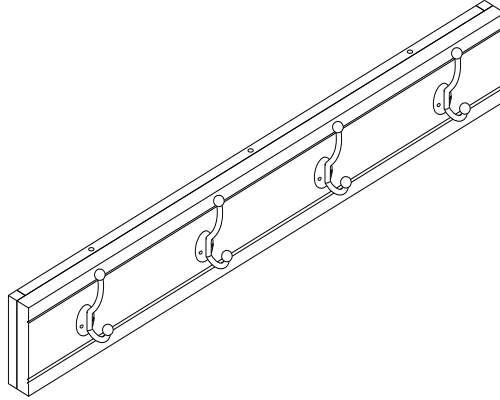


Coat Hook

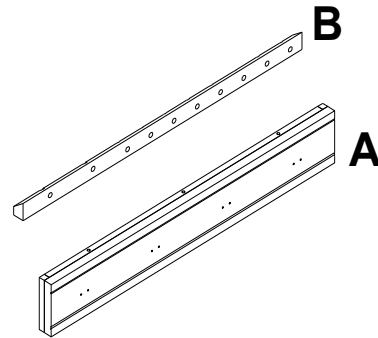


Thank you for purchasing our Coat Hook. We have found it helpful to have a second person present during the assembly process.

Hook Shelf w/ Storage Assembly Instructions

Parts

NO.	DRAWING	DESCRIPTION	QTY.
A		HOOK SHELF	1
B		FENCH CLEAT	1
C		WOOD SCREW	6
D		HOOK	4
E		HOOK SCREW	8



Step 1

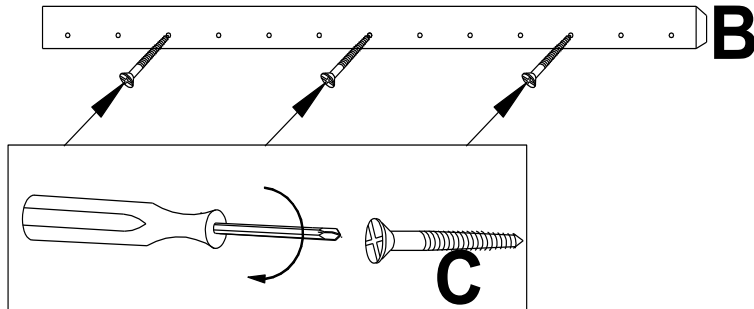
Read through these instructions thoroughly before beginning assembly. We have found this to be of great value when assembling this product.

Step 2

Remove all parts and hardware from packing material. Wooden pieces should be placed on a non abrasive surface to prevent damage to the finish.

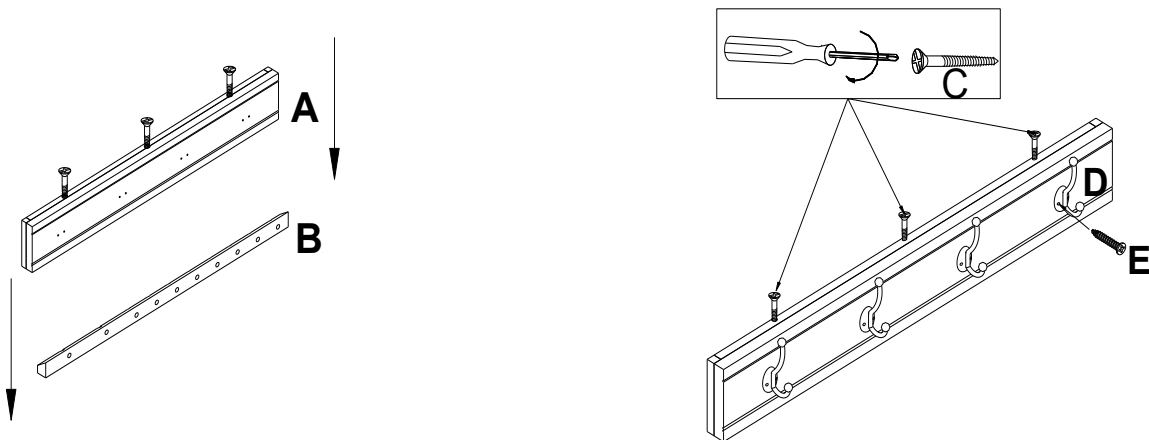
Step 3

Remove the French Cleat (B) from the back of the Coat Hook (A) by unscrewing 3 pre-installed Wood Screws (C). Locate studs behind drywall in desired location. Attach French Cleat (B) to wall studs with 3 Wood Screws (C).



Step 4

Set Coat Hook (A) on French Cleat (B). Secure Coat Hook (A) to French Cleat (B) by installing 3 Wood Screws (C).



CARE

Clean with a non abrasive cloth using a mild soap. Make sure to wipe dry.

REPLACEMENT PARTS:

For best service, to order replacement parts go to **our website**. Use the order form on the web site to order your replacement parts. **Thank You!**