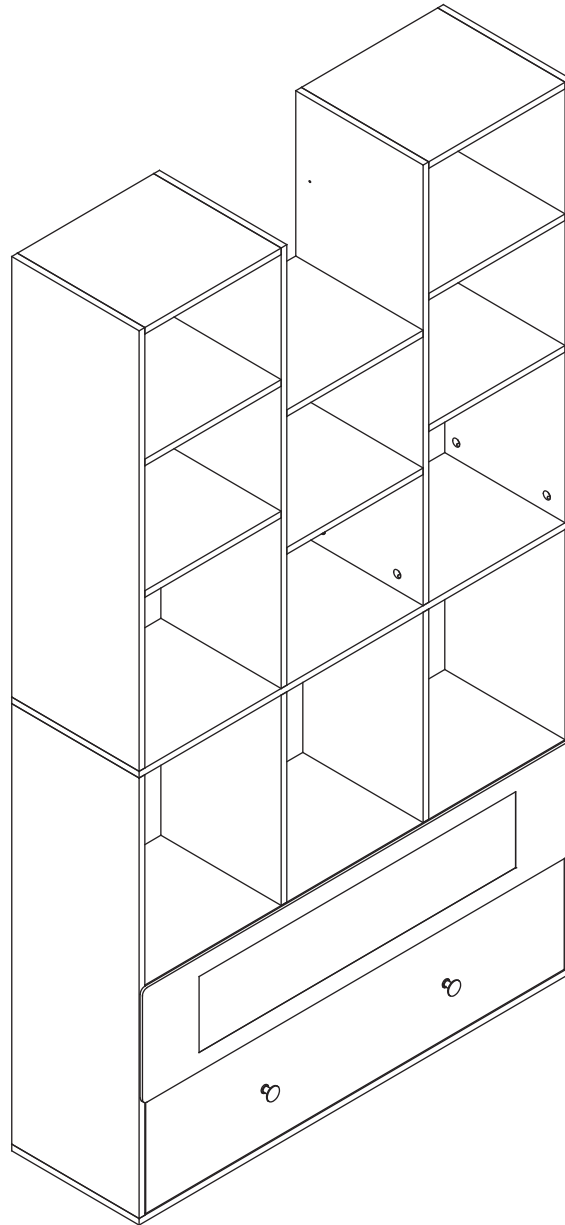


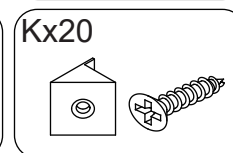
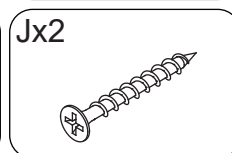
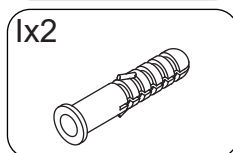
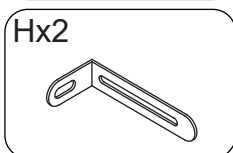
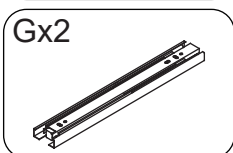
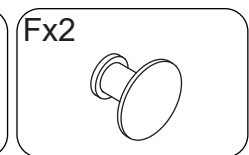
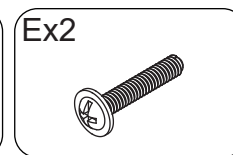
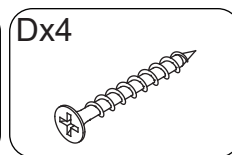
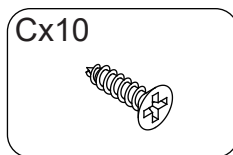
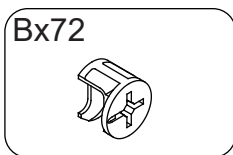
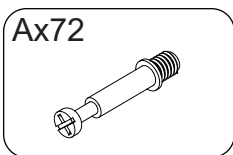
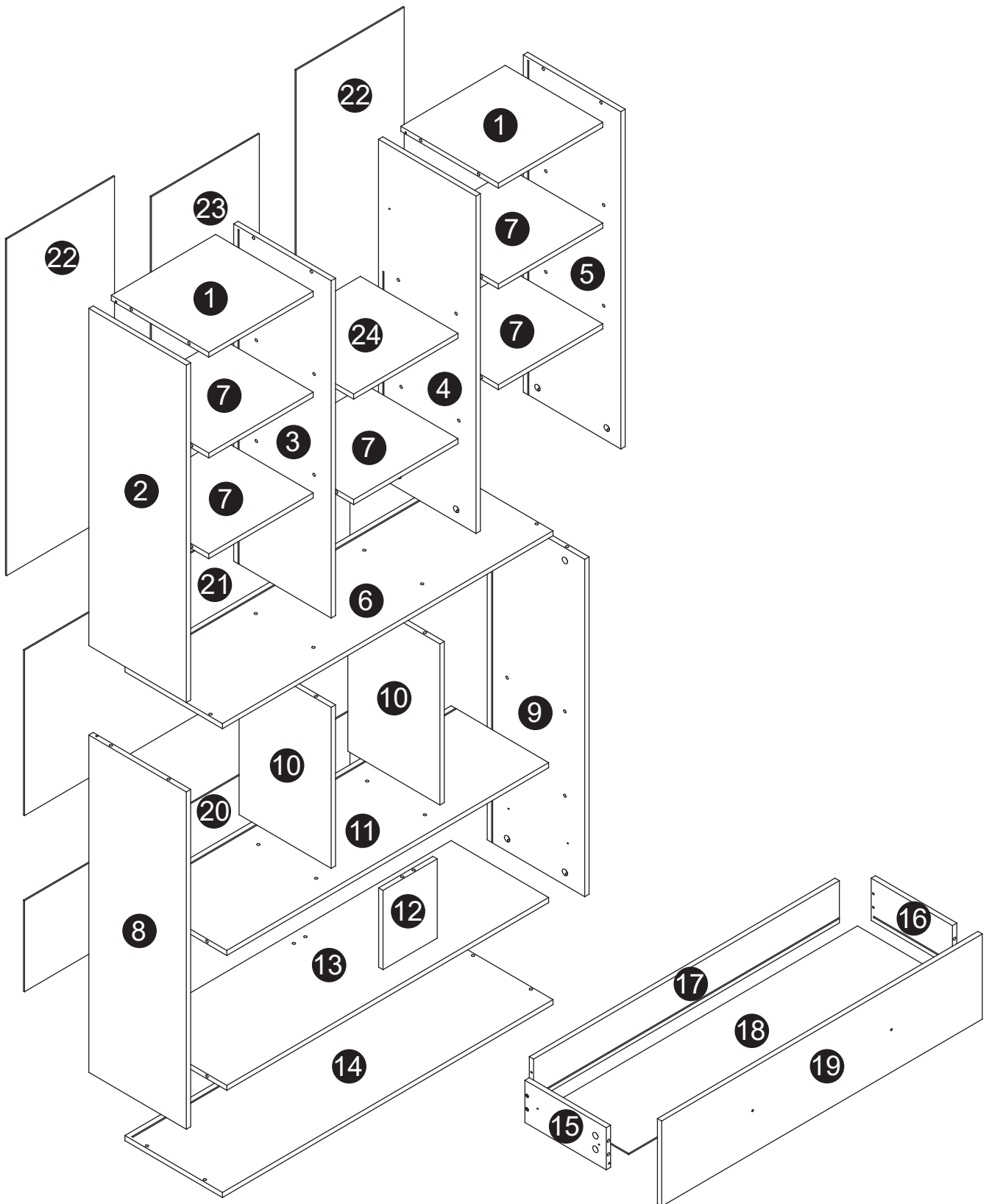
# ASSEMBLY INSTRUCTIONS



This product ships in **TWO PACKAGES**: one for the wooden board frame and one for the fireplace. They may not arrive on the same day. If you only receive one package, please wait for the other.

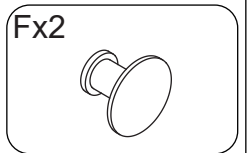
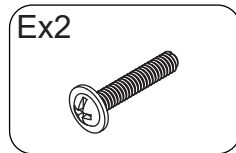
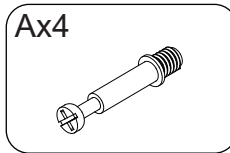
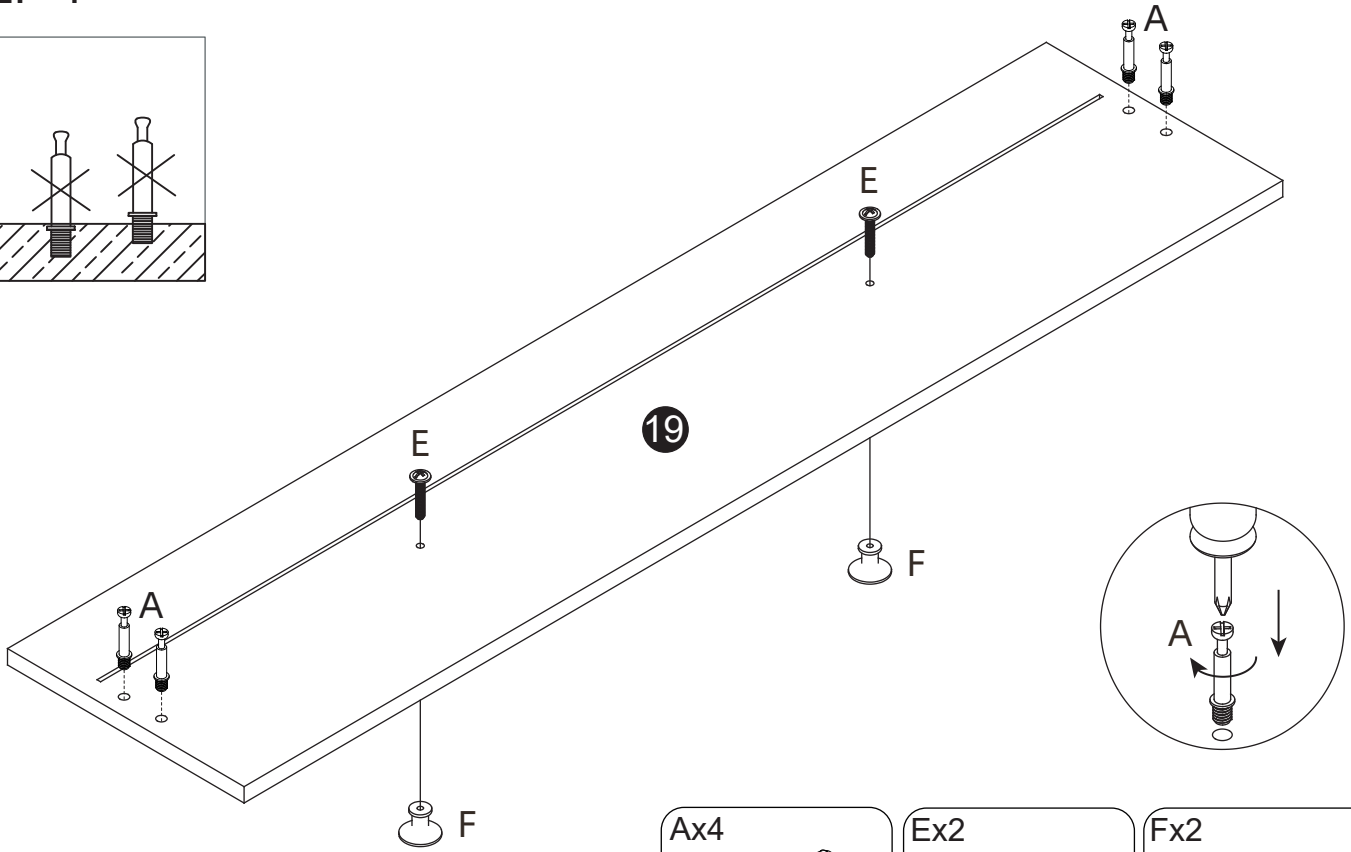
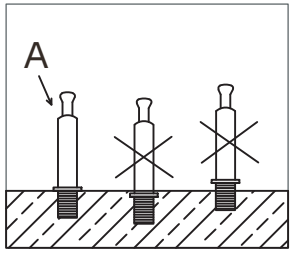
Recommend **TWO PEOPLE** for installation

# Parts list

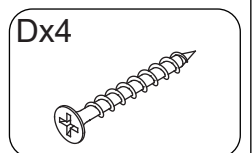
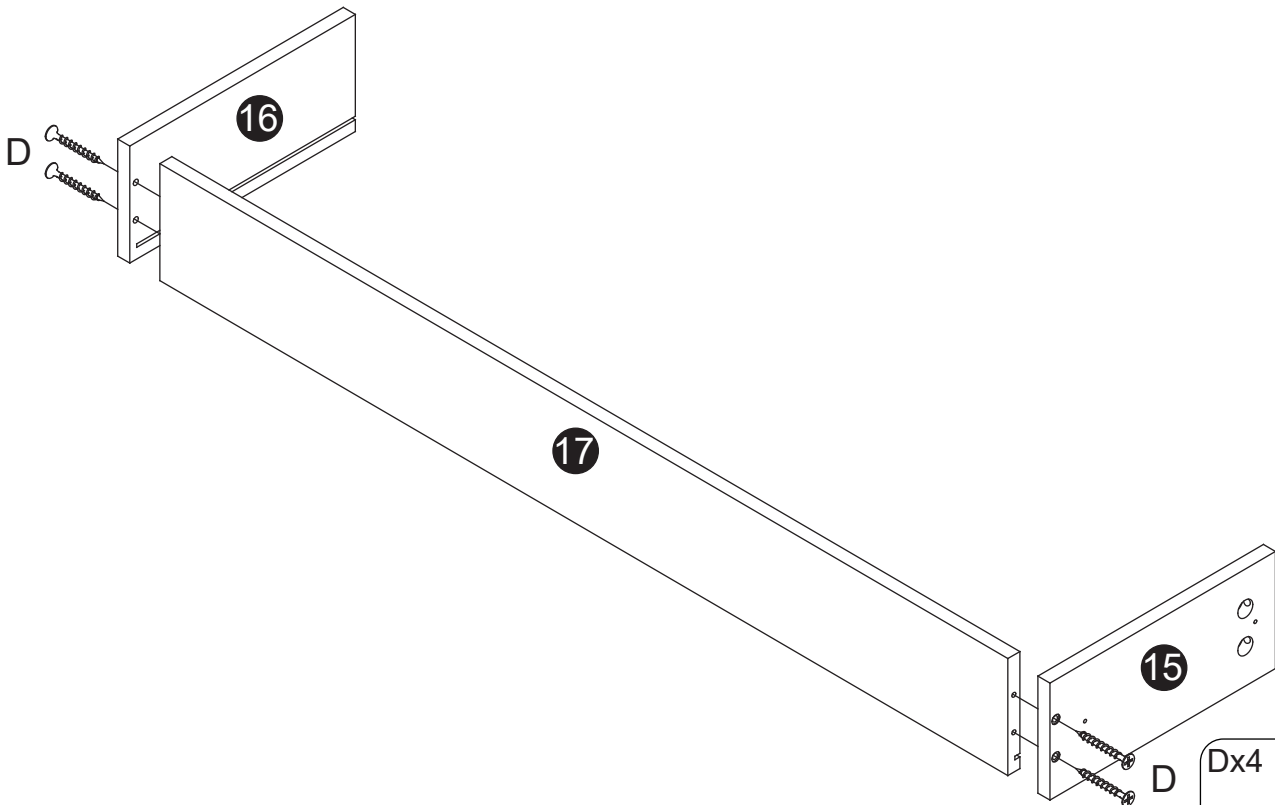


# Installation steps

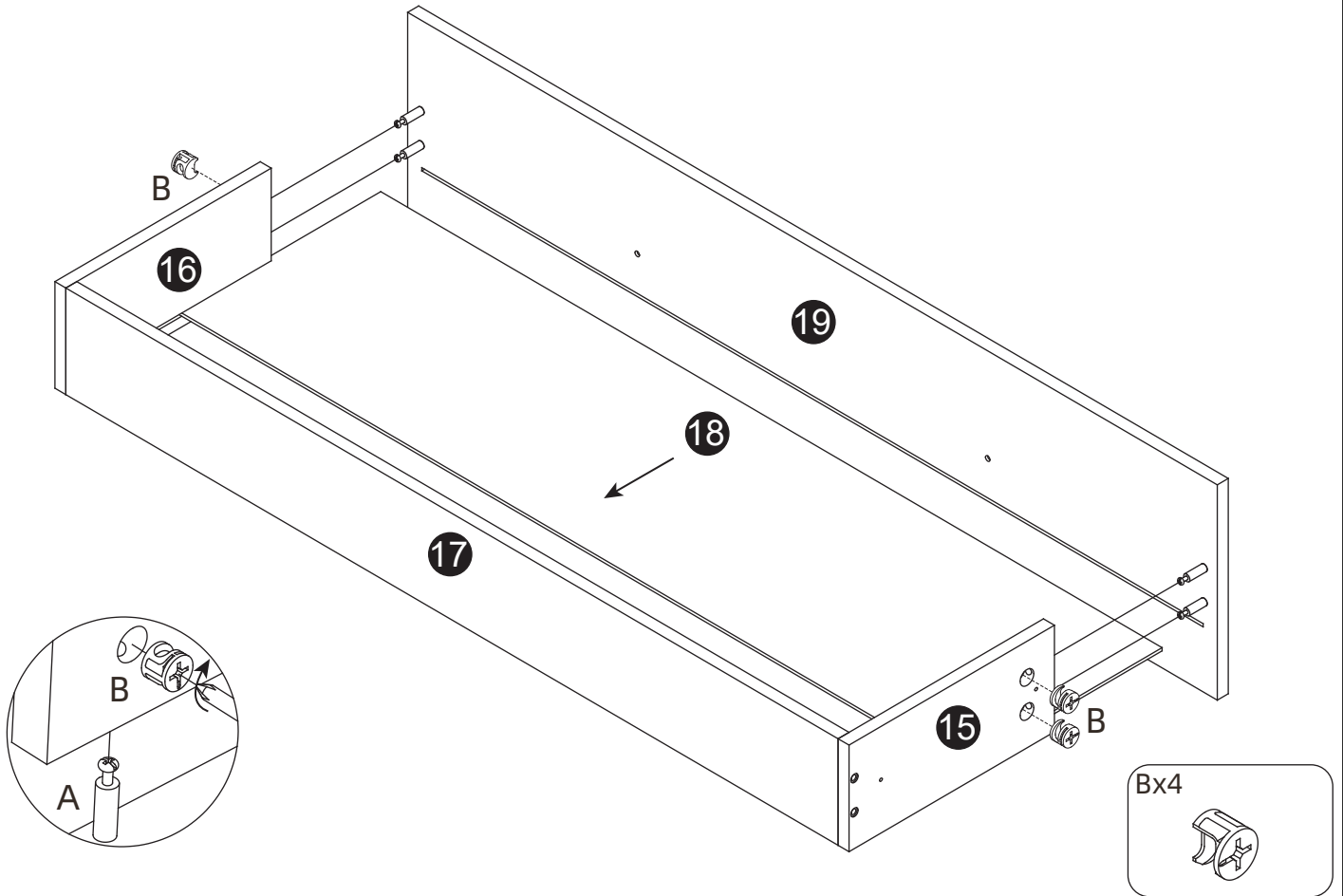
## STEP 1



## STEP 2

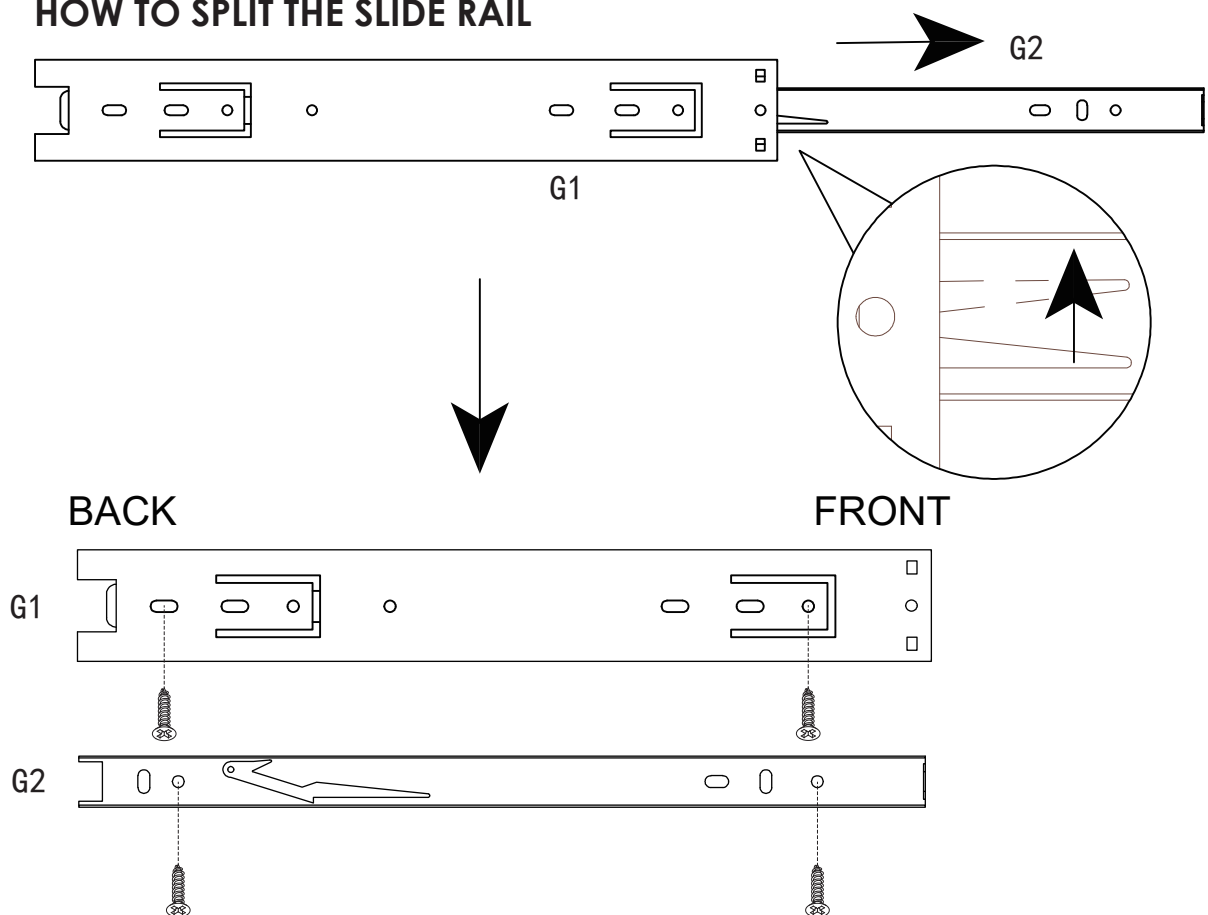


## STEP 3



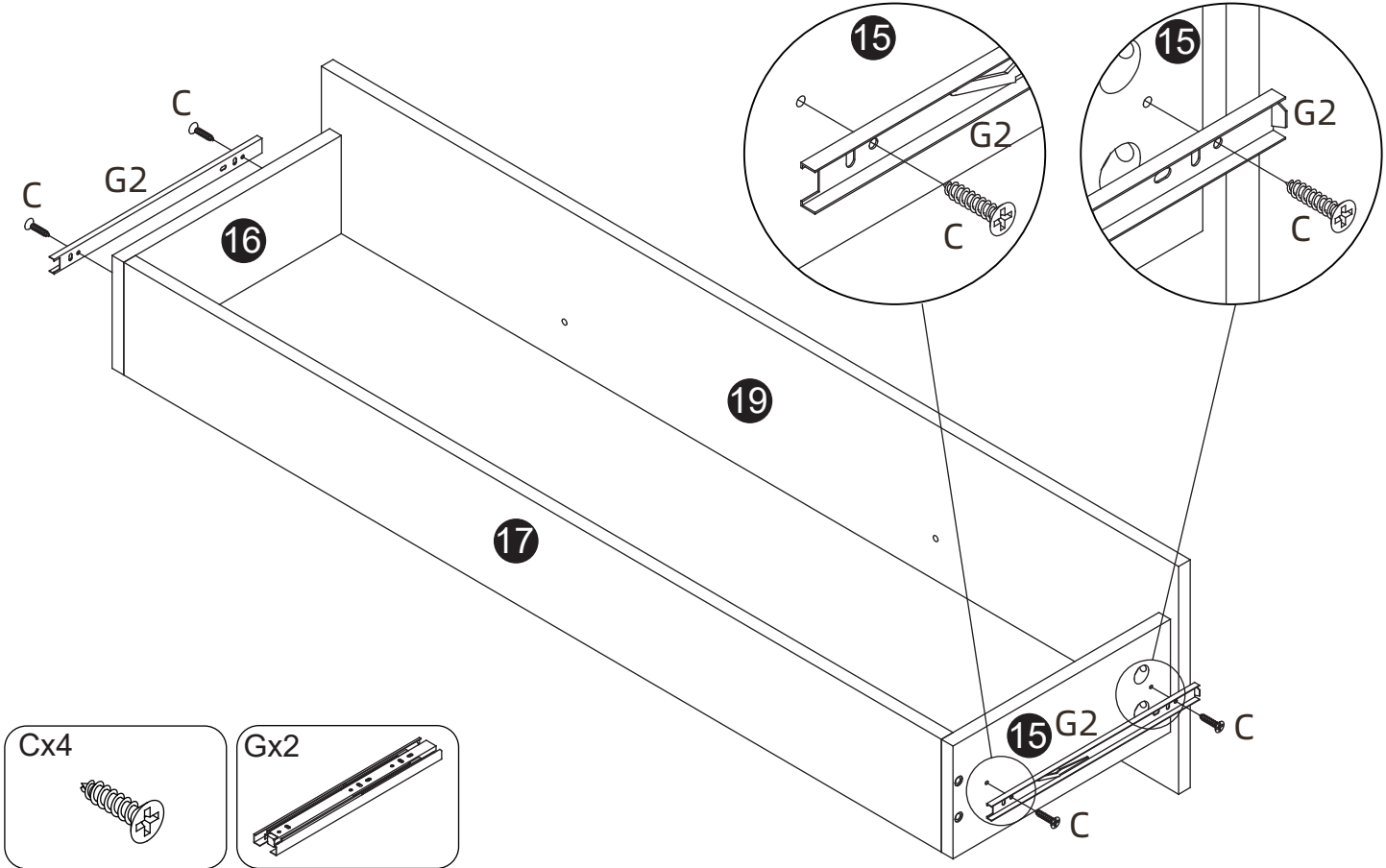
## STEP 4

### HOW TO SPLIT THE SLIDE RAIL

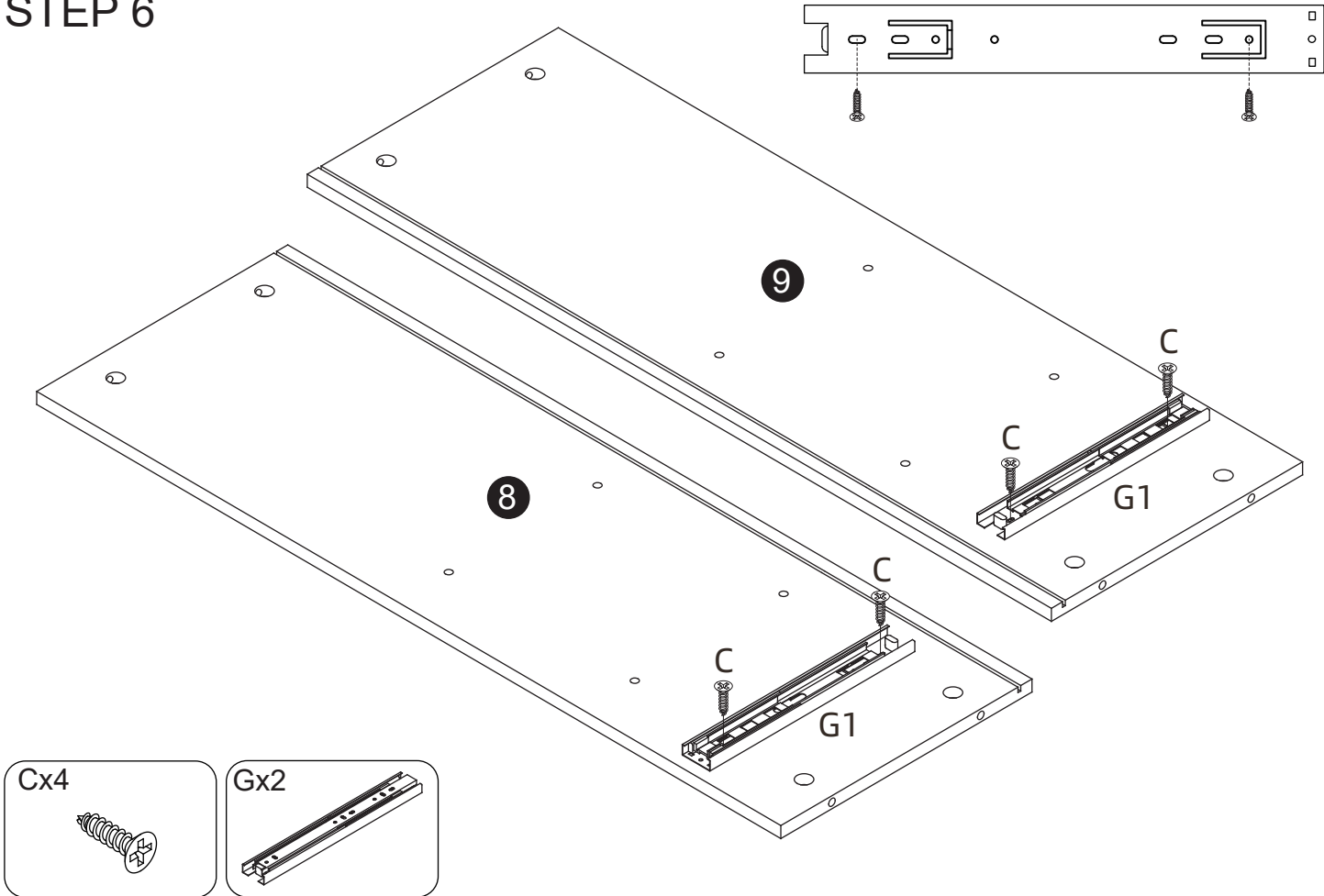


# Installation steps

## STEP 5

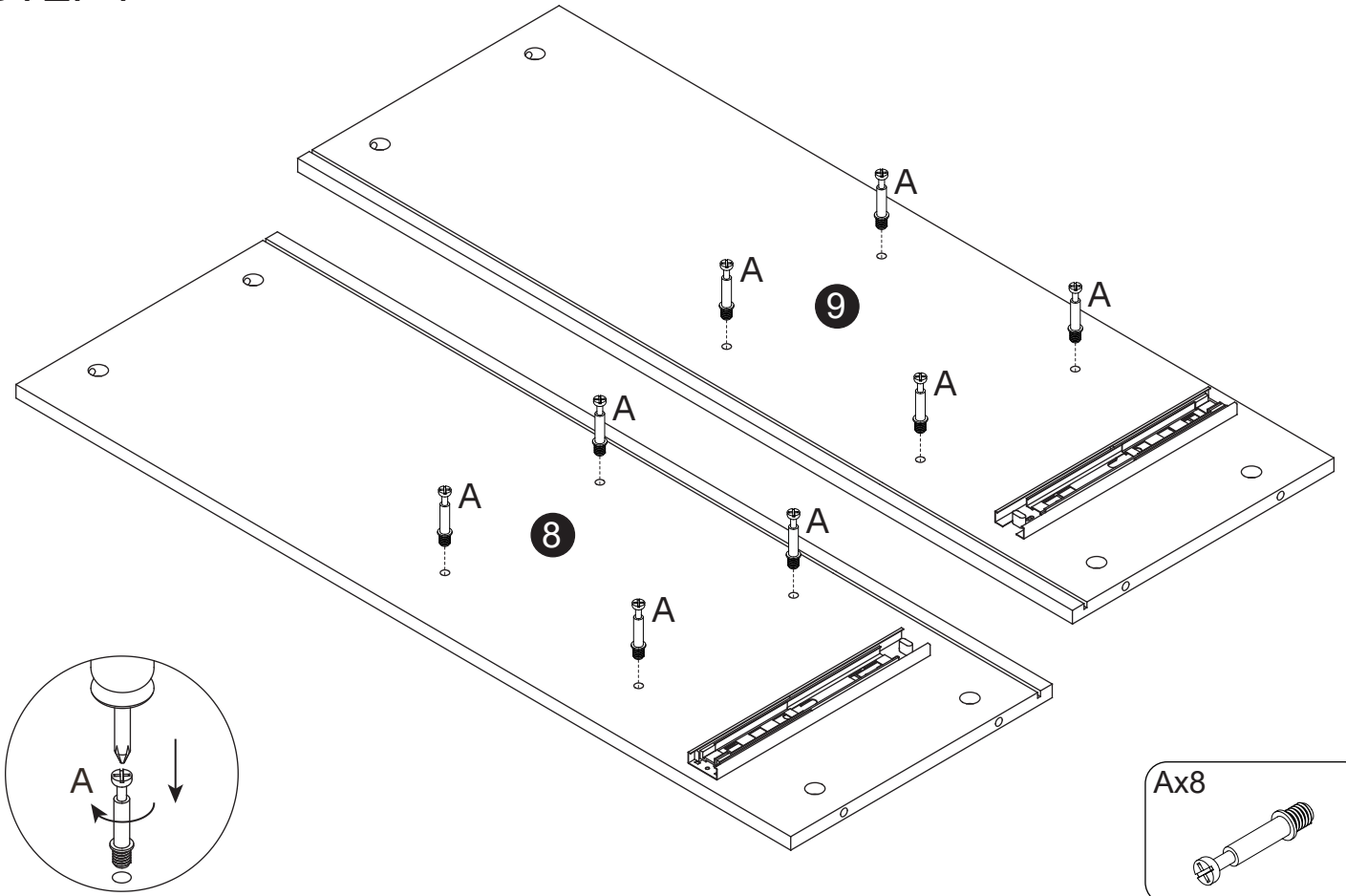


## STEP 6

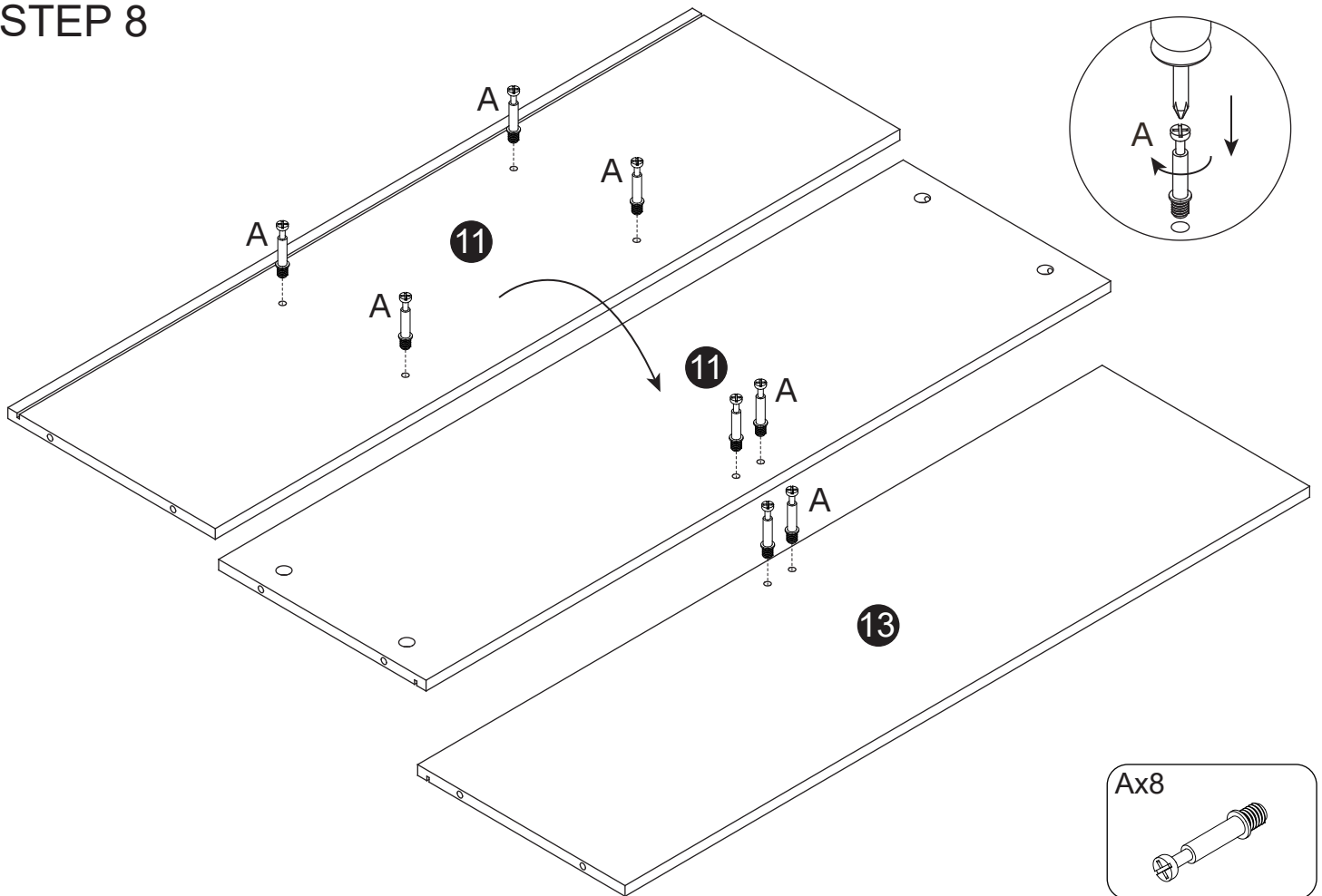


# Installation steps

## STEP 7

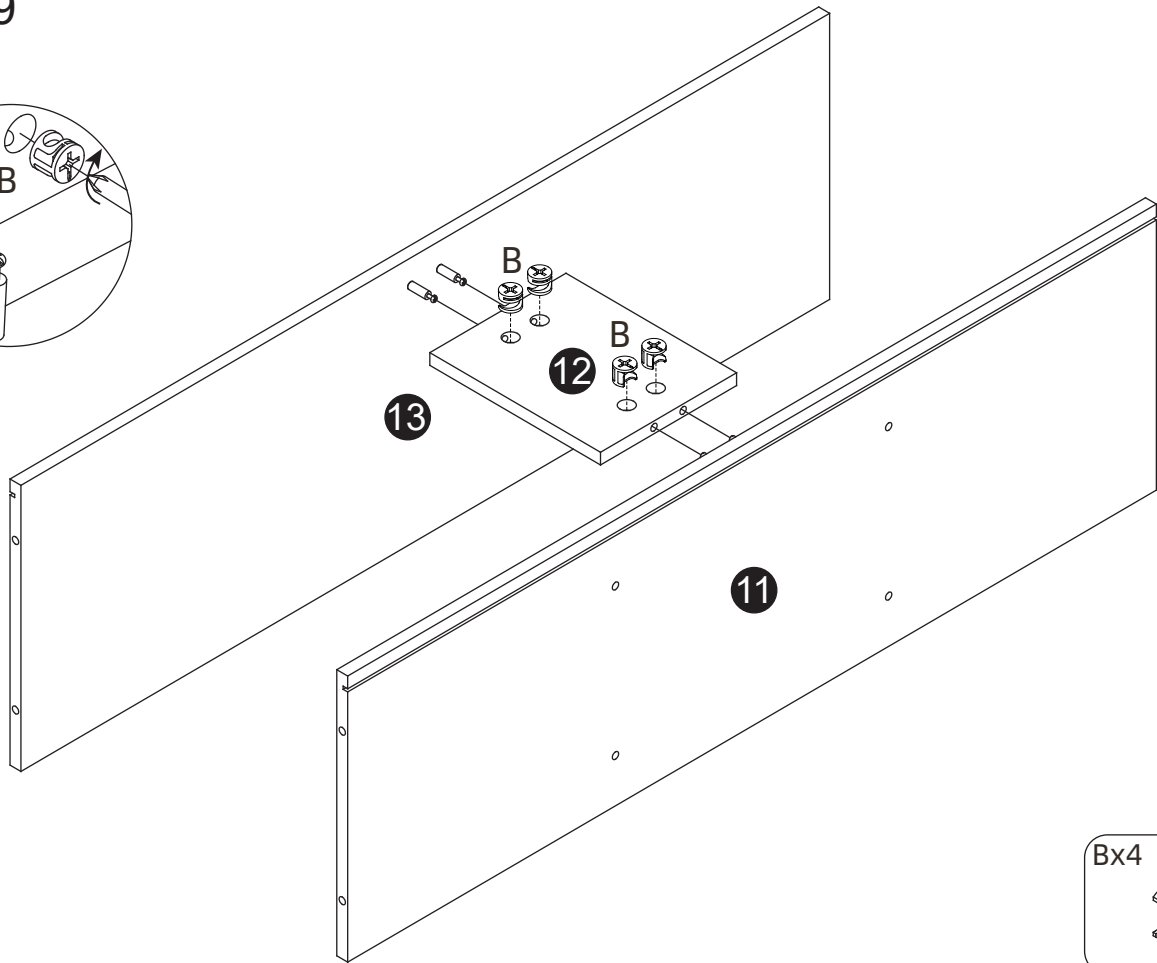
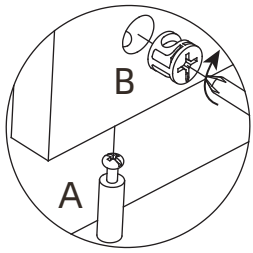


## STEP 8



# Installation steps

## STEP 9

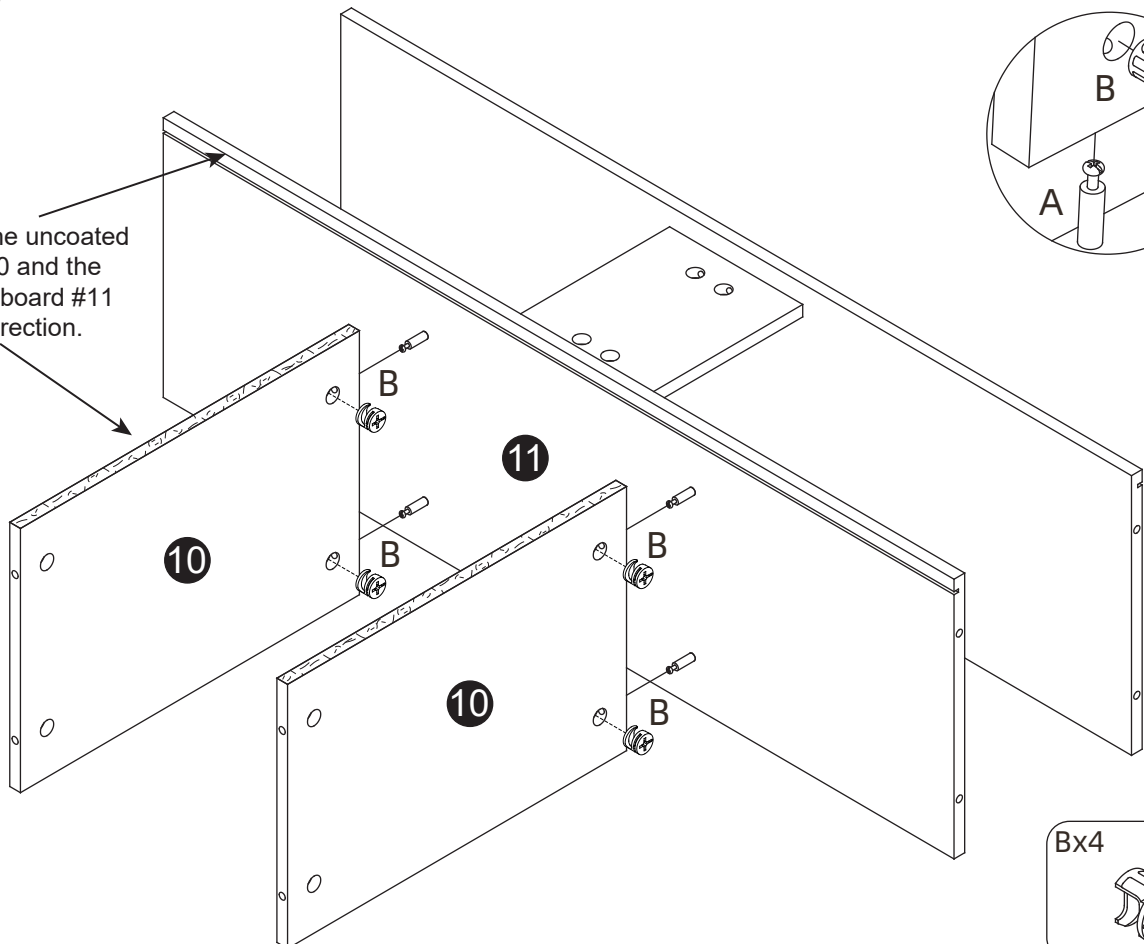
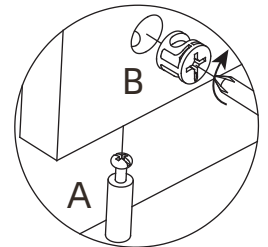


Bx4



## STEP 10

Please ensure the uncoated side of board #10 and the indented side of board #11 face the same direction.

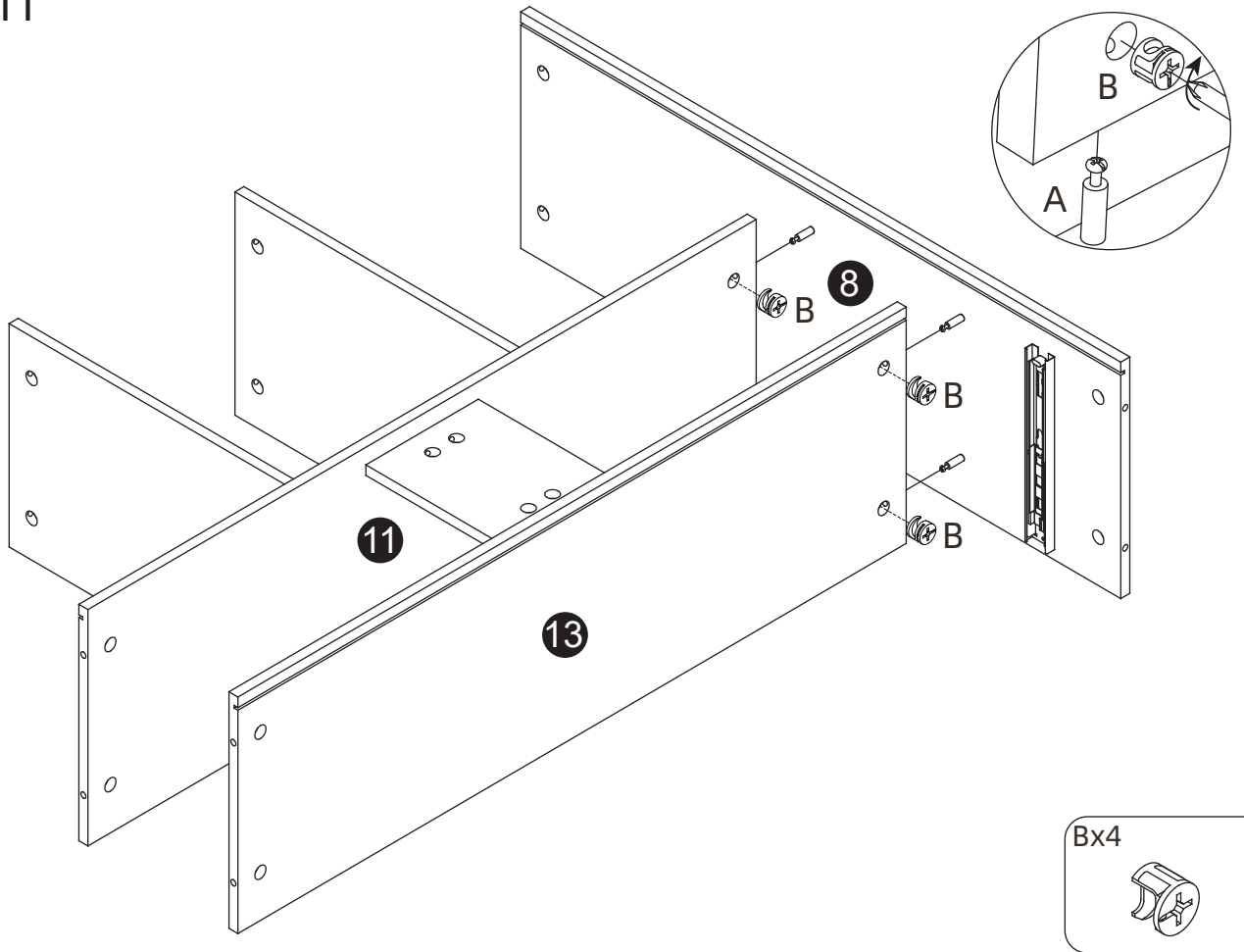


Bx4

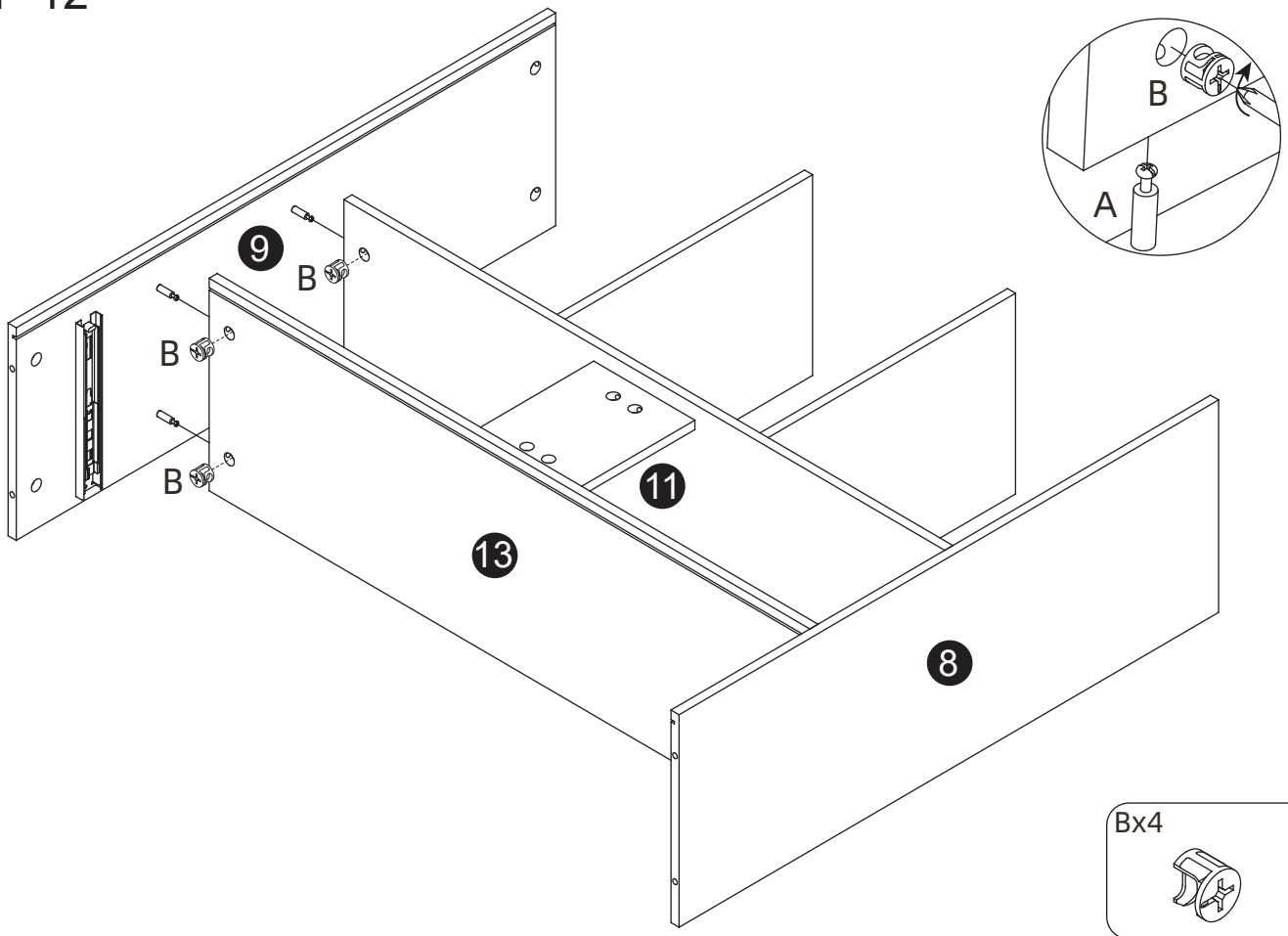


# Installation steps

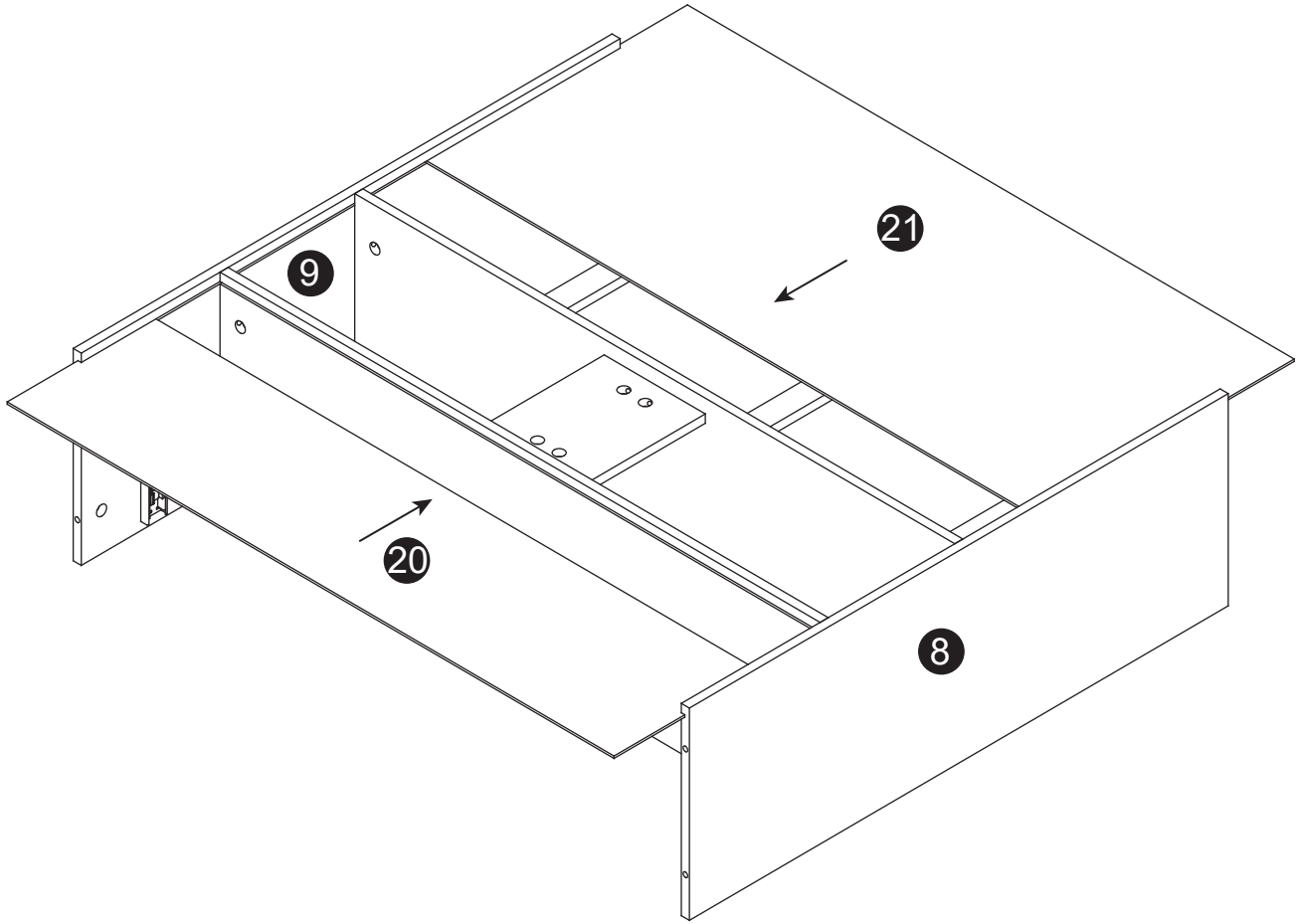
## STEP 11



## STEP 12

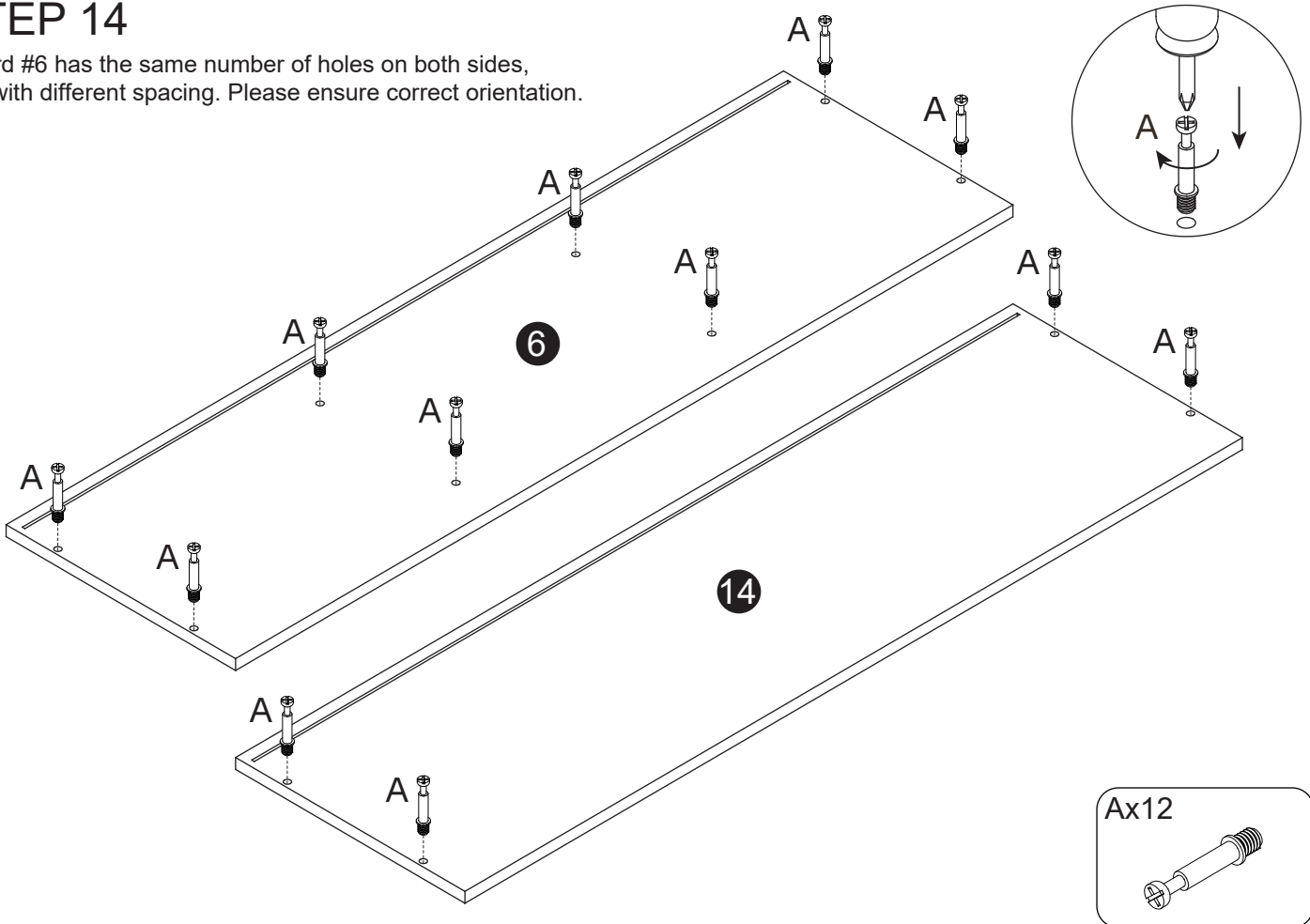


## STEP 13



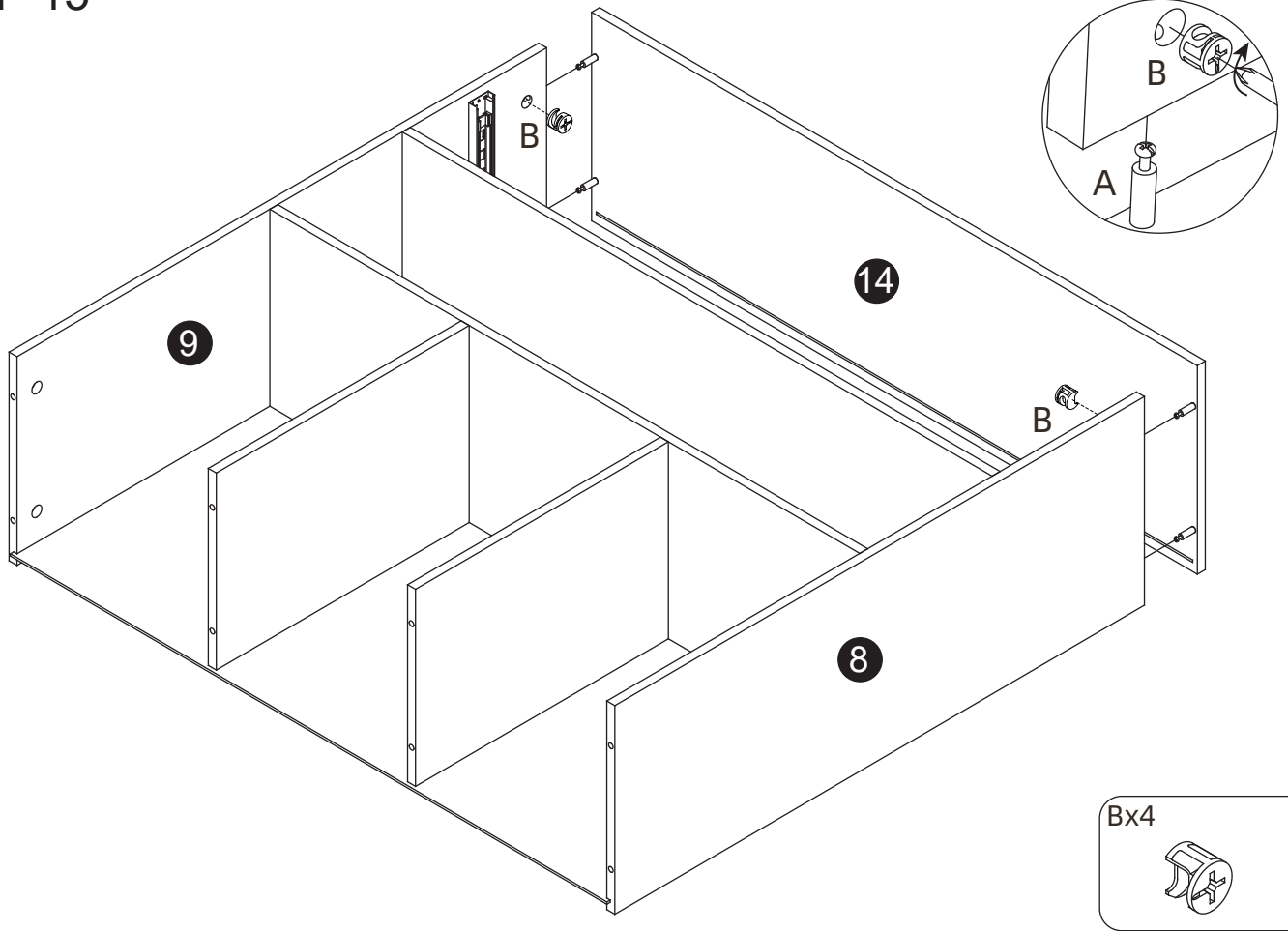
## STEP 14

Board #6 has the same number of holes on both sides, but with different spacing. Please ensure correct orientation.

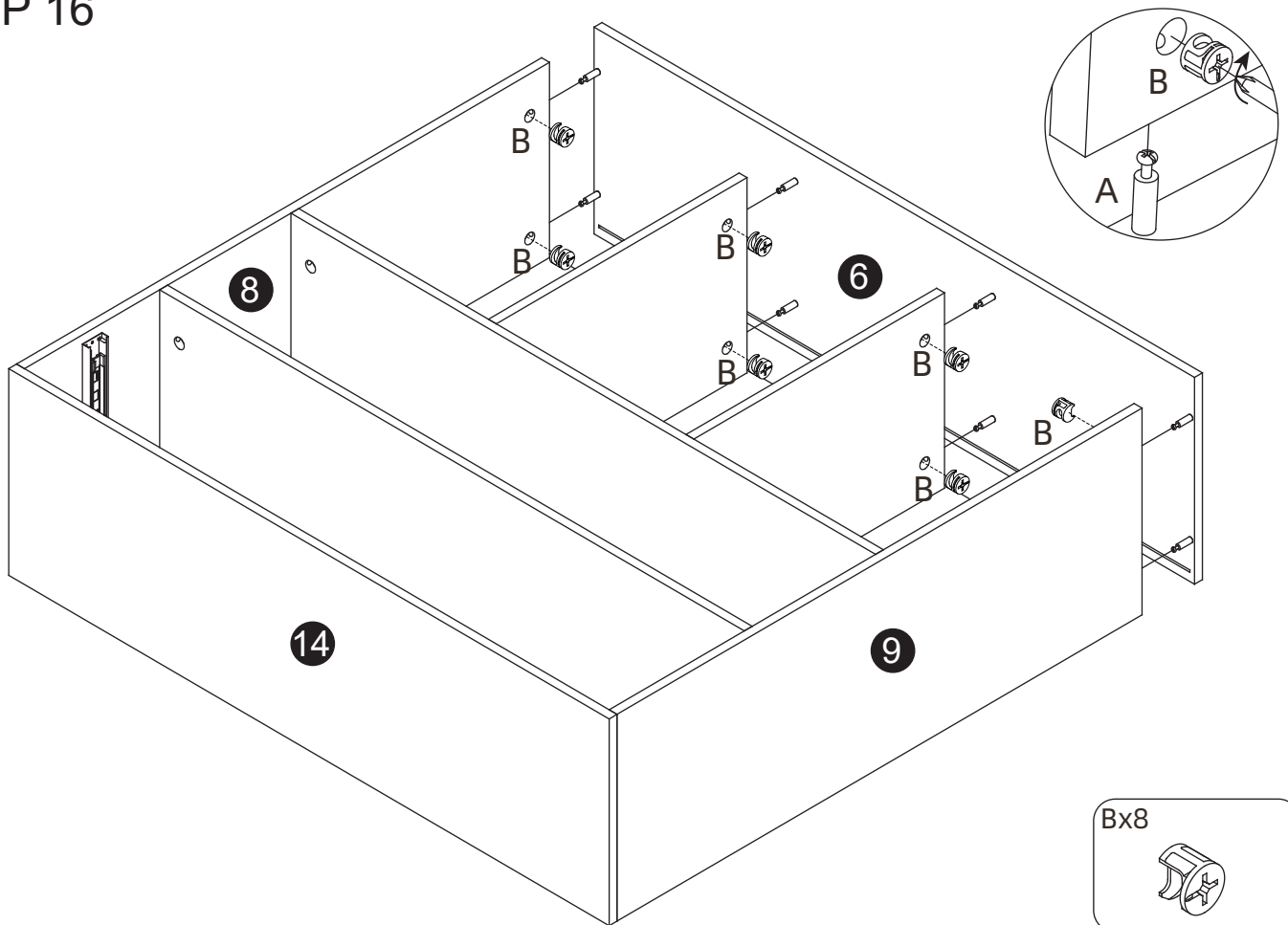


# Installation steps

## STEP 15

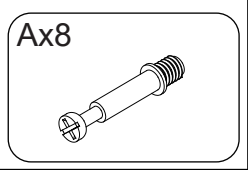
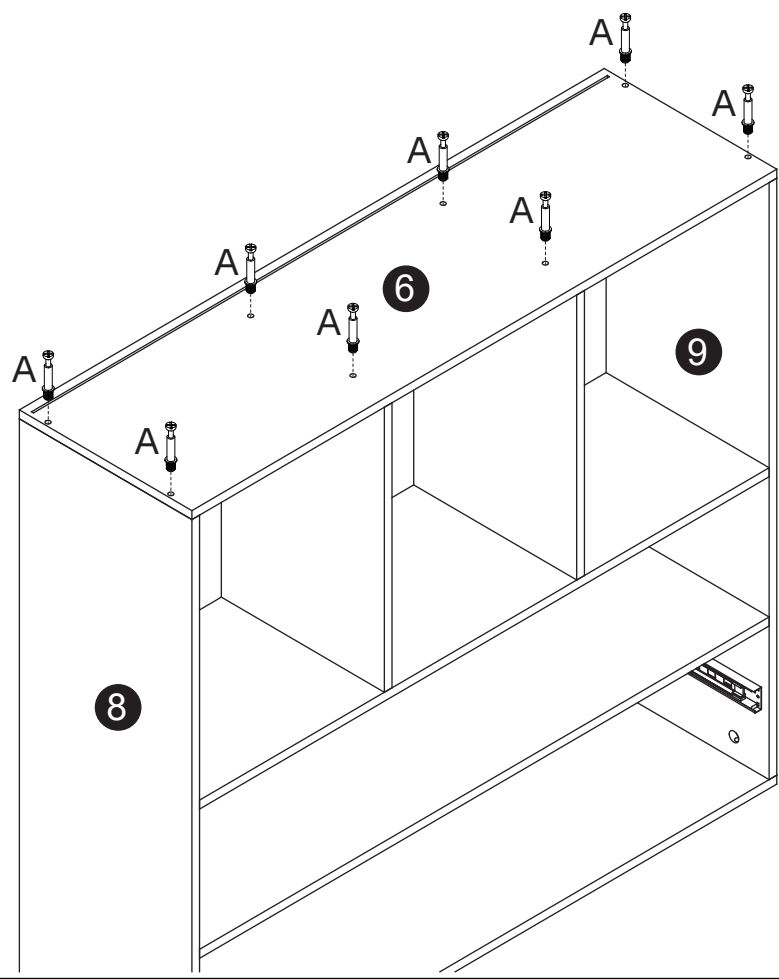


## STEP 16

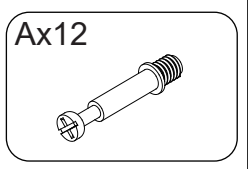
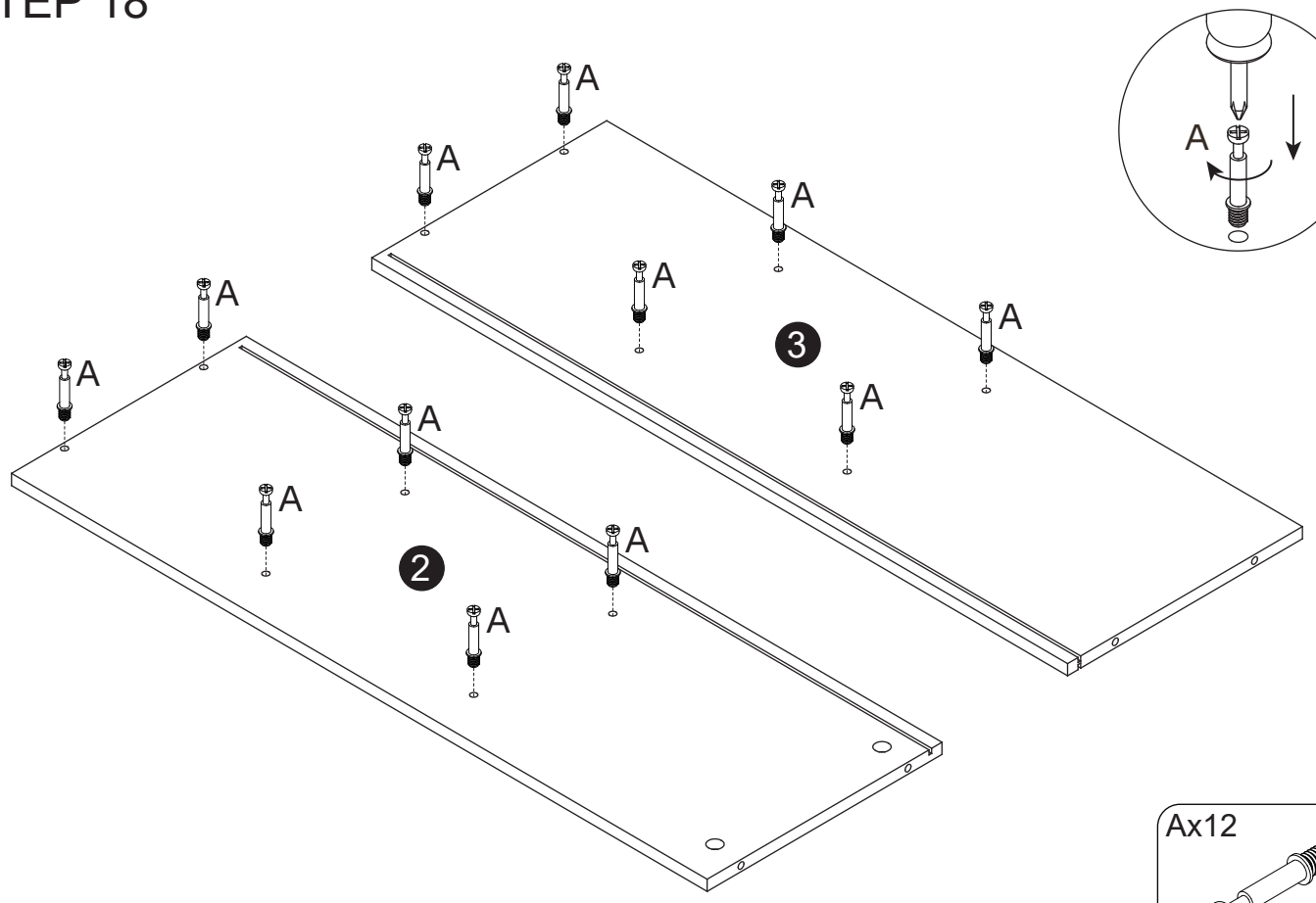


# Installation steps

## STEP 17

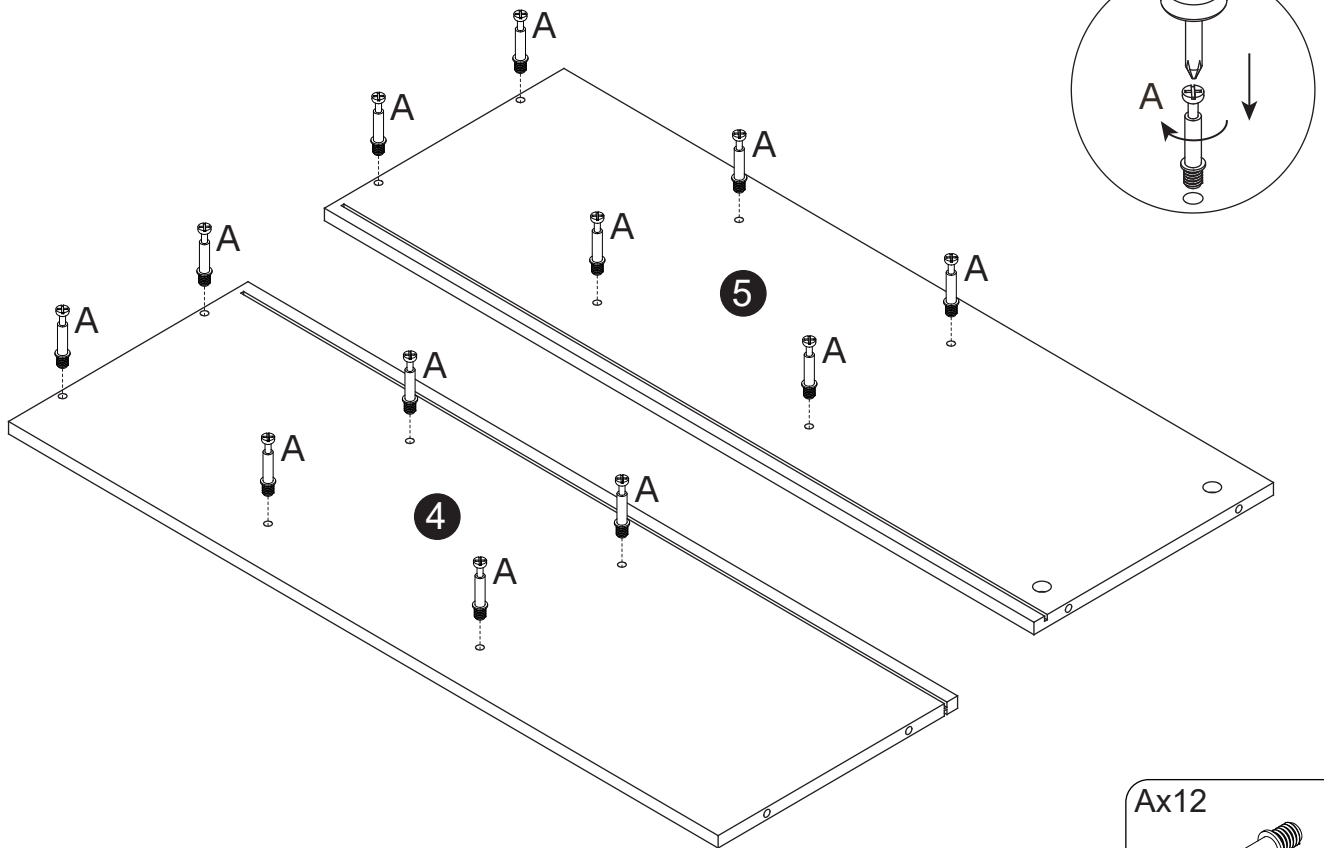


## STEP 18

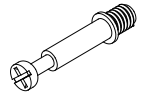


# Installation steps

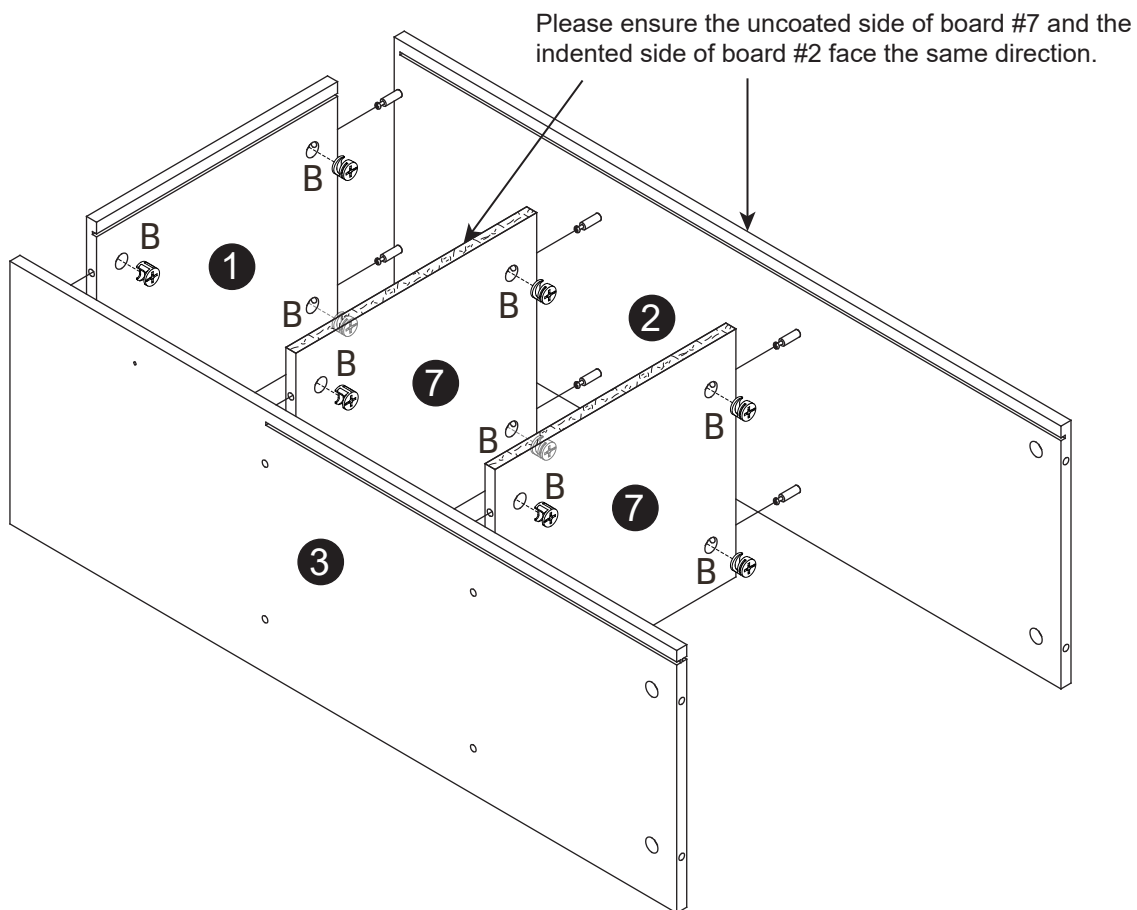
## STEP 19



Ax12



## STEP 20

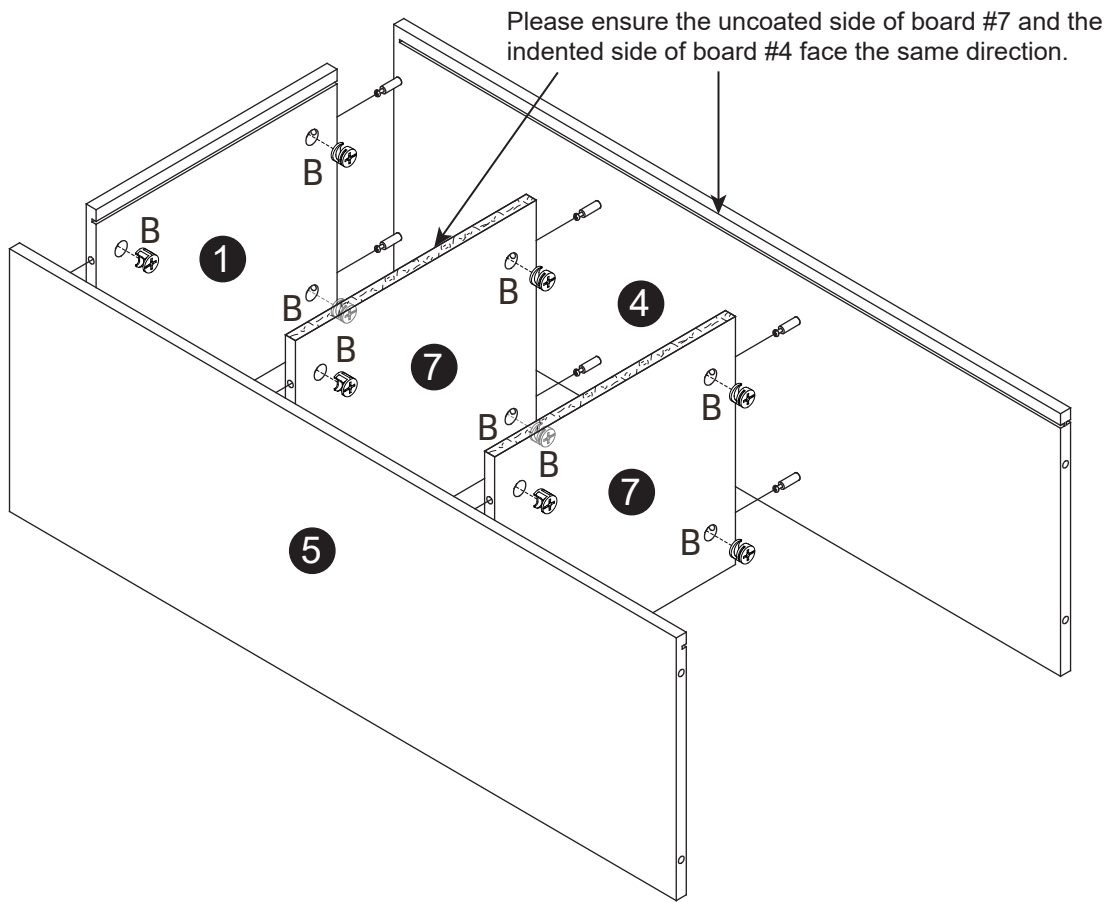


Bx12



# Installation steps

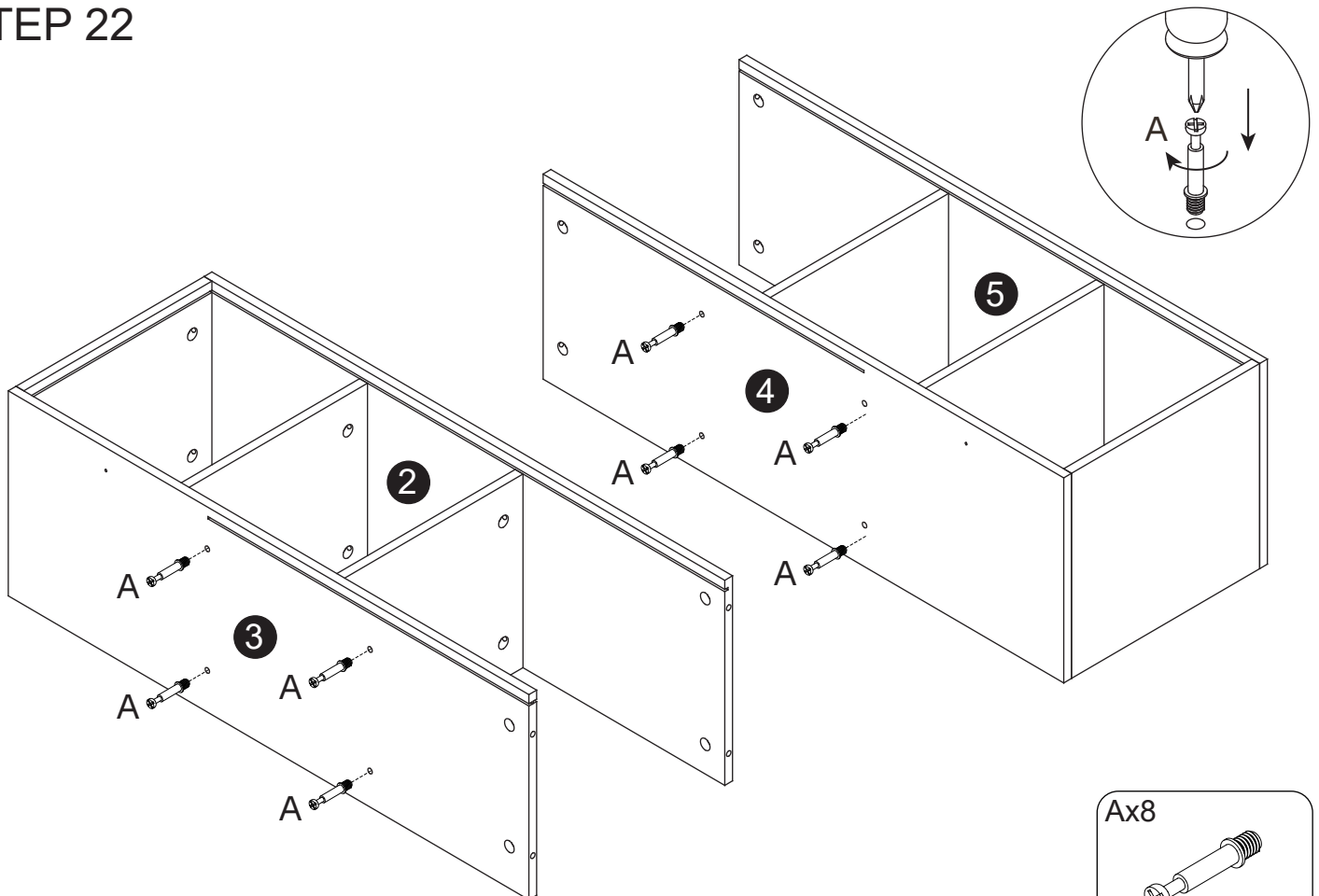
## STEP 21



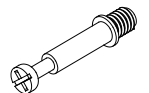
Bx12



## STEP 22

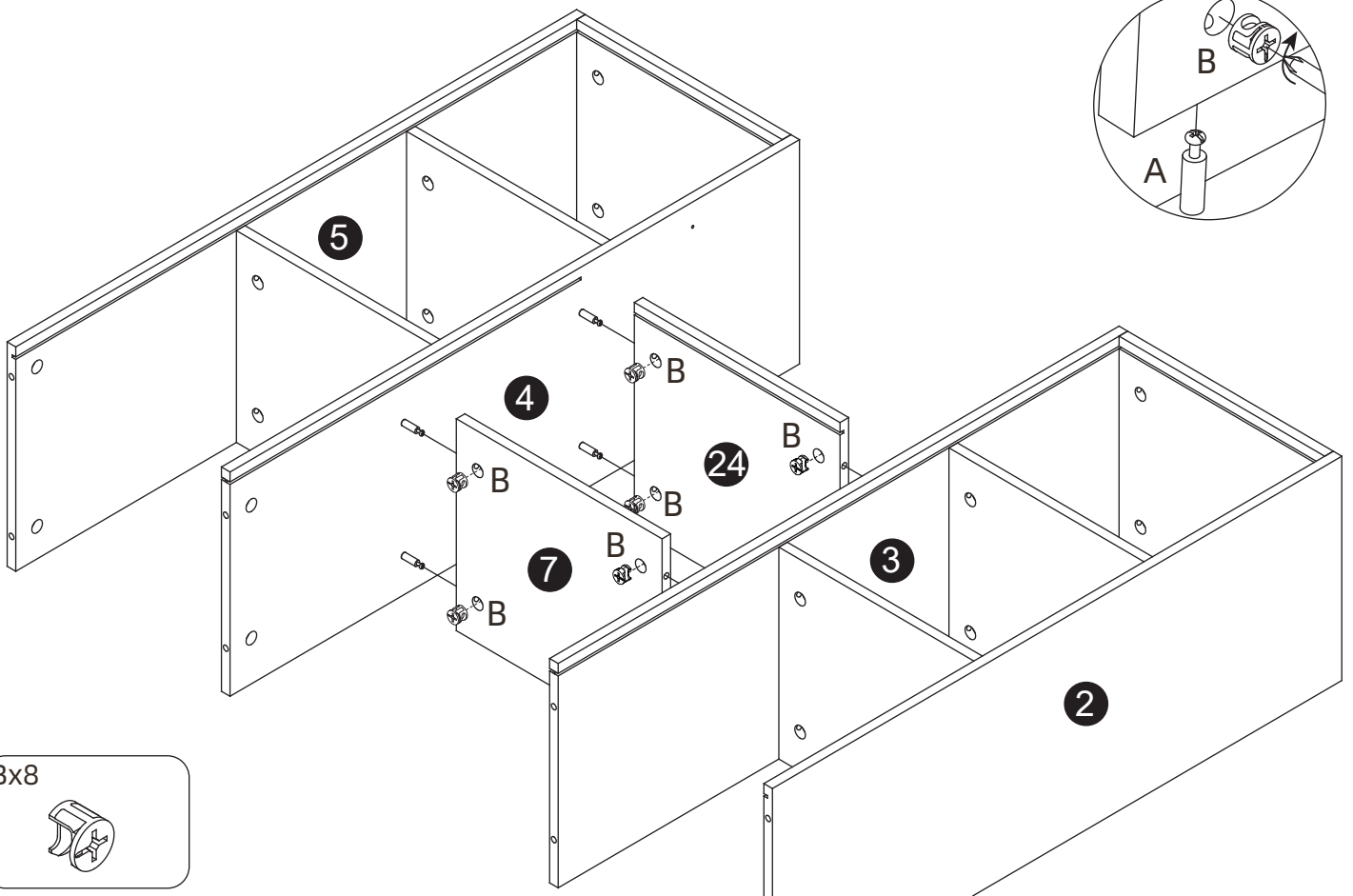


Ax8

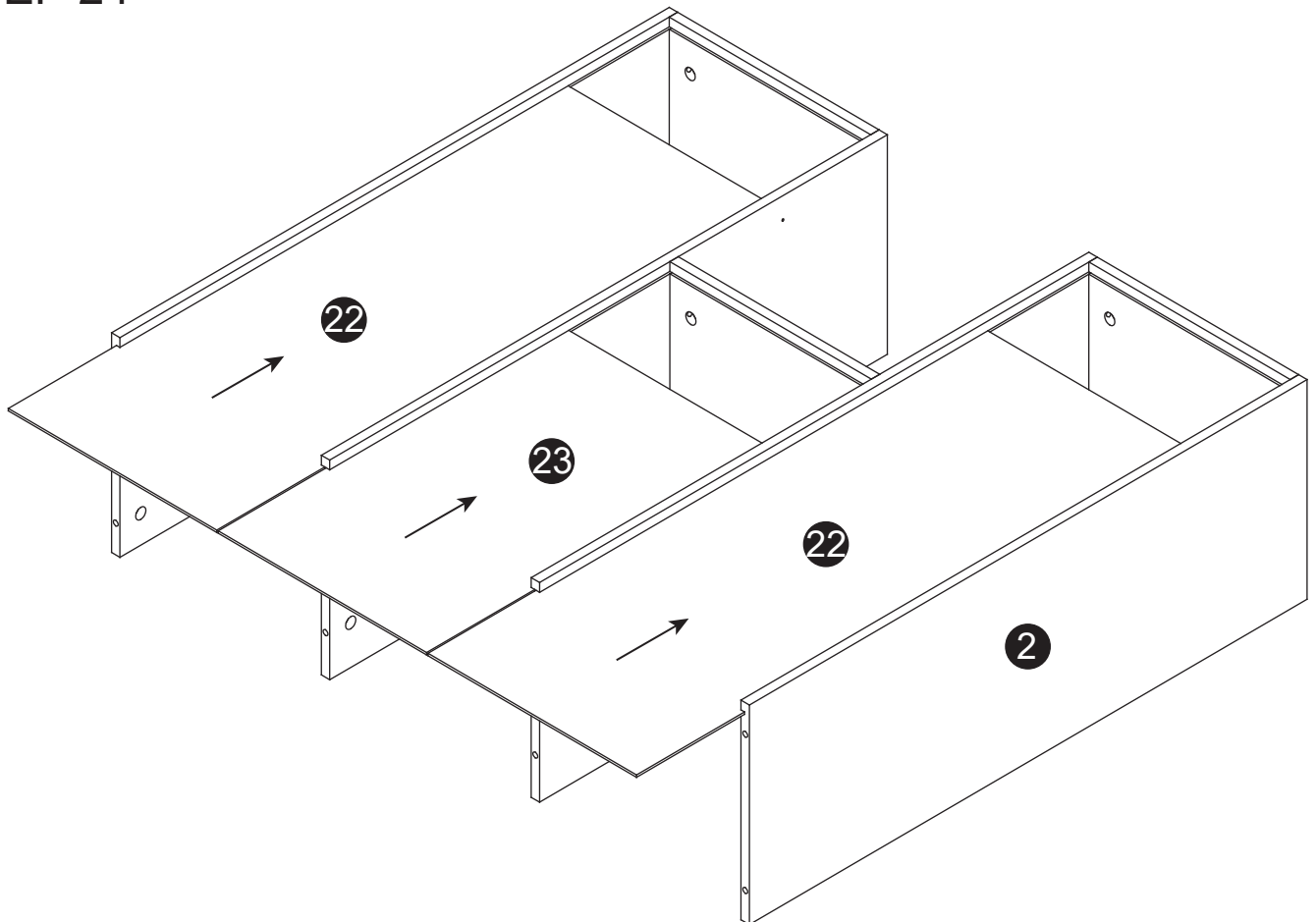


# Installation steps

## STEP 23



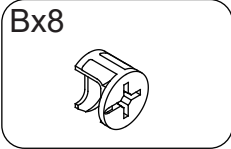
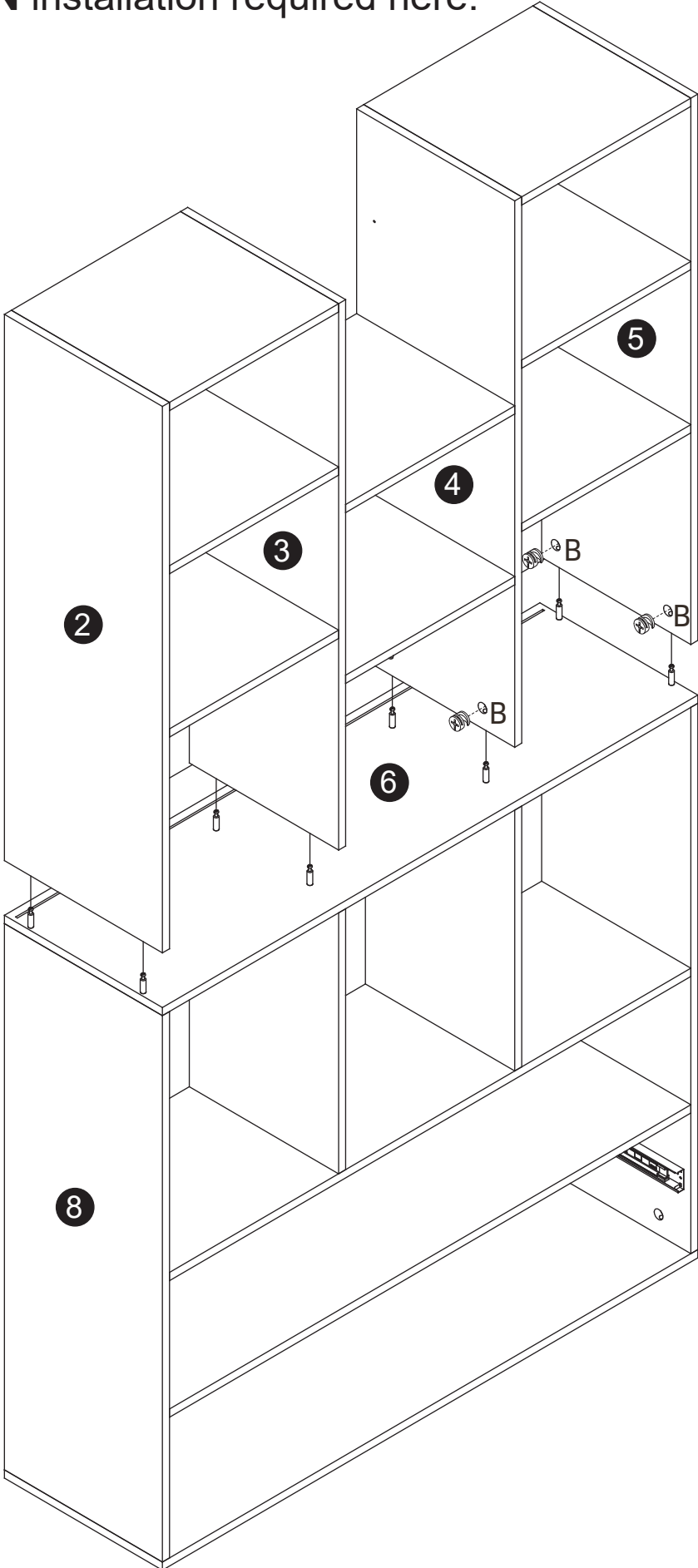
## STEP 24



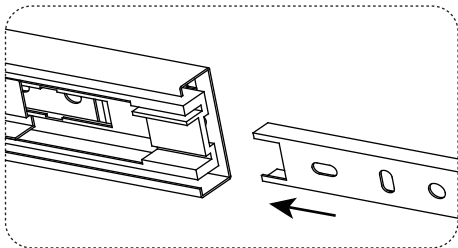
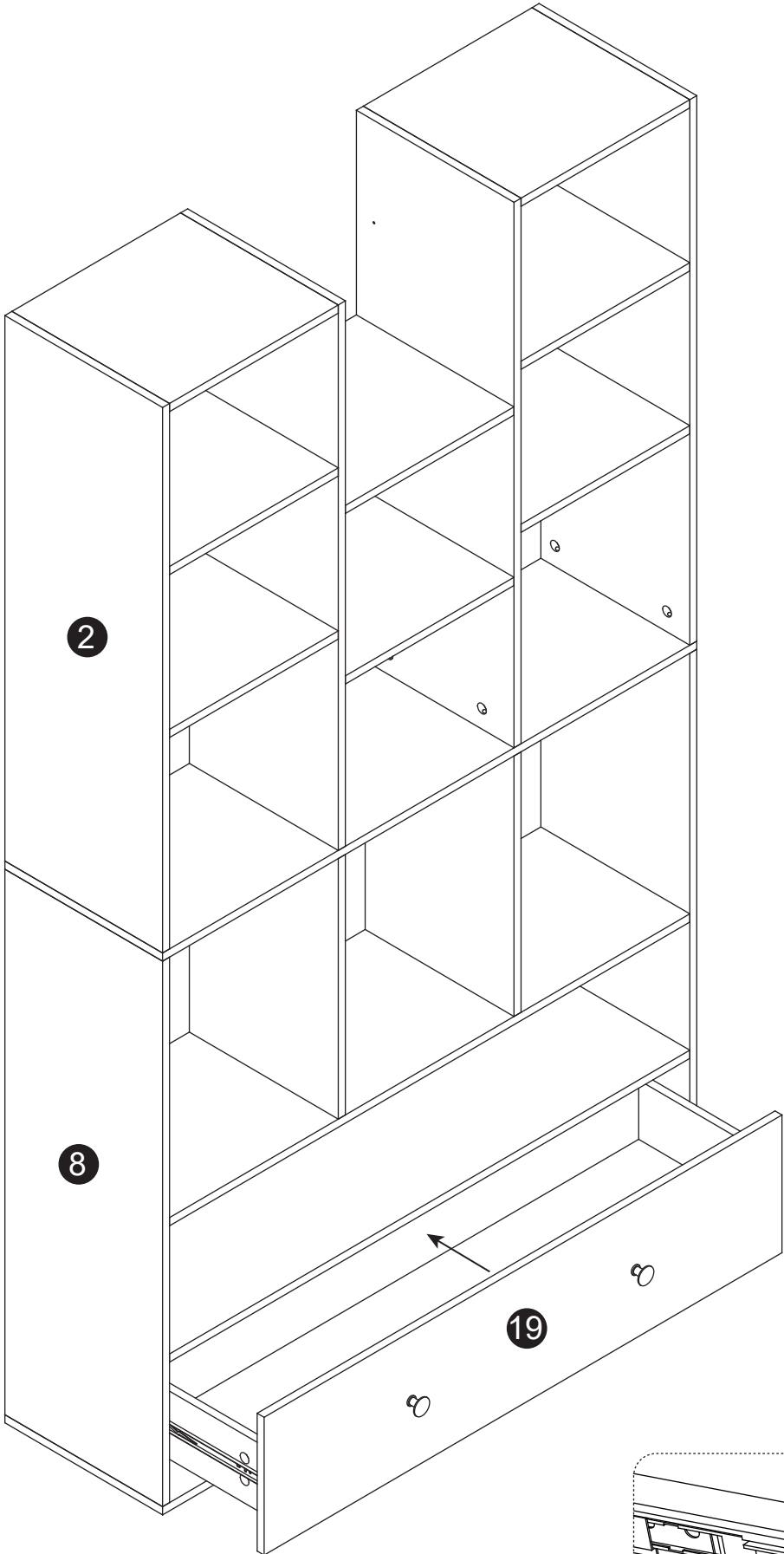
# Installation steps

## STEP 25

**TWO-PERSON** installation required here.

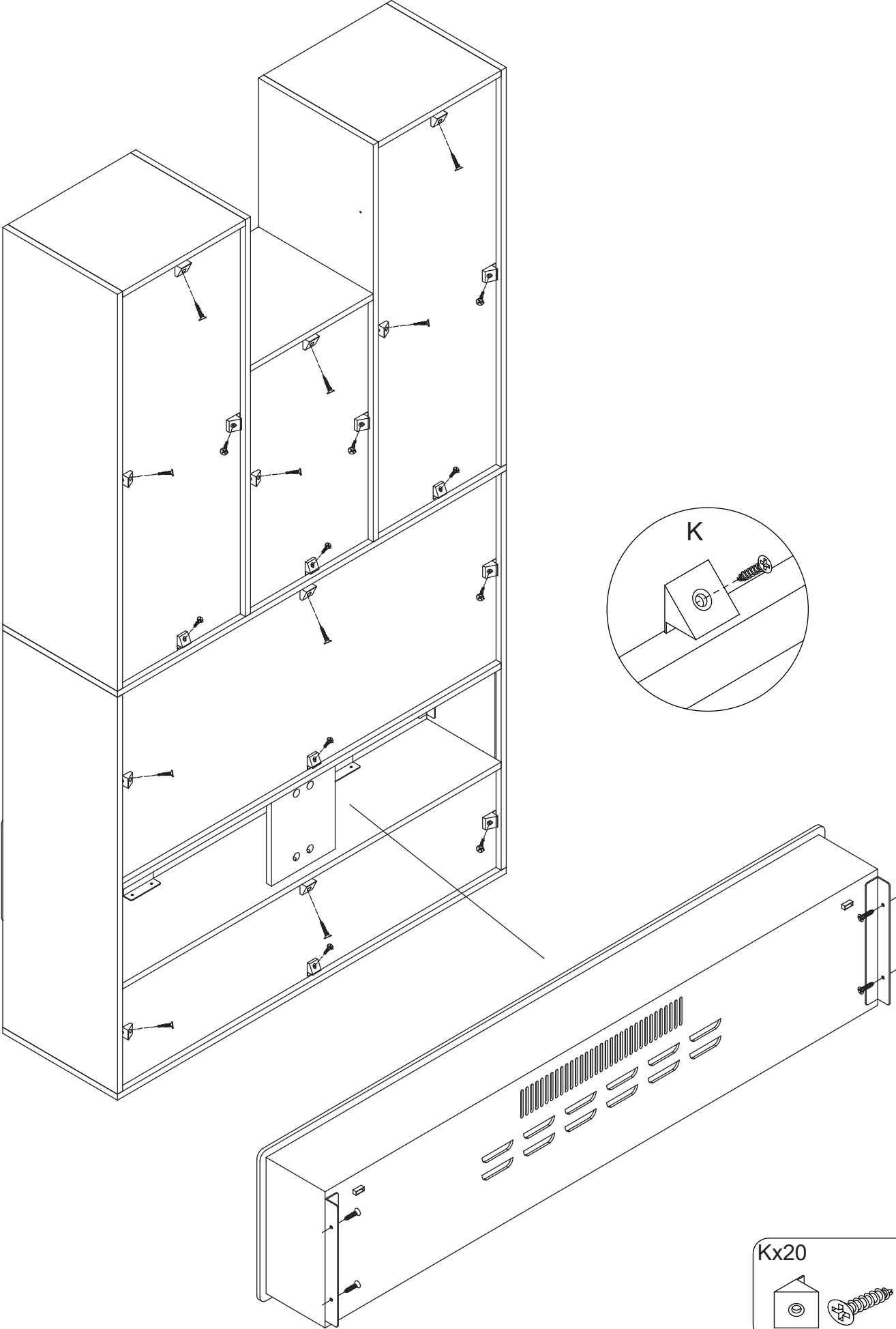


## STEP 26

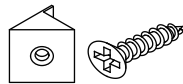




## STEP 28



Kx20



# Installation steps

## STEP 29

Part H is anti-tipping accessories which is optional installation part.

