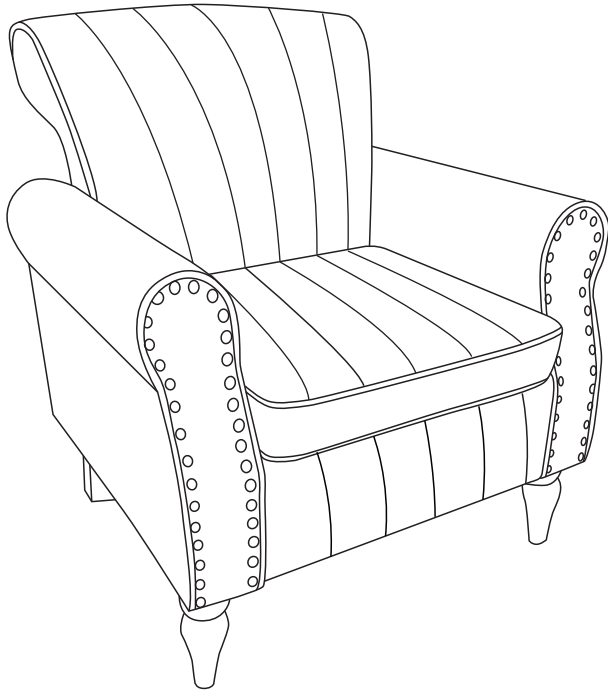


Assembly Instruction



Assembly Instructions

INSTALLATION GUIDE

ONE PERSON ASSEMBLY: 10 MINUTES (APPROXIMATE)

TOOLS REQUIRED: ALLEN KEY (PROVIDED)

BEFORE ASSEMBLY

1. Remove all packaging materials, staples and packing straps from the carton.
2. Confirm with Parts Checklist.

ATTENTION

1. Leave sufficient room for assembly.
2. Do not assemble on the ground that may hurt the product.
3. Do not over-tighten any fittings as it may cause damage.
4. Do not sit or stand on it before the assembly is complete.

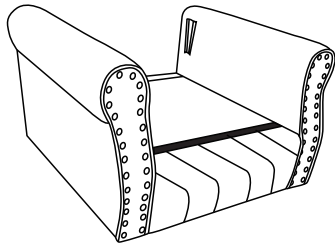
DAILY MAINTENANCE

1. Recommended for indoor use only.
2. Wipe with a soft, dry cloth. Keep away from abrasives and household cleaners.
3. Check all the fittings periodically and re-tighten if necessary.

Do not use the product if any part is damaged or broken.

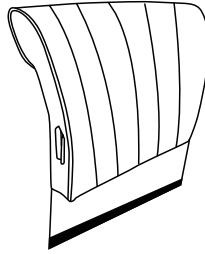
Parts Check List

A*1



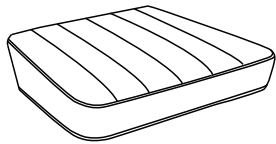
SEAT

B*1



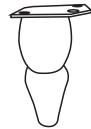
BACKREST

C*1



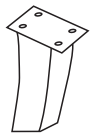
CUSHION

D*2



FRONT LEGS

E*2



BACK LEGS

①*14

M6*20mm



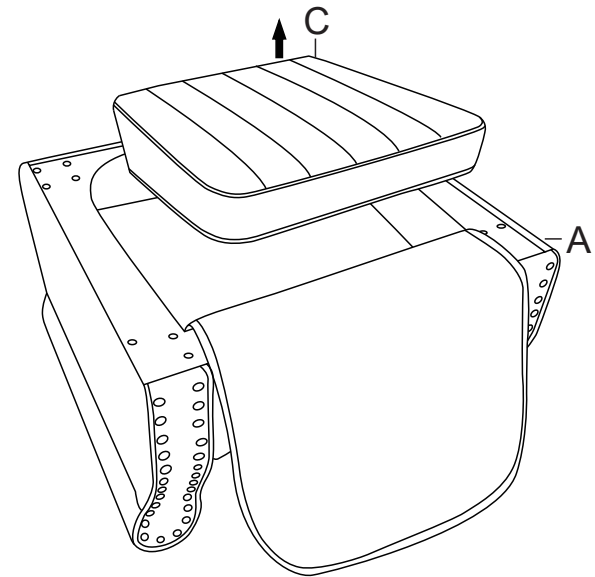
Bolt

②*1

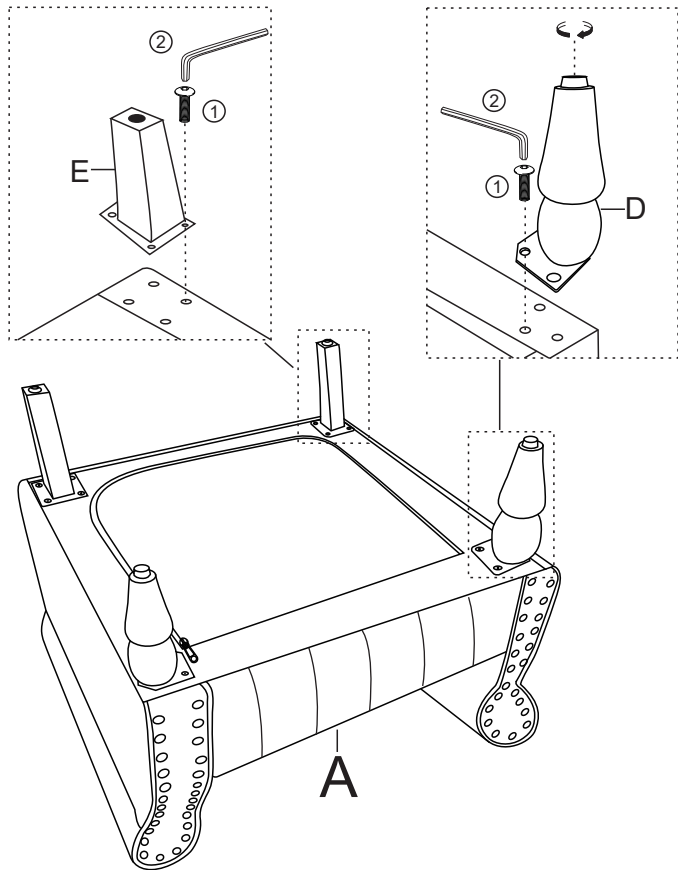
M6



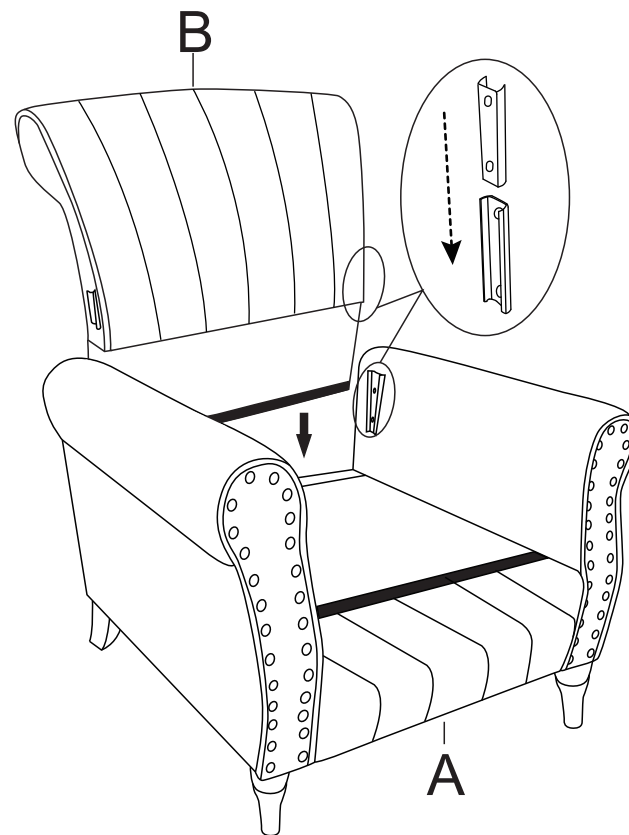
Allen Key



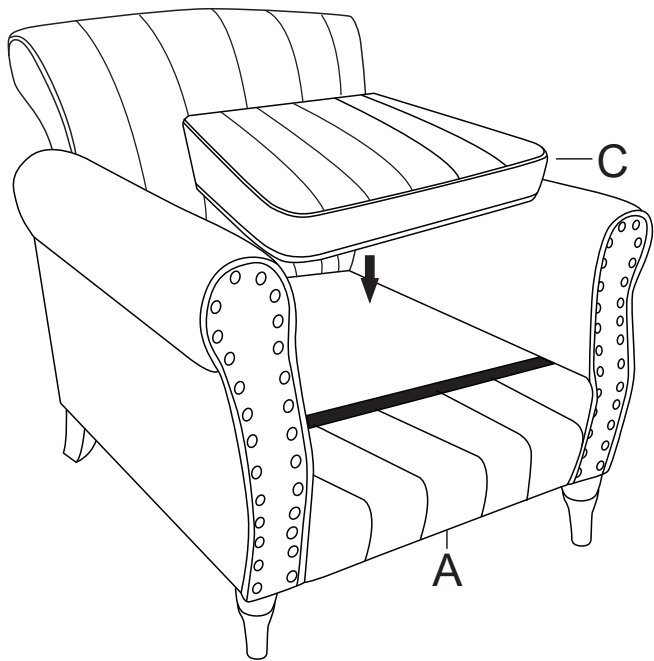
Step 1: Take the cushion **Part C** out of the base **Part A**.



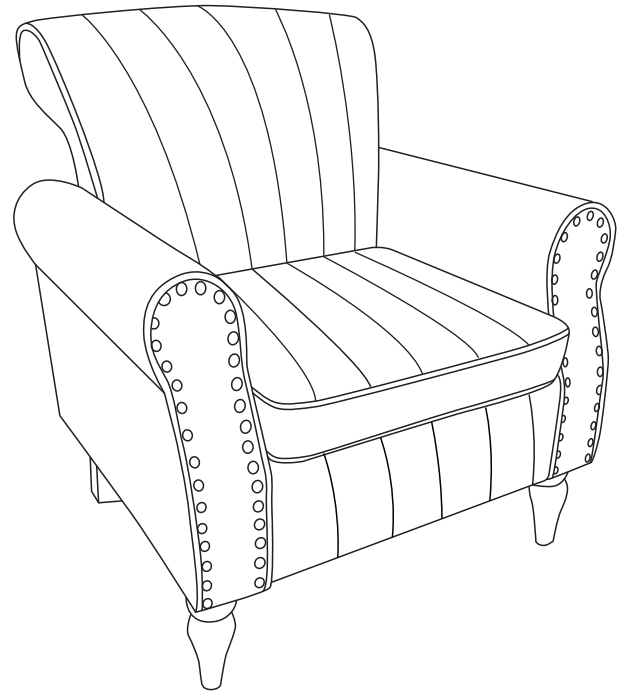
Step 2: Install the front foot **Part D** under the base with 3 **Part** . Install the rear foot **Part E** under the base with 4 **Part ①**.



Step 3: Insert the seat back **Part D** into the base **Part A** at the snap.



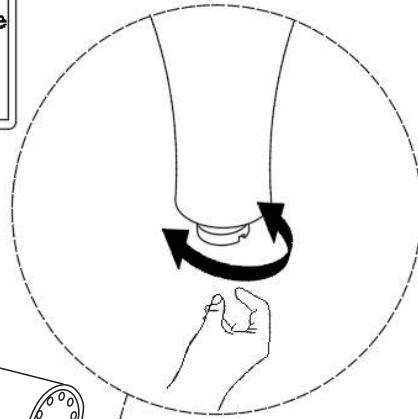
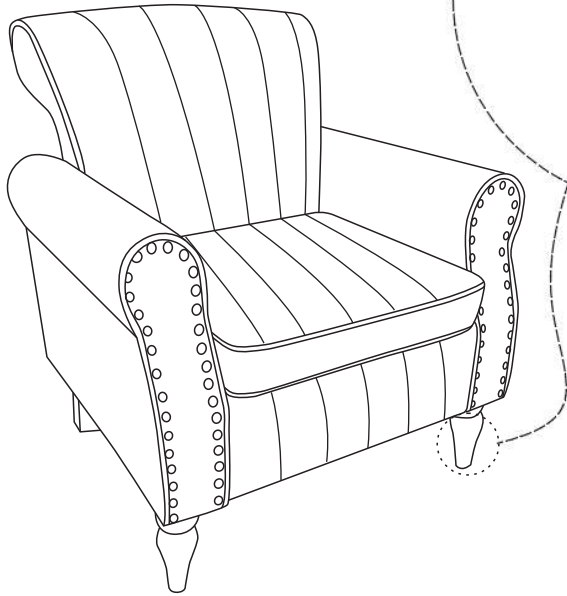
Step 4: Place the cushion **Part C** on the base **Part A**.



Step 5: Finish the installation.



Attention:
After installation, adjust the
adjustable leveler to keep
the chair balanced .



Step 6: Finally adjust the footpads to keep the chair balanced.