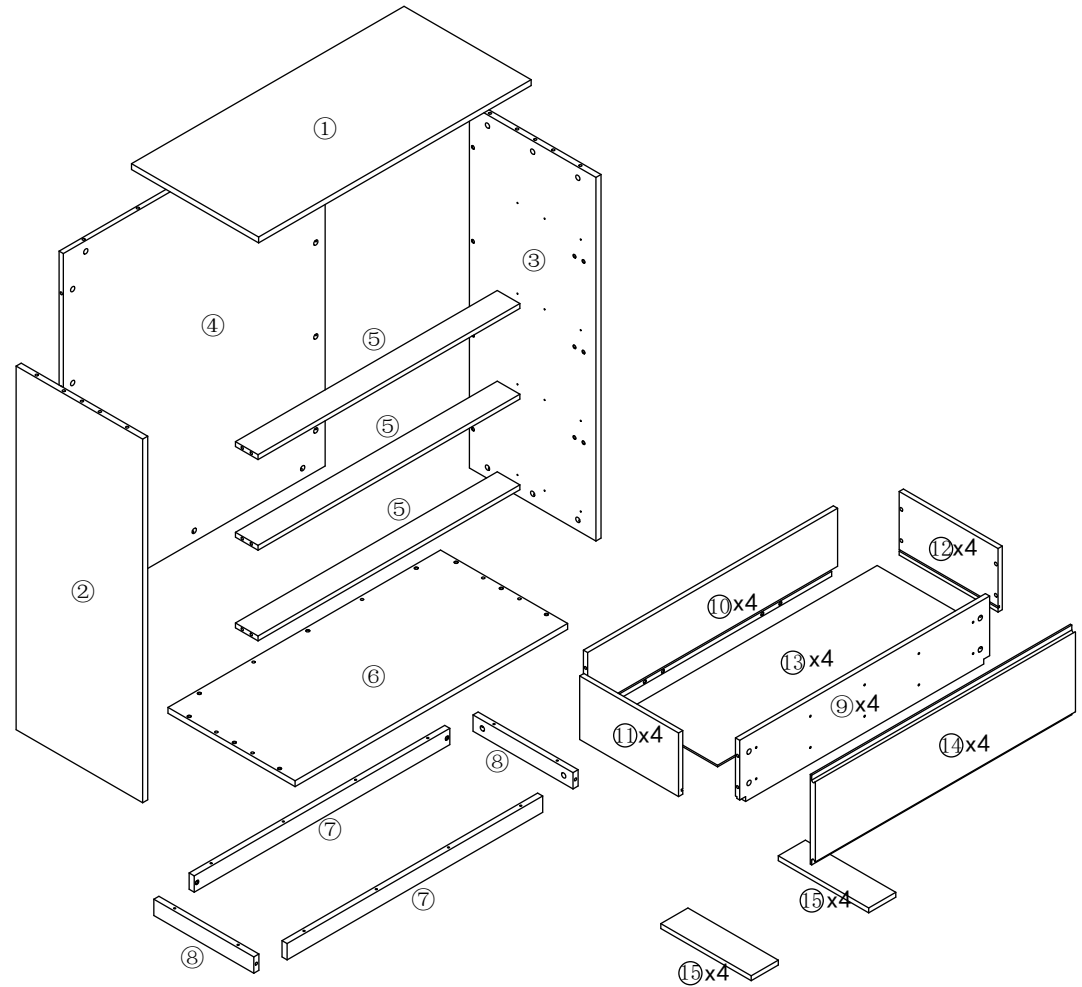
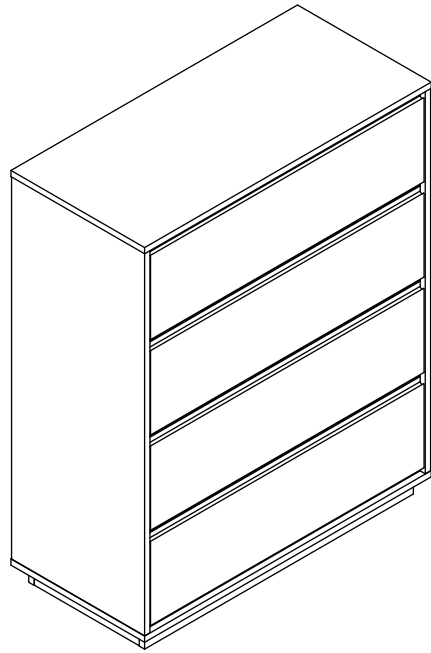

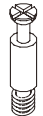





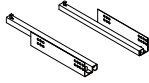

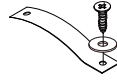
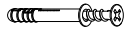


Assembly Instructions

PLEASE NOTE: Check that you have received all components and hardware before assembling. If you are missing any parts, contact your retailer.

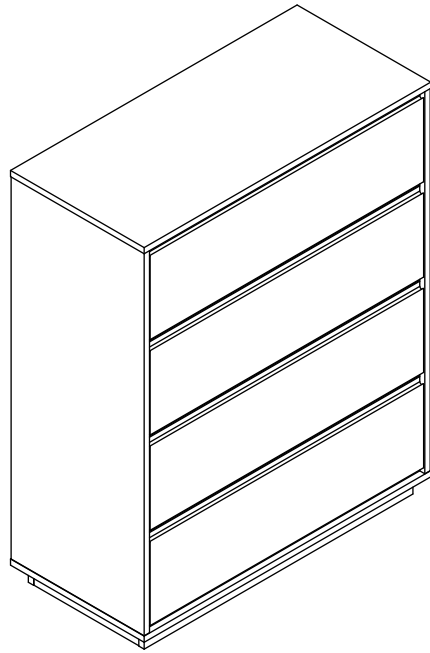


- 
 A (12 pcs)
 Ø8x30mm
- 
 B (106 pcs)
 M7x35mm
- 
 C (106 pcs)
 M7x35mm
- 
 D (106 pcs)
 Ø20x1mm
- 
 E (12 pcs)
 M4x35mm
- 
 F (8 pcs)
 Ø10x3mm
- 
 G (40 pcs)
 M4x20mm
- 
 H (4 pcs)
 350mm
- 
 I (32 pcs)
 M4x15mm
- 
 J (2 pcs)
- 
 K (2 pcs)

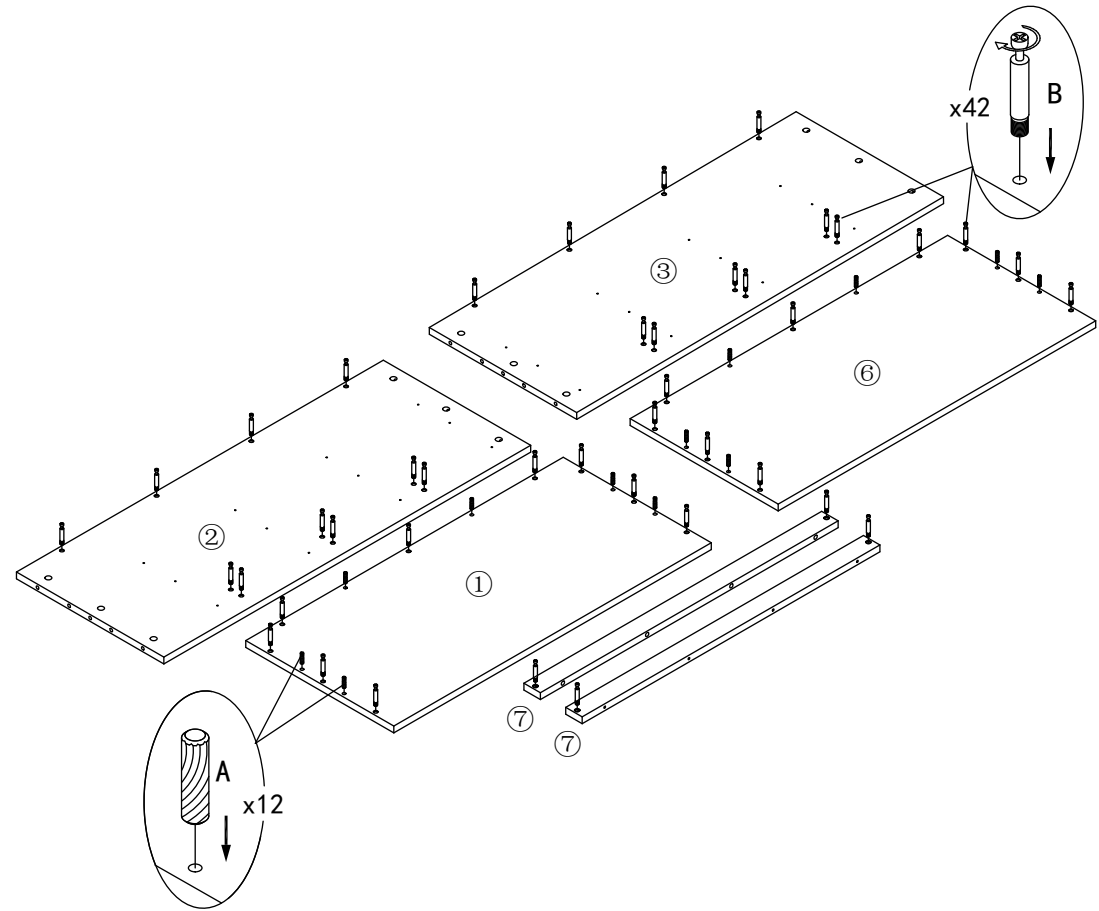
During assembly, hand tighten screws only. When the screws are in place, tighten completely.








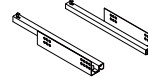

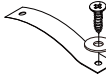
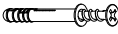
Assembly Instructions

PLEASE NOTE: Check that you have received all components and hardware before assembling. If you are missing any parts, contact your retailer.



1.

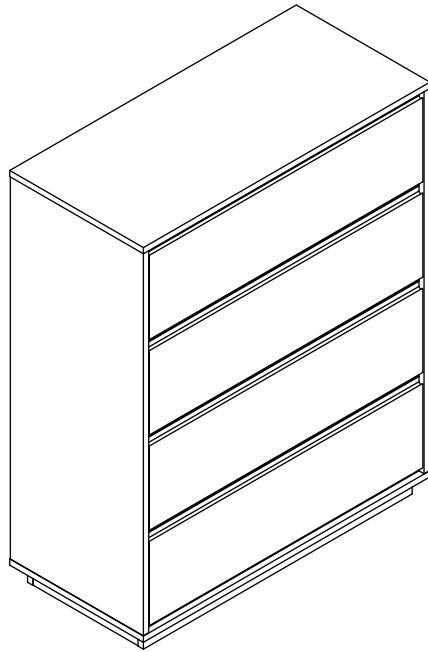



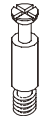




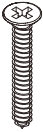
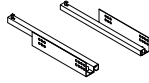

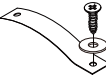
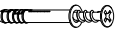
- 
A (12 pcs)
 $\varnothing 8 \times 30 \text{mm}$
- 
B (106 pcs)
 $M7 \times 35 \text{mm}$
- 
C (106 pcs)
 $M7 \times 35 \text{mm}$
- 
D (106 pcs)
 $\varnothing 20 \times 1 \text{mm}$
- 
E (12 pcs)
 $M4 \times 35 \text{mm}$
- 
F (8 pcs)
 $\varnothing 10 \times 3 \text{mm}$
- 
G (40 pcs)
 $M4 \times 20 \text{mm}$
- 
H (4 pcs)
 350mm
- 
I (32 pcs)
 $M4 \times 15 \text{mm}$
- 
J (2 pcs)
- 
K (2 pcs)

During assembly, hand tighten screws only. When the screws are in place, tighten completely.

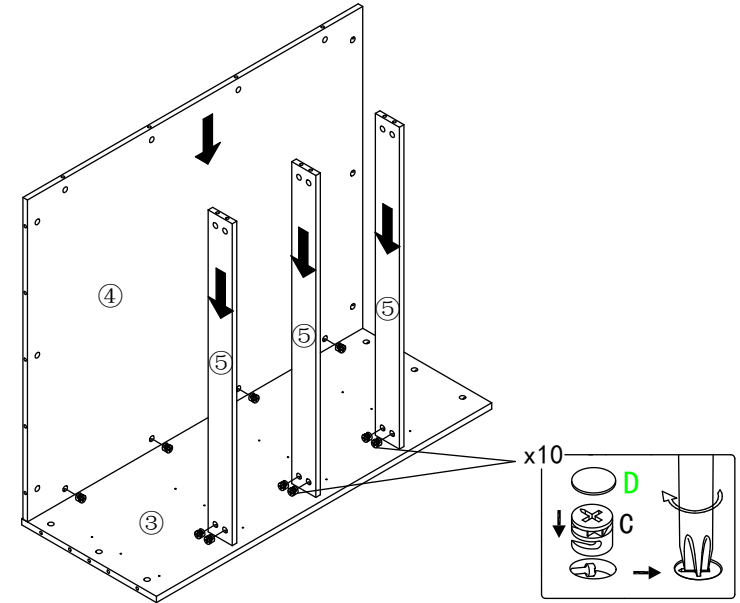
Assembly Instructions

PLEASE NOTE: Check that you have received all components and hardware before assembling. If you are missing any parts, contact your retailer.

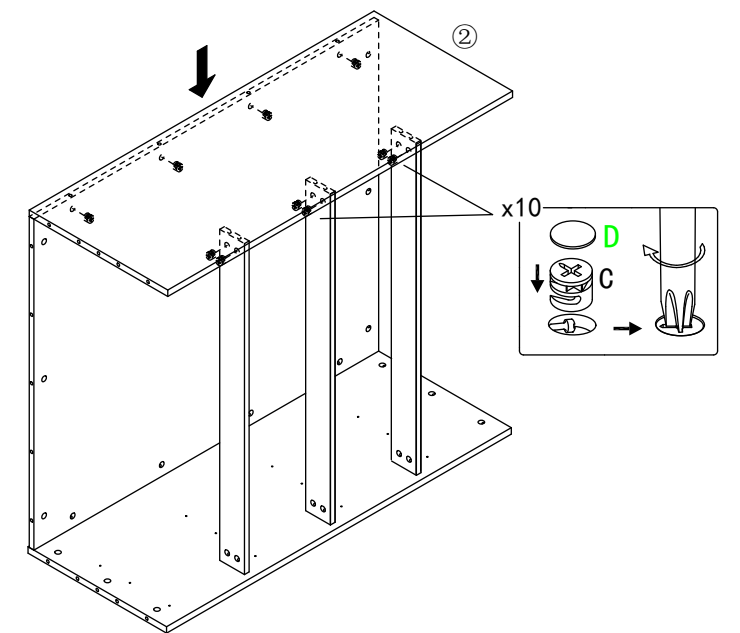


- 
A (12 pcs)
 $\varnothing 8 \times 30 \text{mm}$
- 
B (106 pcs)
 $M7 \times 35 \text{mm}$
- 
C (106 pcs)
 $M7 \times 35 \text{mm}$
- 
D (106 pcs)
 $\varnothing 20 \times 1 \text{mm}$
- 
E (12 pcs)
 $M4 \times 35 \text{mm}$
- 
F (8 pcs)
 $\varnothing 10 \times 3 \text{mm}$
- 
G (40 pcs)
 $M4 \times 20 \text{mm}$
- 
H (4 pcs)
 350mm
- 
I (32 pcs)
 $M4 \times 15 \text{mm}$
- 
J (2 pcs)
- 
K (2 pcs)

2.



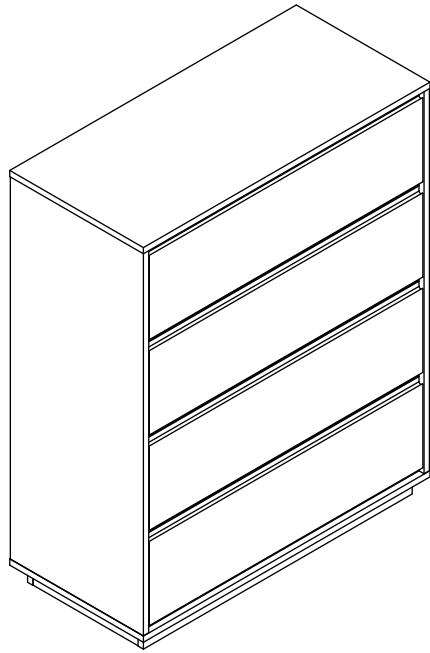
3.


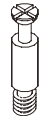




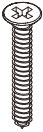
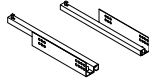

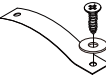
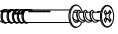


During assembly, hand tighten screws only. When the screws are in place, tighten completely.

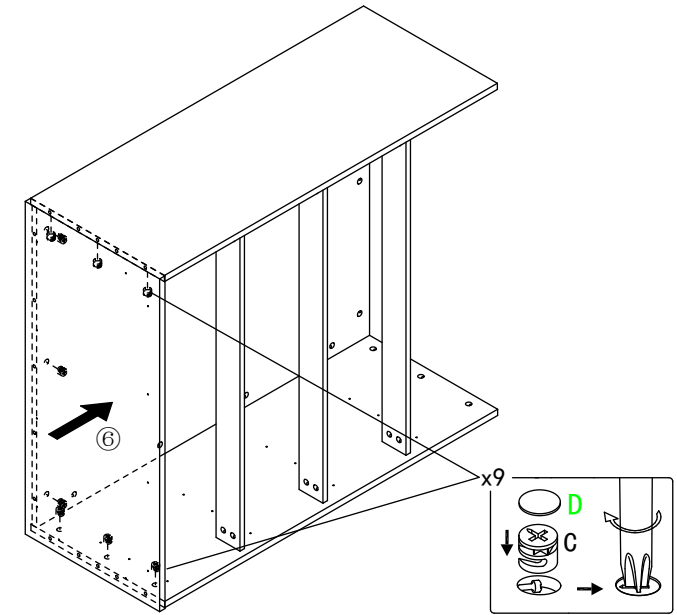
Assembly Instructions

PLEASE NOTE: Check that you have received all components and hardware before assembling. If you are missing any parts, contact your retailer.

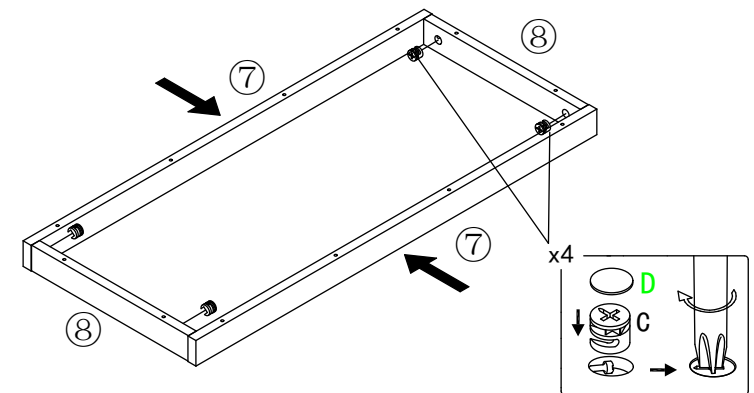


- | | | | | |
|---|--|--|--|---|
| 
A (12 pcs)
Ø8x30mm | 
B (106 pcs)
M7x35mm | 
C (106 pcs)
M7x35mm | 
D (106 pcs)
Ø20x1mm | 
E (12 pcs)
M4x35mm |
| 
F (8 pcs)
Ø10x3mm | 
G (40 pcs)
M4x20mm | 
H (4 pcs)
350mm | 
I (32 pcs)
M4x15mm | 
J (2 pcs) |
| 
K (2 pcs) | | | | |

4.



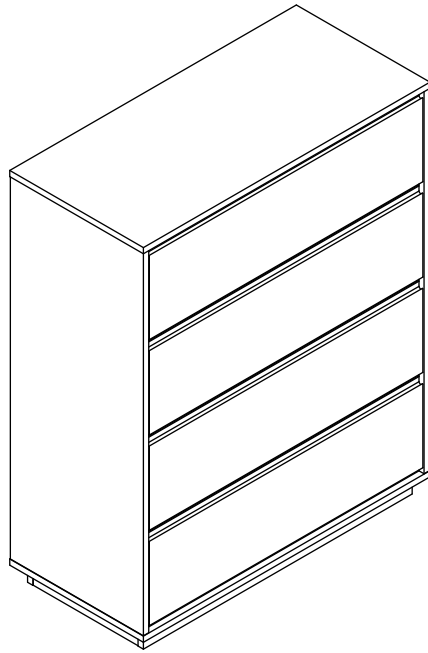
5.



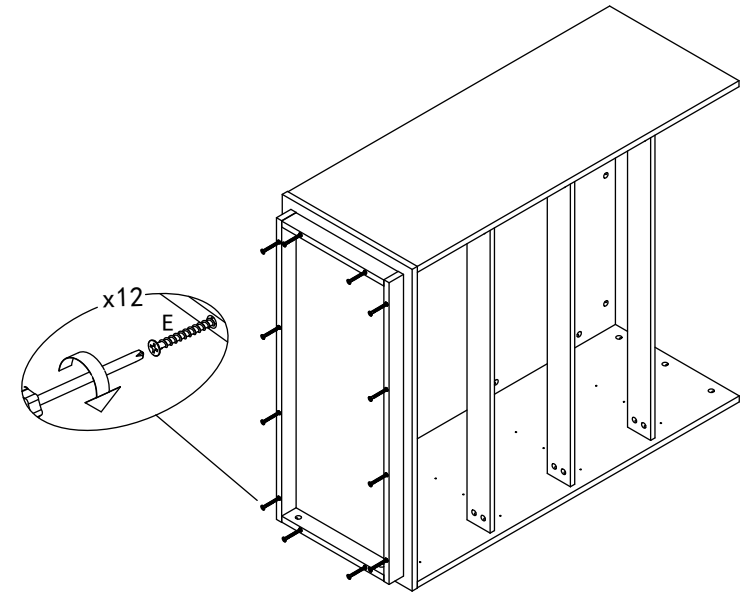
During assembly, hand tighten screws only. When the screws are in place, tighten completely.

Assembly Instructions

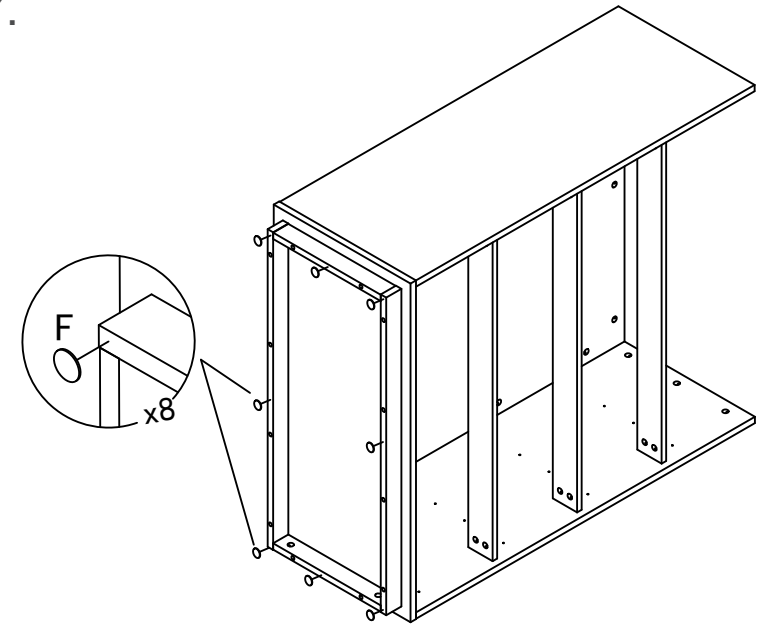
PLEASE NOTE: Check that you have received all components and hardware before assembling. If you are missing any parts, contact your retailer.


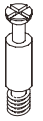


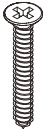

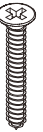
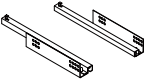

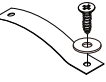
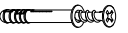


6.



7.

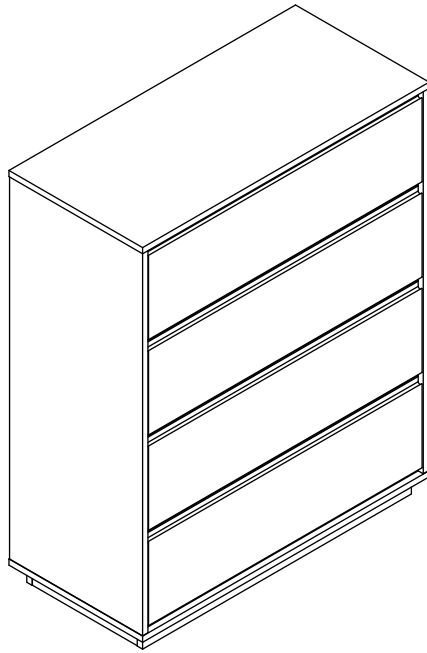


- | | | | | |
|---|---|---|---|---|
|  |  |  |  |  |
| A (12 pcs)
Ø8x30mm | B (106 pcs)
M7x35mm | C (106 pcs)
M7x35mm | D (106 pcs)
Ø20x1mm | E (12 pcs)
M4x35mm |
|  |  |  |  |  |
| F (8 pcs)
Ø10x3mm | G (40 pcs)
M4x20mm | H (4 pcs)
350mm | I (32 pcs)
M4x15mm | J (2 pcs) |
|  | | | | |
| K (2 pcs) | | | | |

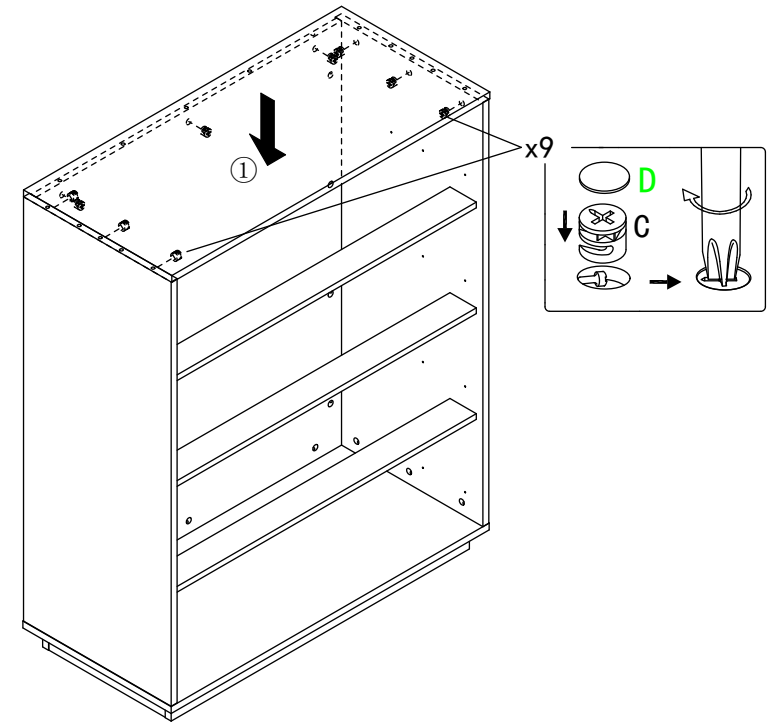
During assembly, hand tighten screws only. When the screws are in place, tighten completely.

Assembly Instructions

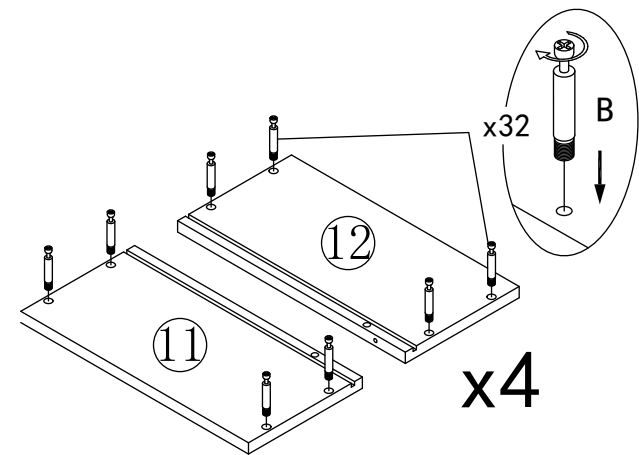
PLEASE NOTE: Check that you have received all components and hardware before assembling. If you are missing any parts, contact your retailer.


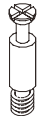





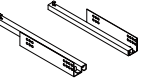

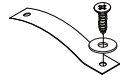
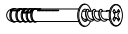


8.



9.

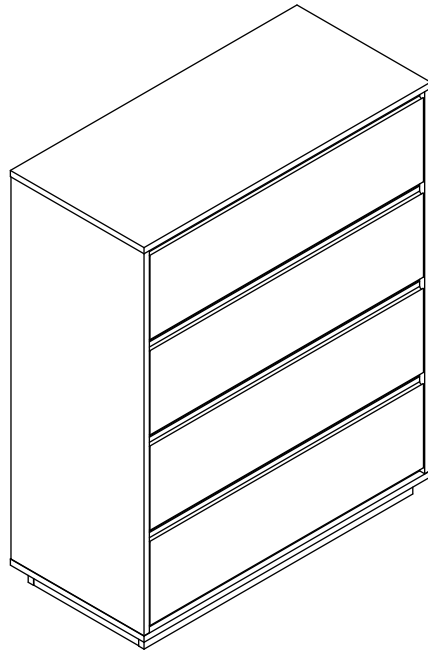



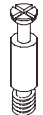


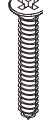


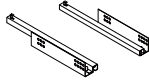

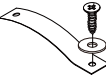
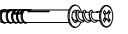
- 
 A (12 pcs)
 Ø8x30mm
- 
 B (106 pcs)
 M7x35mm
- 
 C (106 pcs)
 M7x35mm
- 
 D (106 pcs)
 Ø20x1mm
- 
 E (12 pcs)
 M4x35mm
- 
 F (8 pcs)
 Ø10x3mm
- 
 G (40 pcs)
 M4x20mm
- 
 H (4 pcs)
 350mm
- 
 I (32 pcs)
 M4x15mm
- 
 J (2 pcs)
- 
 K (2 pcs)

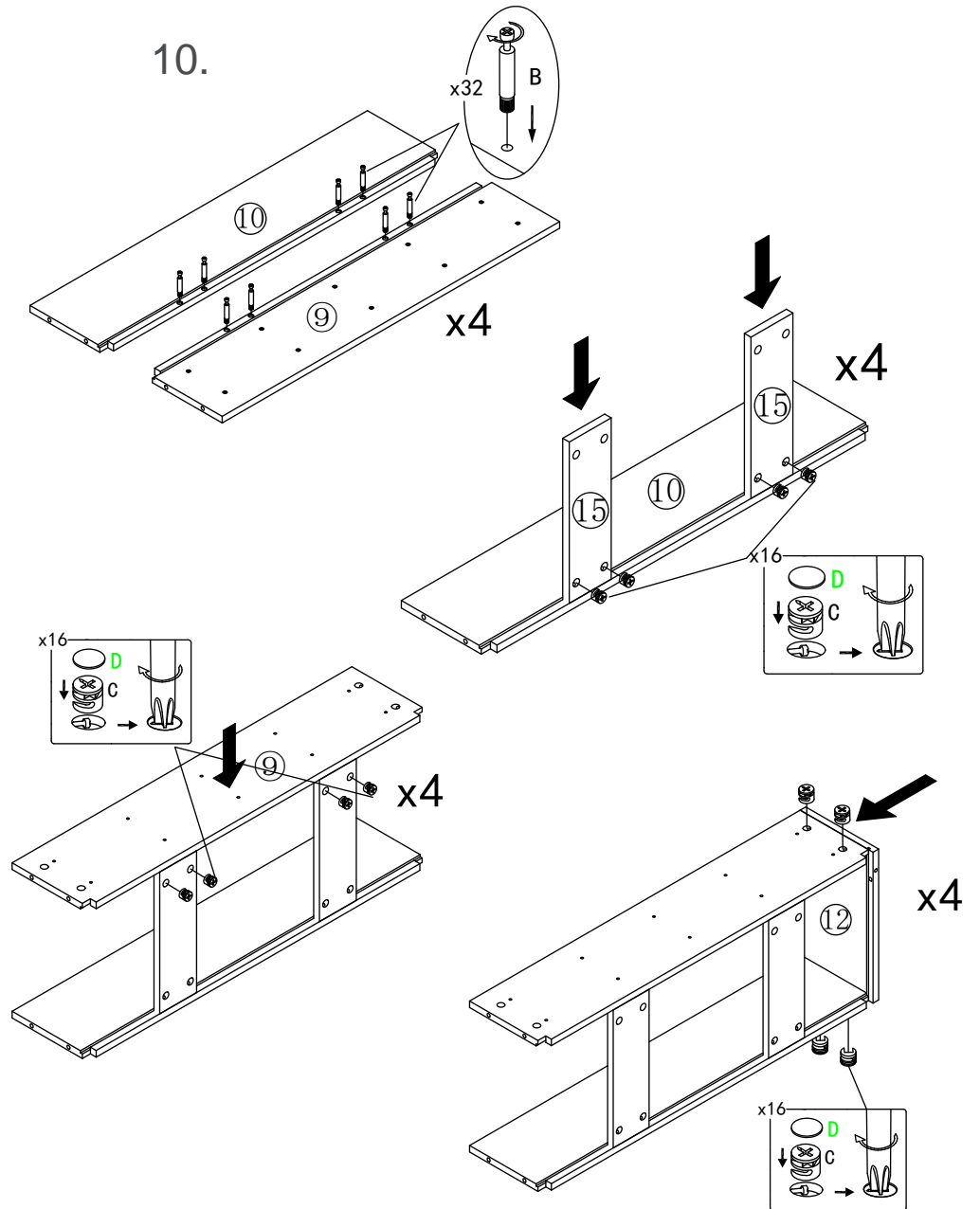
During assembly, hand tighten screws only. When the screws are in place, tighten completely.

Assembly Instructions

PLEASE NOTE: Check that you have received all components and hardware before assembling. If you are missing any parts, contact your retailer.



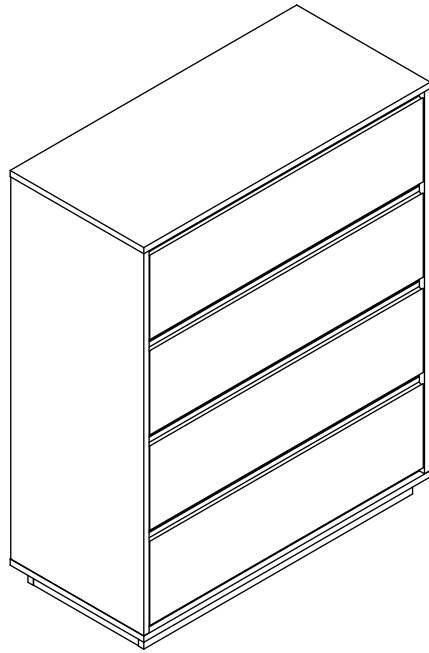
- A (12 pcs)  Ø8x30mm
- B (106 pcs)  M7x35mm
- C (106 pcs)  M7x35mm
- D (106 pcs)  Ø20x1mm
- E (12 pcs)  M4x35mm
- F (8 pcs)  Ø10x3mm
- G (40 pcs)  M4x20mm
- H (4 pcs)  350mm
- I (32 pcs)  M4x15mm
- J (2 pcs) 
- K (2 pcs) 



During assembly, hand tighten screws only. When the screws are in place, tighten completely.

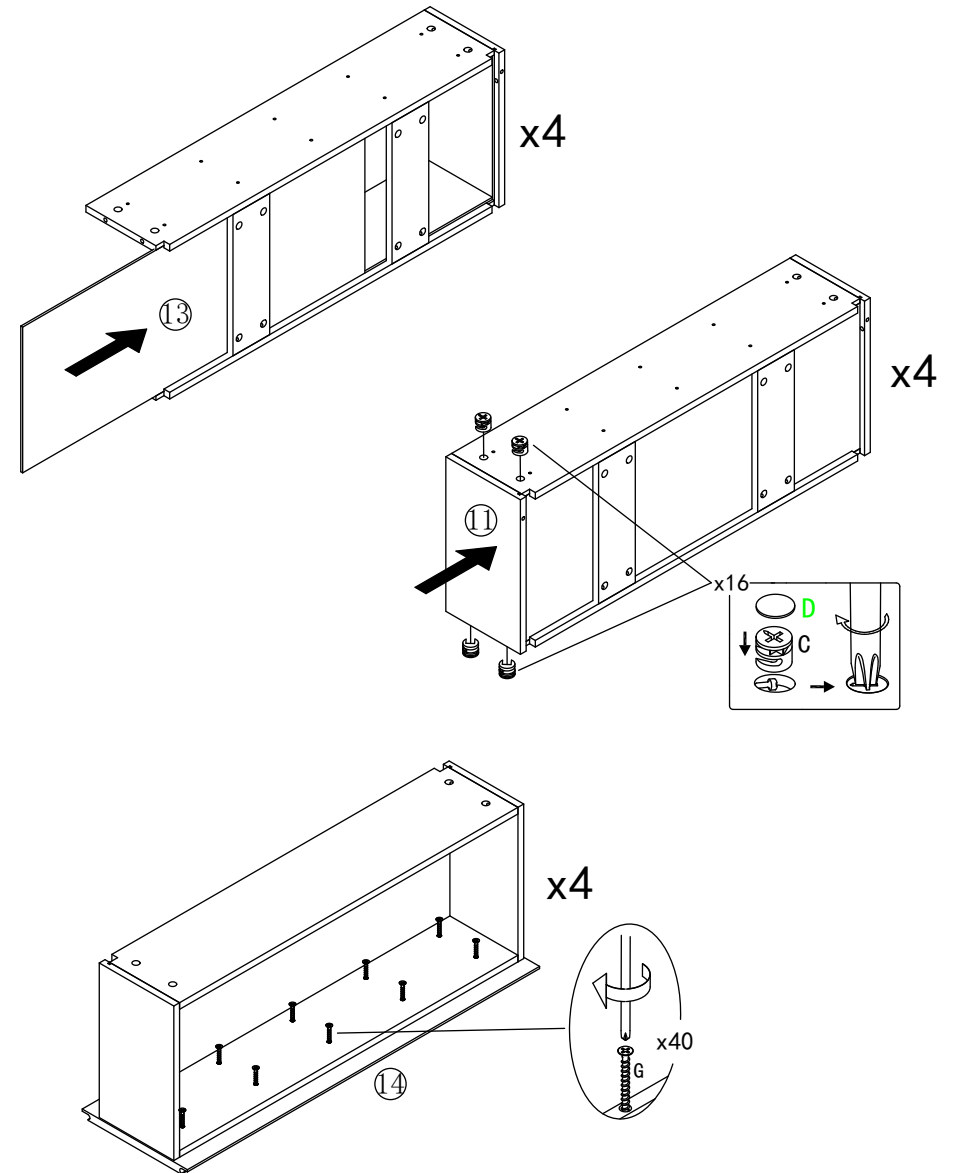
Assembly Instructions

PLEASE NOTE: Check that you have received all components and hardware before assembling. If you are missing any parts, contact your retailer.



- A (12 pcs) \varnothing 8x30mm
- B (106 pcs) M7x35mm
- C (106 pcs) M7x35mm
- D (106 pcs) \varnothing 20x1mm
- E (12 pcs) M4x35mm
- F (8 pcs) \varnothing 10x3mm
- G (40 pcs) M4x20mm
- H (4 pcs) 350mm
- I (32 pcs) M4x15mm
- J (2 pcs)
- K (2 pcs)

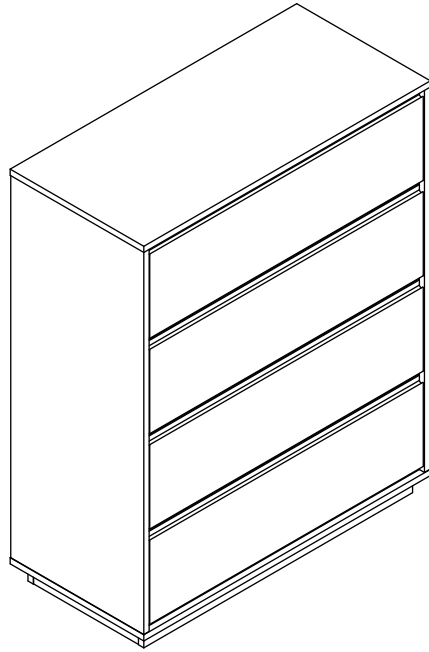
11.



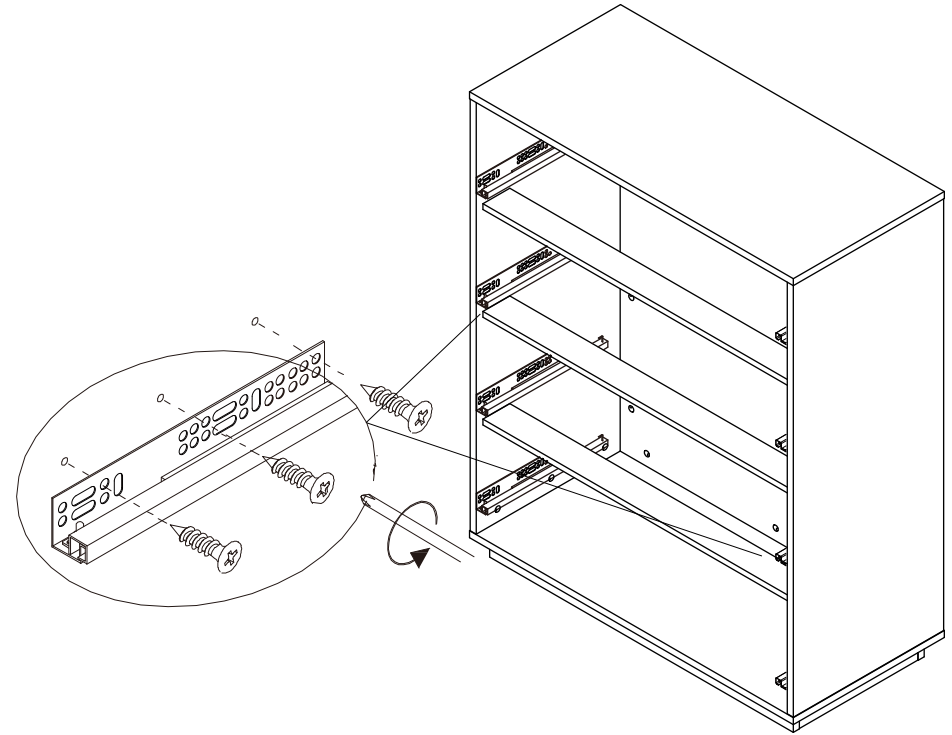
During assembly, hand tighten screws only. When the screws are in place, tighten completely.


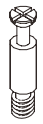




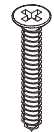
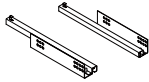

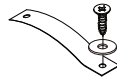
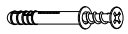
Assembly Instructions

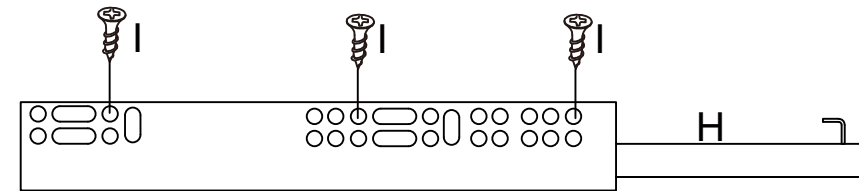
PLEASE NOTE: Check that you have received all components and hardware before assembling. If you are missing any parts, contact your retailer.



12.



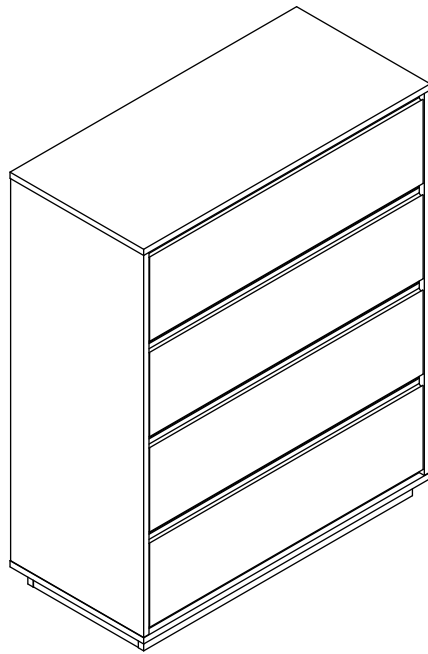
- 
A (12 pcs)
 $\varnothing 8 \times 30 \text{mm}$
- 
B (106 pcs)
 $M7 \times 35 \text{mm}$
- 
C (106 pcs)
 $M7 \times 35 \text{mm}$
- 
D (106 pcs)
 $\varnothing 20 \times 1 \text{mm}$
- 
E (12 pcs)
 $M4 \times 35 \text{mm}$
- 
F (8 pcs)
 $\varnothing 10 \times 3 \text{mm}$
- 
G (40 pcs)
 $M4 \times 20 \text{mm}$
- 
H (4 pcs)
 350mm
- 
I (32 pcs)
 $M4 \times 15 \text{mm}$
- 
J (2 pcs)
- 
K (2 pcs)



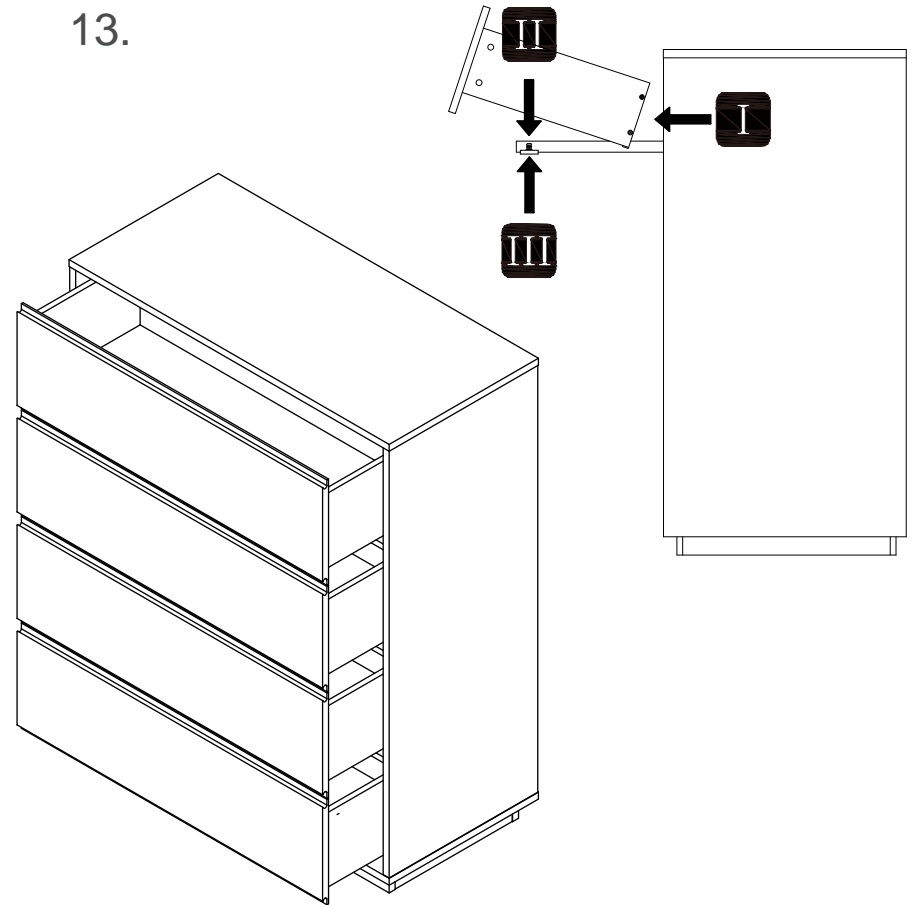
During assembly, hand tighten screws only. When the screws are in place, tighten completely.

Assembly Instructions

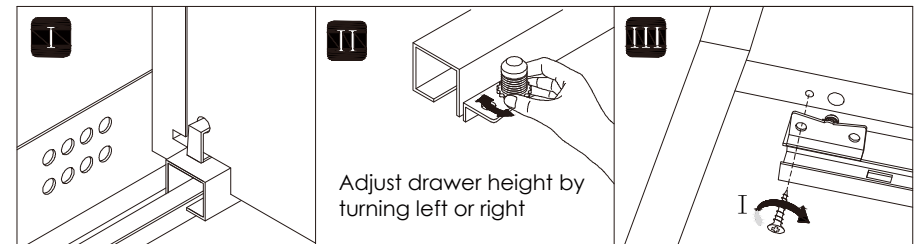
PLEASE NOTE: Check that you have received all components and hardware before assembling. If you are missing any parts, contact your retailer.



13.



- A (12 pcs) \varnothing 8x30mm
- B (106 pcs) M7x35mm
- C (106 pcs) M7x35mm
- D (106 pcs) \varnothing 20x1mm
- E (12 pcs) M4x35mm
- F (8 pcs) \varnothing 10x3mm
- G (40 pcs) M4x20mm
- H (4 pcs) 350mm
- I (32 pcs) M4x15mm
- J (2 pcs)
- K (2 pcs)

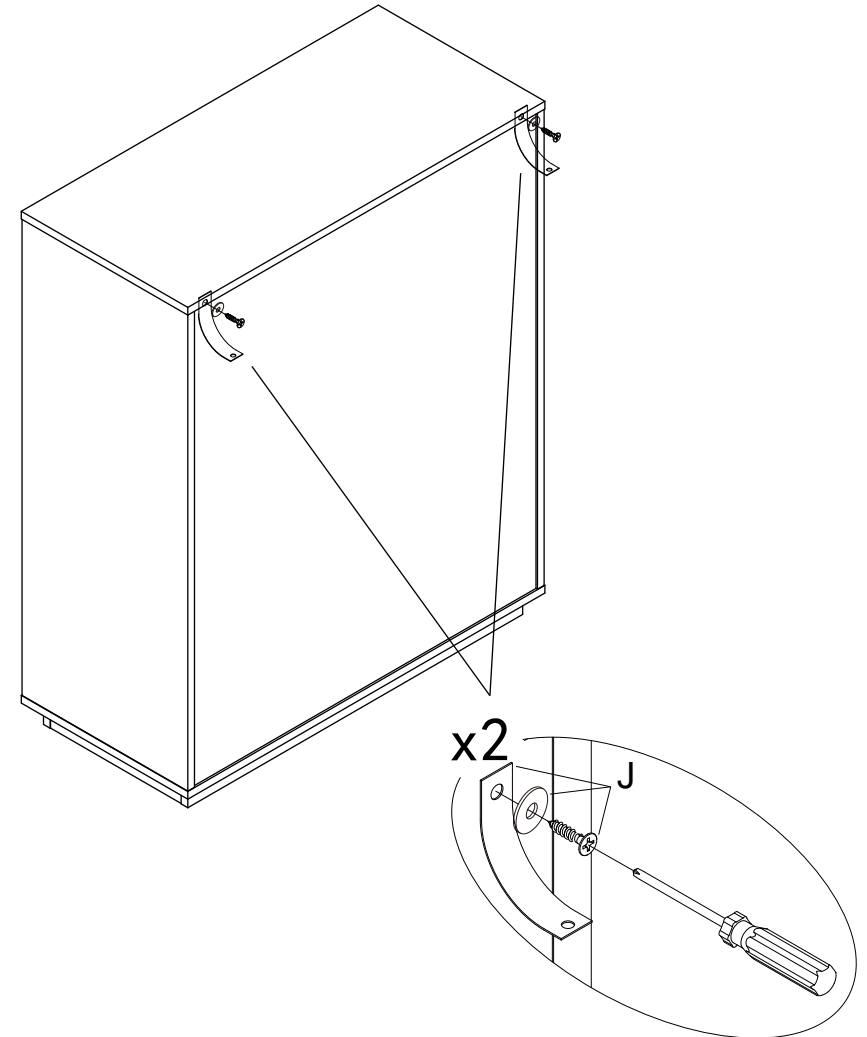
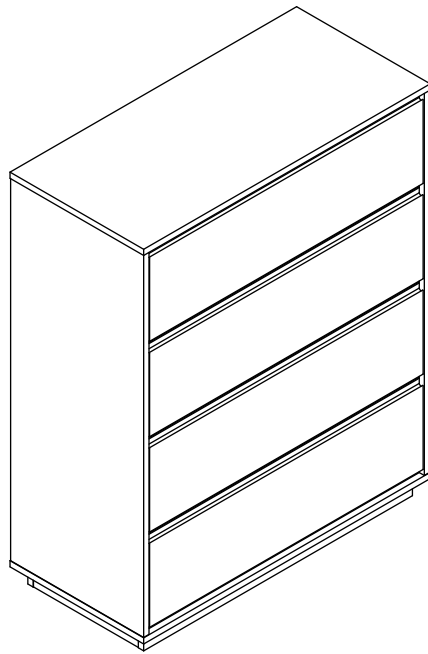








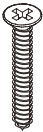
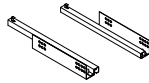

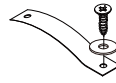
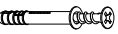
During assembly, hand tighten screws only. When the screws are in place, tighten completely.

Assembly Instructions

PLEASE NOTE: Check that you have received all components and hardware before assembling. If you are missing any parts, contact your retailer.

14.



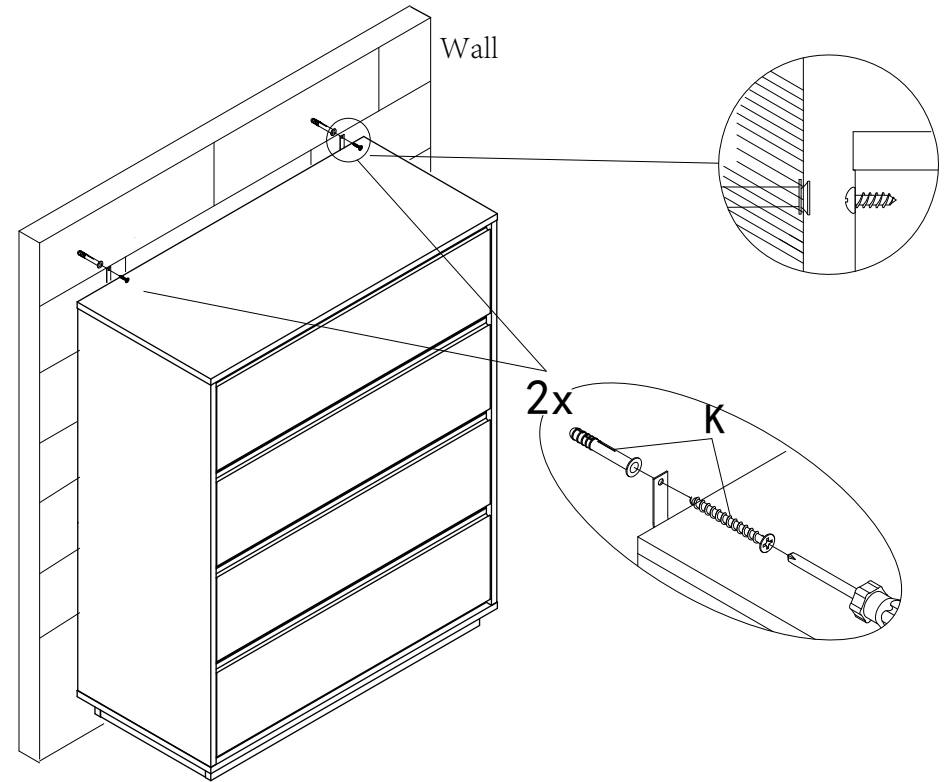
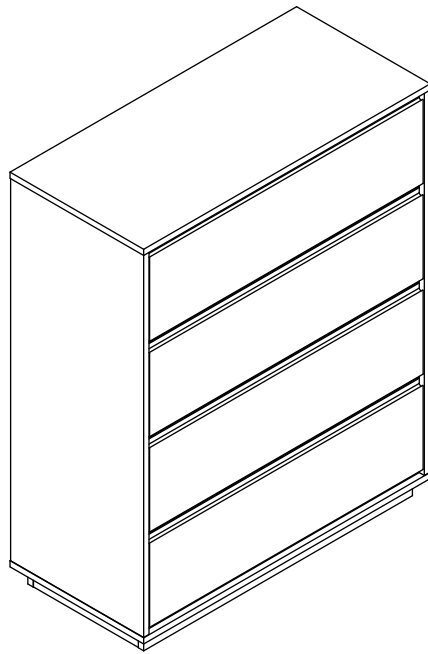
- 
 A (12 pcs)
 Ø8x30mm
- 
 B (106 pcs)
 M7x35mm
- 
 C (106 pcs)
 M7x35mm
- 
 D (106 pcs)
 Ø20x1mm
- 
 E (12 pcs)
 M4x35mm
- 
 F (8 pcs)
 Ø10x3mm
- 
 G (40 pcs)
 M4x20mm
- 
 H (4 pcs)
 350mm
- 
 I (32 pcs)
 M4x15mm
- 
 J (2 pcs)
- 
 K (2 pcs)

During assembly, hand tighten screws only. When the screws are in place, tighten completely.

Assembly Instructions

PLEASE NOTE: Check that you have received all components and hardware before assembling. If you are missing any parts, contact your retailer.

15.



- A (12 pcs) \varnothing 8x30mm
- B (106 pcs) M7x35mm
- C (106 pcs) M7x35mm
- D (106 pcs) \varnothing 20x1mm
- E (12 pcs) M4x35mm
- F (8 pcs) \varnothing 10x3mm
- G (40 pcs) M4x20mm
- H (4 pcs) 350mm
- I (32 pcs) M4x15mm
- J (2 pcs)
- K (2 pcs)

During assembly, hand tighten screws only. When the screws are in place, tighten completely.