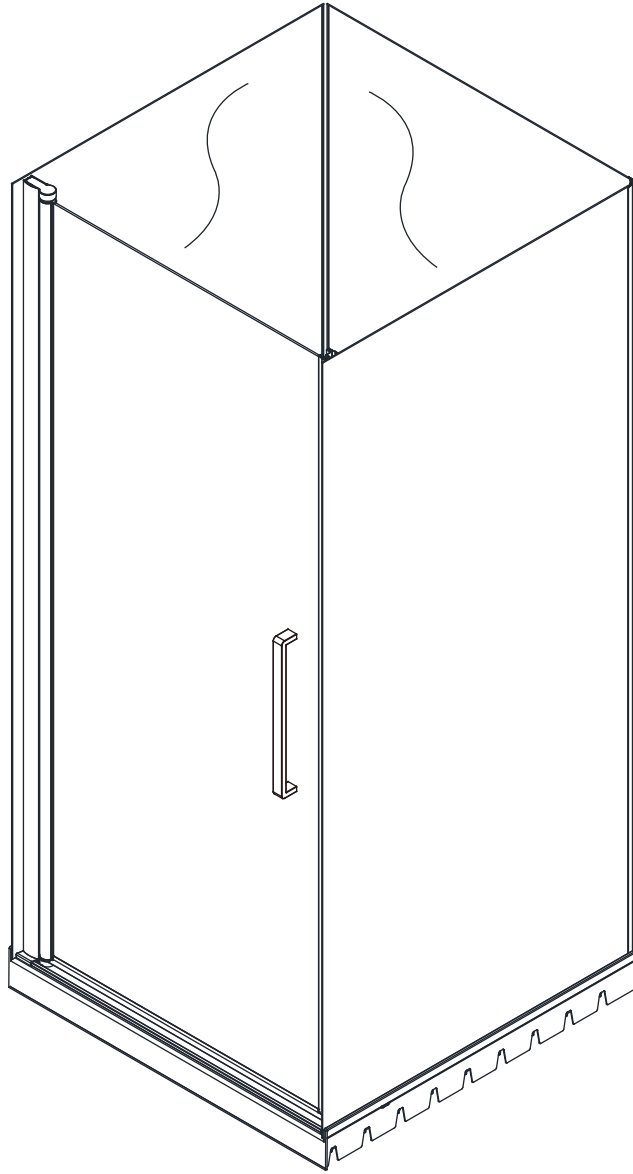


# Installation Instructions for Shower kit



Model : DK1132BB-MB  
Barcode : 655343470722  
Read all instructions carefully before proceeding.

SAVE THIS GUIDE FOR FUTURE REFERENCE.



## ◆ General Information

### \* Informations

Please inspect the product immediately upon receipt for transit damage, missing packs / parts or manufacturing defects. Damage reported later cannot be accepted. Please handle the product with care to avoid knocks and shocks on any side or edge of the glass.

**Note: The safety glass cannot be re-worked.**

Please read these instructions carefully before starting the installation.  
Special care should be taken when drilling the walls to avoid hidden pipes or electrical cables.

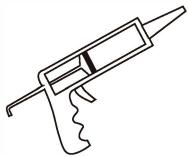
### Aftercare Instructions

After use, your shower should be cleaned with soap and water. This is particularly important in hard water districts where insoluble lime salts may be deposited and allowed to build up. Gritty or abrasive cleaners should not be used. Avoid contact with strong chemicals such as organic solvents and strippers. Glass cleaners can be used but with caution. If in doubt, contact the cleaner's manufacturer.

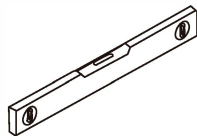
**Please keep these instructions for aftercare and customer service details.**

~~~~~

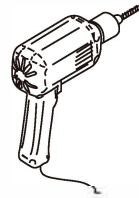
## Tools Required



Silicone



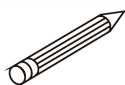
Level



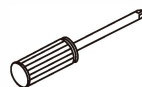
Electric drill



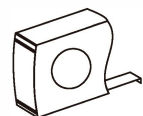
Hammer



Marker



Screwdriver



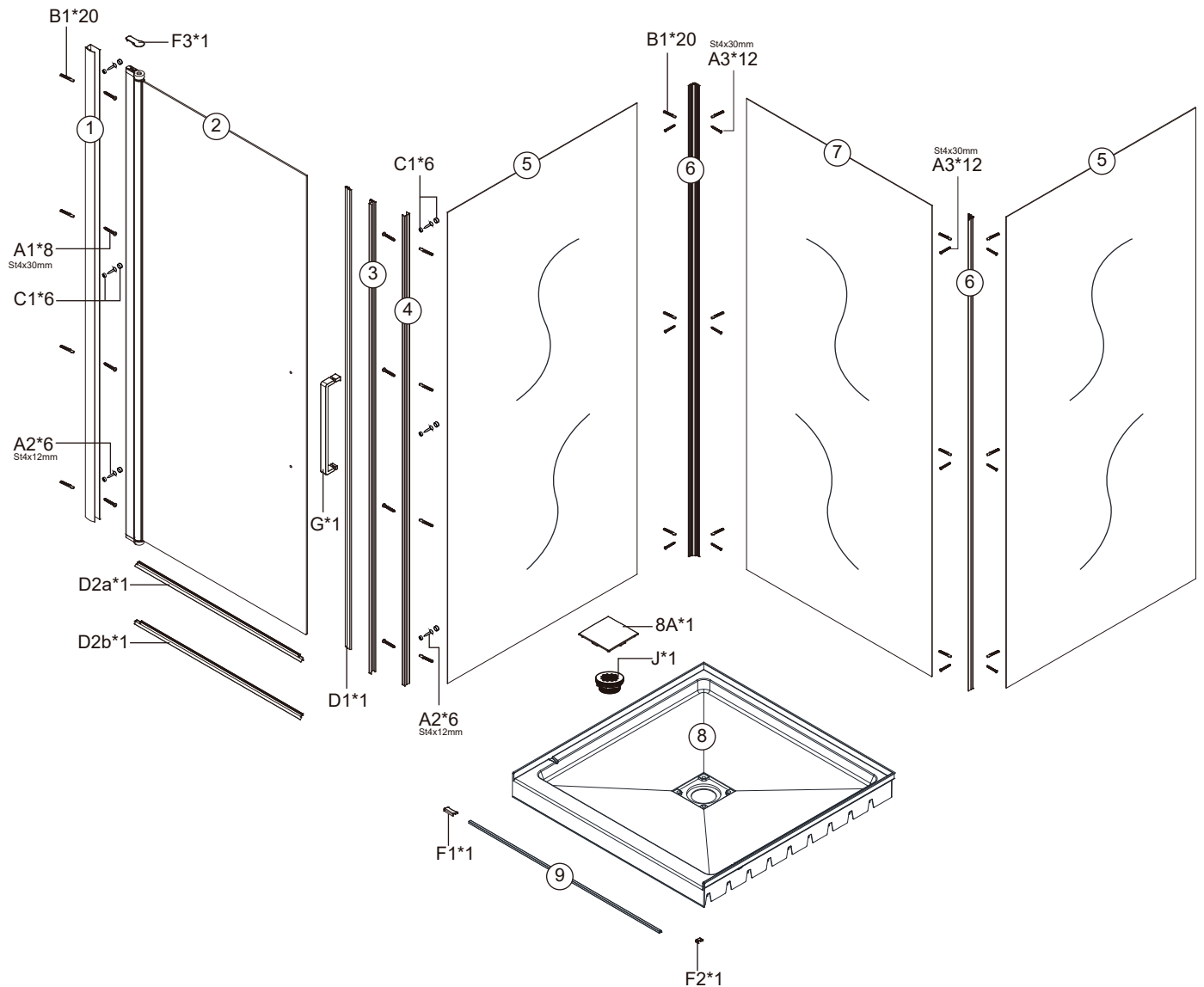
Measuring Tape



**Note: / Remarque:**

This product is heavy and may require two people to install.

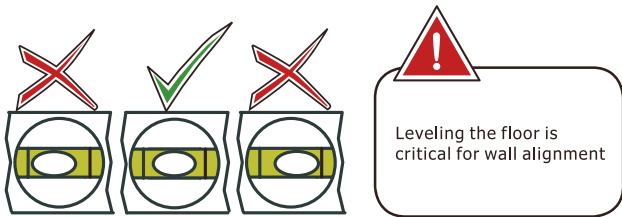
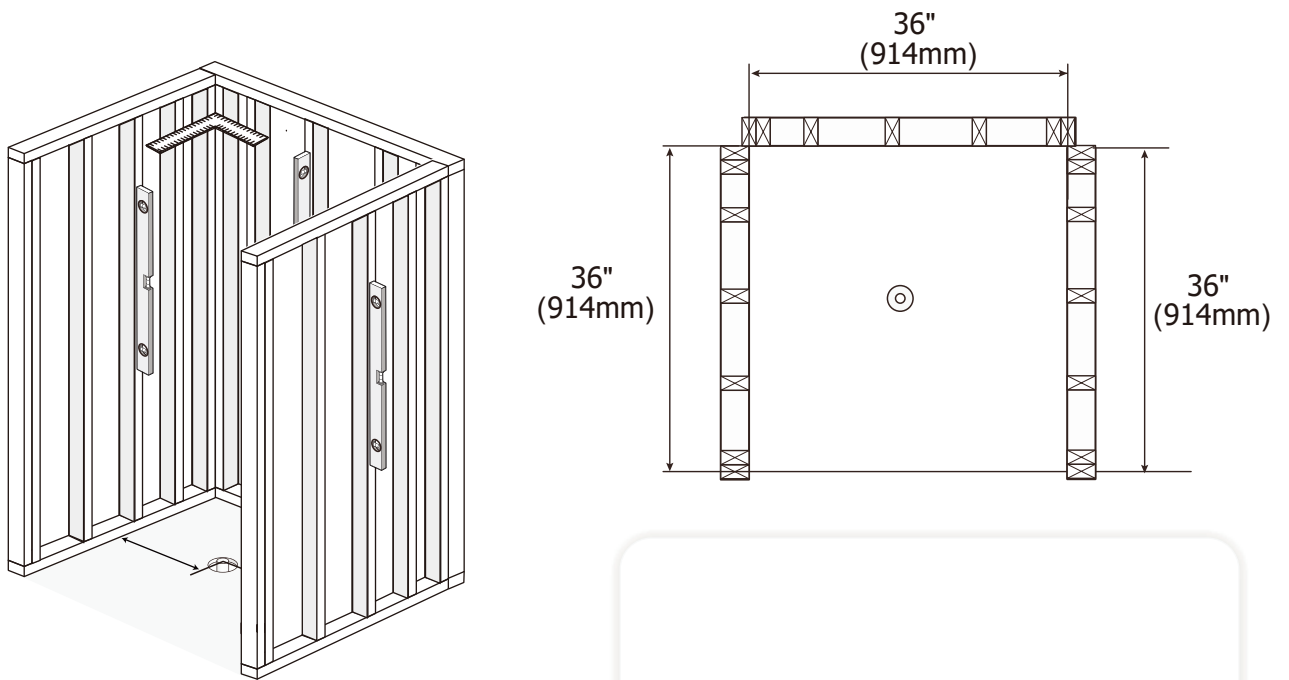
# Parts and components



| Item number | Description                        | Quantity | Item number | Description                                                         | Quantity |
|-------------|------------------------------------|----------|-------------|---------------------------------------------------------------------|----------|
| 1           | Wall profile / Profilé mural       | 1        | 8A          | Drain Cap / Cache-drain                                             | 1        |
| 2           | Pivot glass door                   | 1        | B1          | Wall plugs / Prises murales                                         | 20       |
| 3           | Wall profile / Profilé mural       | 1        | C1          | Screw Covers / Capuchons de vis                                     | 6        |
| 4           | Wall profile / Profilé mural       | 1        | D1          | PVC magnetic door seals / Joints magnétiques en PVC pour les portes | 1        |
| 5           | Side Wall Panels                   | 2        | D2a         | Bottom seal left / Joint inférieure gauche                          | 1        |
| 6           | Wall profile / Profilé mural       | 2        | D2b         | Bottom seal right / Joint inférieure droit                          | 1        |
| 7           | Rear Wall Panel                    | 1        | F1          | Decoration cover                                                    | 1        |
| 8           | Base / Base                        | 1        | F2          | Decoration cover                                                    | 1        |
| 9           | Bottom bar / Barre inférieure      | 1        | G           | Door handles / Poignées de porte                                    | 1        |
| A1          | St4 x 30mm Screws / Vis ST4 x 30mm | 8        | J           | Drain kit / Ensemble de drain                                       | 1        |
| A2          | St4 x 12mm Screws / Vis ST4 x 12mm | 6        |             |                                                                     |          |
| A3          | St4x30mm Screws / Vis ST4 x 30mm   | 12       |             |                                                                     |          |

# Preparation of shower area

Fig.1

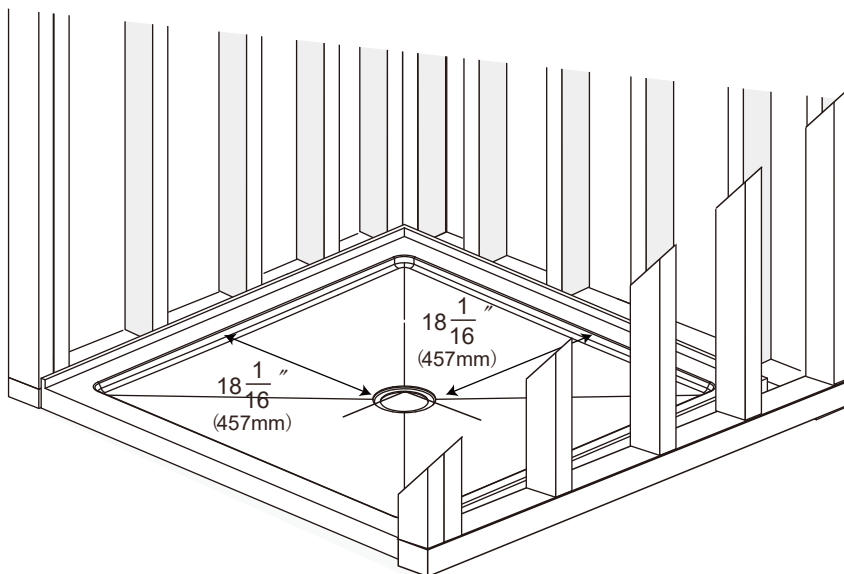


Quick tip  
stuces rapides



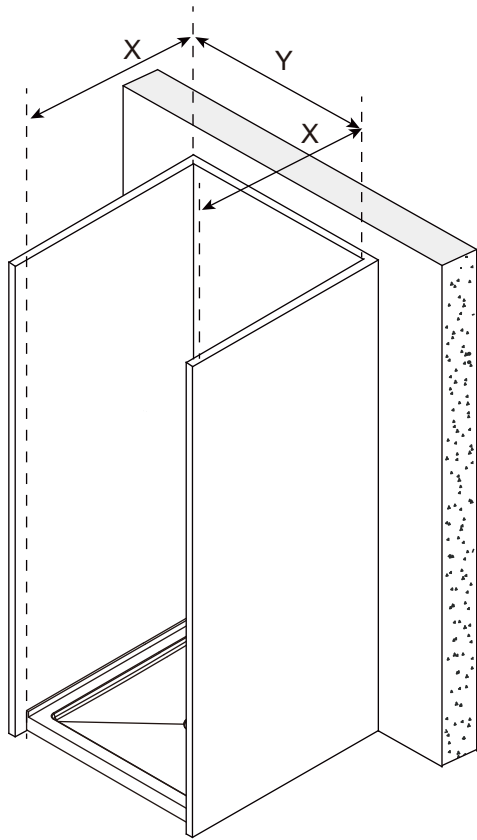
For leveling the floor use self-leveling mortar.

Fig.1: For new construction, and wherever possible for renovation, install an extra stud in each wall centered on 36" (914 mm) from the stud wall corner.

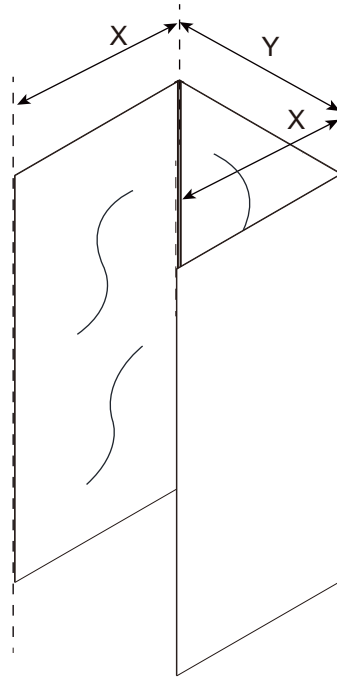


# INSTALLATION / INSTALLATION

Fig.2

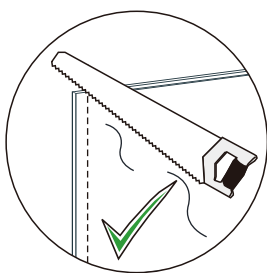
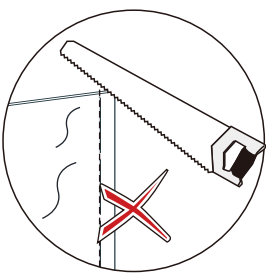


Cut the wall to match the bathtub if needed

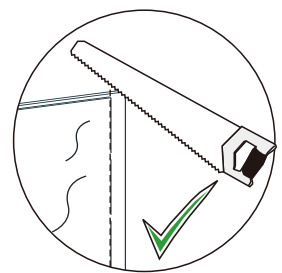
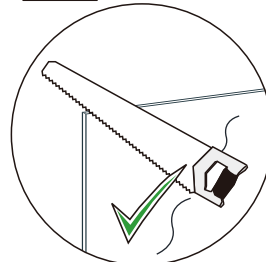
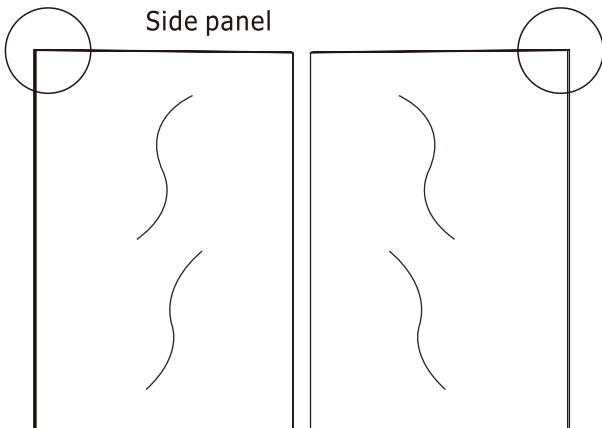


NOTE: Wide flat edge outward.  
Cut this edge if needed.

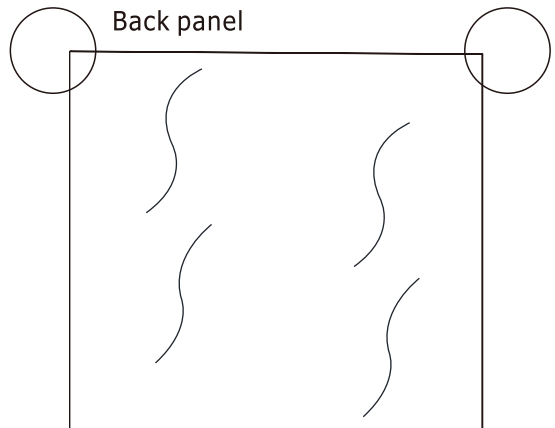
Note: Cut equally on both sides if  
needed, do not just cut one side



Side panel



Back panel



# Preparation of shower area

Fig.3

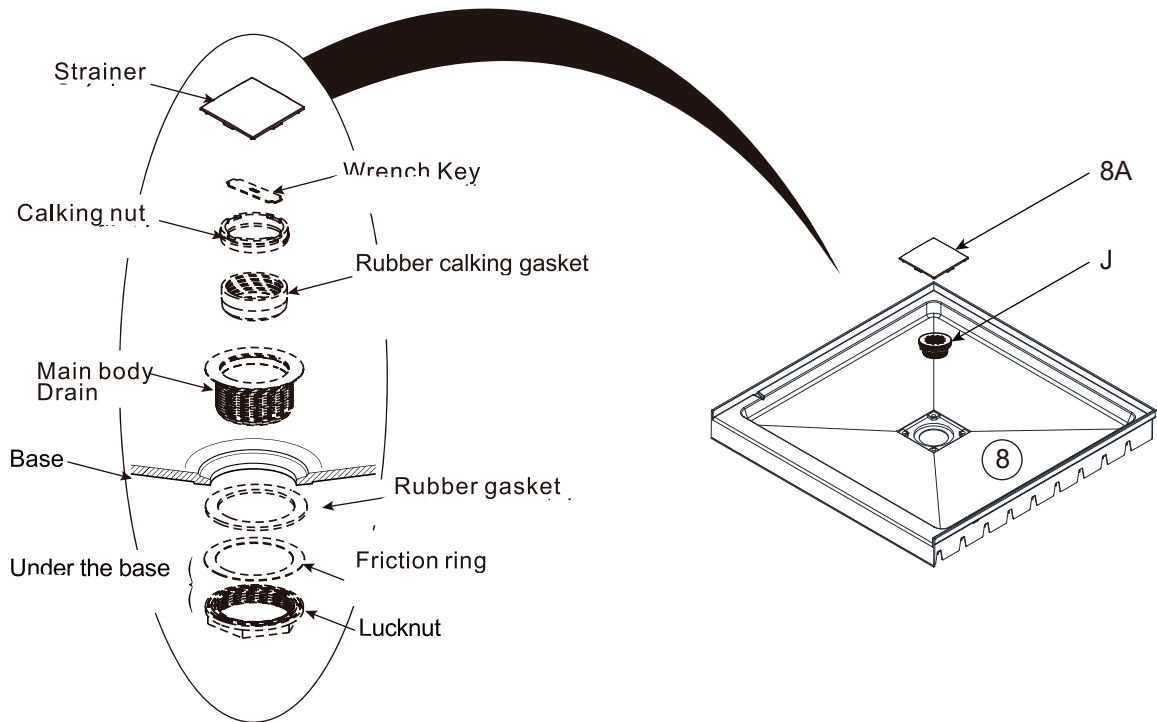


Fig.4

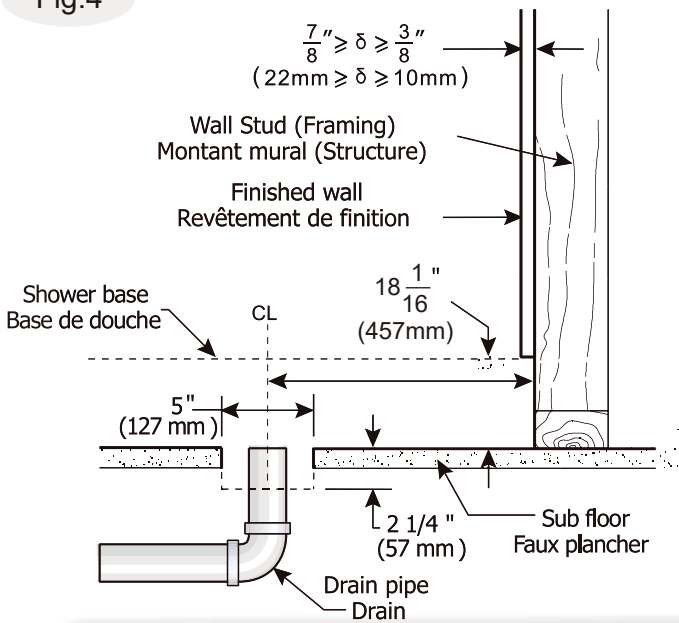


Fig.4: To compensate for any irregularities in your floor, the base must be shimmed properly from underneath to provide a level threshold for mounting purposes. Any shims must support the entire base: not only at one point. Verify this by standing on the base, once shimmed, and check for any spring or bounce in the base. Particularly near drain area. Before final installation (wedge retainer insertion (Fig.4) make sure the base is level and that water drains away properly without "pooling" at any location. Use tape around drain to seal temporarily and pour 1-2 cups of water around extremities of the tray to test drainage.

# Base installation

Fig.5

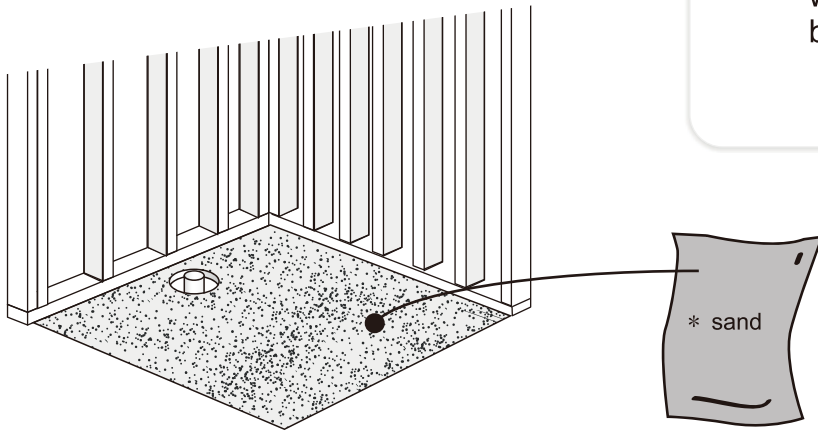


Fig.5:Pave the cement at the position where you want to install the base(#8).

Fig.6

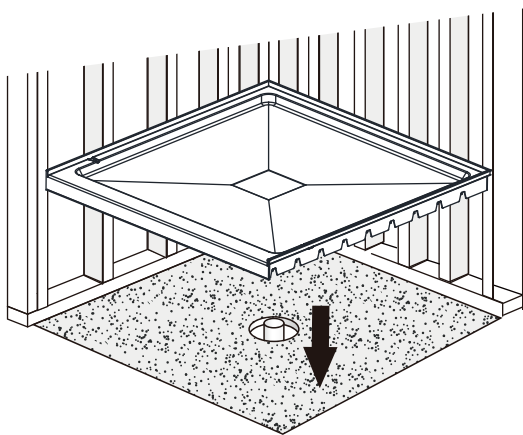
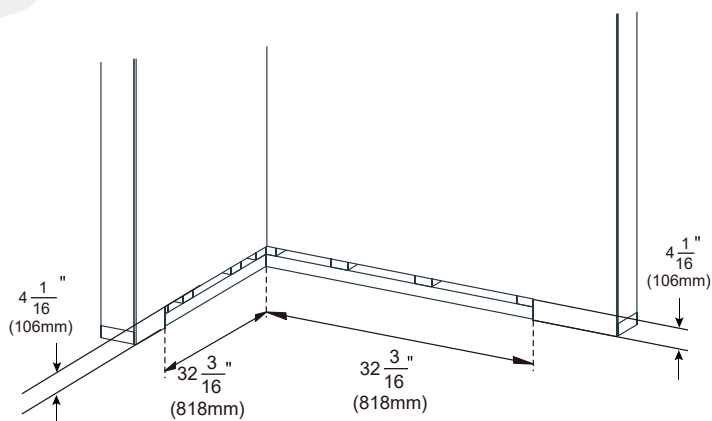


Fig.6:Put down the base on the cement.

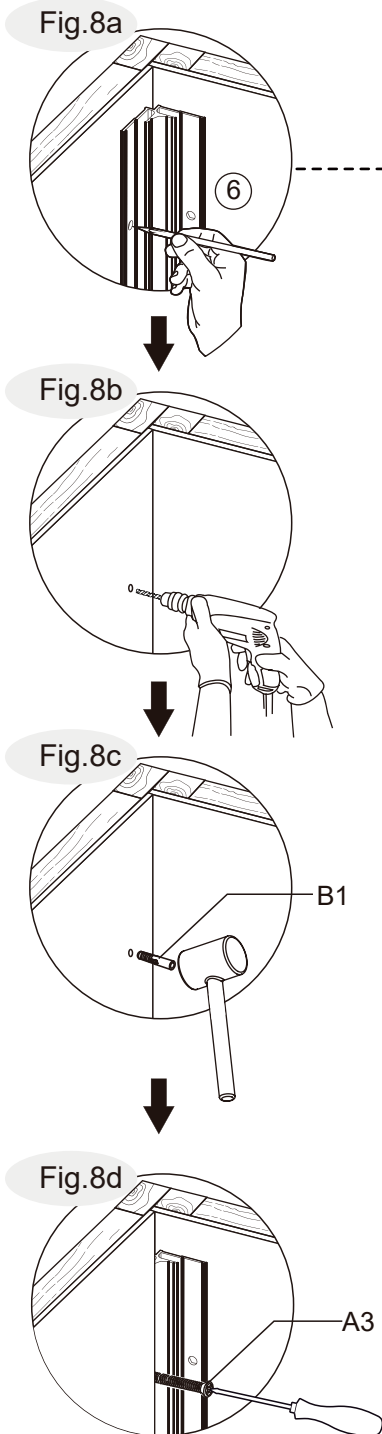
Fig.7



Note:the base is installed against the studs, not the finished walls. If necessary, remove finished wall to expose studs. Fig.7.

# INSTALLATION / INSTALLATION

Fig.8

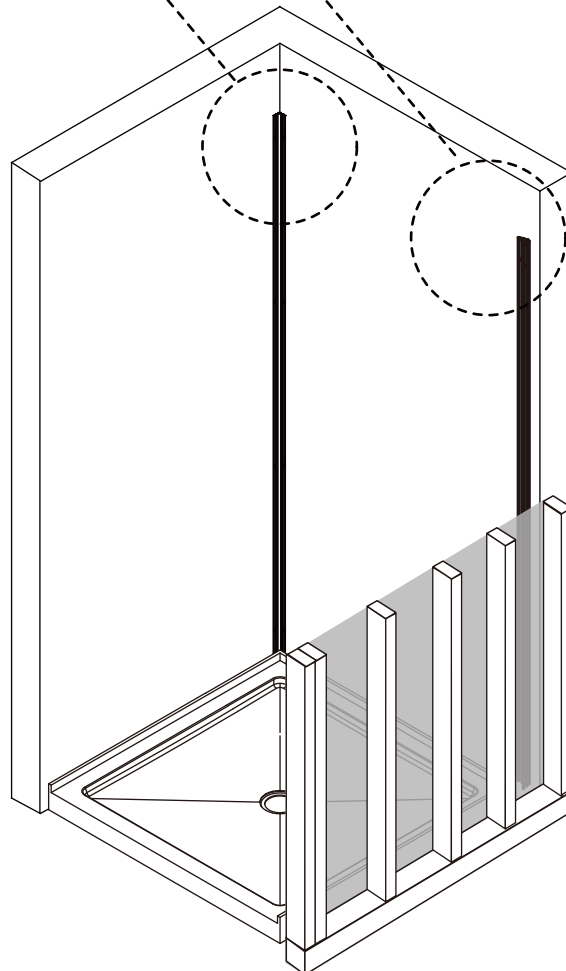


**Fig.8a** Place the wall profile in the corner where you want to install. Use a pencil to mark the fastening holes

**Fig.8b** Remove the wall profile and drill a holes at each marked position.

**Fig.8c** Insert the wall plugs into the holes using hammer.

**Fig.8d** Fasten the wall profile to the wall with the provided screws.



# INSTALLATION / INSTALLATION

Fig.9

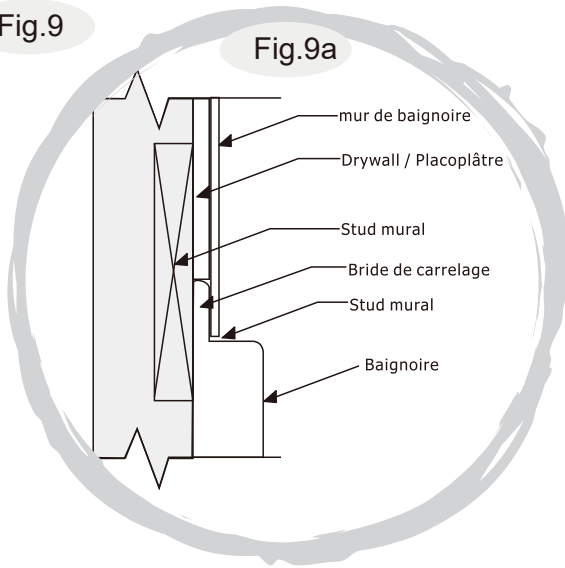


Fig.9a

**Fig.9a** Apply the adhesive to the wall profile and install the back panel into the wall profile as shown in illustration.

**Fig.9b** Cut nozzle of adhesive cartridge 1 cm (3/8") from the end at a 90° angle toward the tip.

In no case should the adhesive bead be larger than a common pencil diameter - 5 mm (1/4").

Apply adhesive to back (matte side) and position panel on the back wall. See ADHESIVE INSTRUCTIONS for installation procedure. Fig. 9b.

**Fig.9c** Install the shower wall panel to the wall as shown in the illustration.



Fig.9c

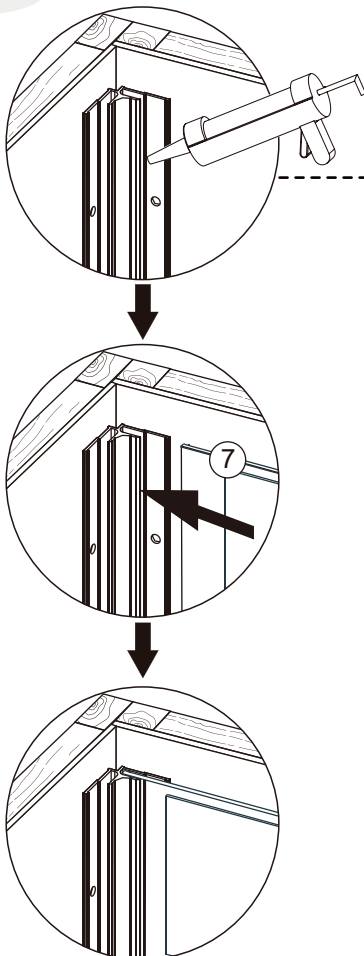
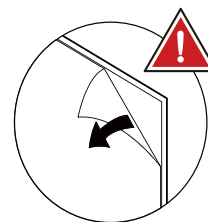
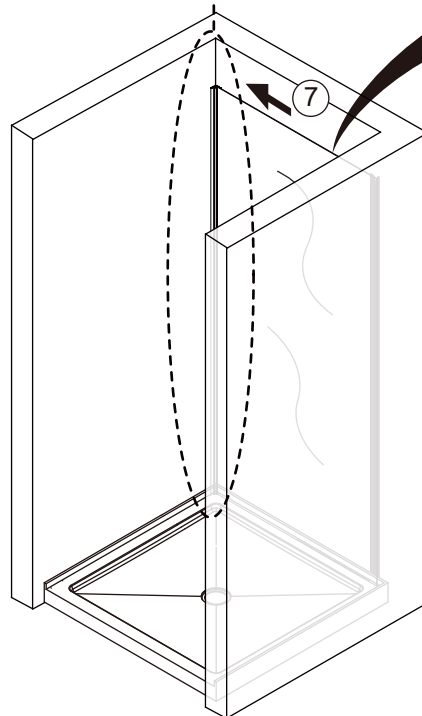
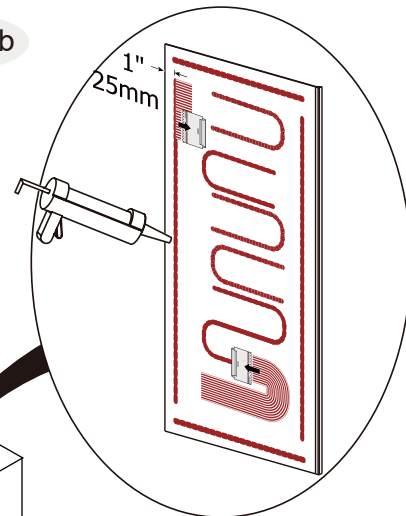


Fig.9b

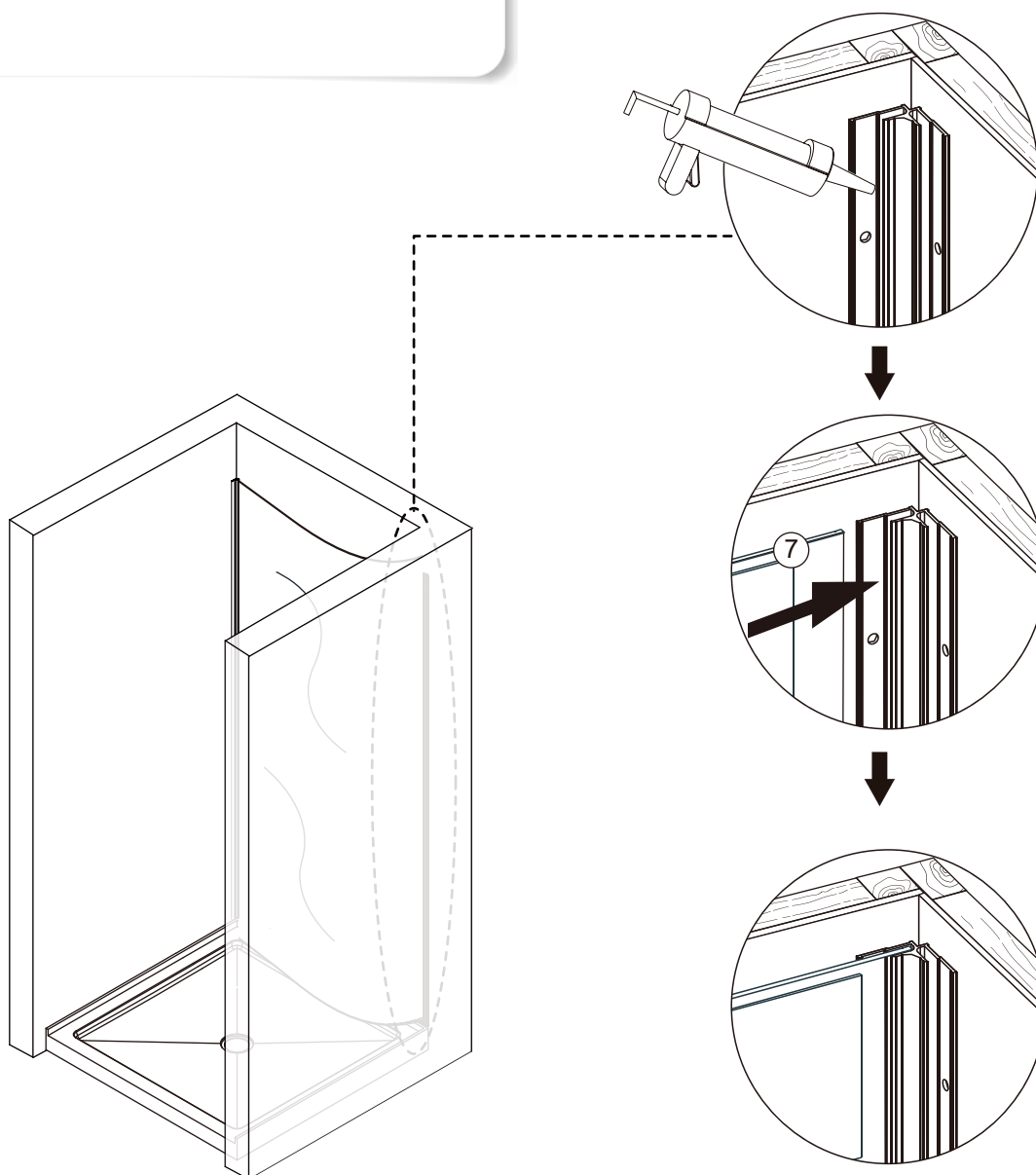
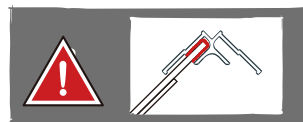


Remove the protective plastic from glossy side of panel

# INSTALLATION / INSTALLATION

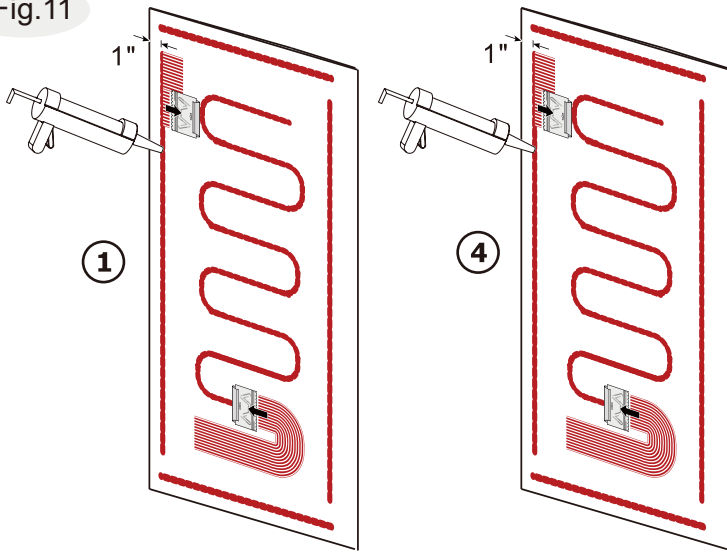
Fig.10

**Fig.10** Install the other side into the wall profile as shown in the illustration.



# INSTALLATION / INSTALLATION

Fig.11

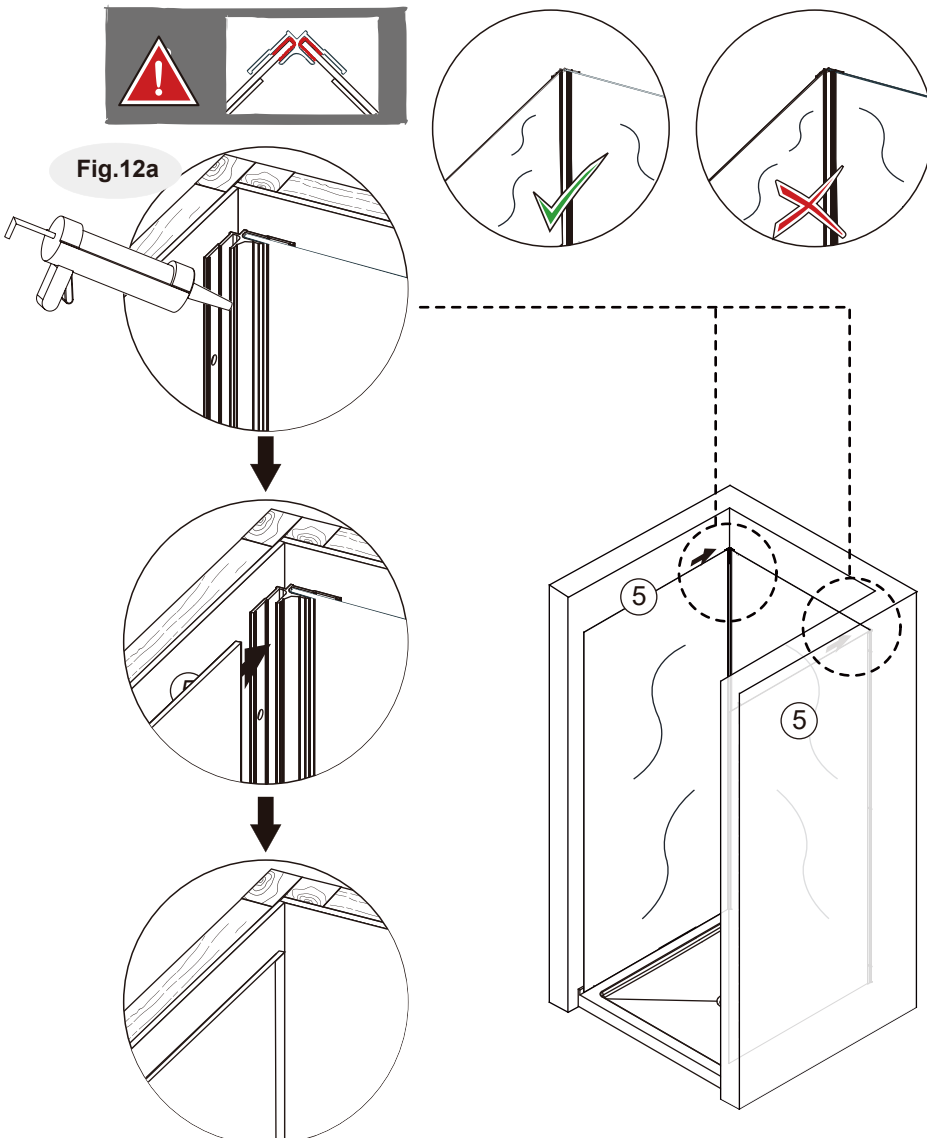


**Fig.11** Cut nozzle of adhesive cartridge 1 cm (3/8") from the end at a 90° angle toward the tip. In no case should the adhesive bead be larger than a common pencil diameter - 5 mm (1/4"). Apply adhesive to back (matte side) and position panel on the back wall. See ADHESIVE INSTRUCTIONS for installation procedure. Fig.11.

Fig.12



Note: Wide flat edge outward



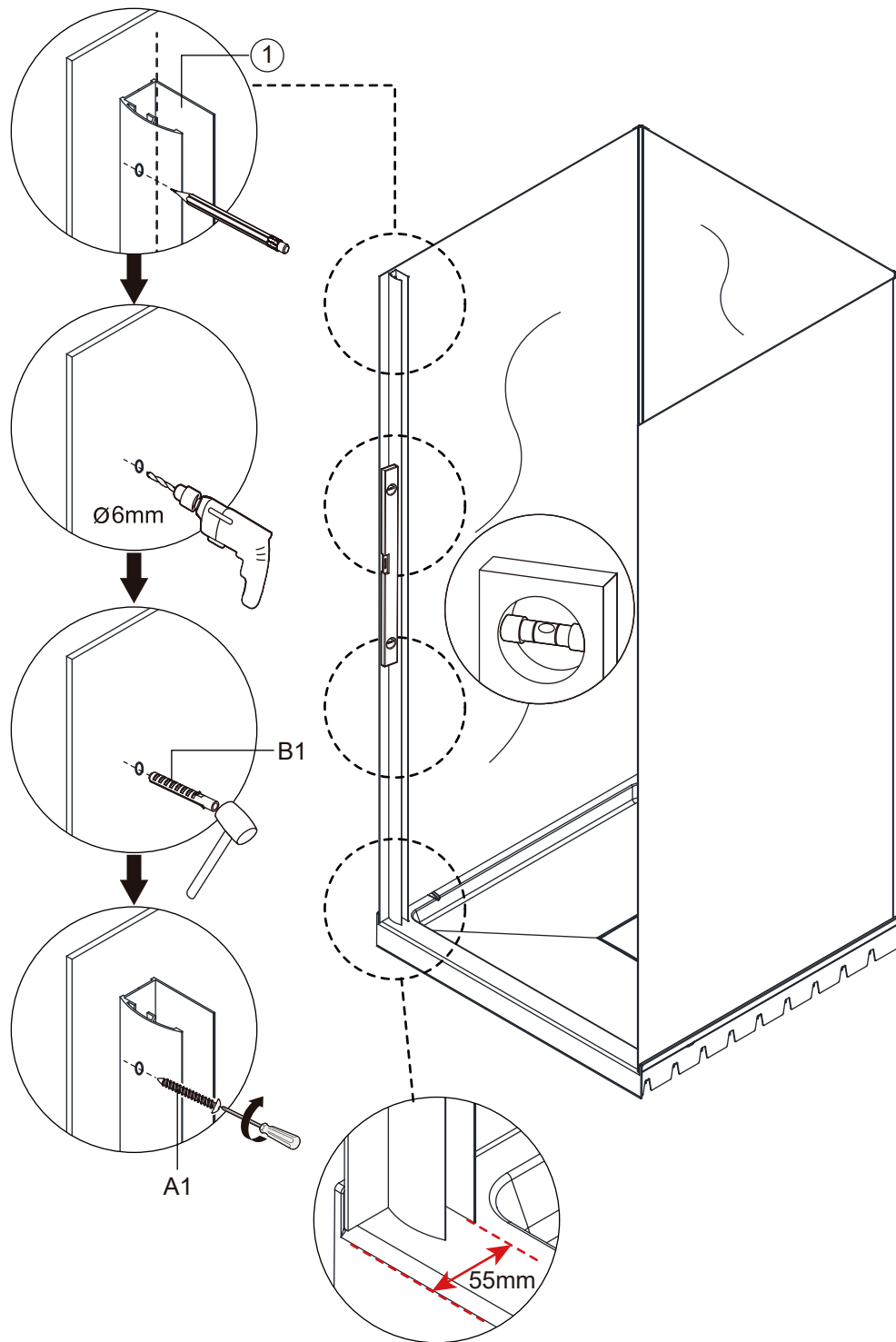
**Fig.12** Install the shower wall panel to the wall as shown in the illustration.

**Fig.12a** Apply the adhesive to the wall profile and install the side panels into the wall profile as shown in illustration.

Remove the protective plastic from glossy side of panel

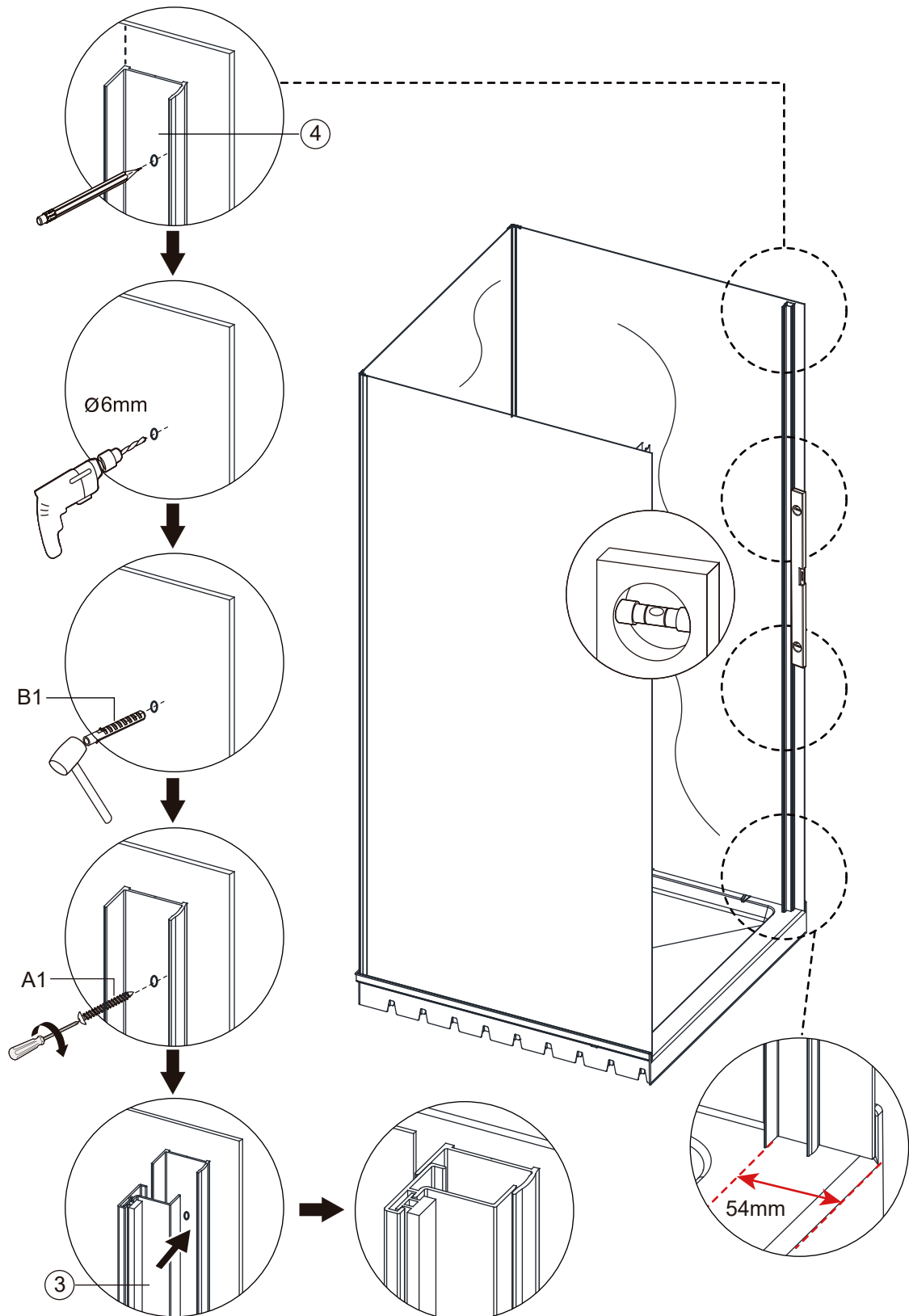
# Shower door Installation

Fig.13



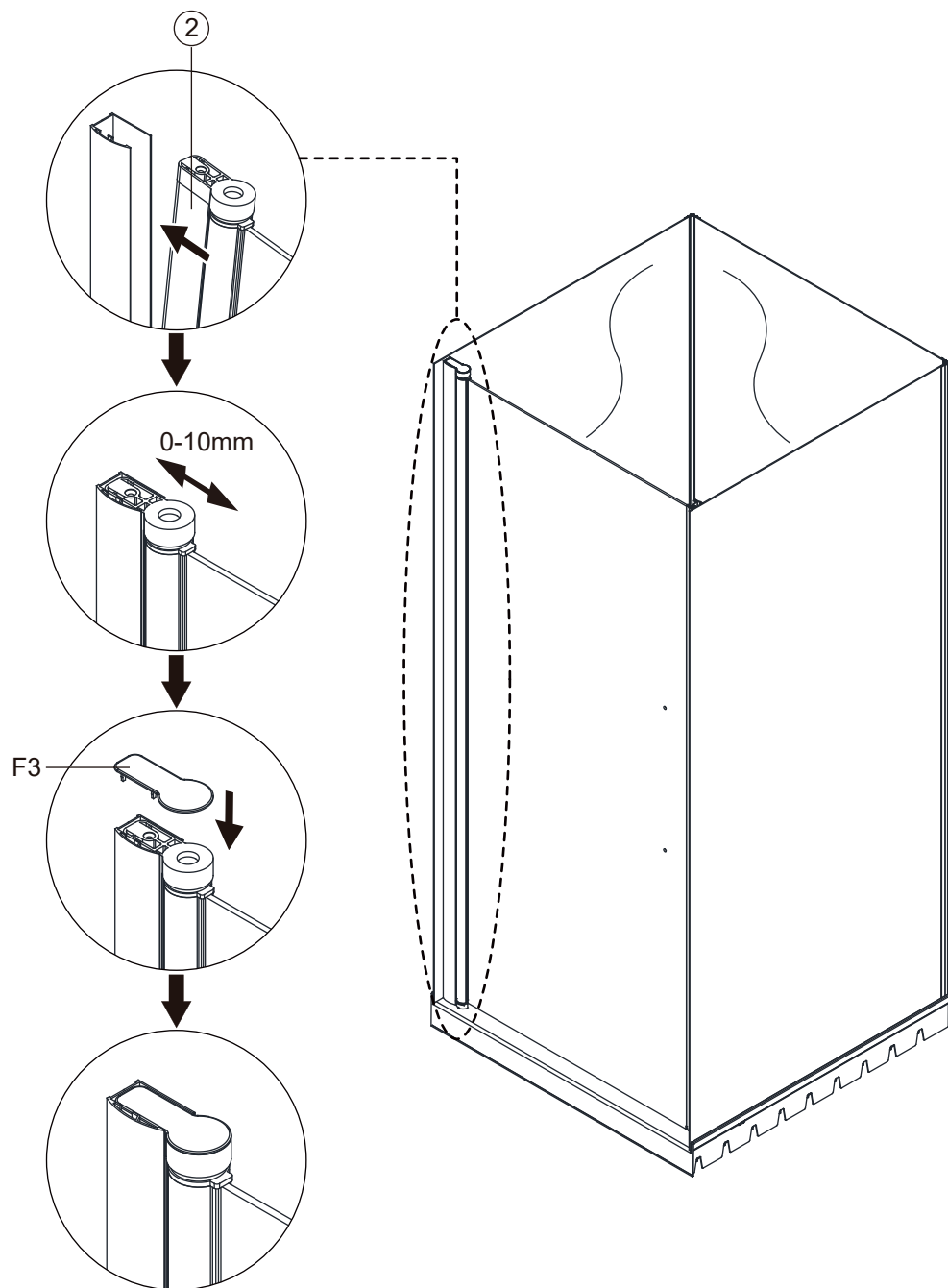
# Shower door Installation

Fig.14



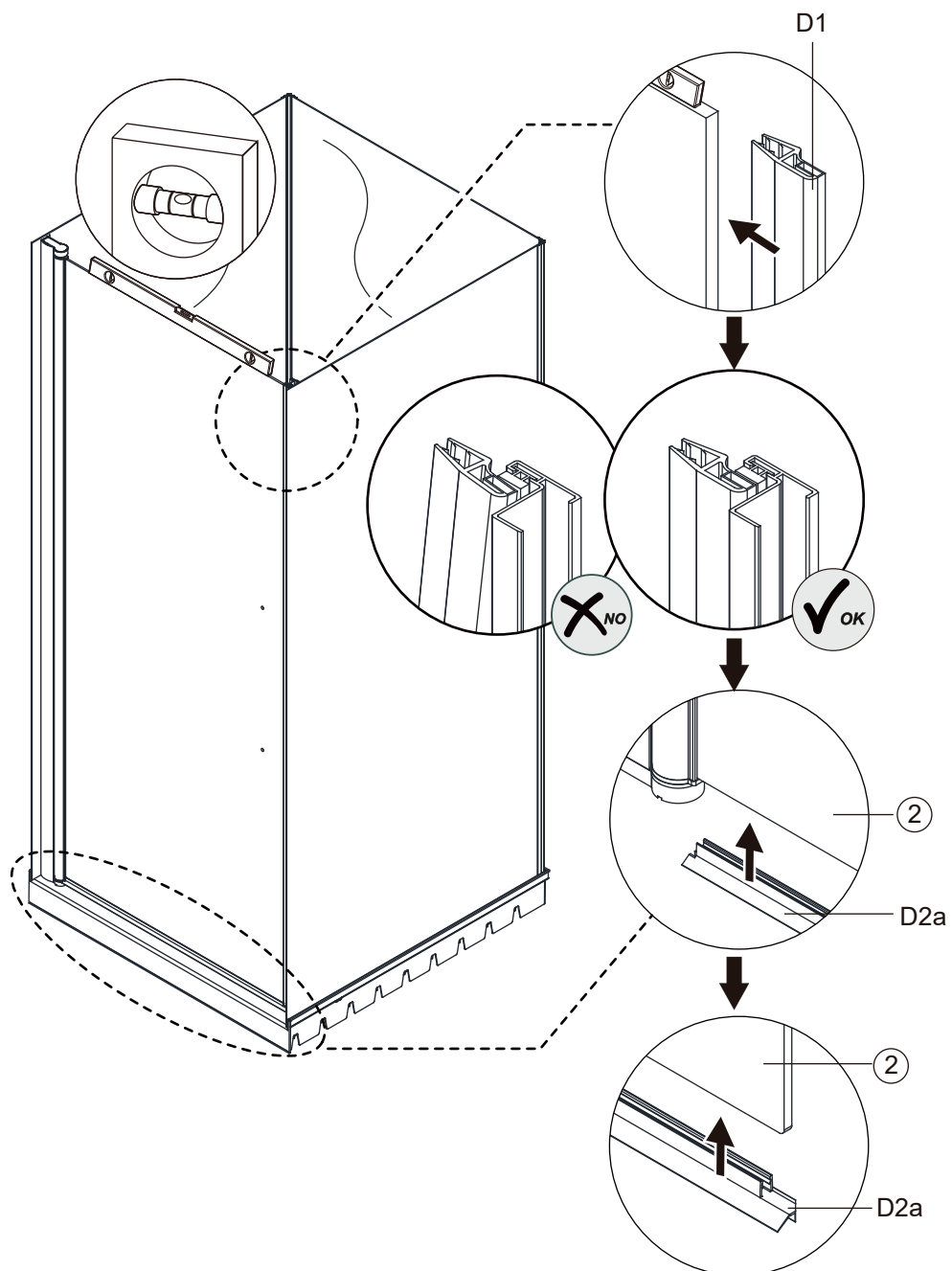
# Shower door Installation

Fig.15



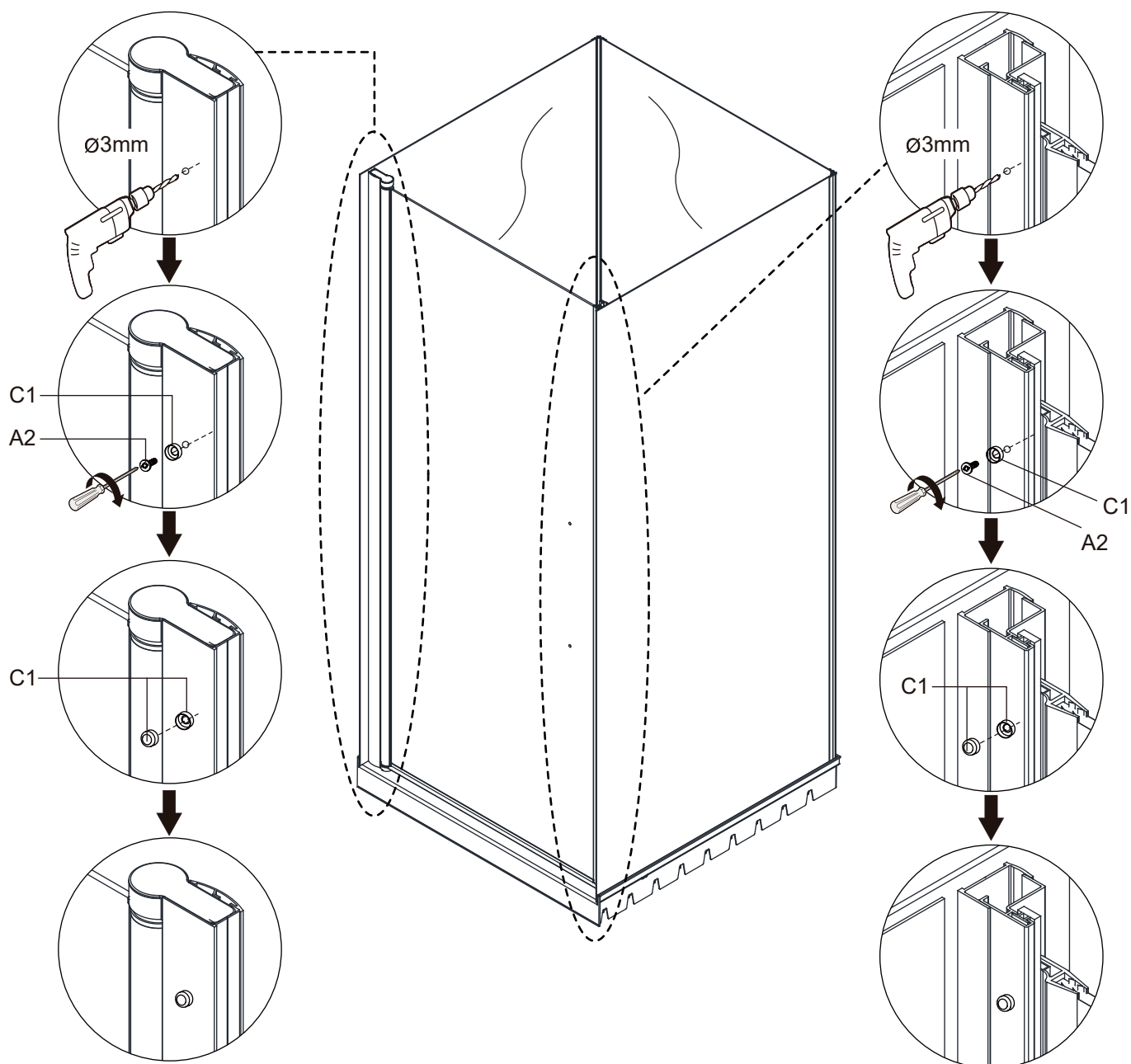
# Shower door Installation

Fig.15



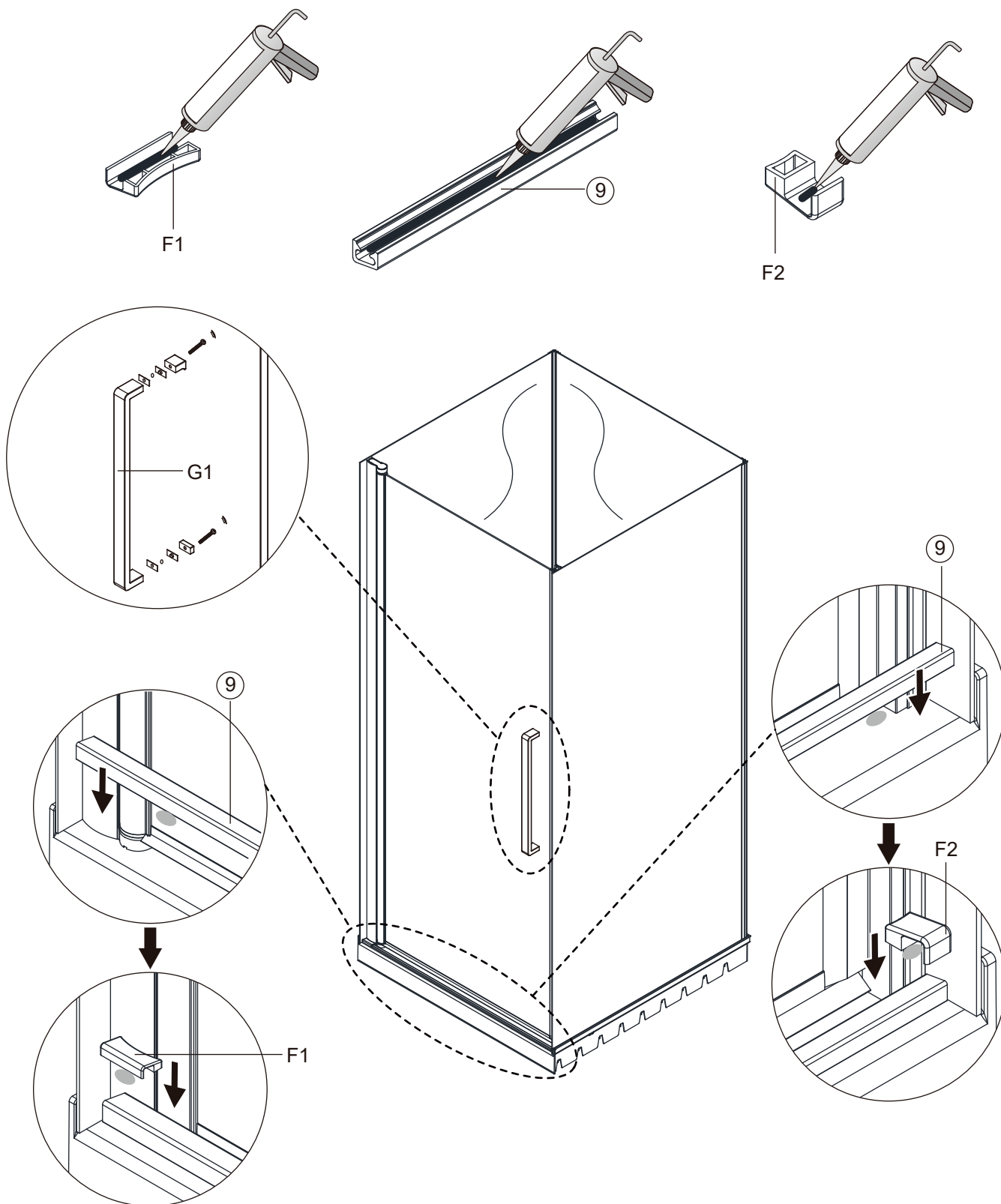
# Shower door Installation

Fig.16



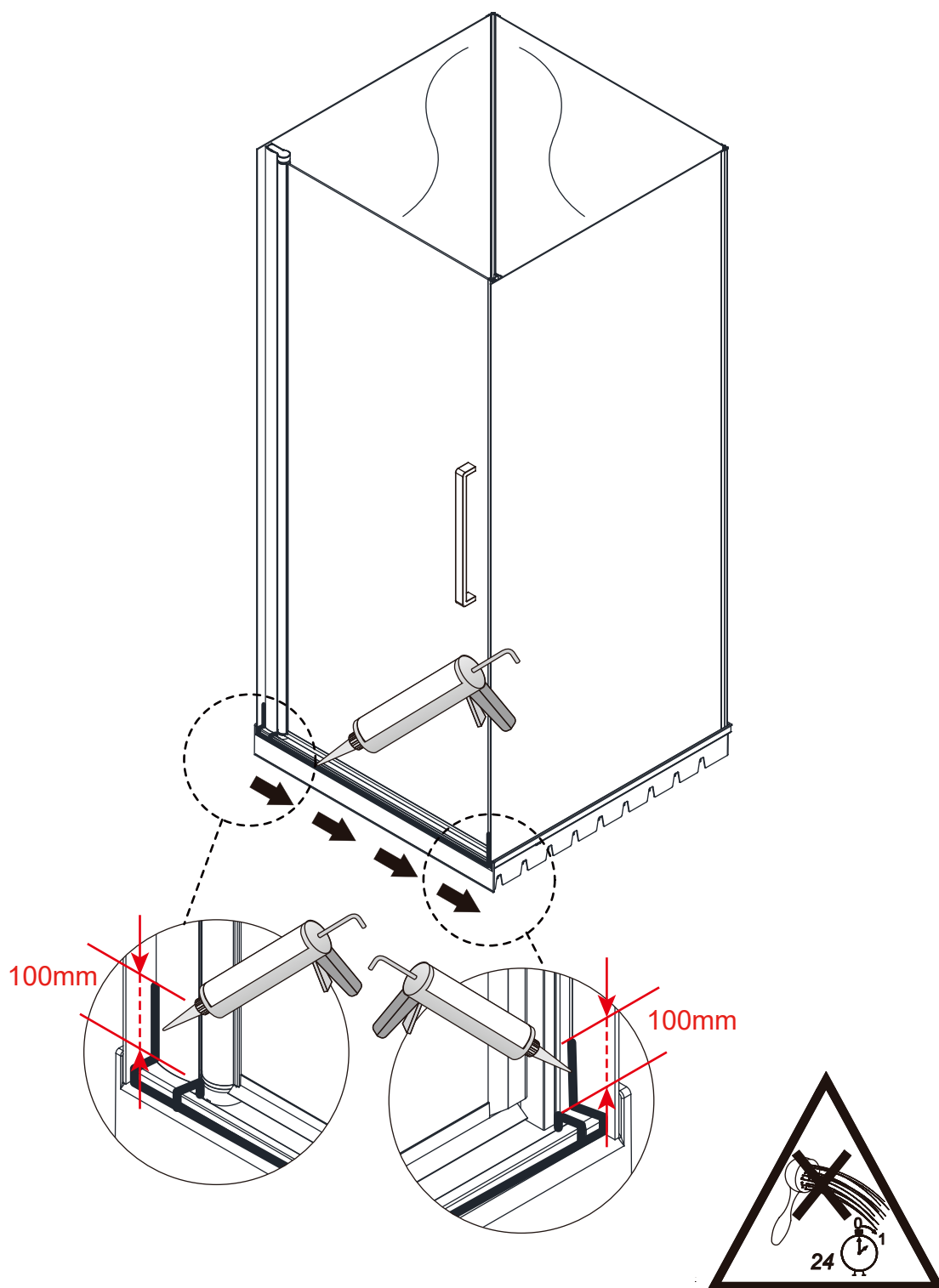
# Shower door Installation

Fig.17



# Shower Door Installation

Fig.18





We certify that our products will meet your needs with their style, but also with their manufacturing quality. To make sure that they are reliable and safe, each product was carefully inspected, tested and approved during the quality control process that is in place.

### To whom does this warranty apply?

A **1-year limited warranty on shower bases and doors** from the date of purchase, exclusive to the first buyer as long as he/she resides in the same property. The warranty is intended for residential and/or domestic use.

### Care instructions

Clean the product with water and a mild detergent. Abrasive or corrosive cleaners, steel wool, acetone, dry cleaning products or ammonia compounds must never be used to clean the product. If a shower mat is used, it must be removed right after each use. We recommend the use of cleaning products that are made for acrylic specifically.

### What is covered by the warranty?

|                        | 1 Year*                                                        | 1 Year*                                              |
|------------------------|----------------------------------------------------------------|------------------------------------------------------|
| <b>Bases and walls</b> | Drain, drain cover, polypropylene and PVC                      | Acrylic and fiberglass against manufacturing defects |
| <b>Shower doors</b>    | Wheels, handles, diverter, screws, rails, towel bars and guide | Tempered glass                                       |

\*From the date of purchase.

Should there be any manufacturing defects that are not covered by the warranty, the product will need to be inspected prior to following through with the claim. Without that verification, the brand will assume no charge and/or responsibility.

### What are the exclusions?

The warranty doesn't apply if the product is damaged as a result of misuse, overuse or non-residential use, neglect, lack of maintenance, or the use of corrosive or abrasive products, regardless of the person who did those damages. The warranty does not cover shipping and labor costs. The warranty does not apply to the normal tear and wear of the goods.

The warranty doesn't cover the damages caused by the acts of God or breakage resulting from a shock or mishandling, regardless of the part played by the buyer or the installer. It also excludes the damages caused by an improper installation.

Dreamwerks doesn't cover damages caused by a water leak, even if they result directly or indirectly from a product defect, except where the applicable legislation does not allow any exclusion or limitation following indirect or consequential damages.

It is fair to say that if the product has a manufacturing defect, it will show as soon as it is installed or shortly after. However, a leak caused by an improper installation could happen a long time after. Therefore, it is strongly advised to have it done by a professional.

**All warranty claims must include the invoice copy.**

**Should a part or product component be defective or the finish damaged following a normal domestic and residential use, Dreamwerks commits to replacing the defective part(s) to the first buyer only. Dreamwerks could also, in its sole discretion, commit to offer a full replacement. No indemnity shall be claimed for loss of enjoyment of life, loss of income or losses caused by water.**

