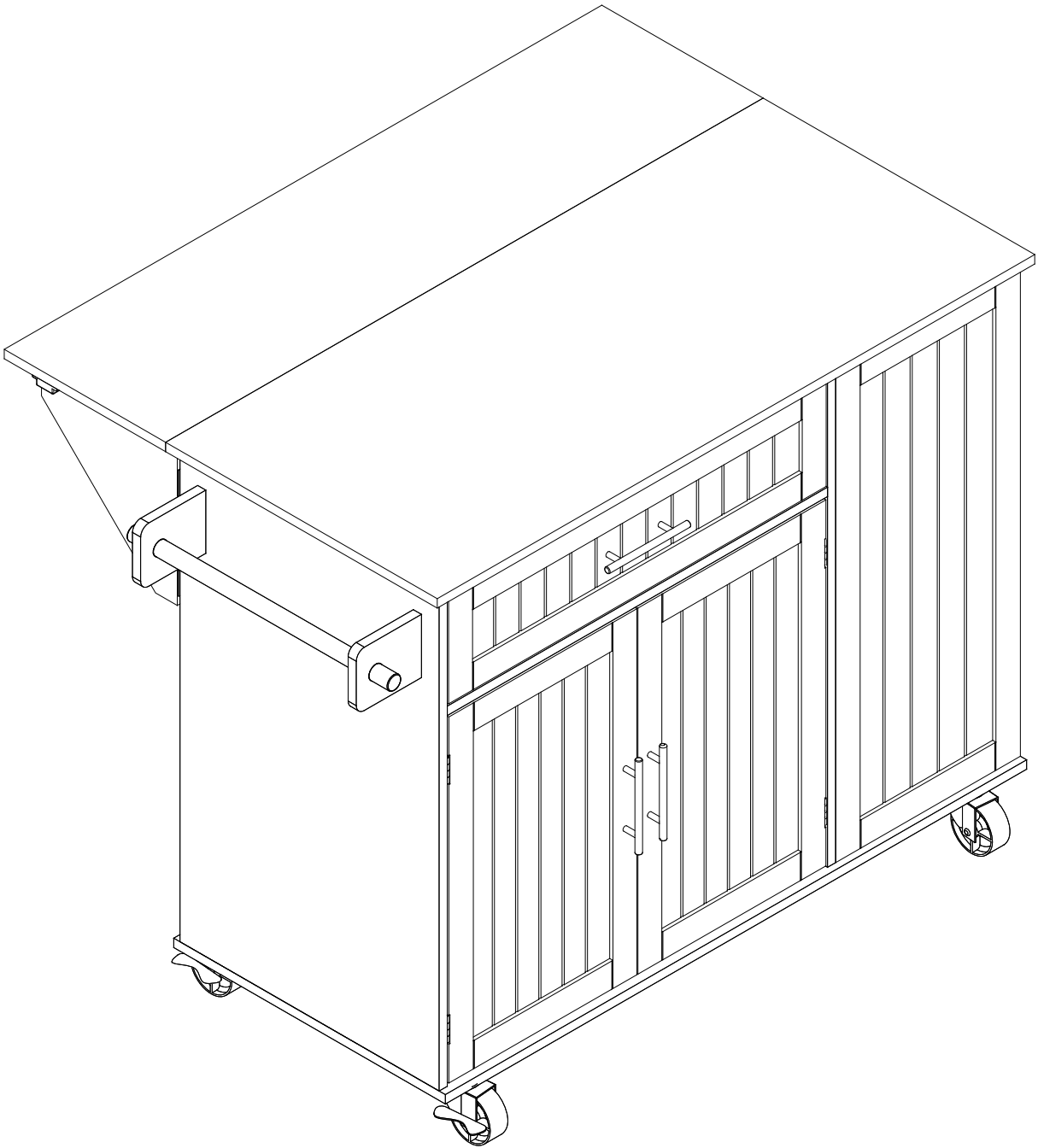
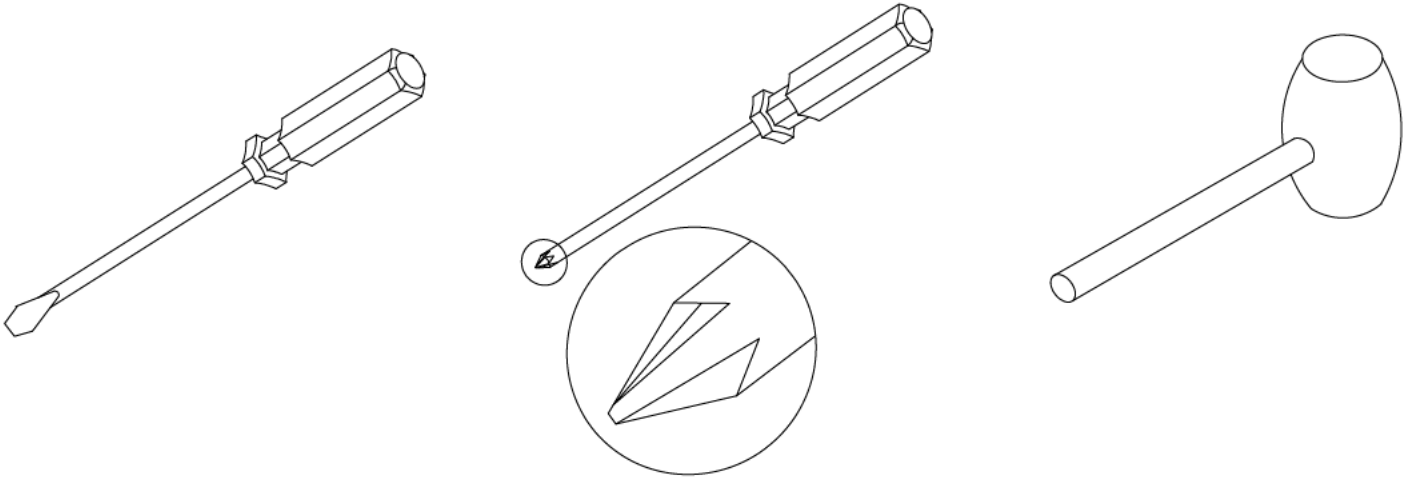


Storage Kitchen Island



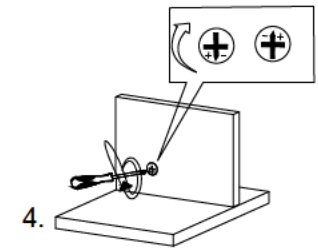
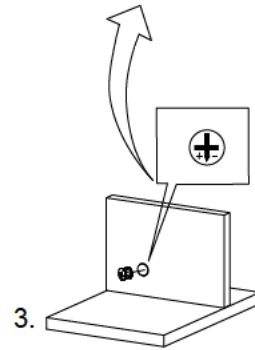
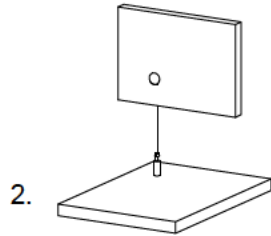
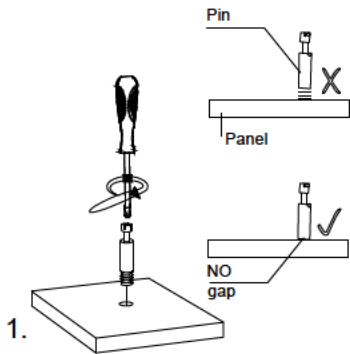
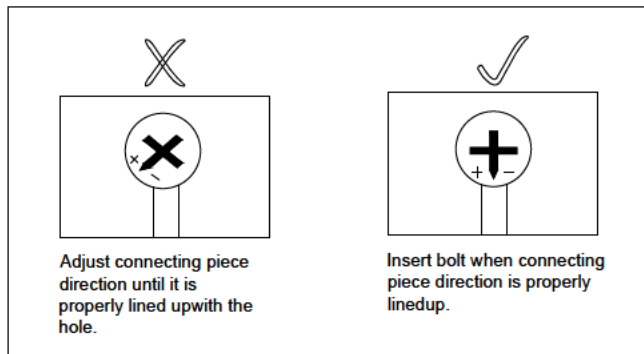
ASSEMBLY TOOLS REQUIRED (NOT INCLUDED)



Bolt

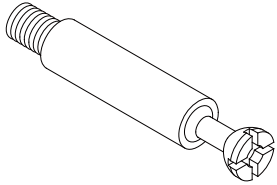


Connecting piece



Hardware Provided

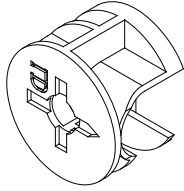
A



Ø6x35mm

X 57+3

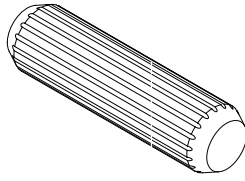
B



Ø15x10mm

X 57+3

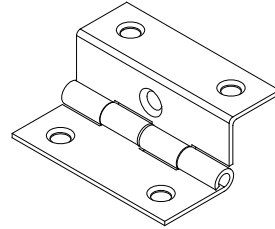
C



Ø6x30mm

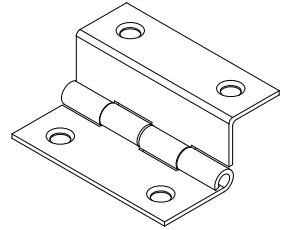
X 34+2

D



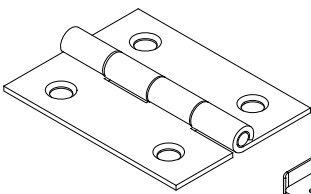
X 4

E



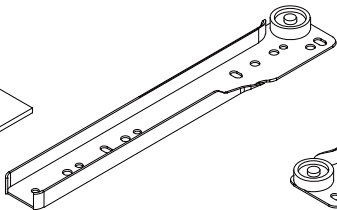
X 2

F



X 7

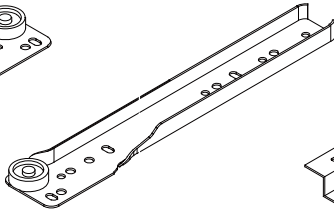
G



CL

X 1

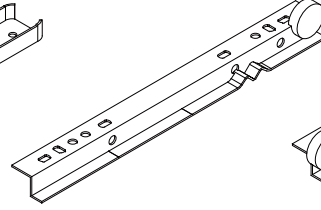
H



CR

X 1

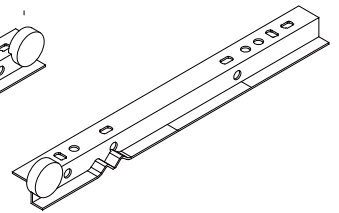
I



DL

X 1

J

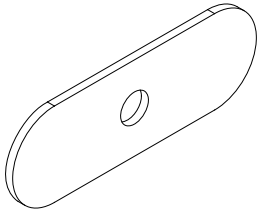


DR

X 1

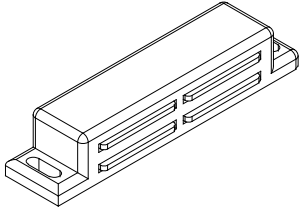
Hardware Provided

K



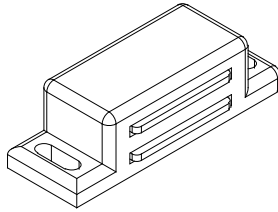
X 4

L



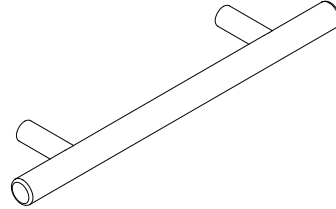
X 1

M



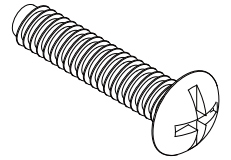
X 2

N



X 4

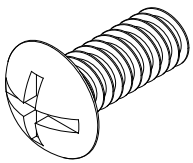
O



M4x16mm

X 6

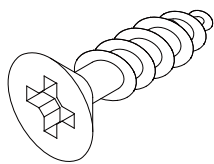
P



M4x10mm

X 2

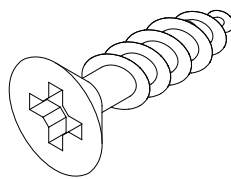
Q



Ø3x12mm

X 74+4

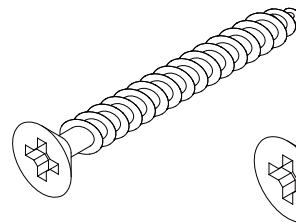
R



Ø3.5x12mm

X 8

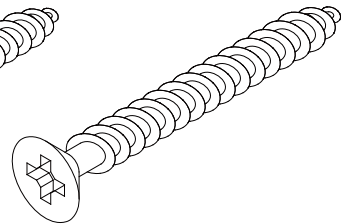
S



Ø4x35mm

X 21

T

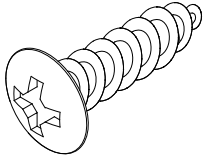


Ø4x40mm

X 4

Hardware Provided

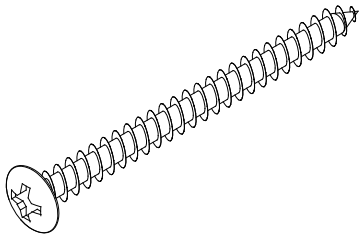
U



Ø4x14mm

X 20+2

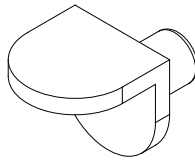
V



Ø4x55mm

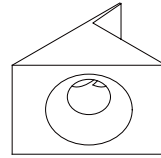
X 1

W



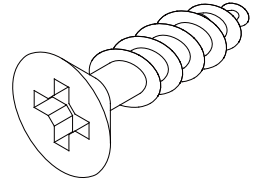
X 4

X



X 6

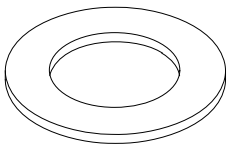
Y



Ø3x14mm

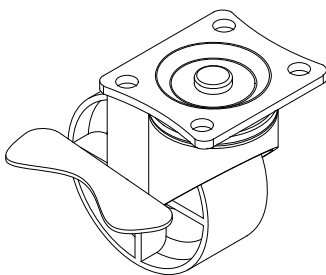
X 6

Z



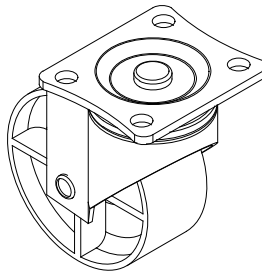
X 20+2

a



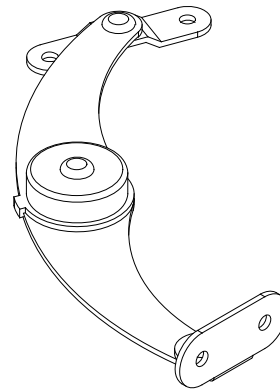
X 2

b



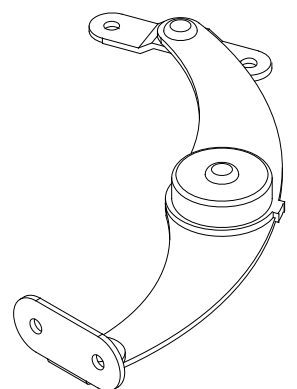
X 3

d



X 1

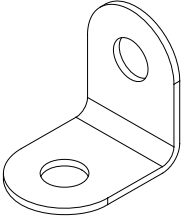
e



X 1

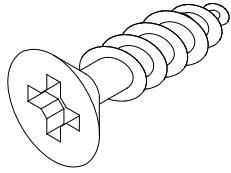
Hardware Provided

f



X 2

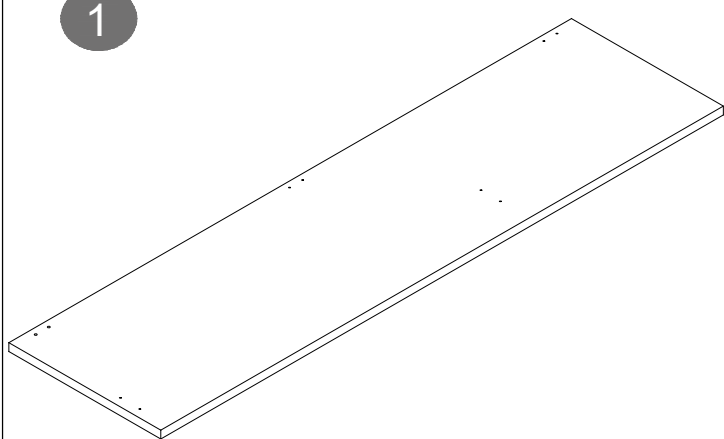
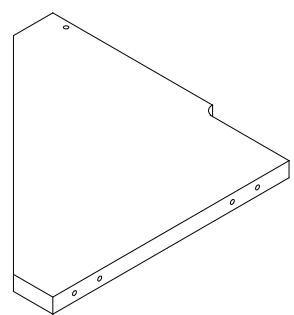
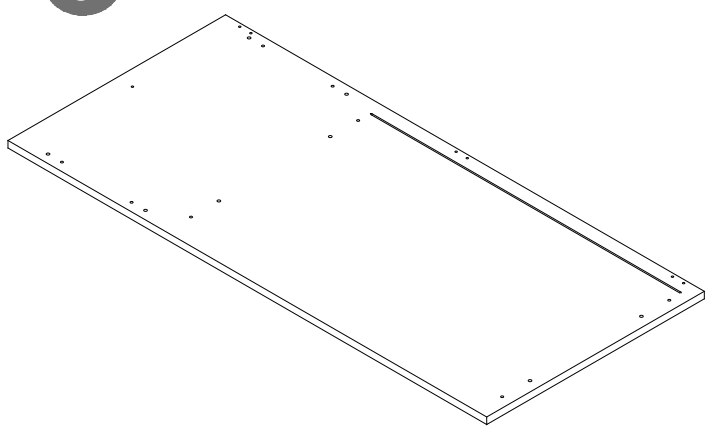
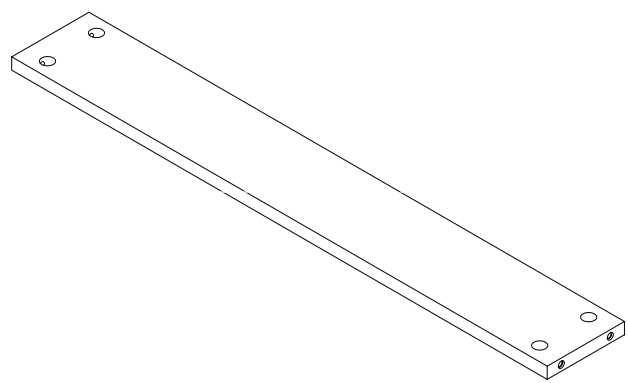
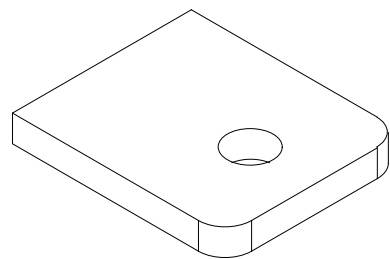
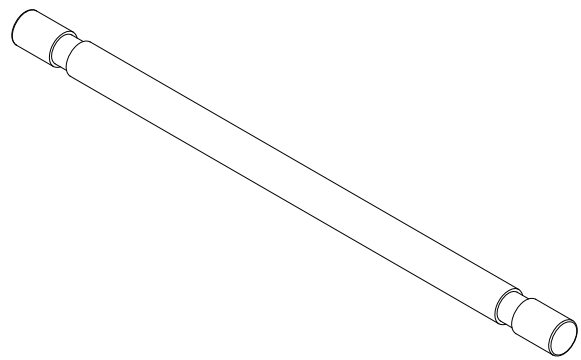
g



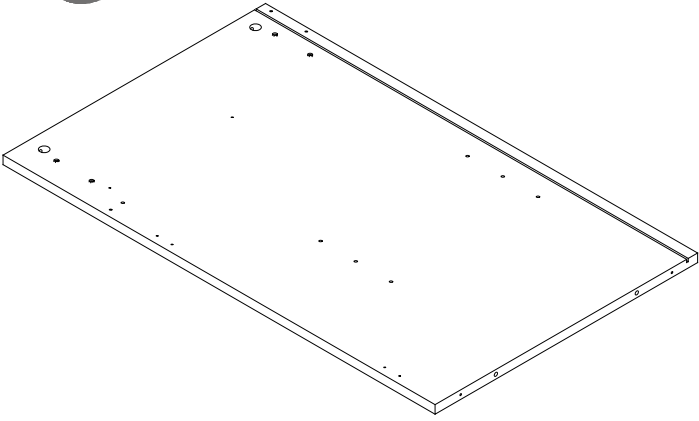
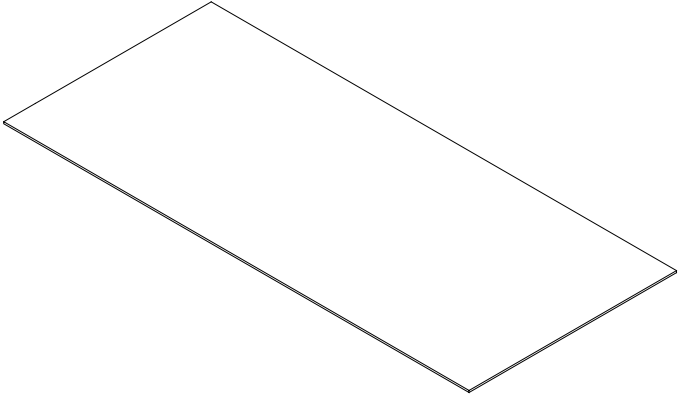
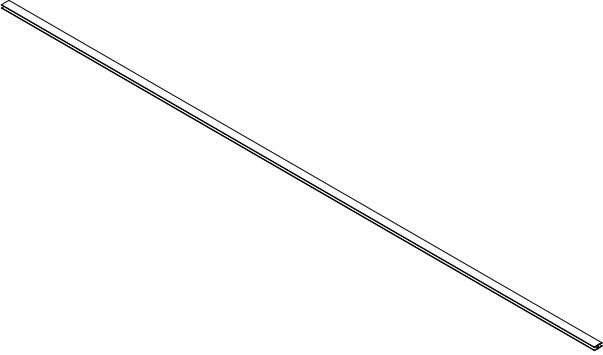
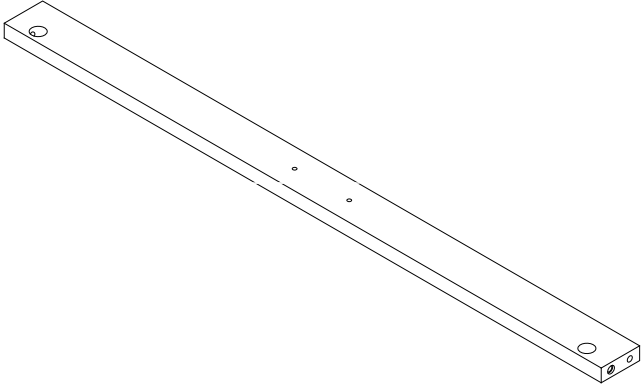
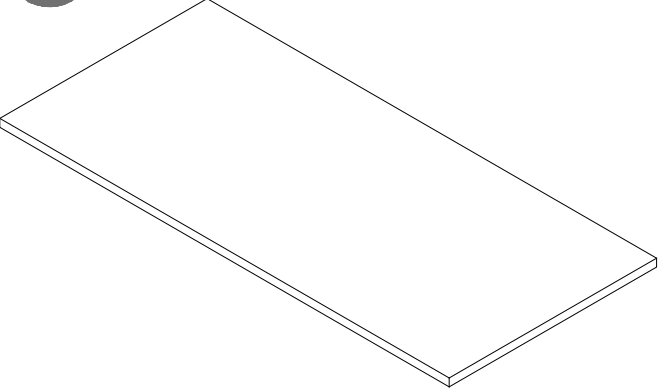
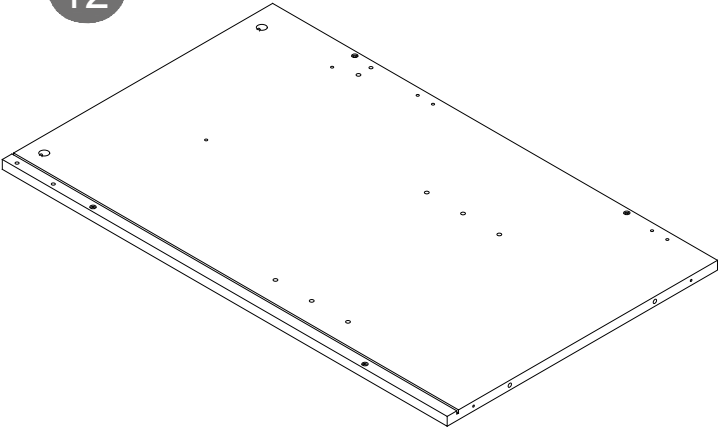
Ø4x12mm

X 4

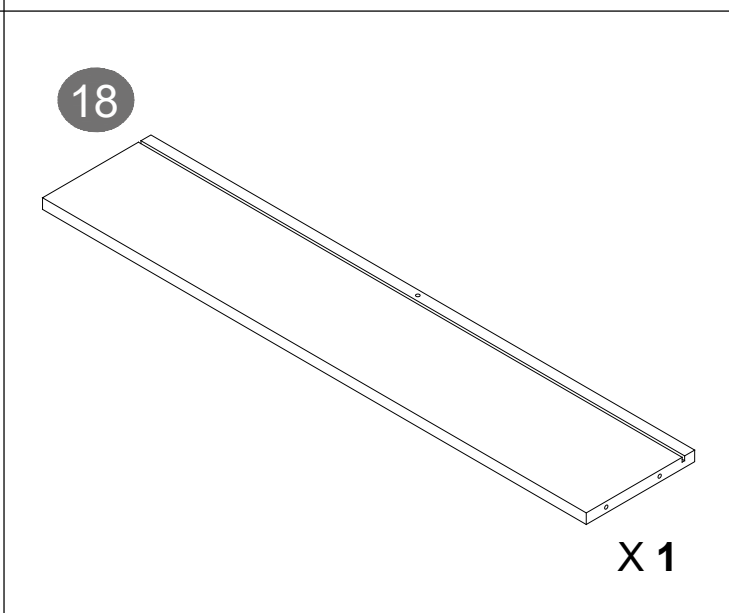
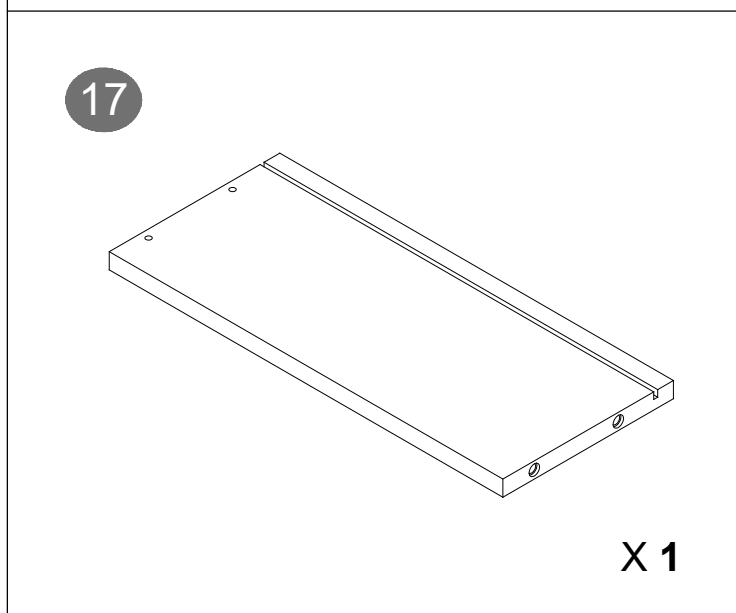
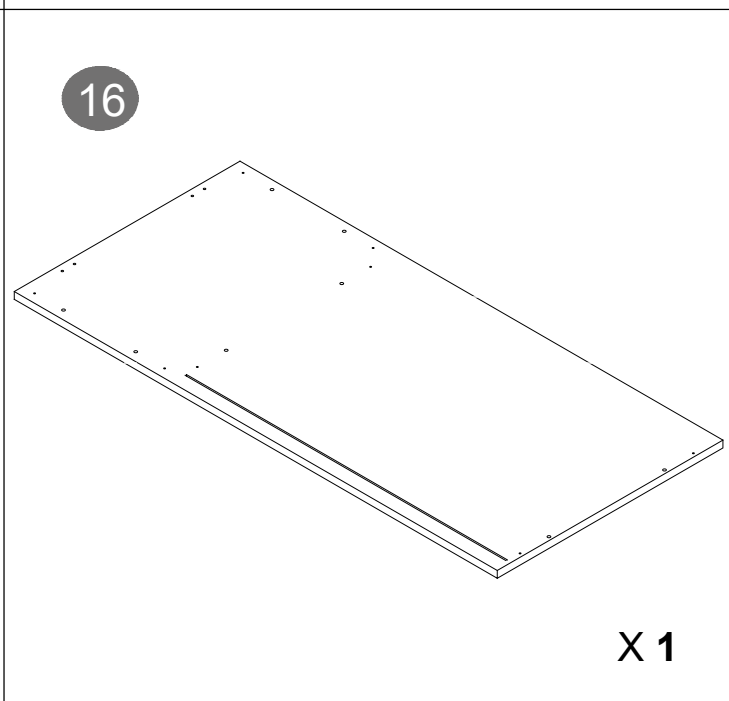
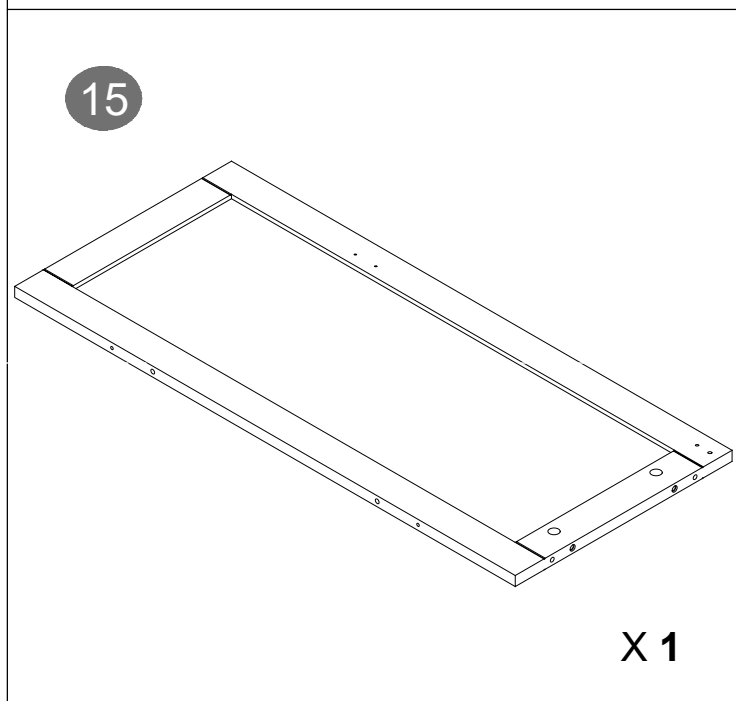
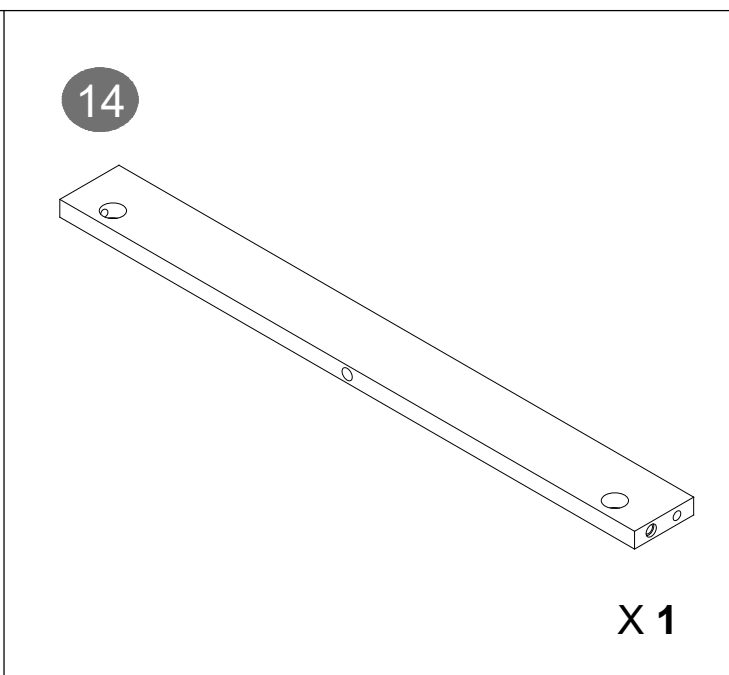
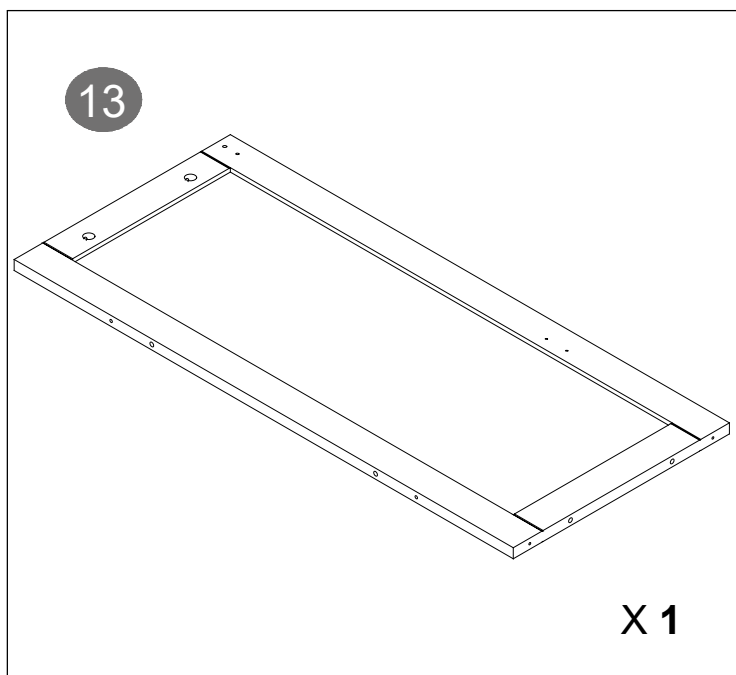
Parts Identification

<p>1</p>  <p>X 1</p>	<p>2</p>  <p>X 2</p>
<p>3</p>  <p>X 1</p>	<p>4</p>  <p>X 1</p>
<p>5</p>  <p>X 2</p>	<p>6</p>  <p>X 1</p>

Parts Identification

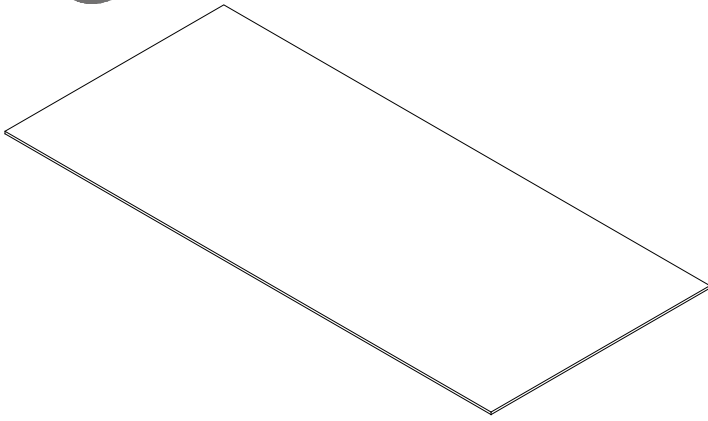
<p>7</p>  <p>X 1</p>	<p>8</p>  <p>X 2</p>
<p>9</p>  <p>X 1</p>	<p>10</p>  <p>X 1</p>
<p>11</p>  <p>X 1</p>	<p>12</p>  <p>X 1</p>

Parts Identification



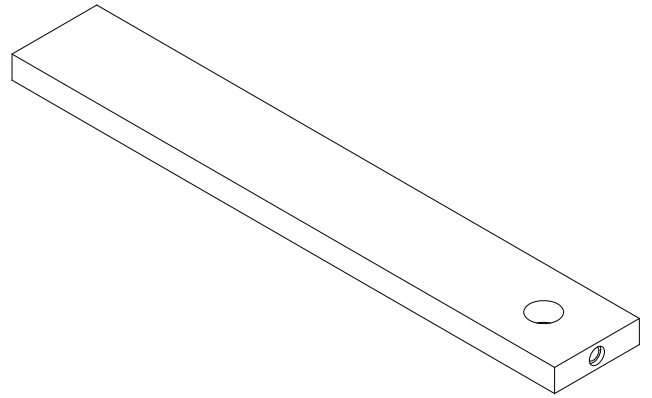
Parts Identification

19



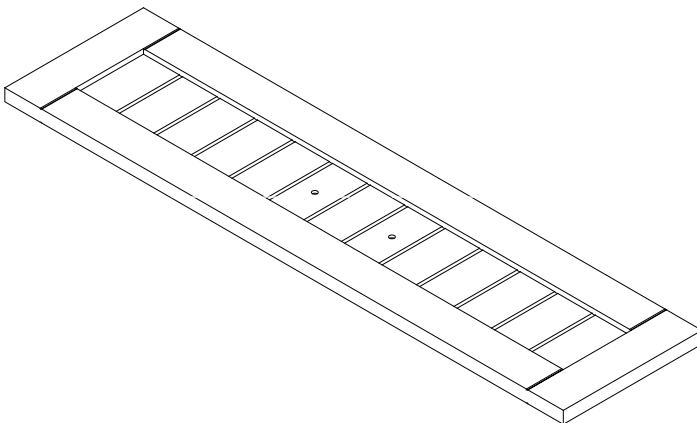
X 1

20



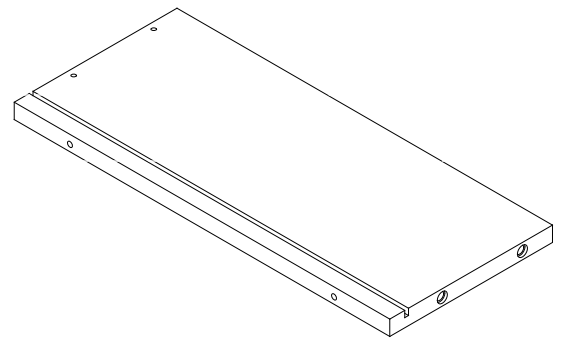
X 1

21



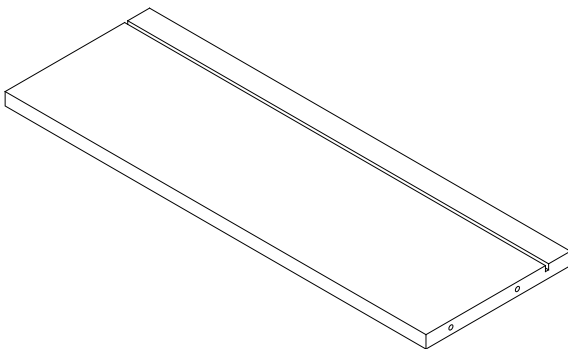
X 1

22



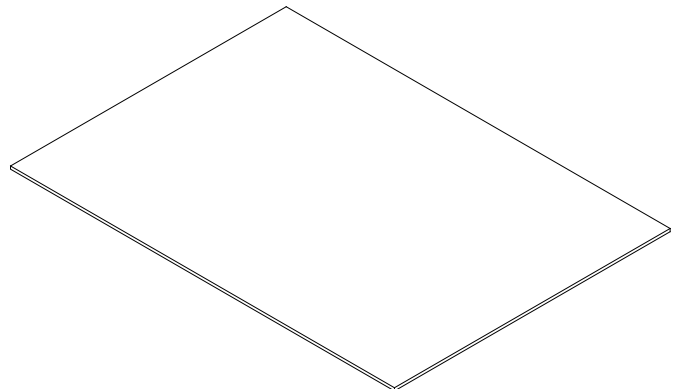
X 1

23



X 1

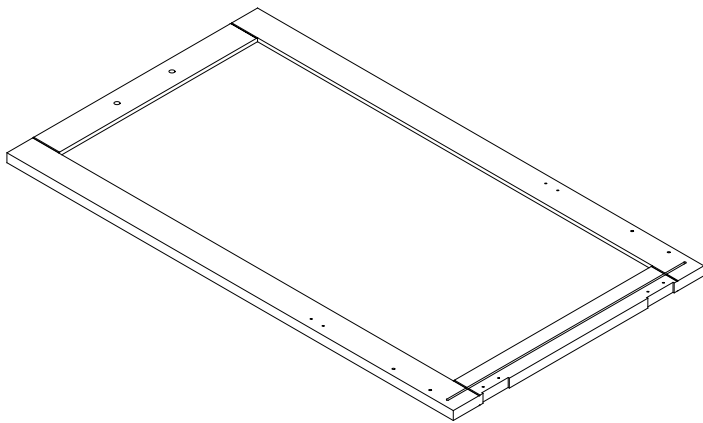
24



X 1

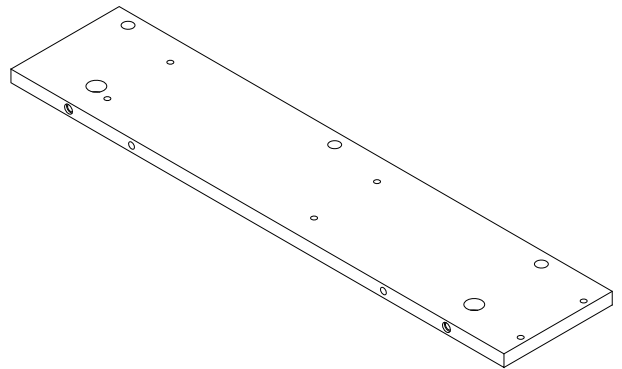
Parts Identification

25



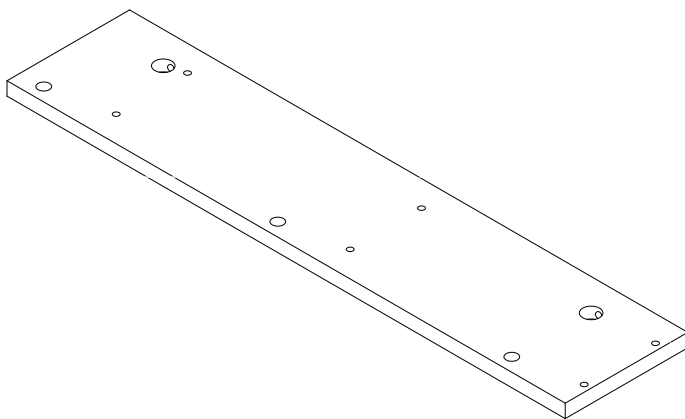
X 1

26



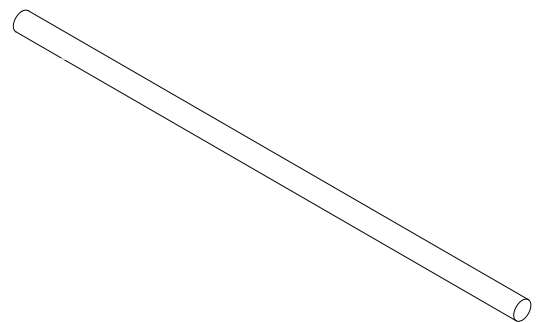
X 2

27



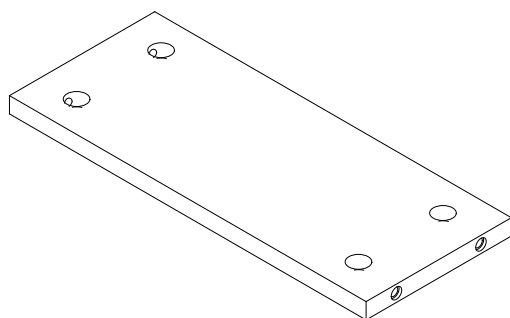
X 2

28



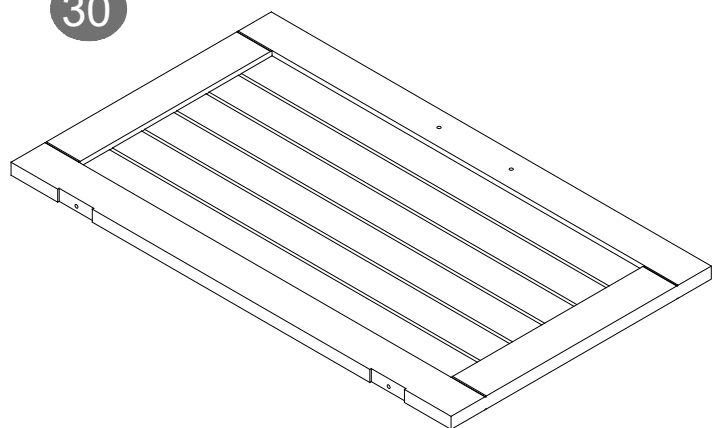
X 6

29



X 6

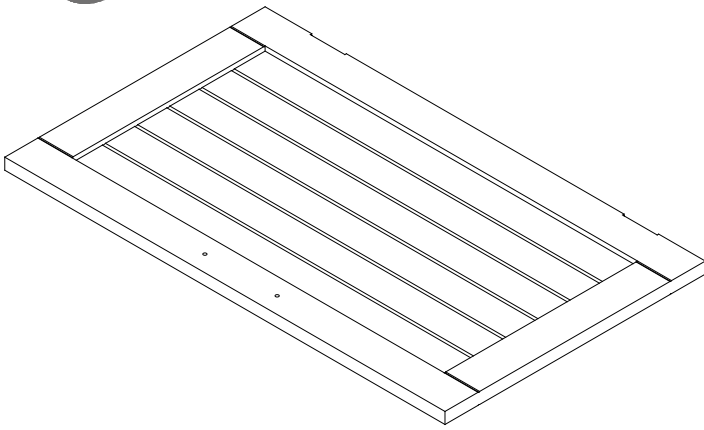
30



X 1

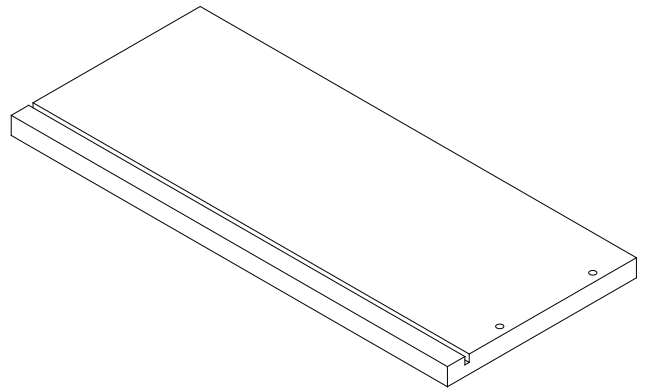
Parts Identification

31



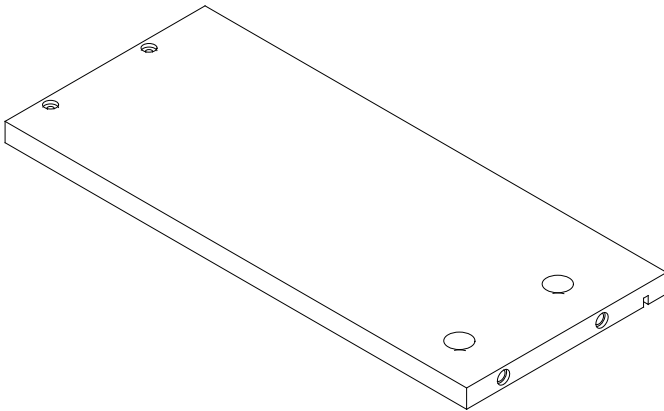
X 1

32



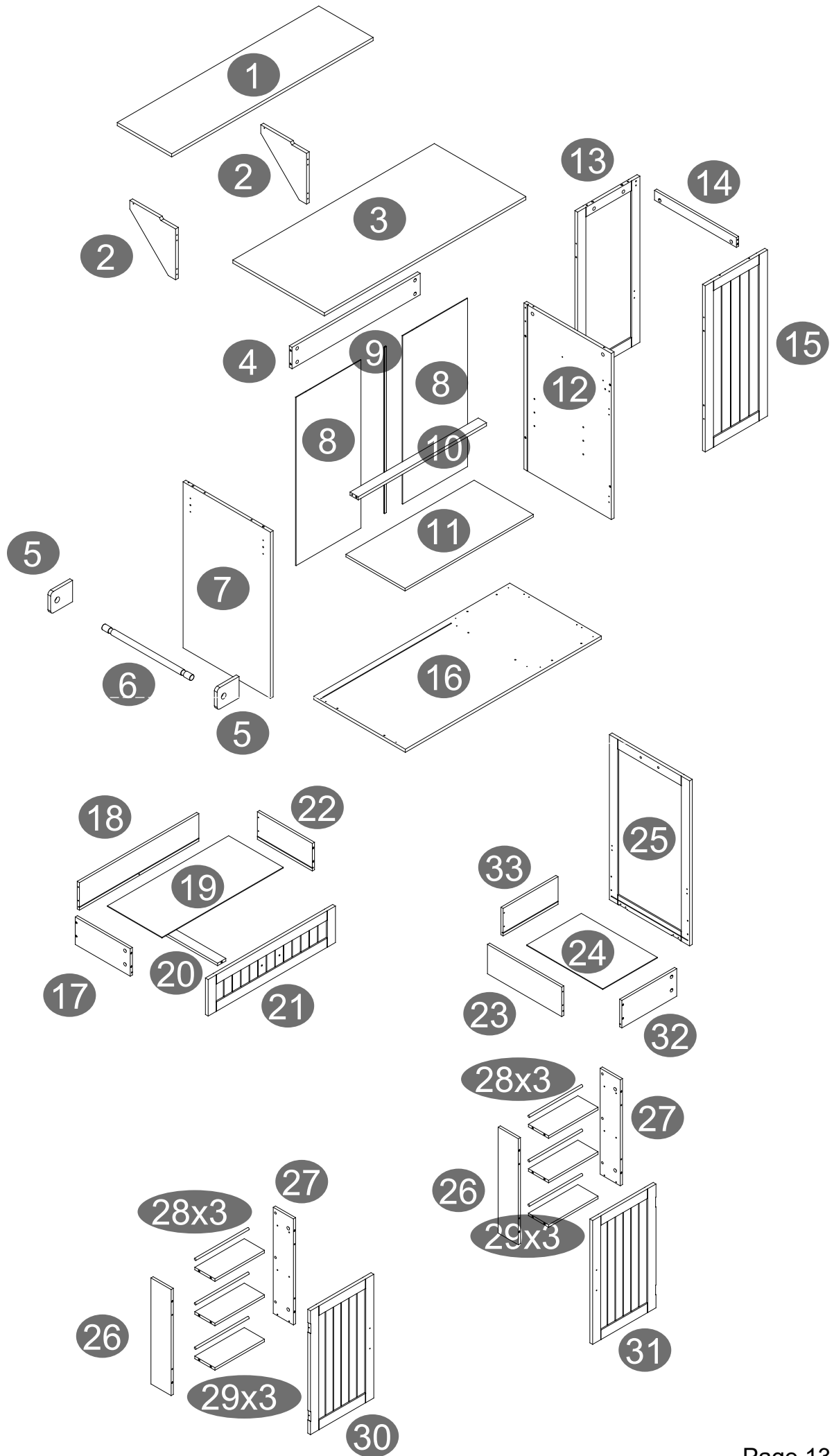
X 1

33

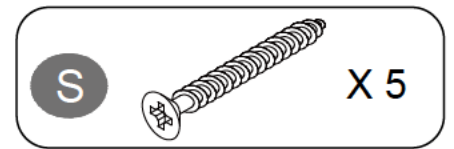
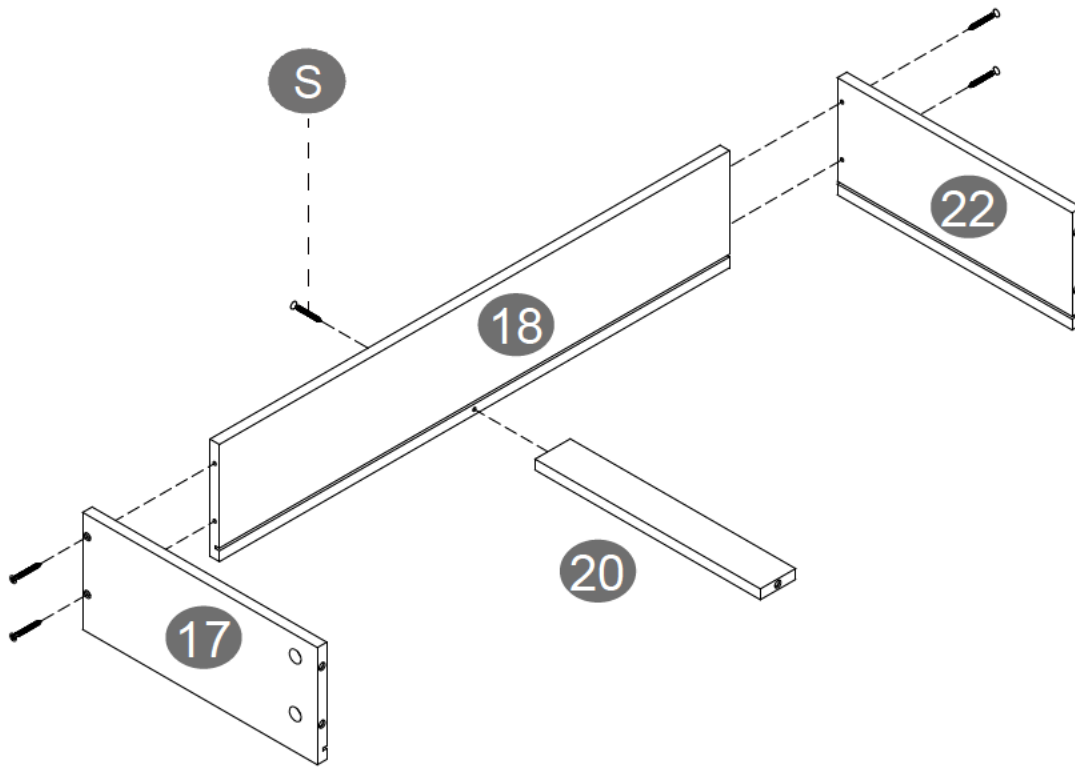


X 1

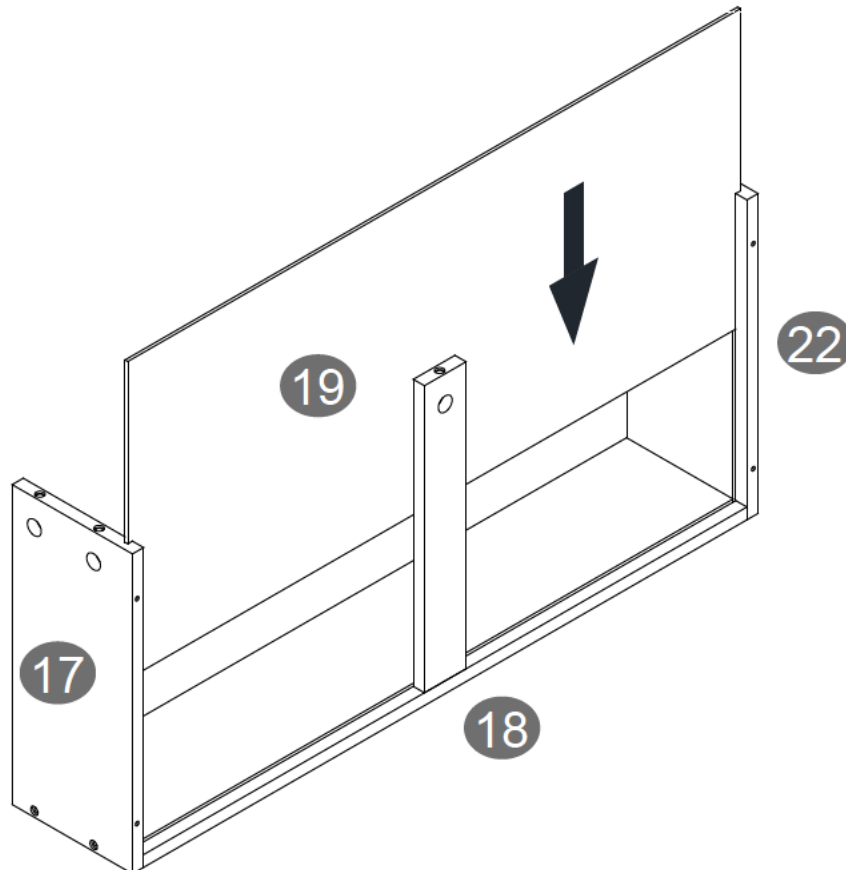
Exploded View



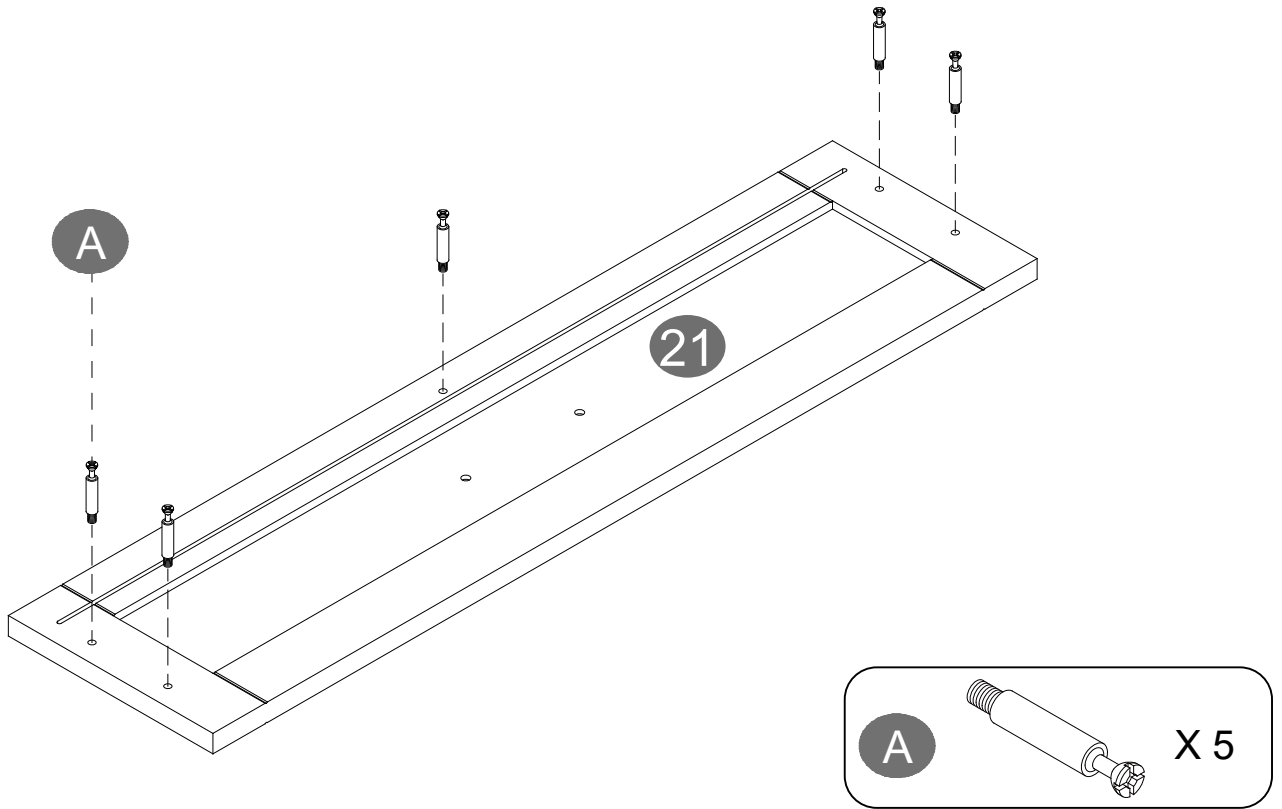
Step 1



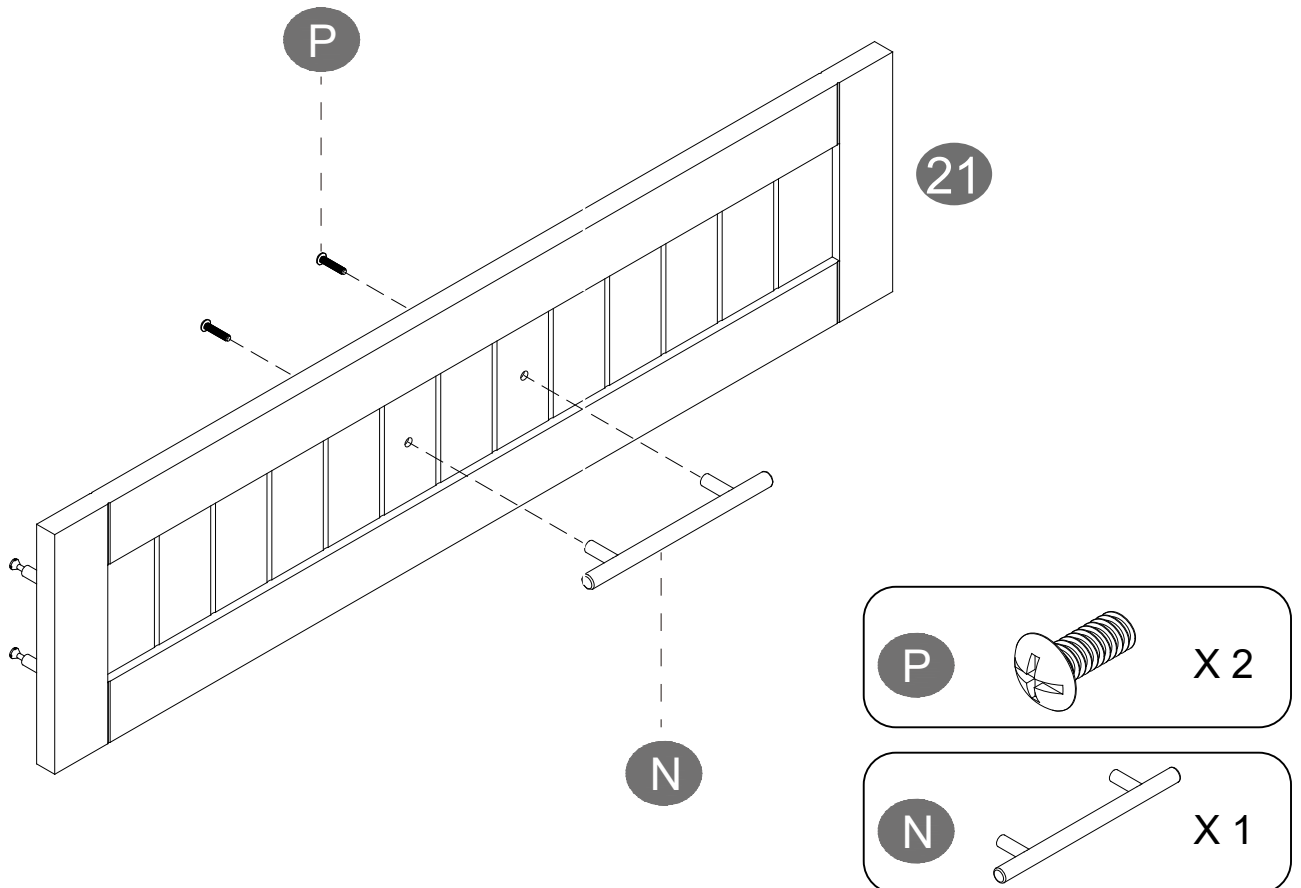
Step 2



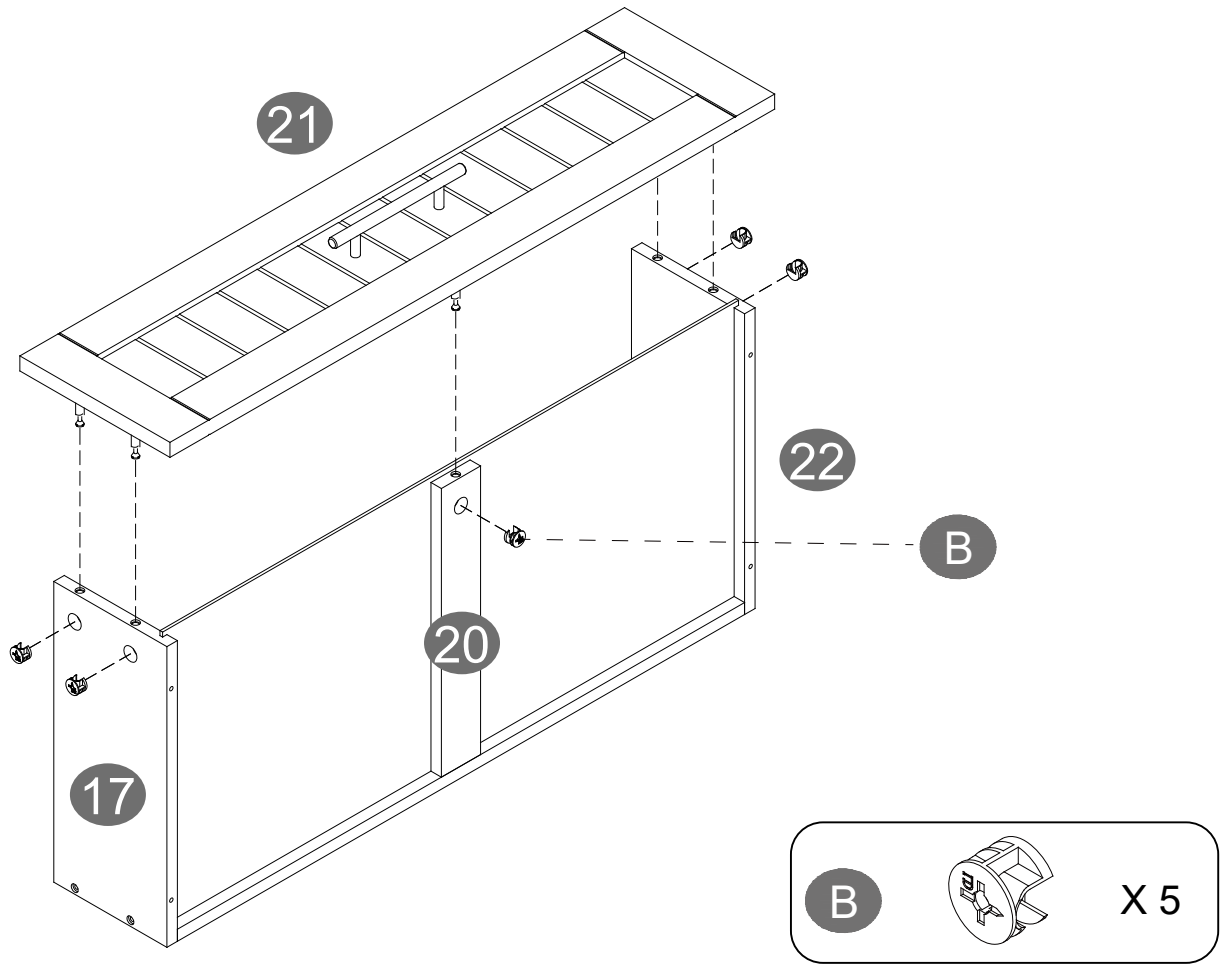
Step 3



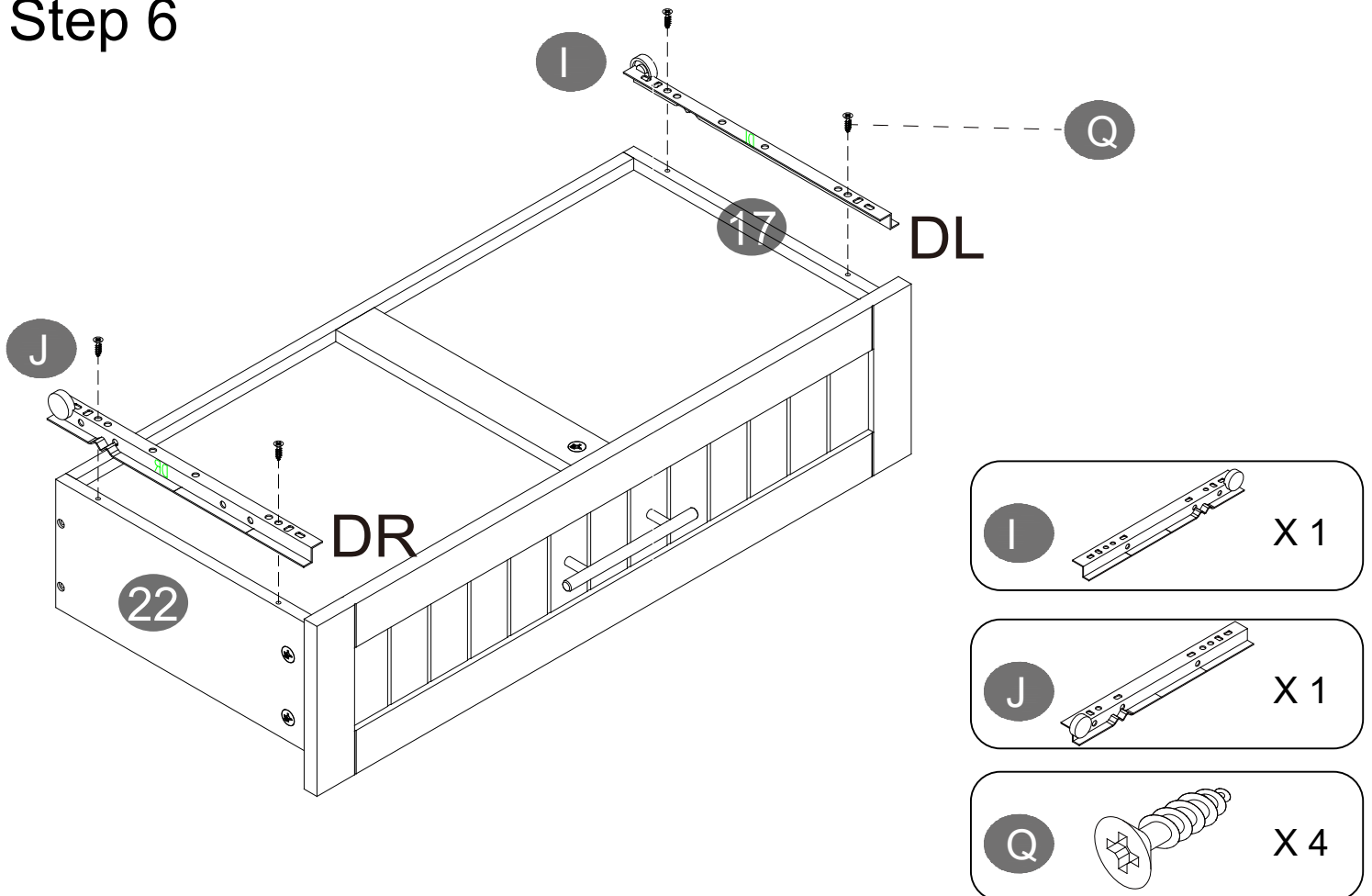
Step 4



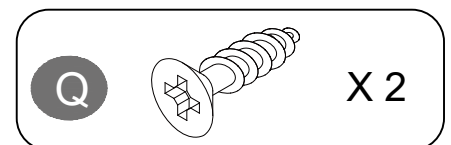
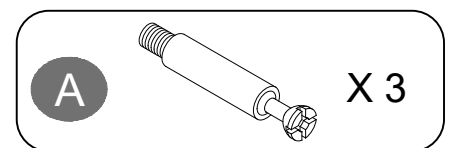
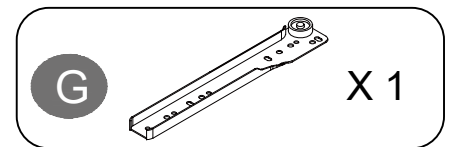
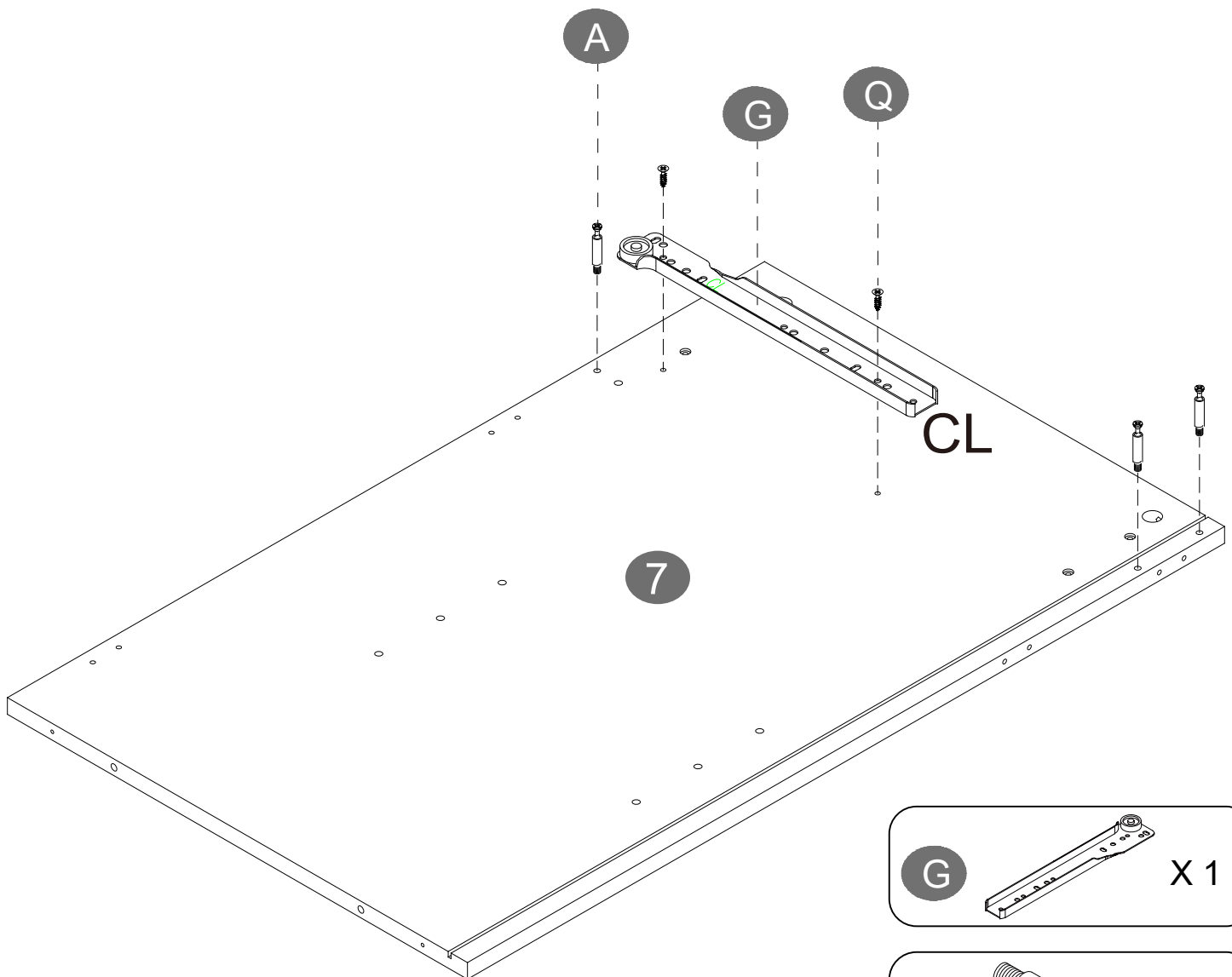
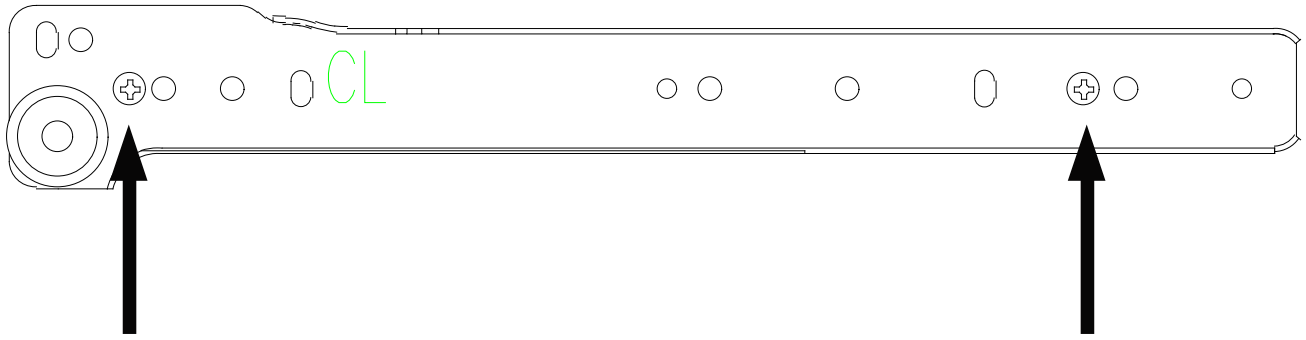
Step 5



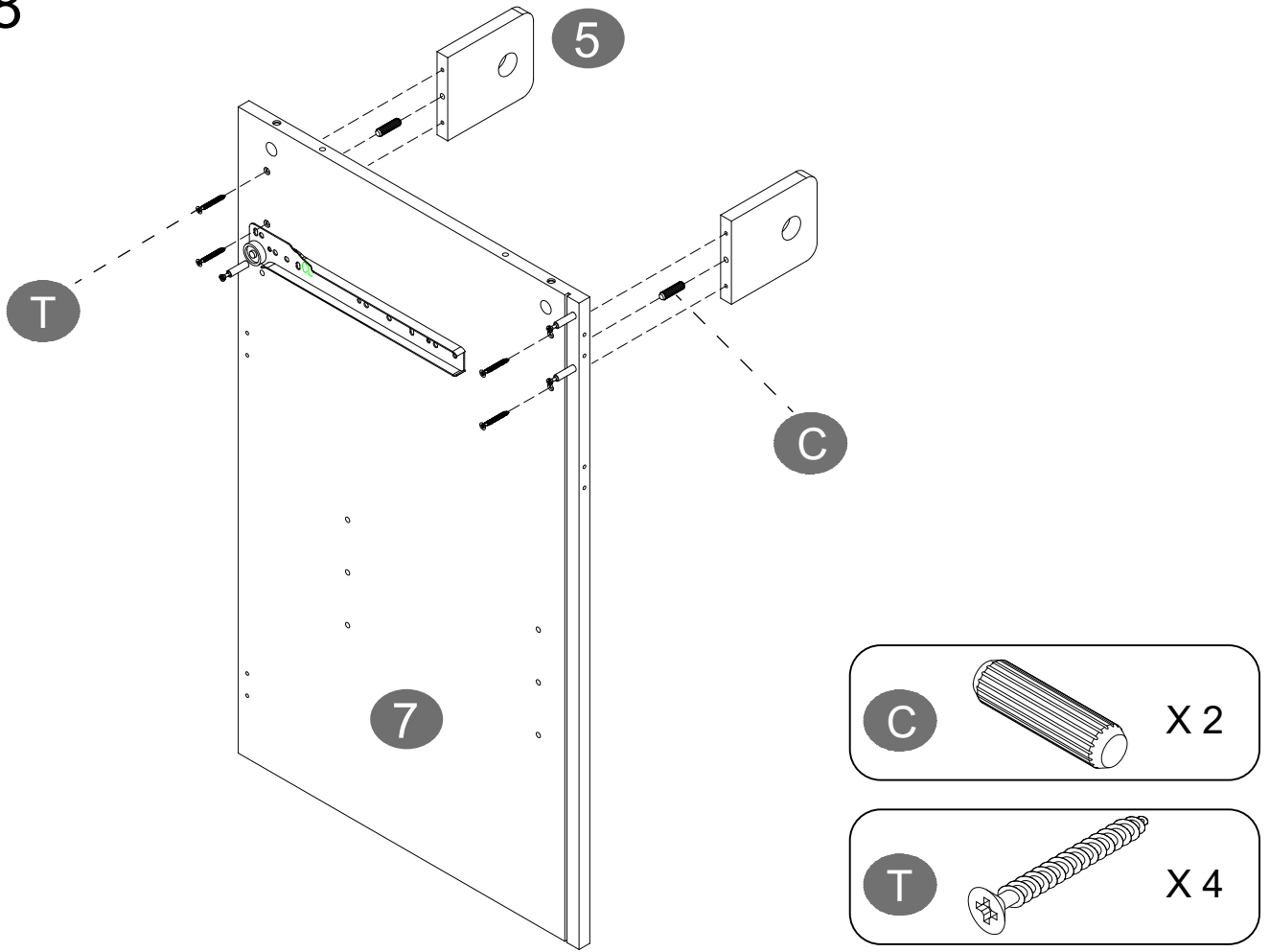
Step 6



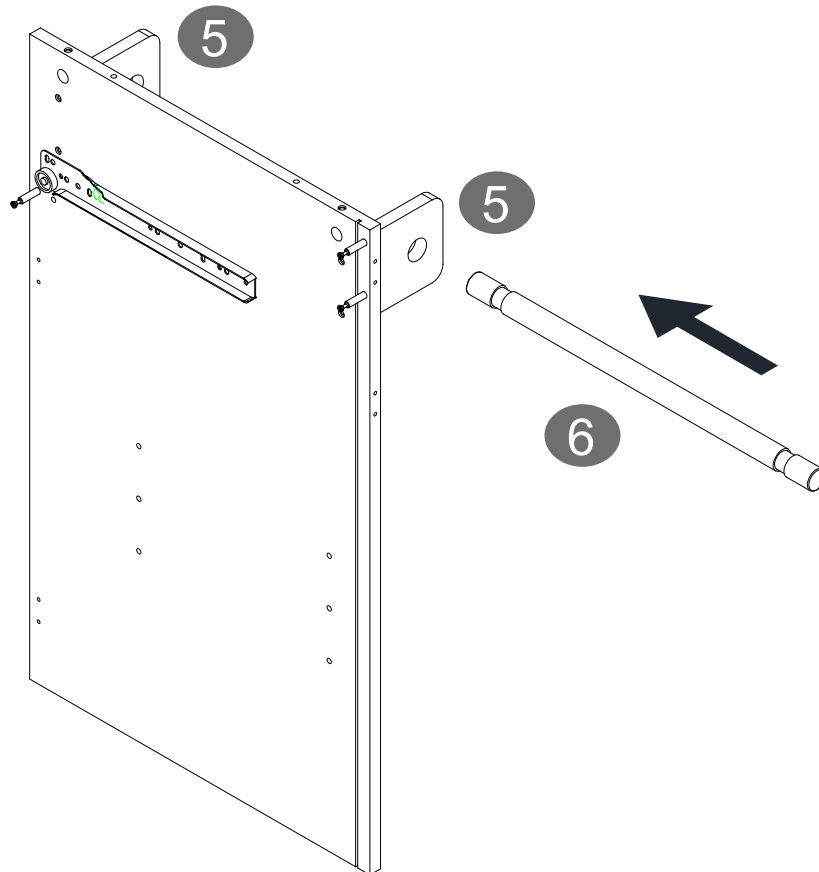
Step 7



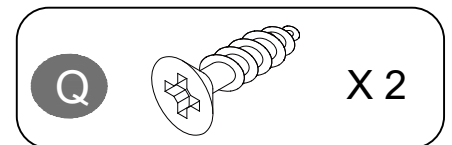
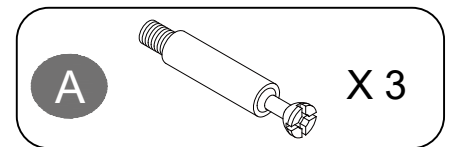
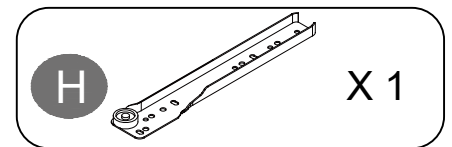
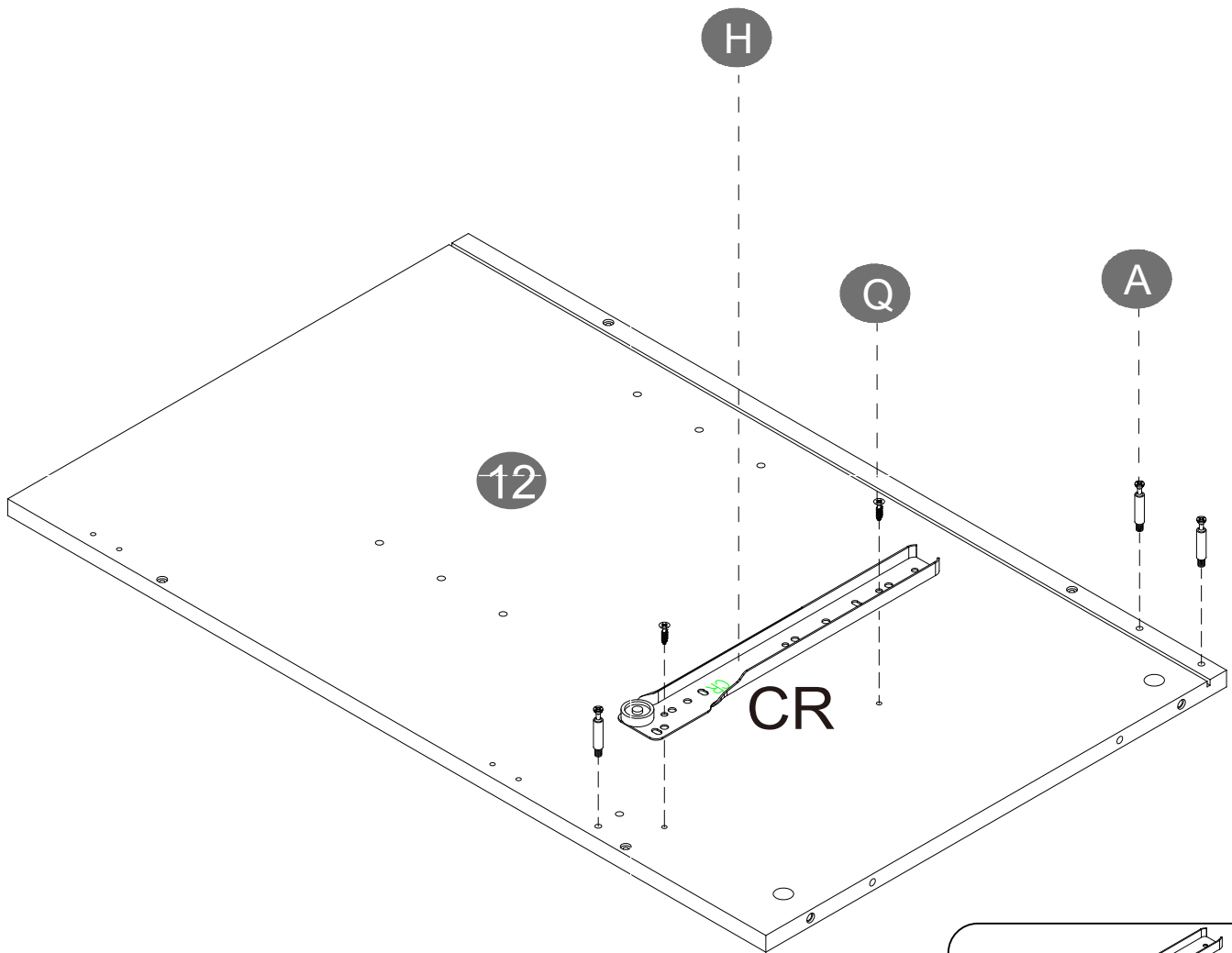
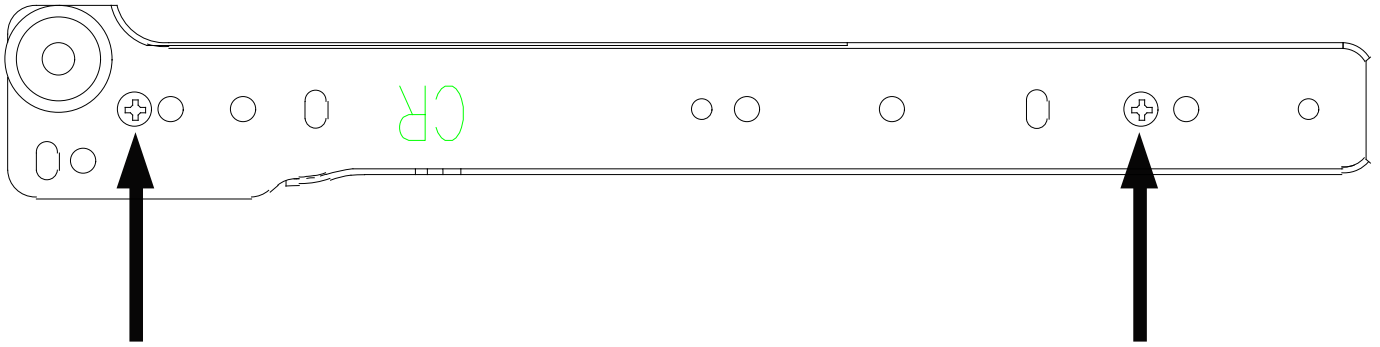
Step 8



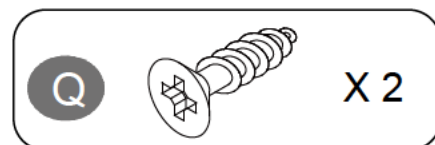
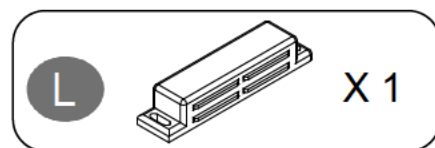
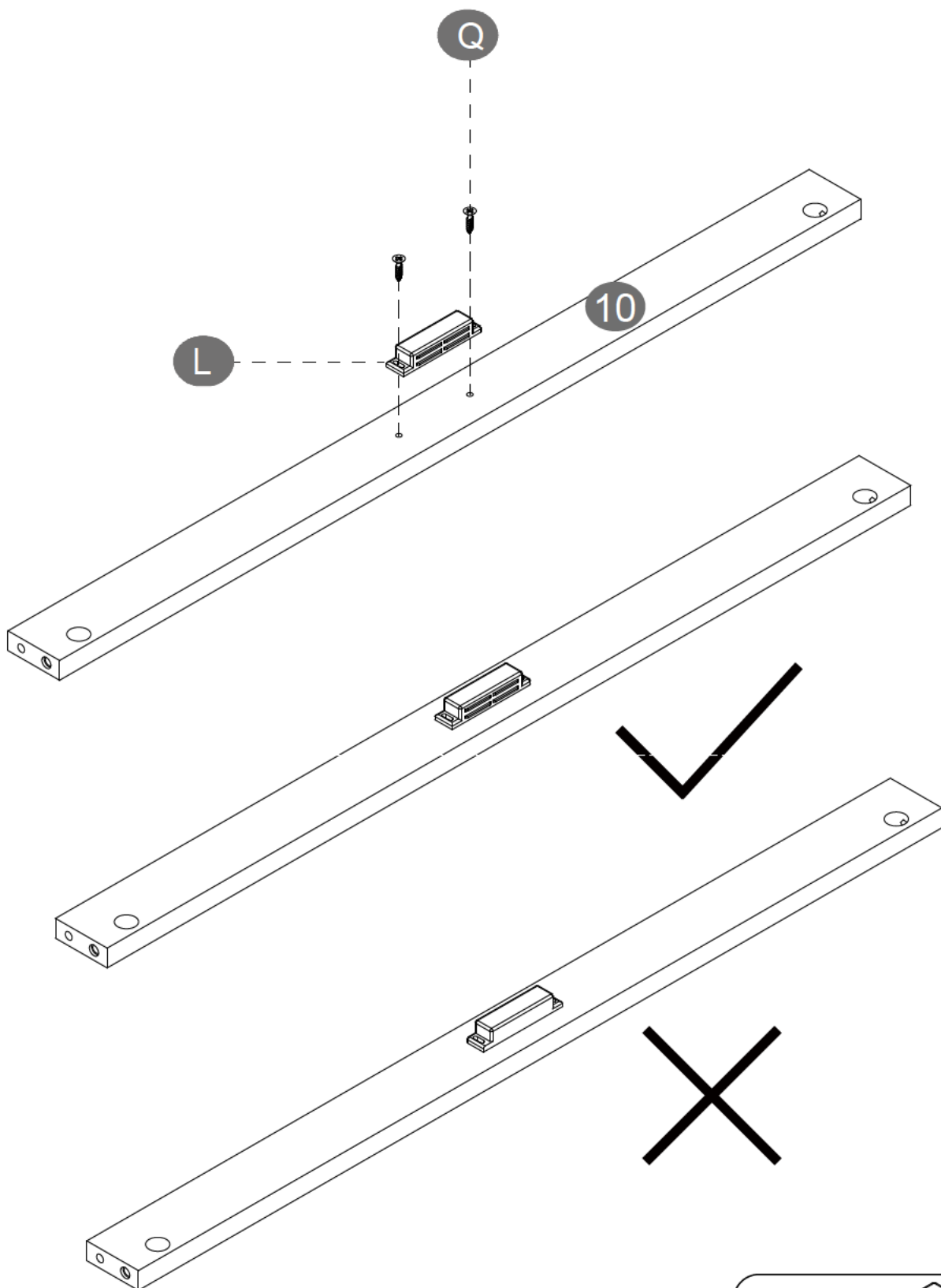
Step 9



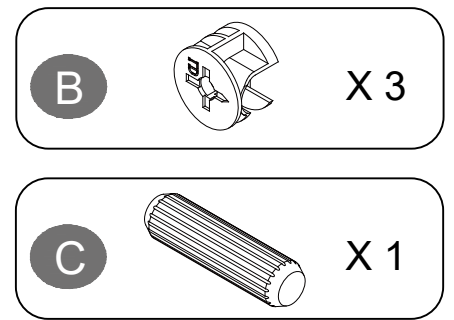
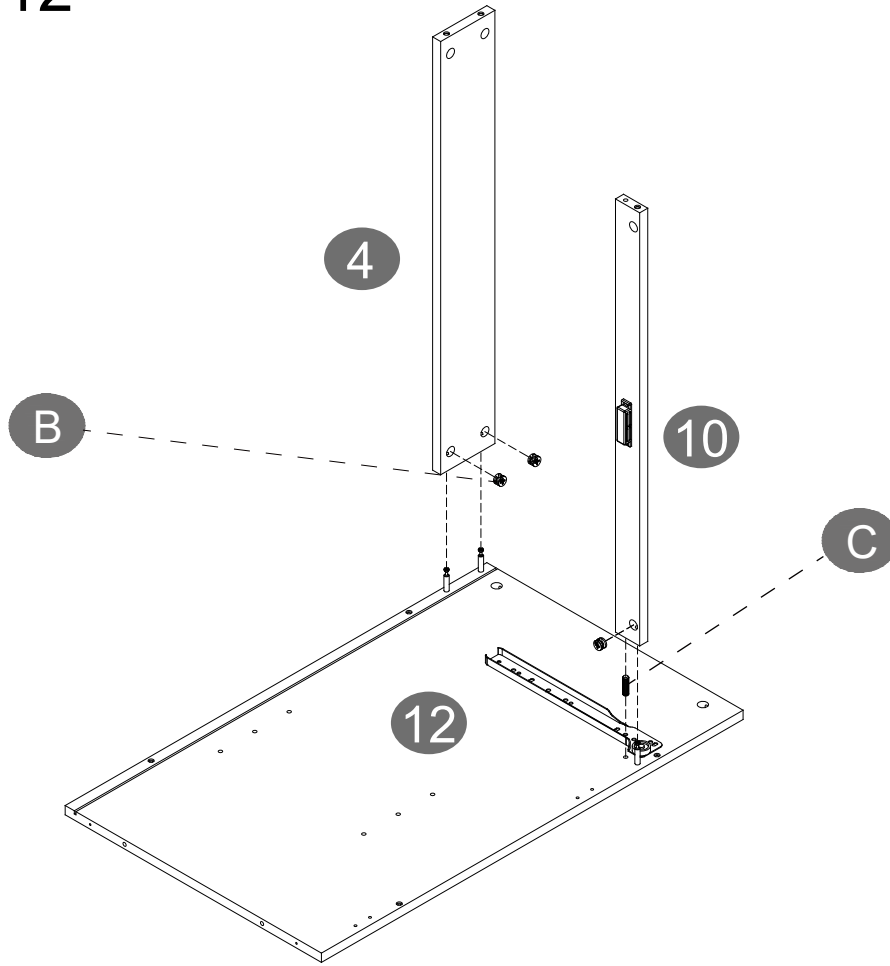
Step 10



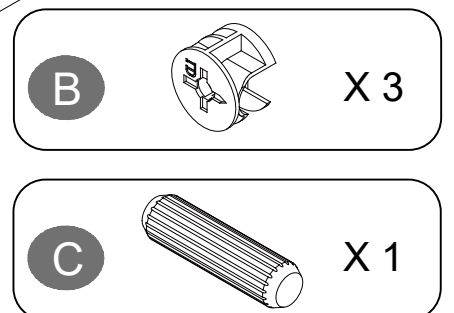
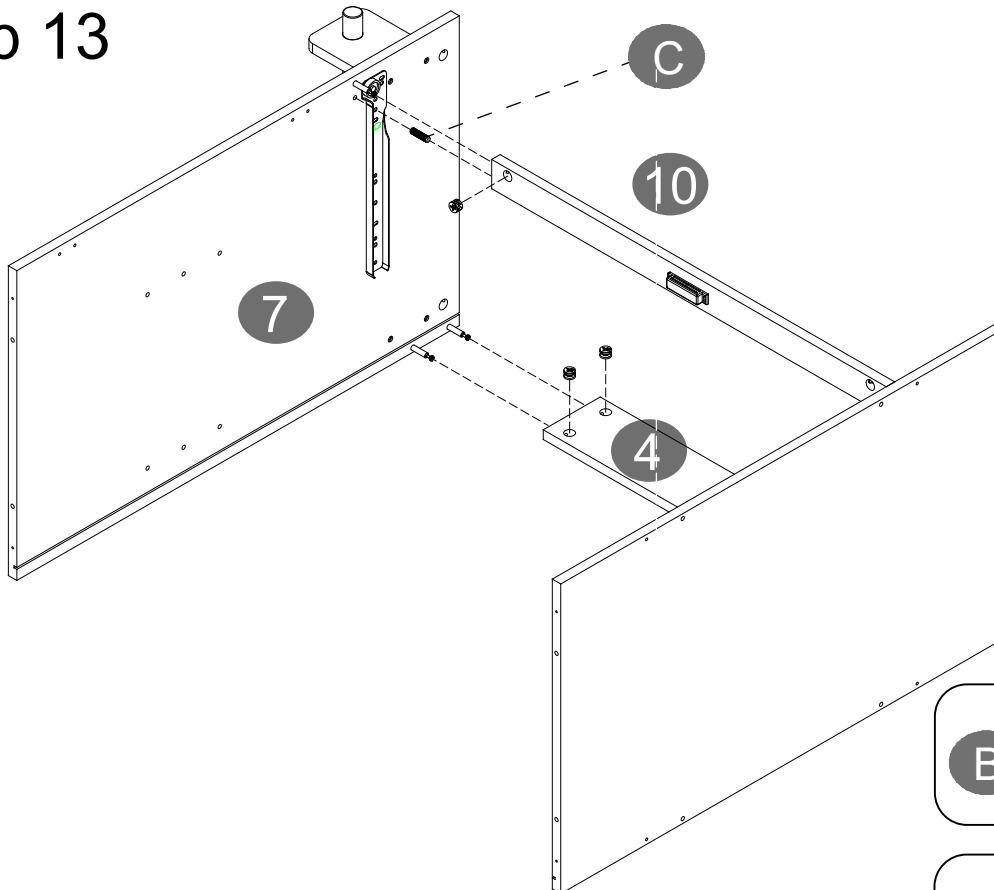
Step 11



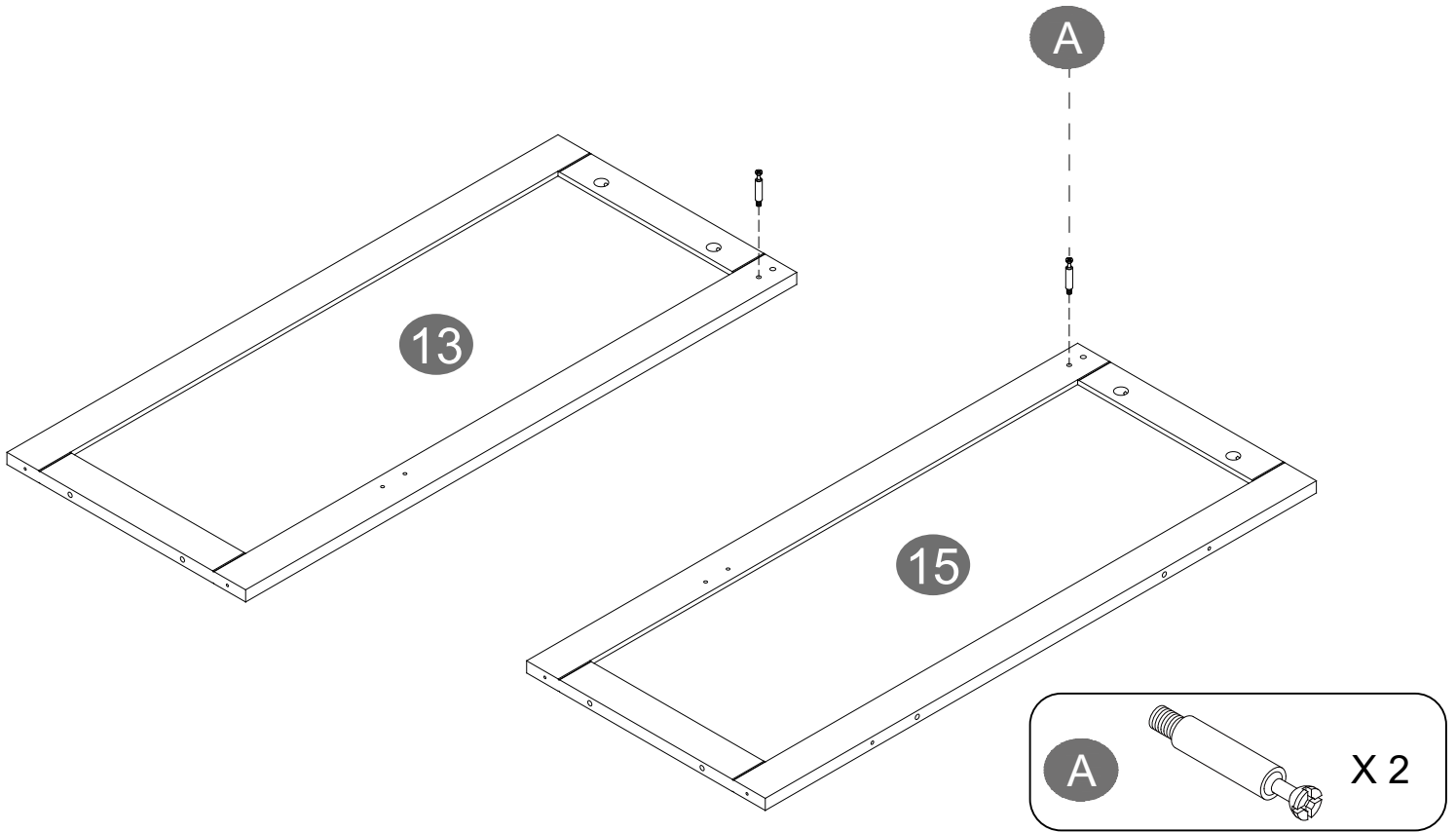
Step 12



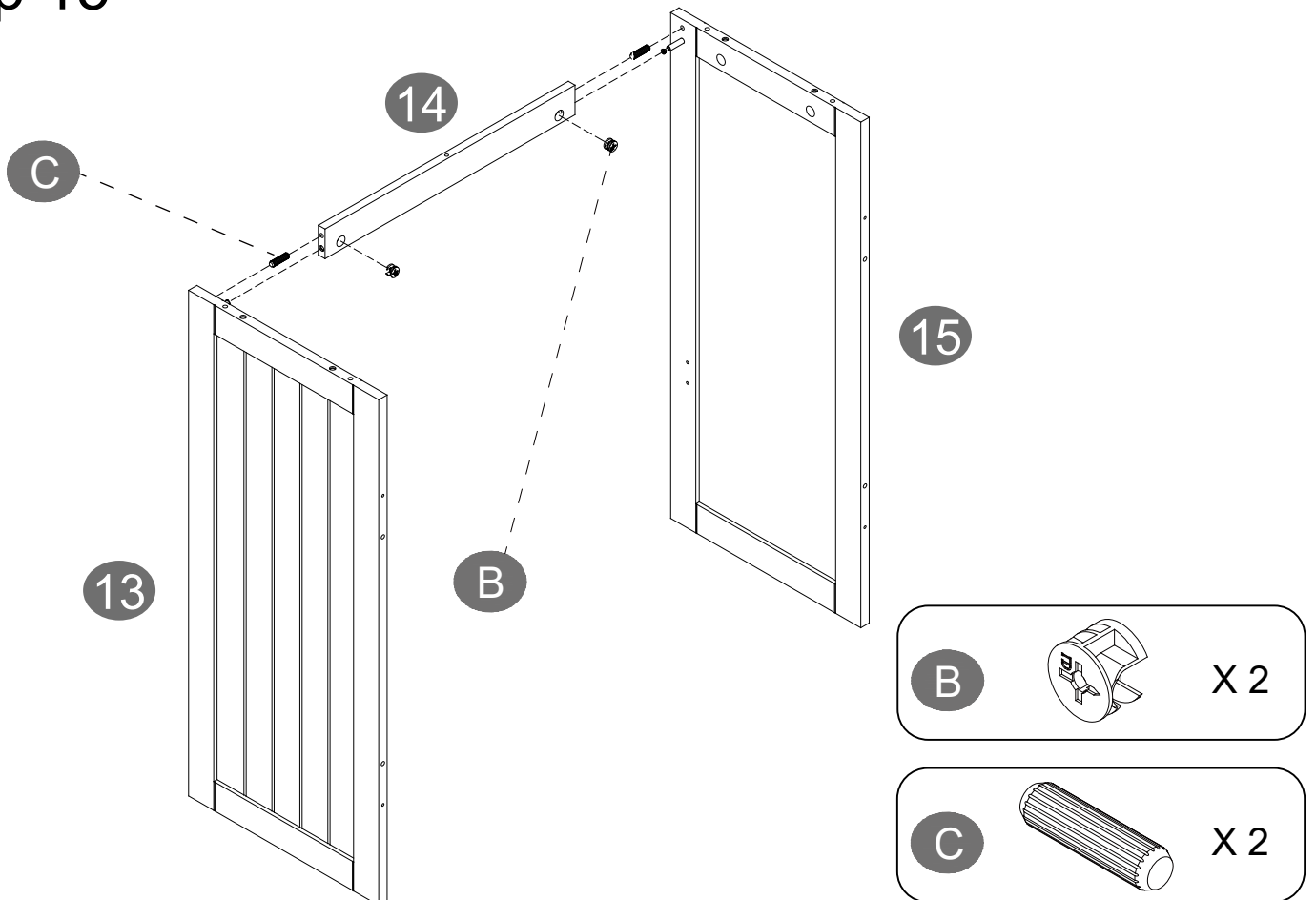
Step 13



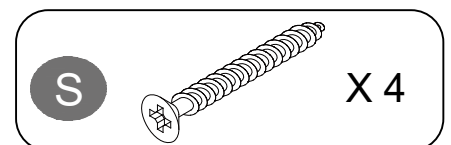
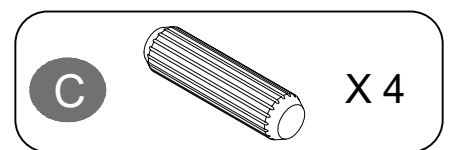
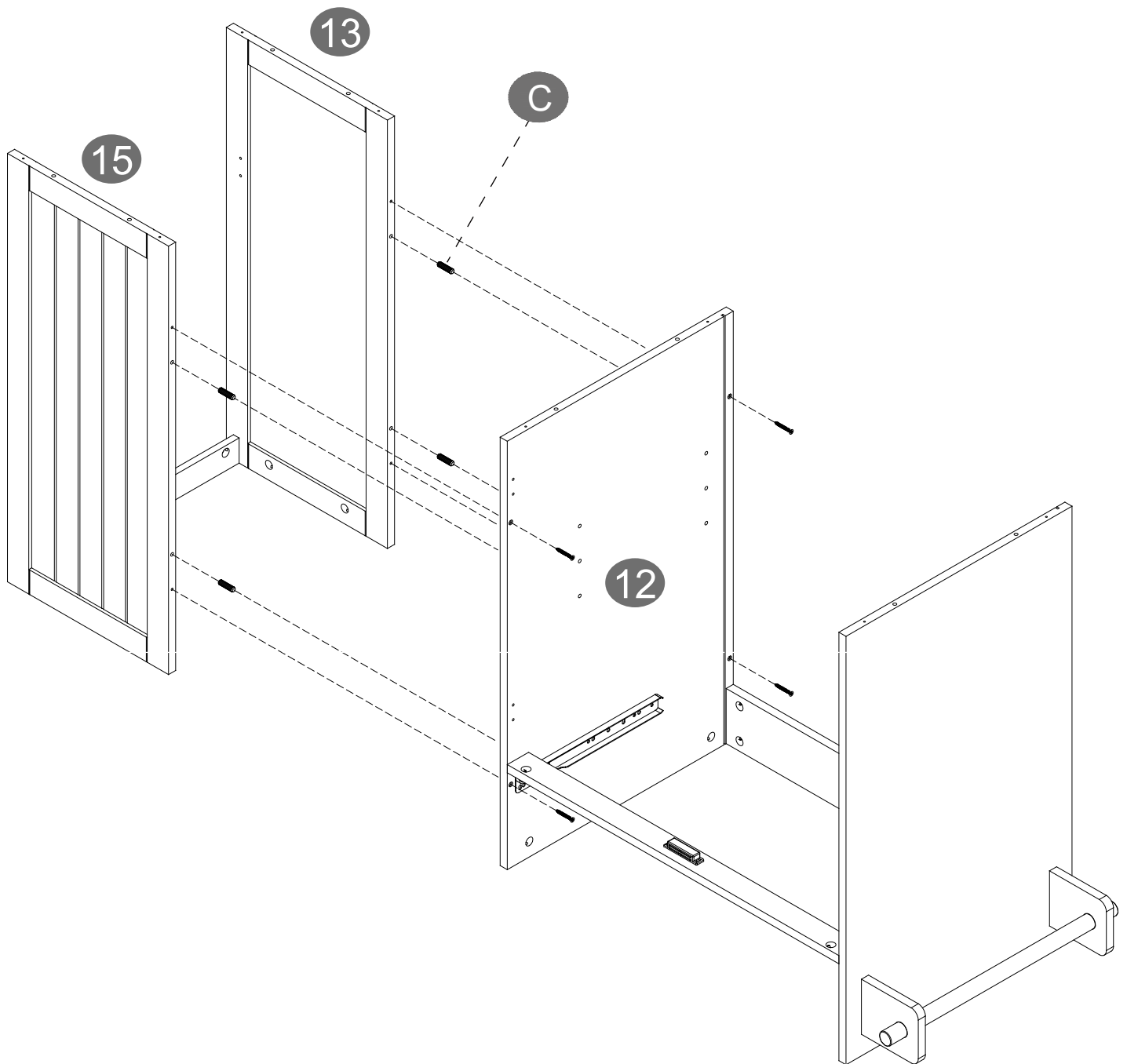
Step 14



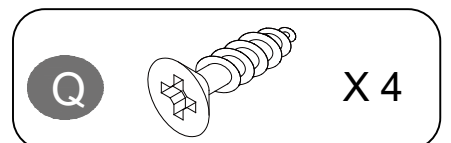
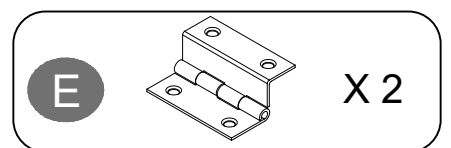
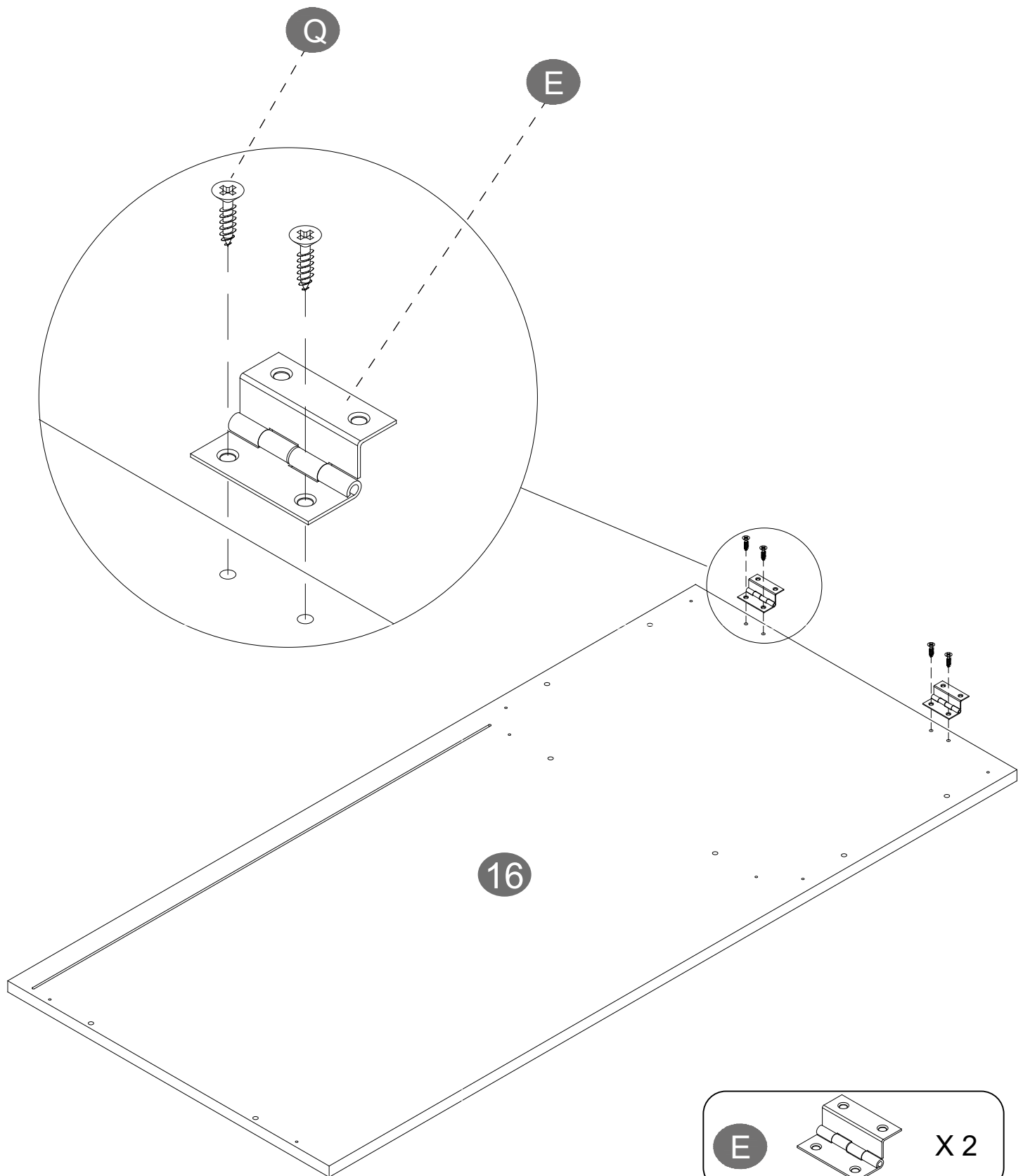
Step 15



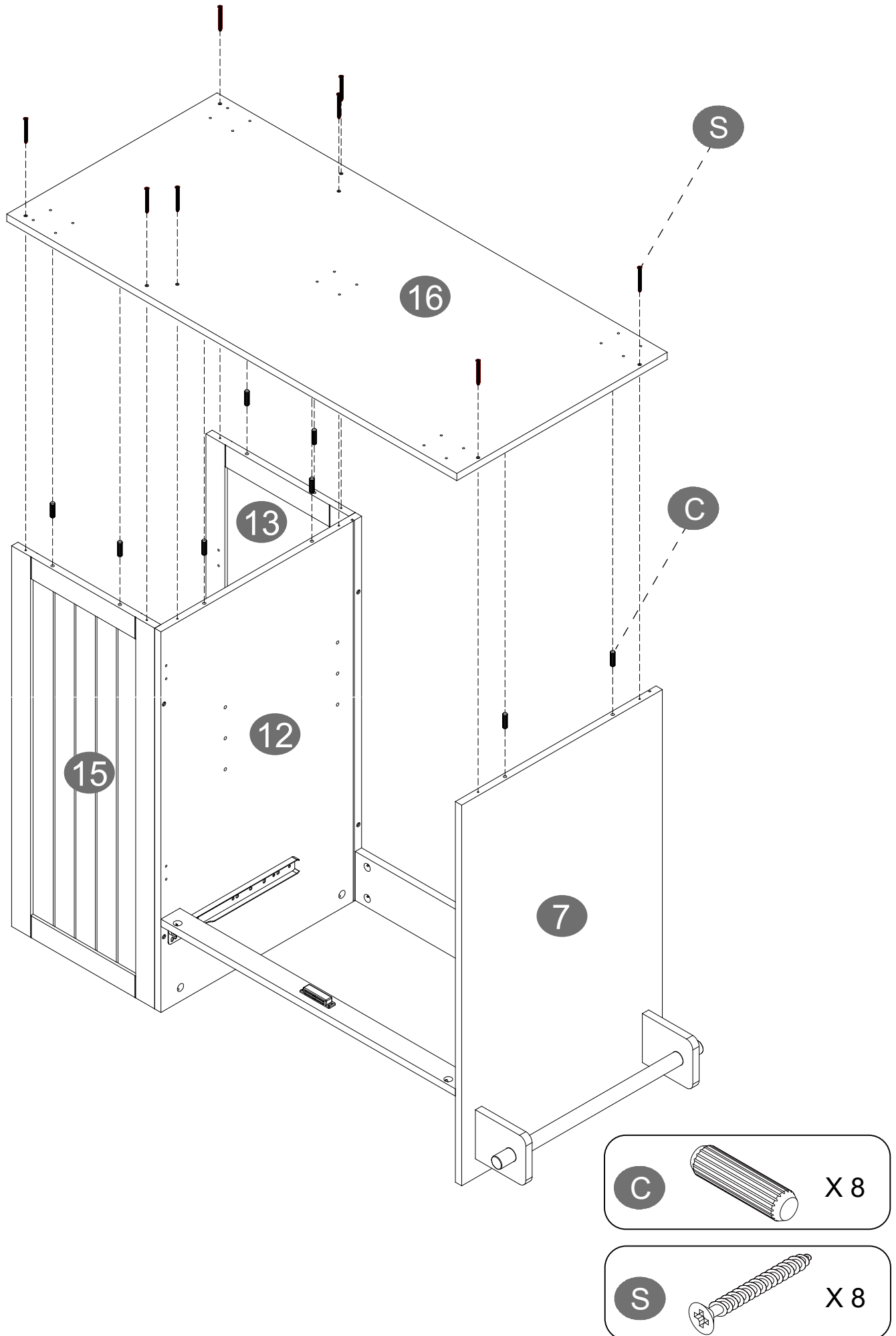
Step 16



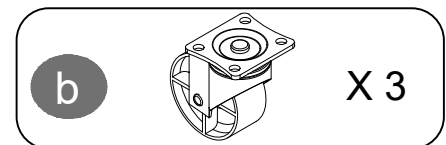
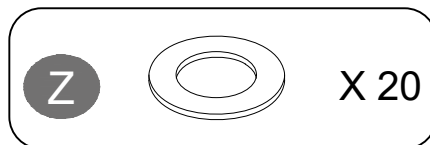
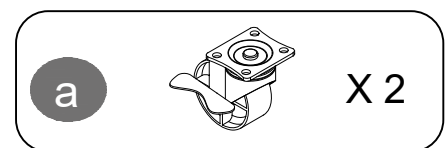
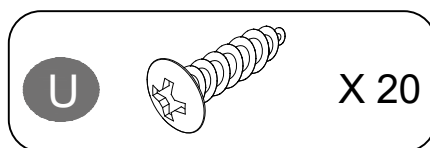
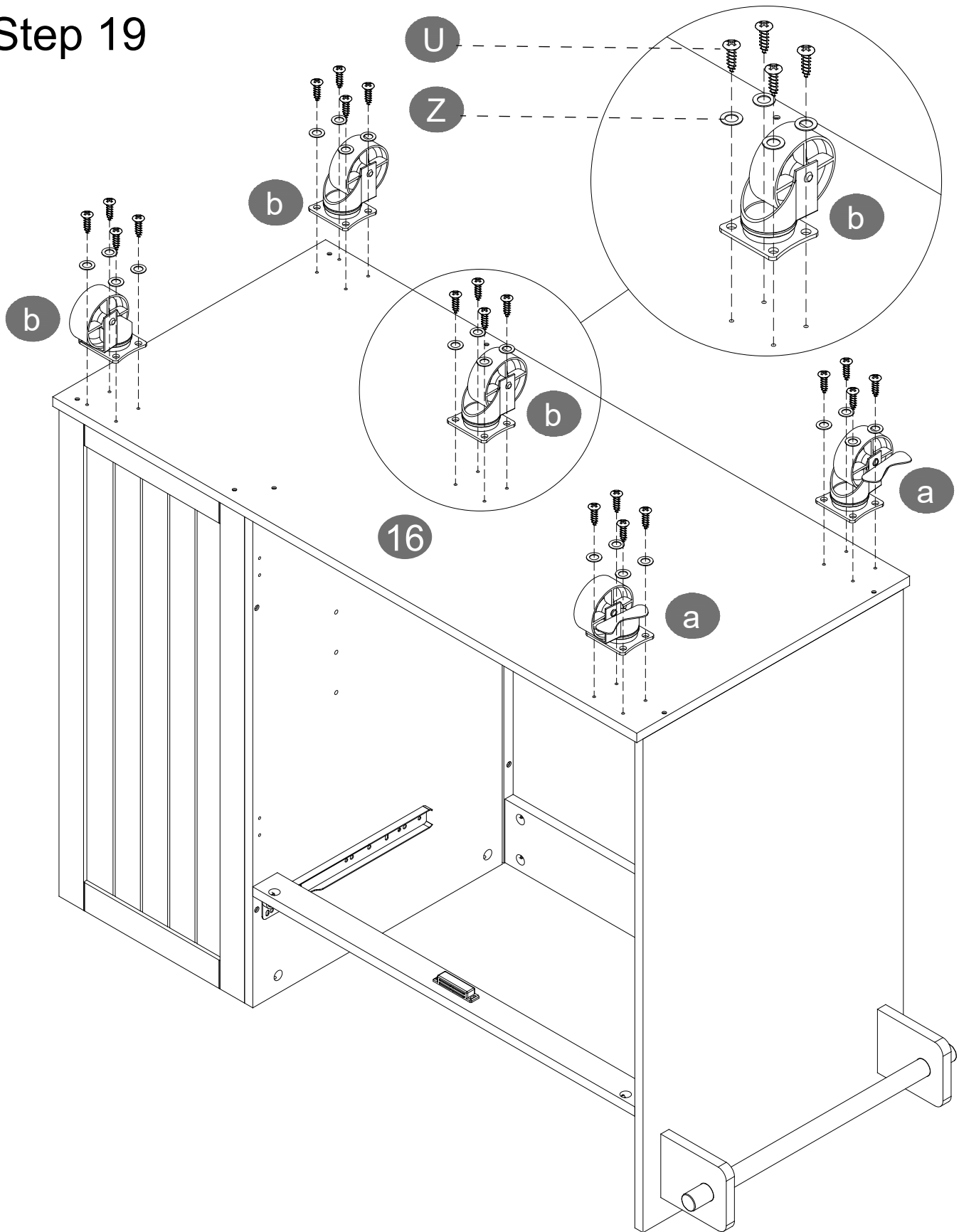
Step 17



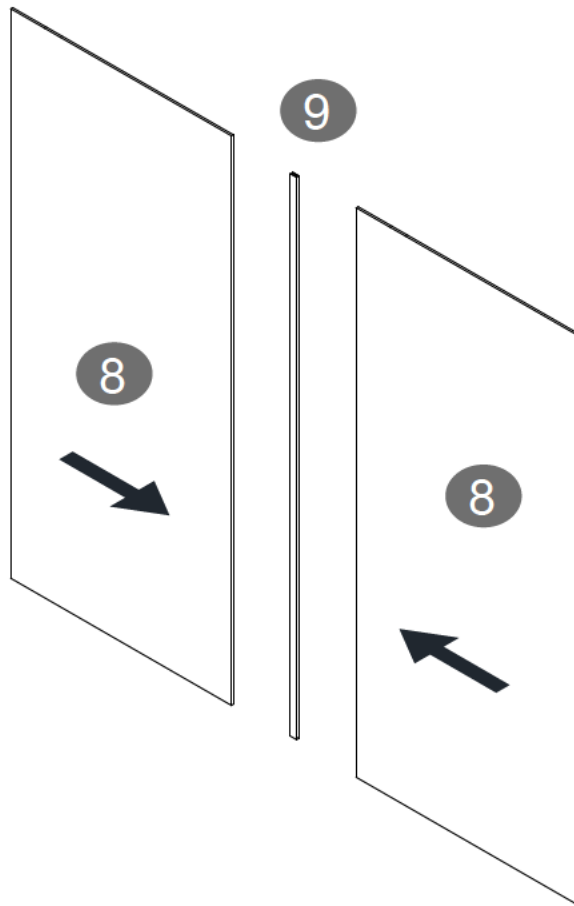
Step 18



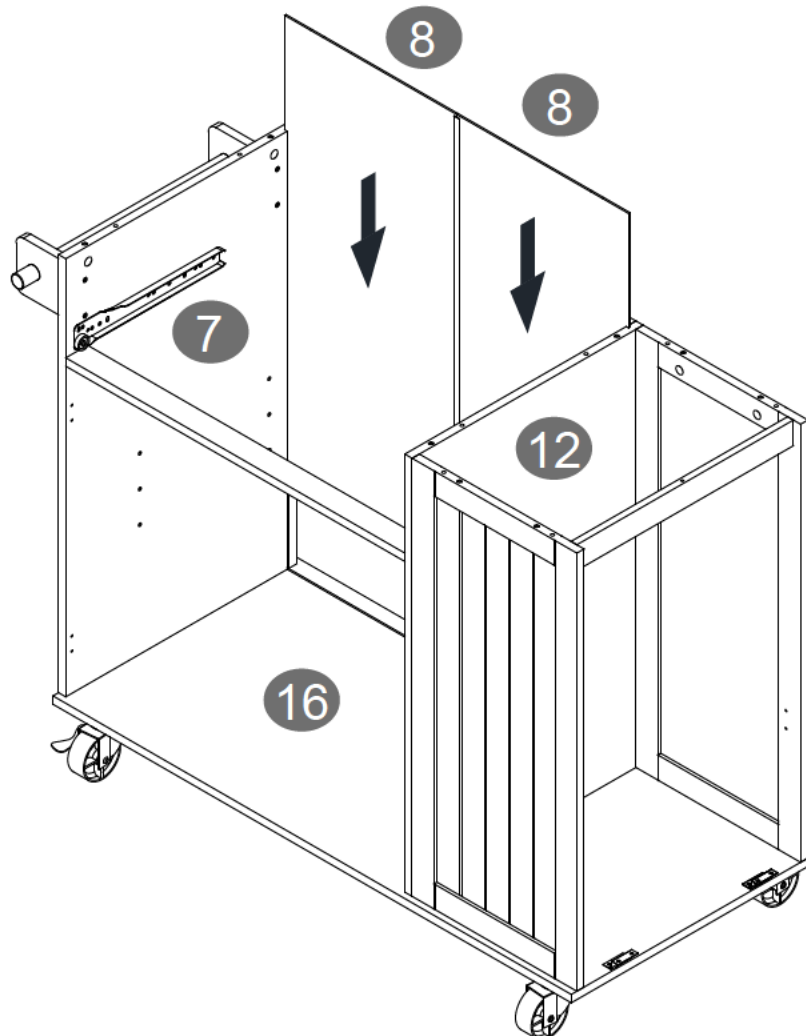
Step 19



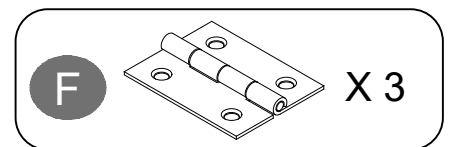
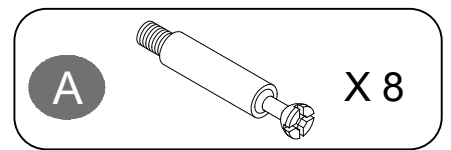
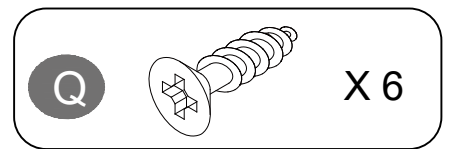
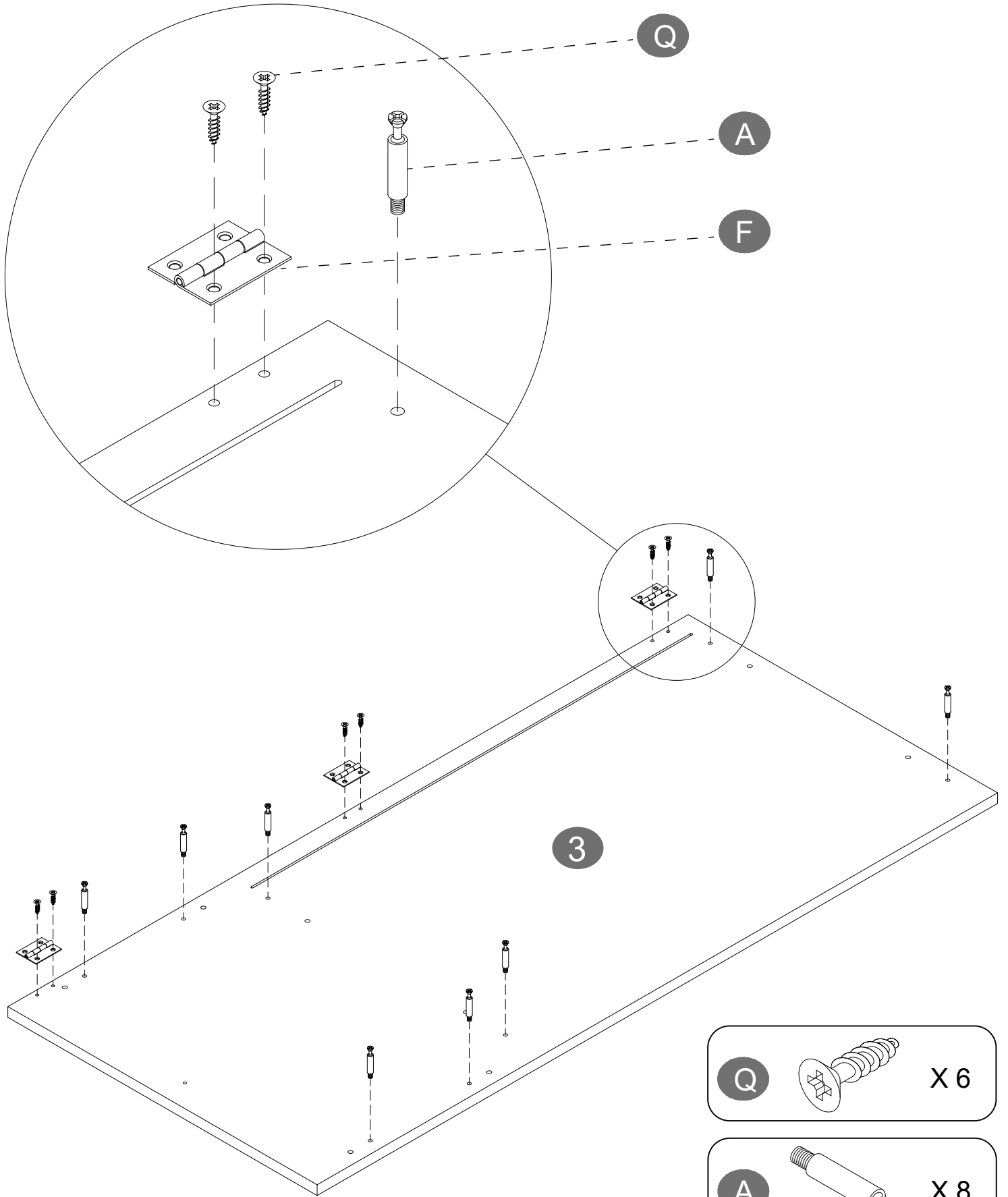
Step 20



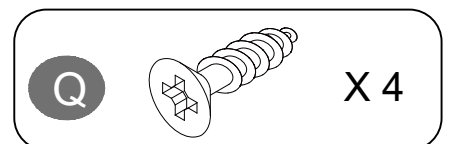
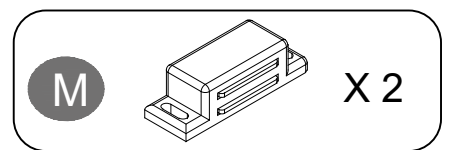
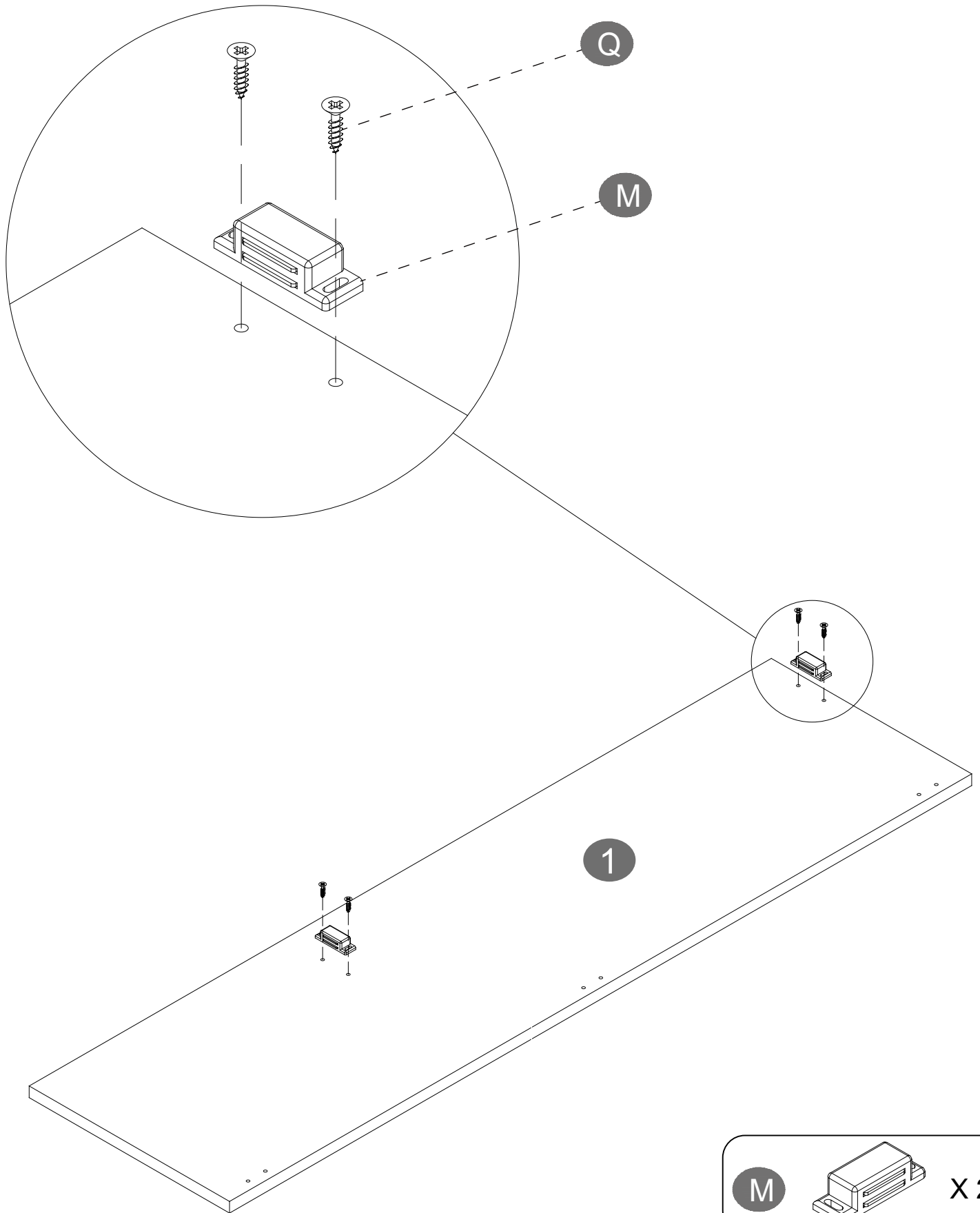
Step 21



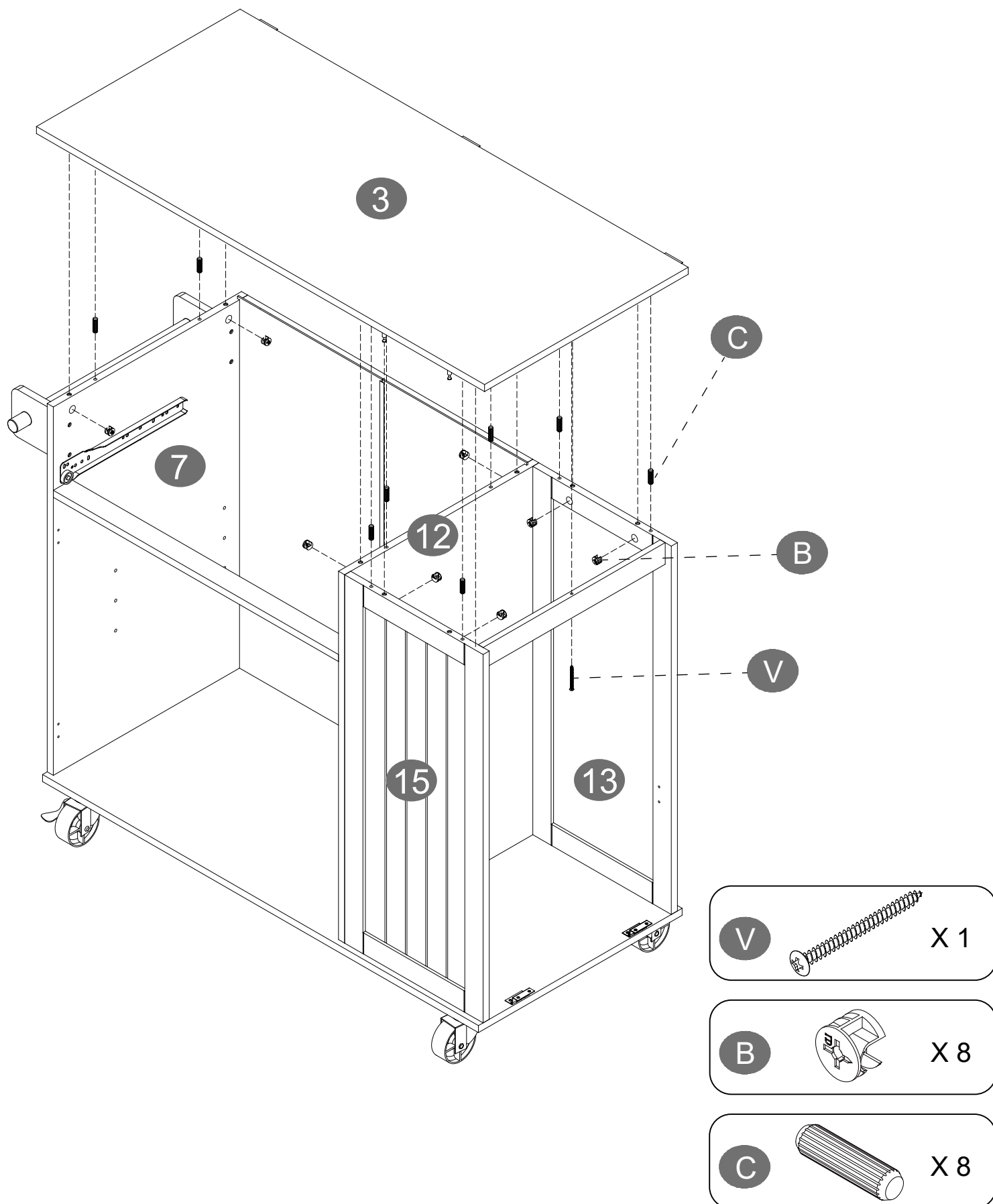
Step 22



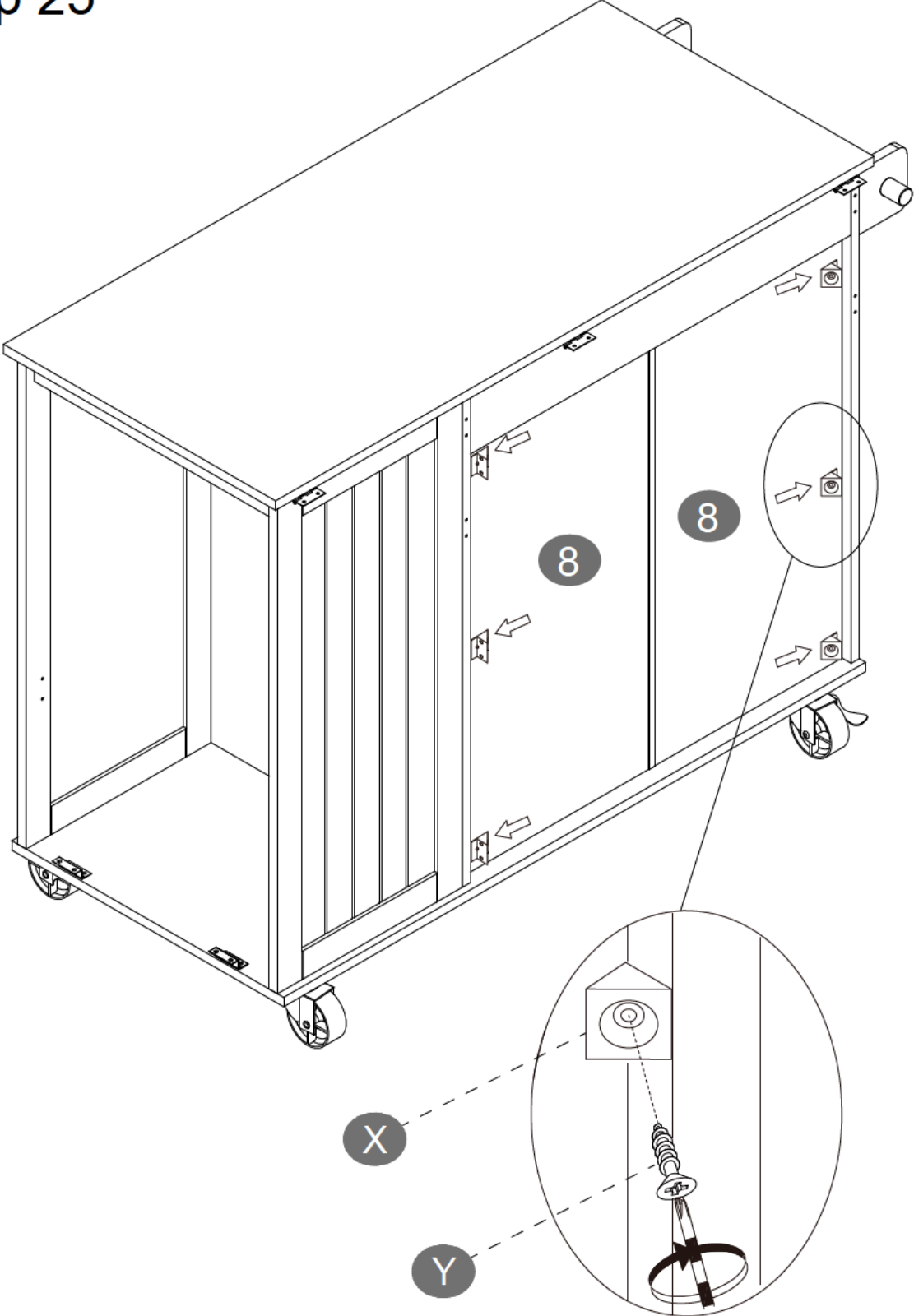
Step 23



Step 24



Step 25



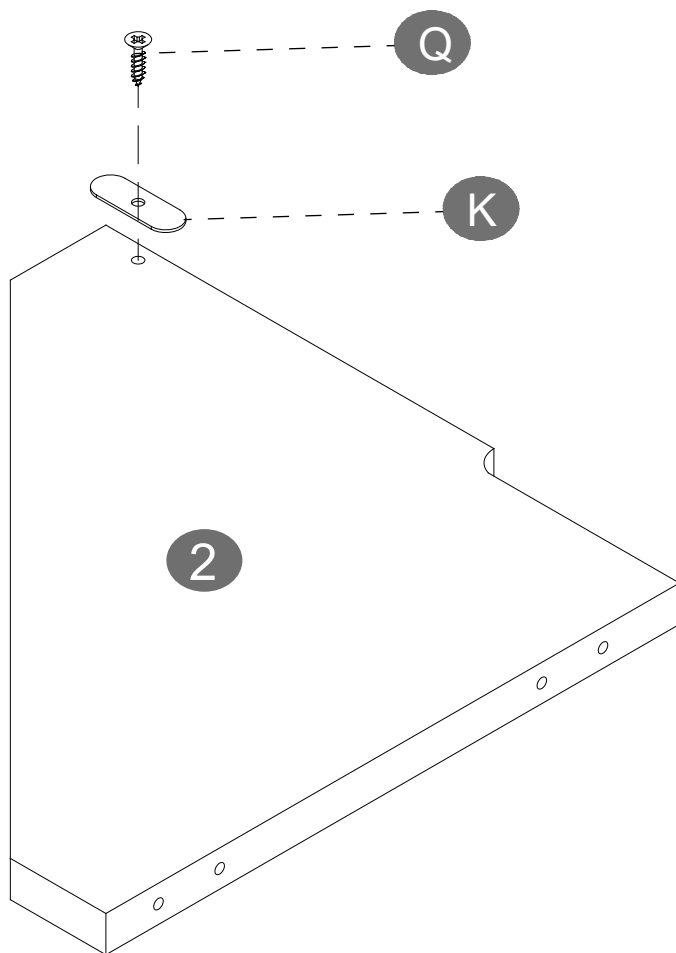
X

Y

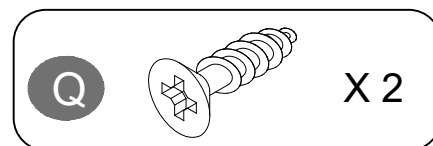
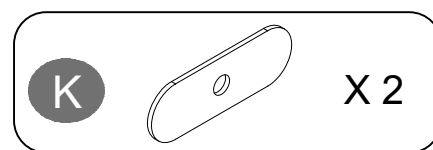
X		X 6
---	--	-----

Y		X 6
---	--	-----

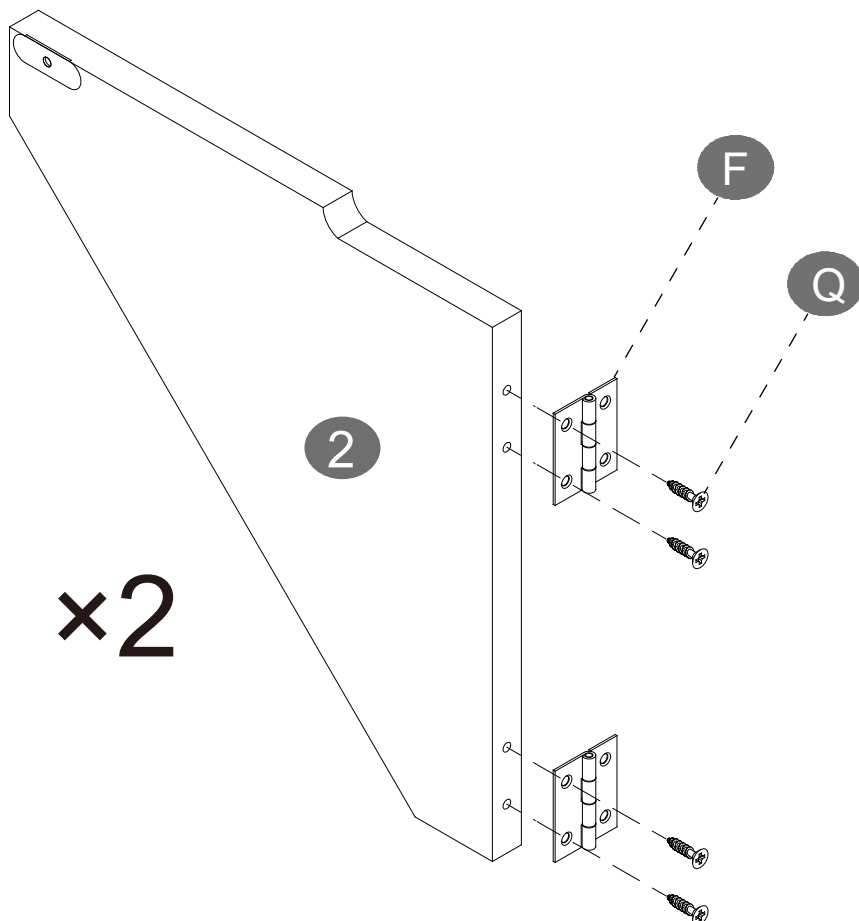
Step 26



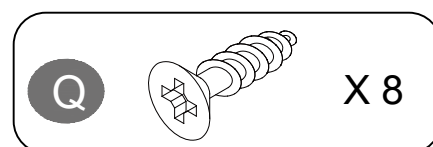
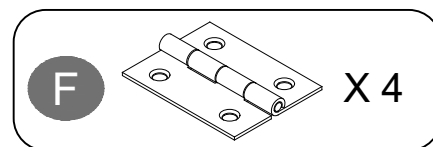
x2



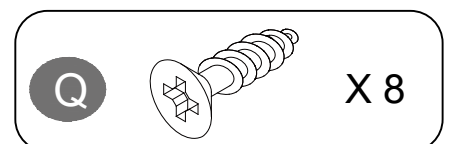
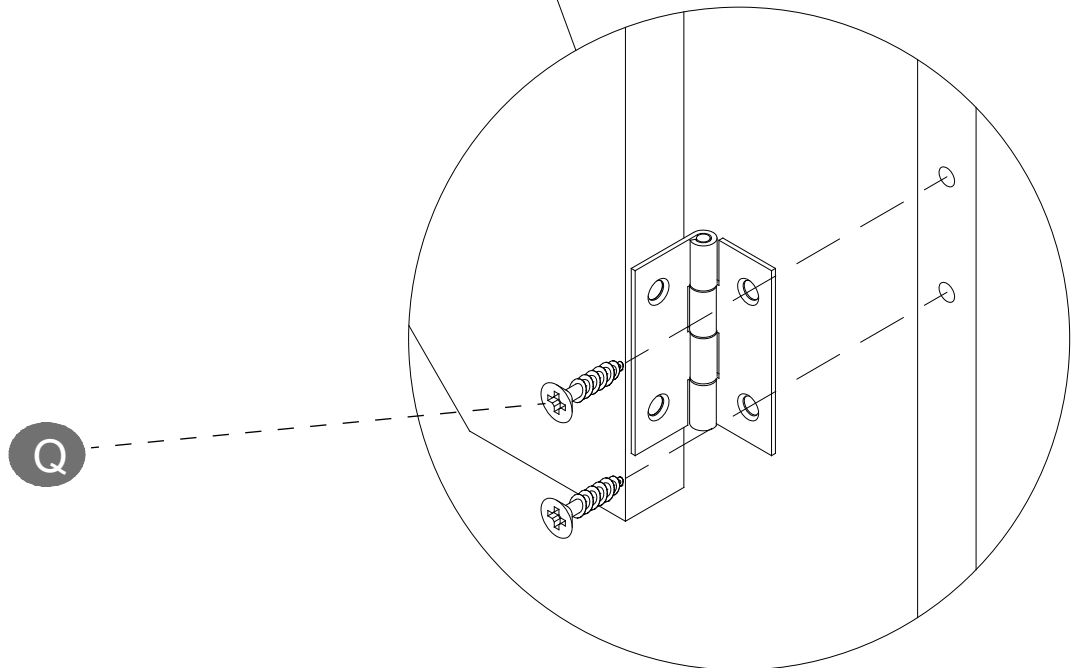
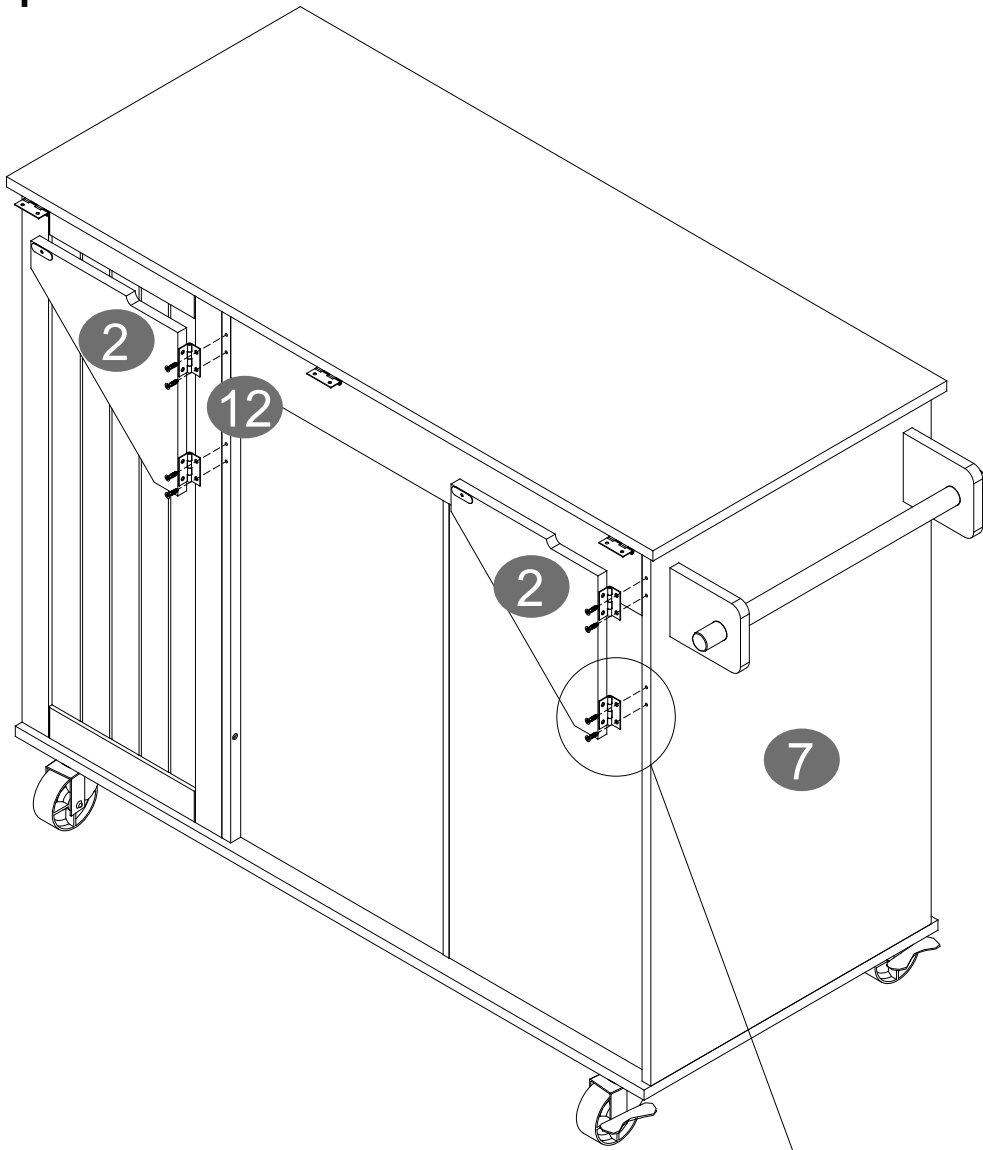
Step 27



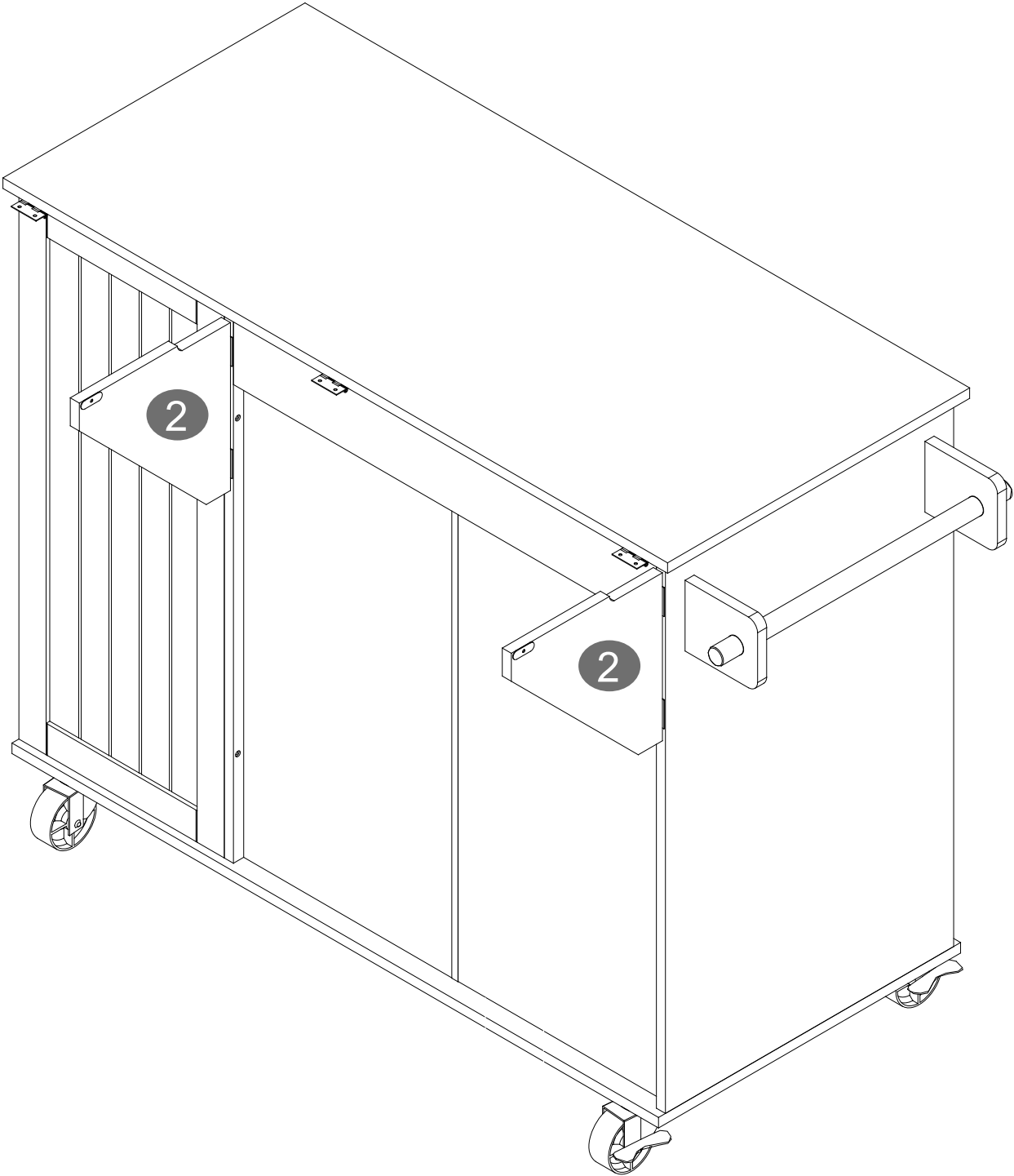
x2



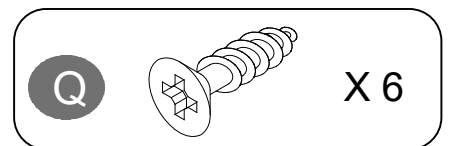
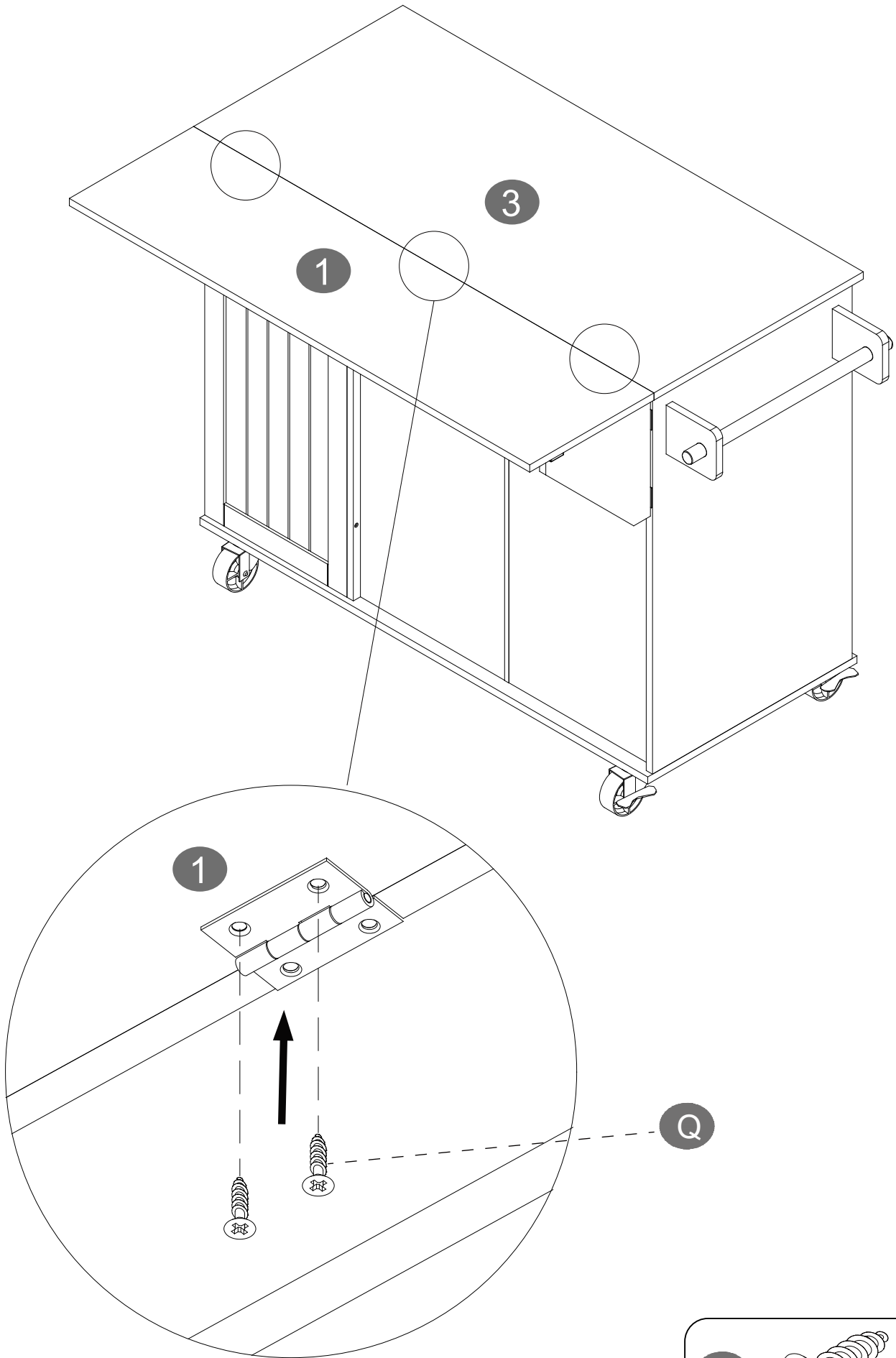
Step 28



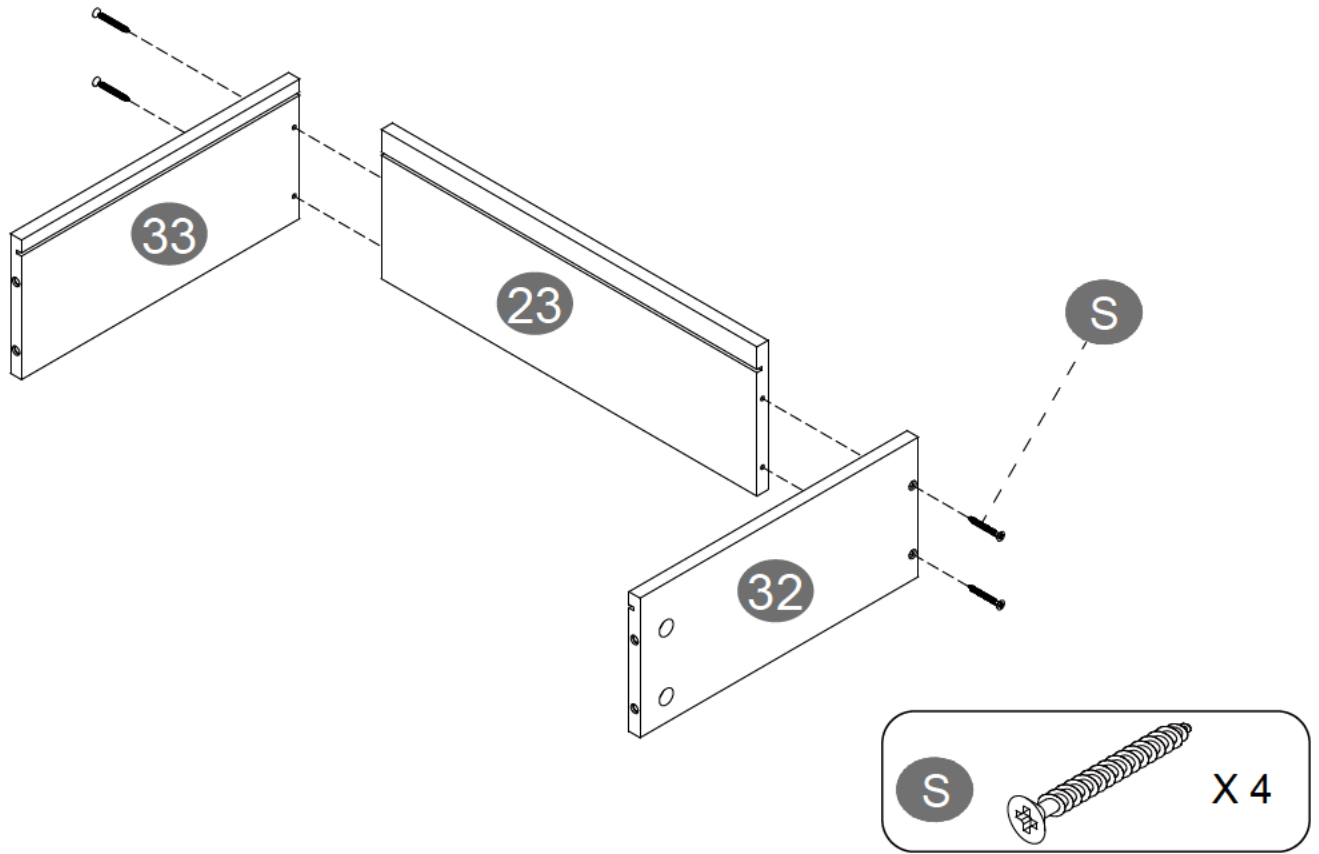
Step 29



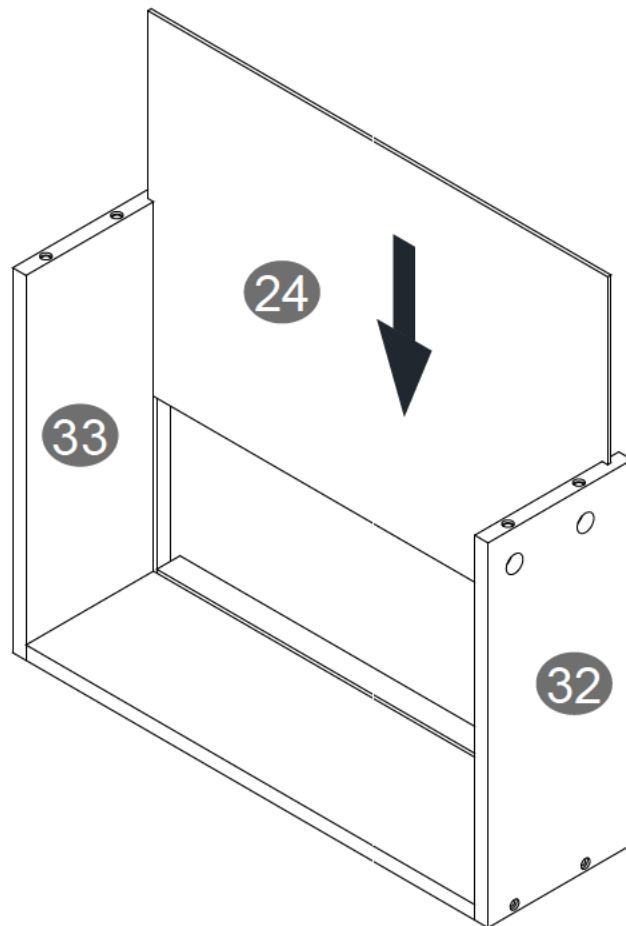
Step 30



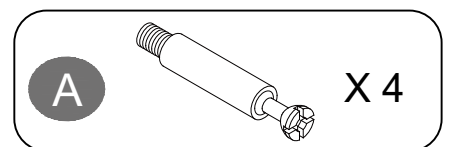
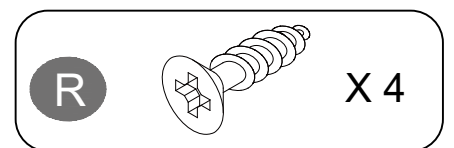
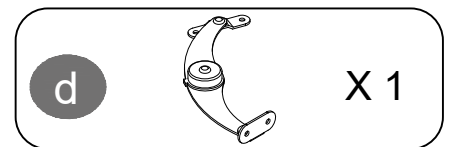
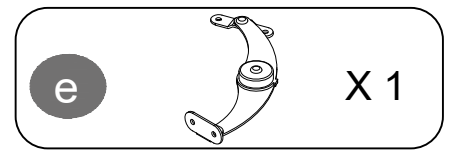
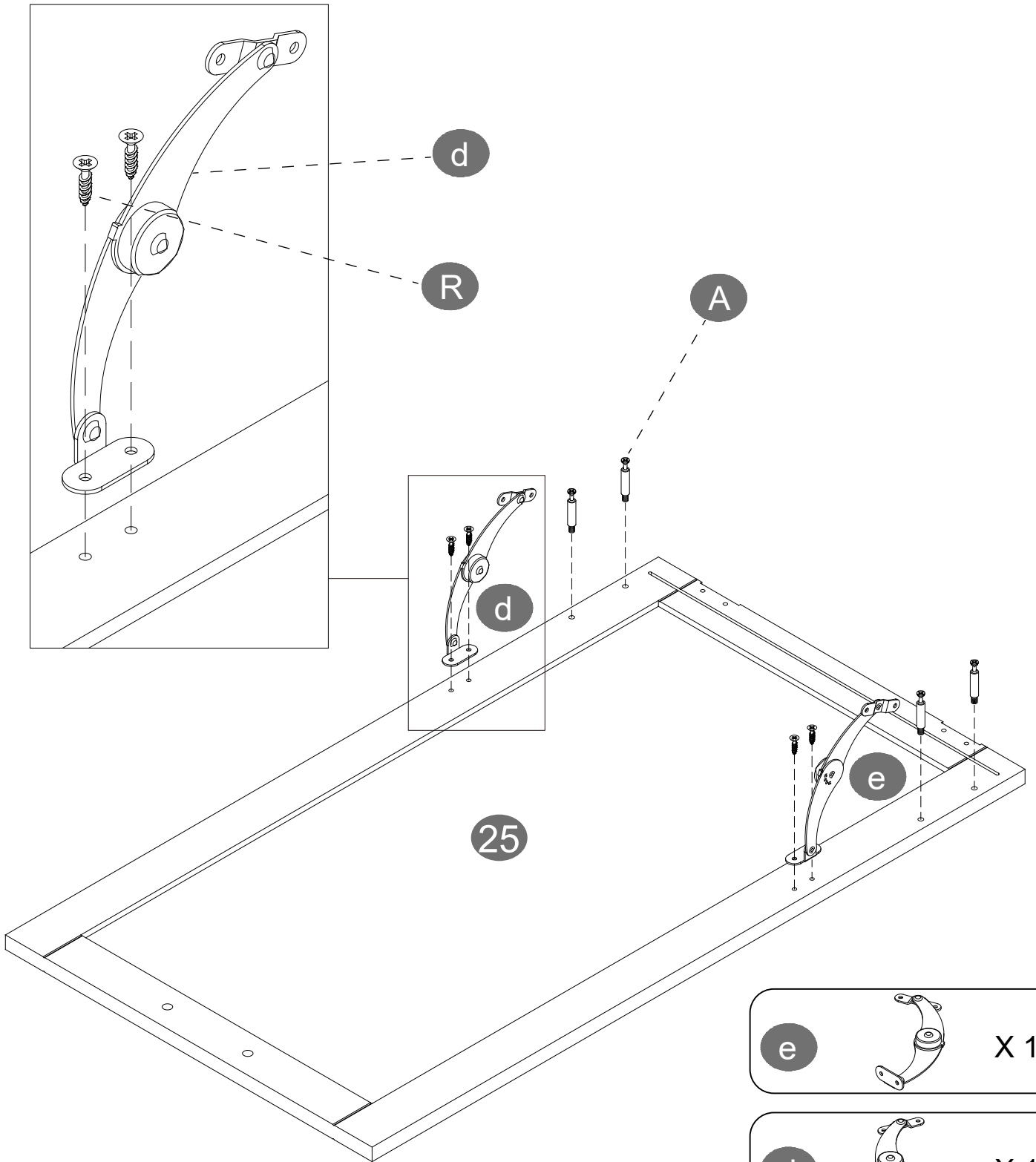
Step 31



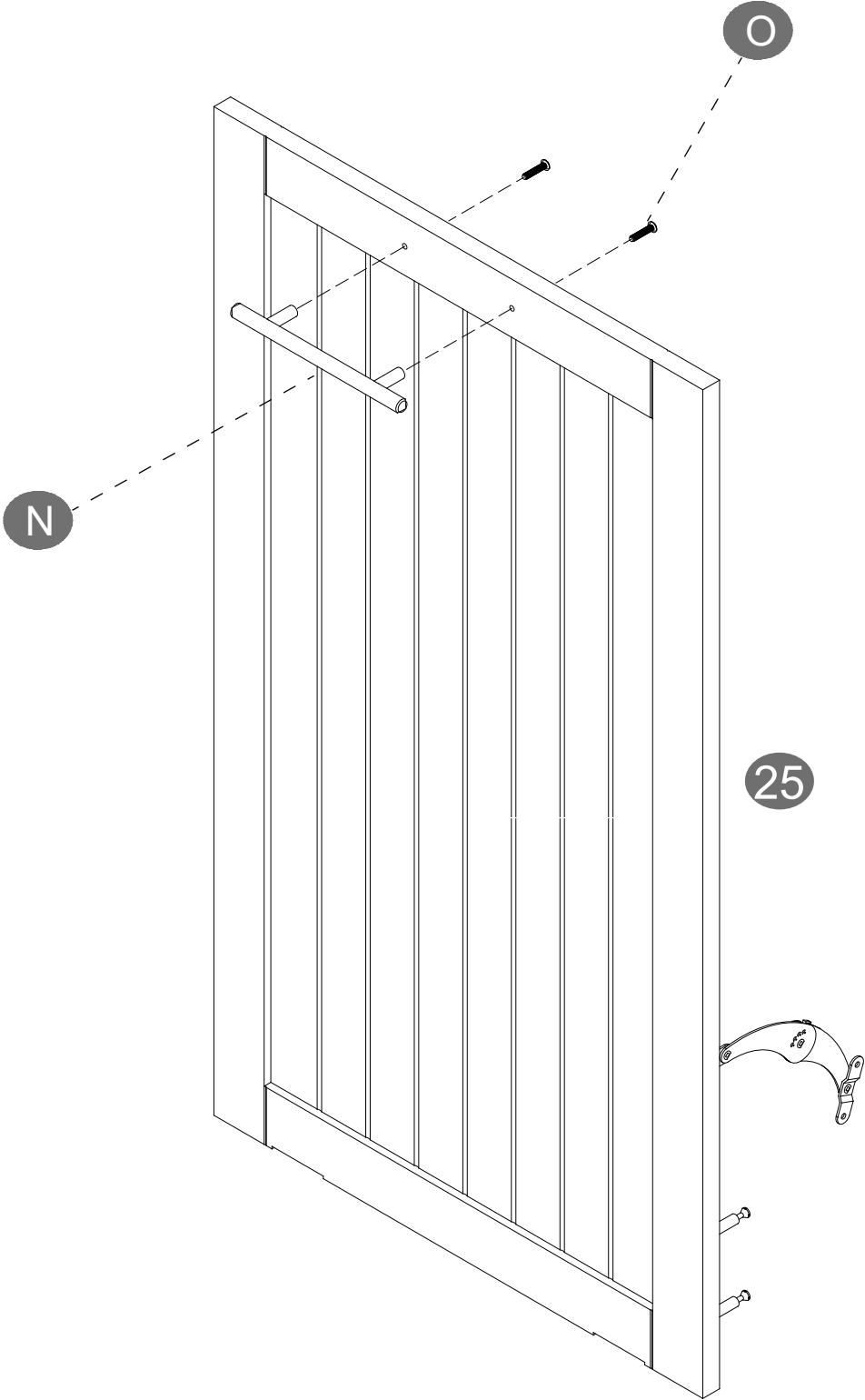
Step 32

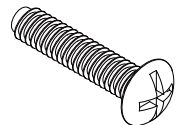


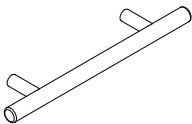
Step 33



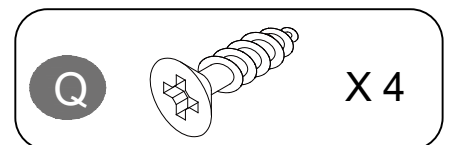
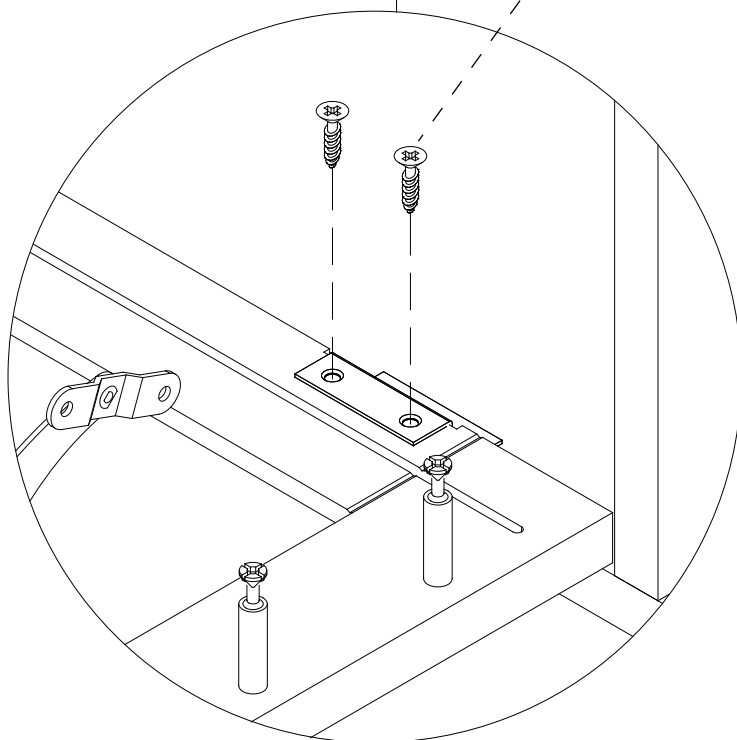
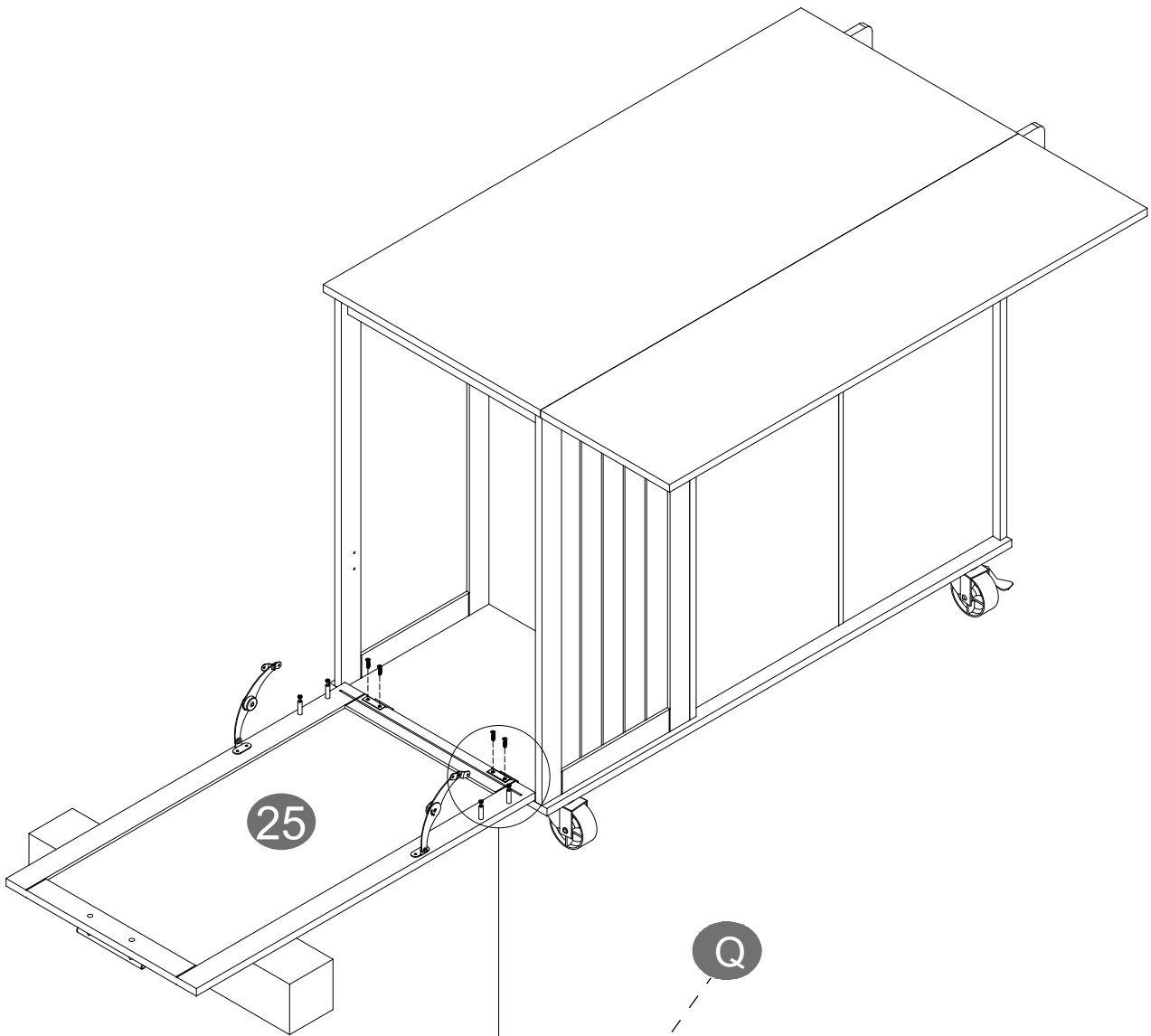
Step 34



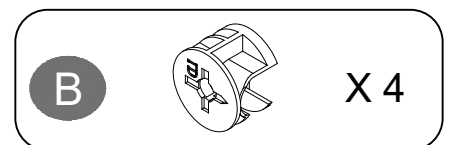
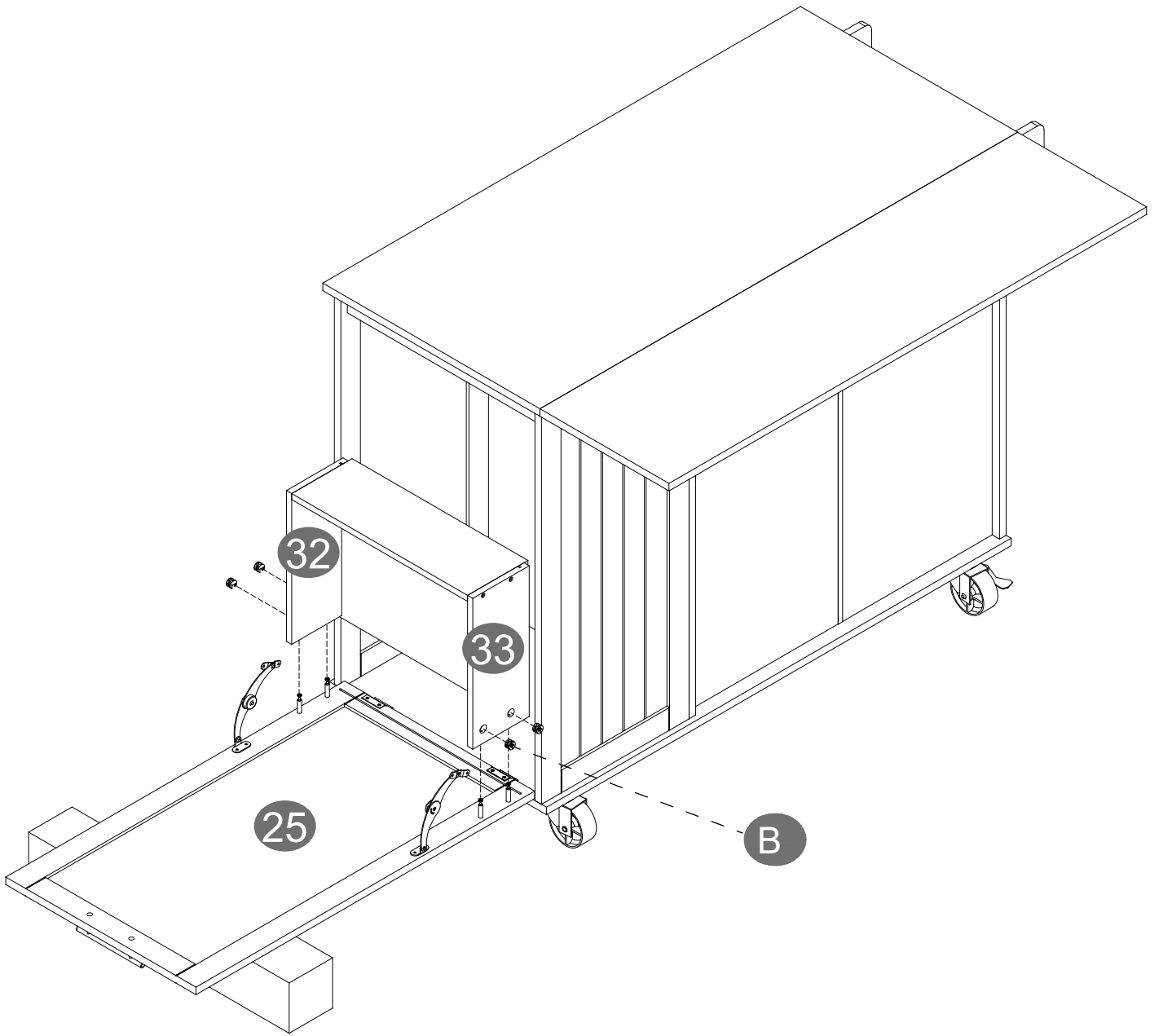
O  X 2

N  X 1

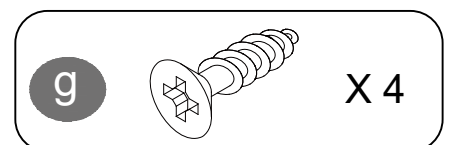
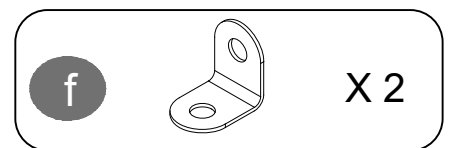
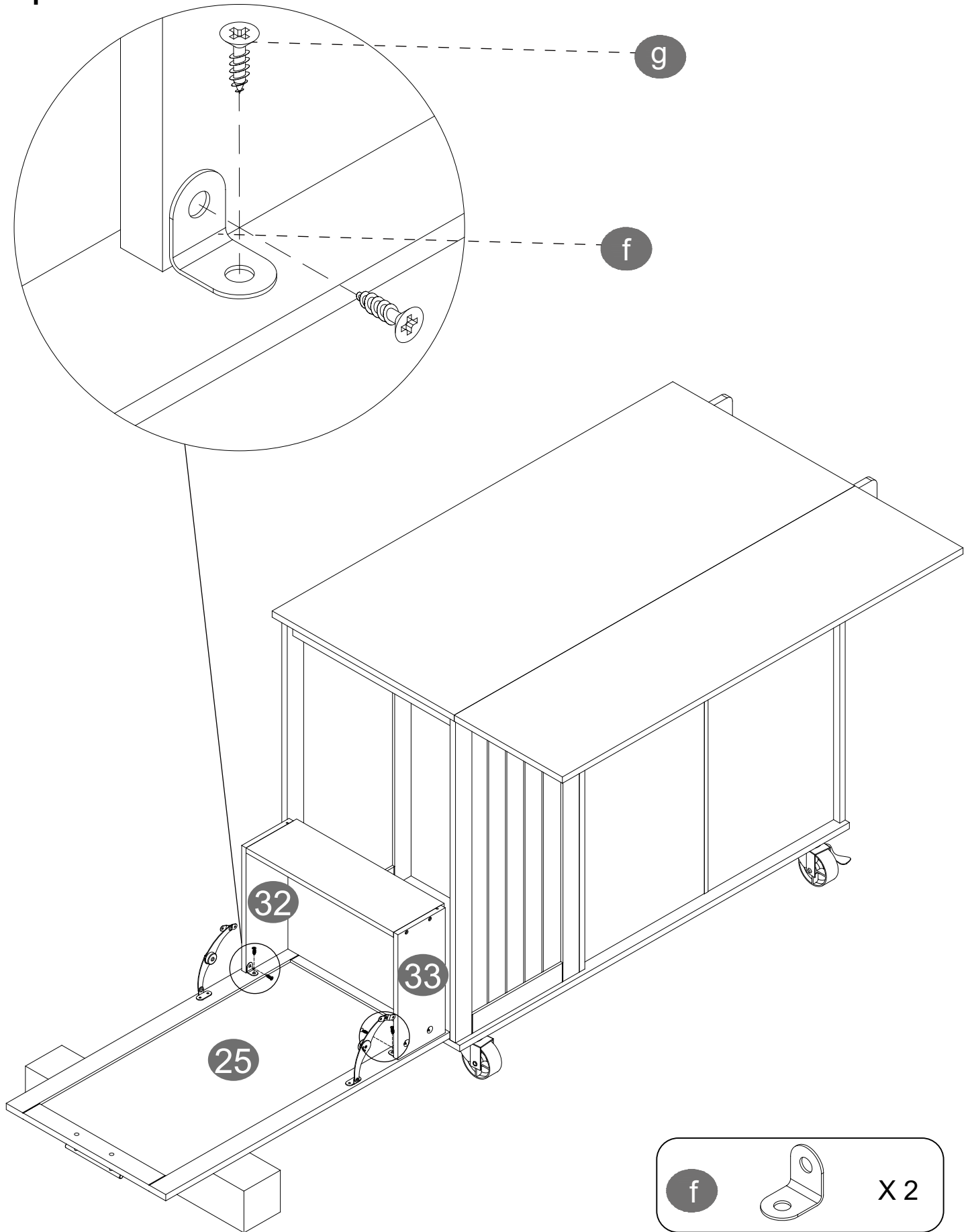
Step 35



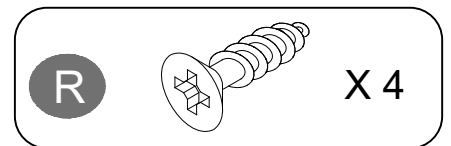
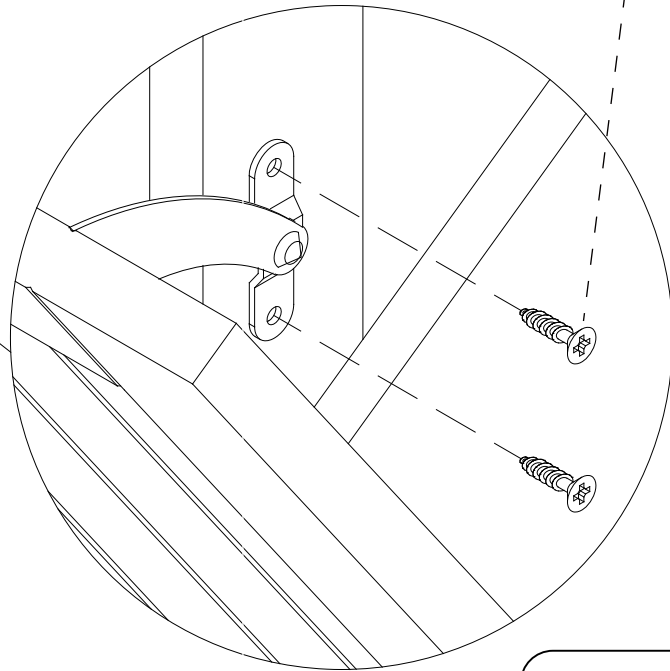
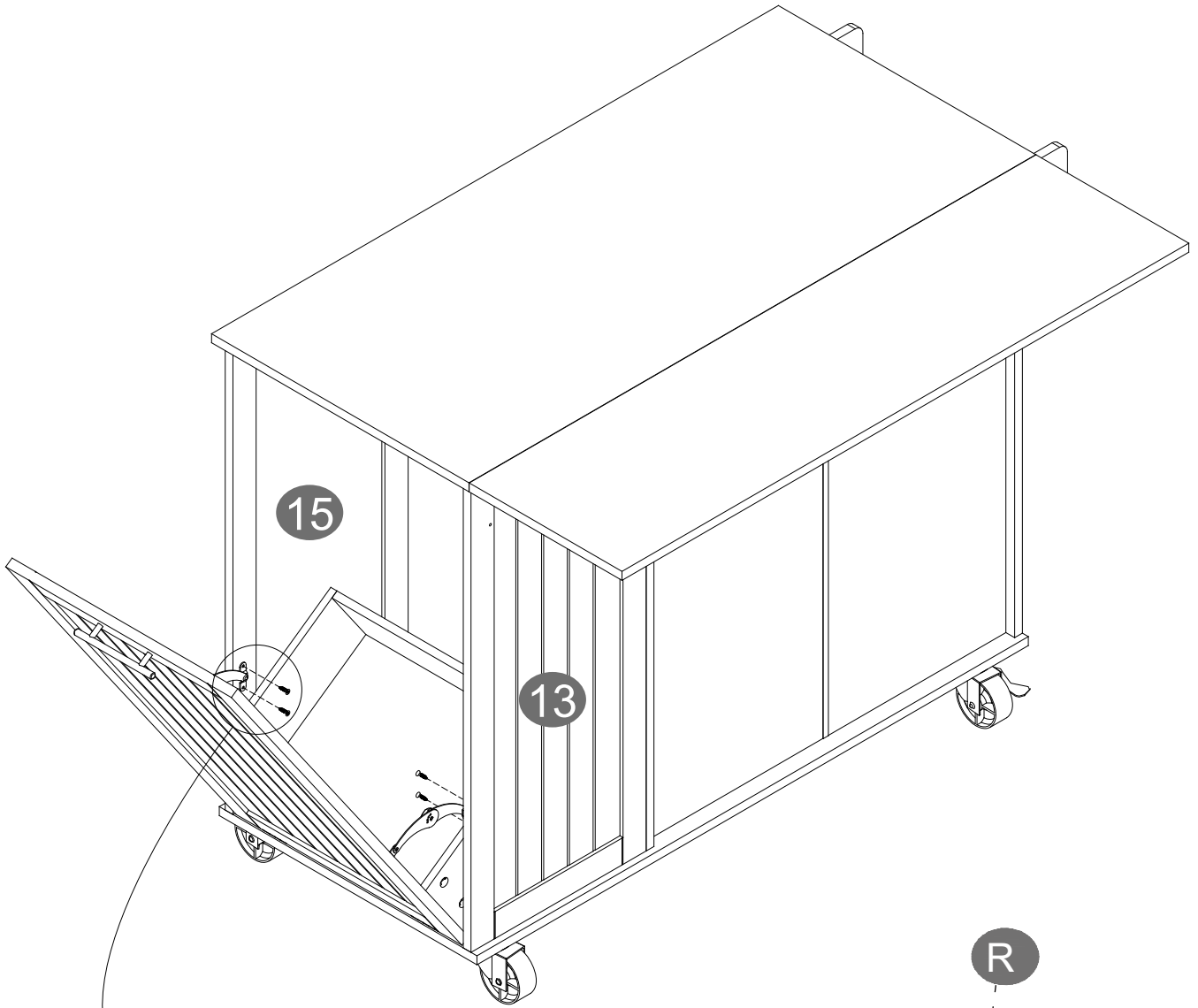
Step 36



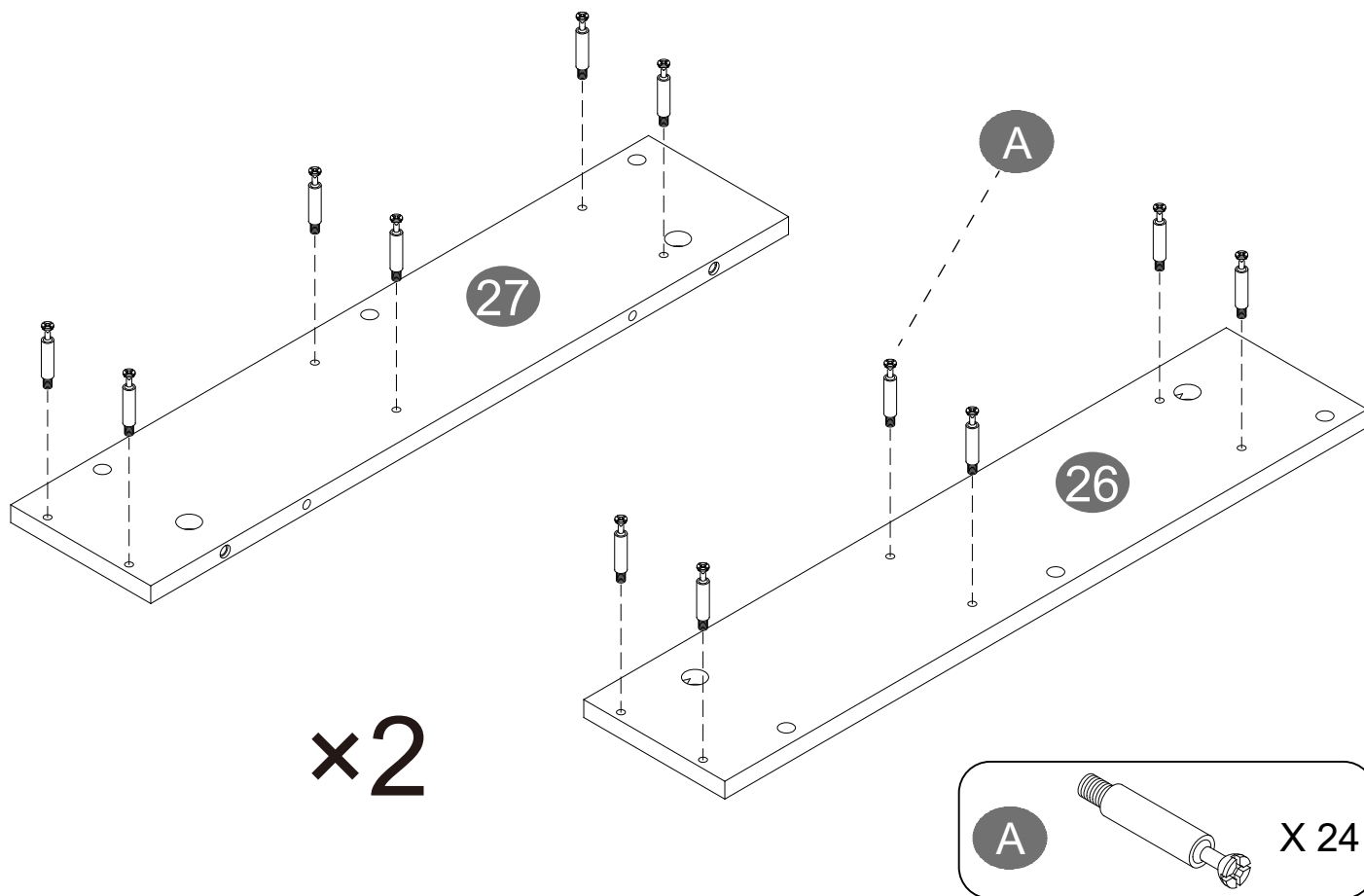
Step 37



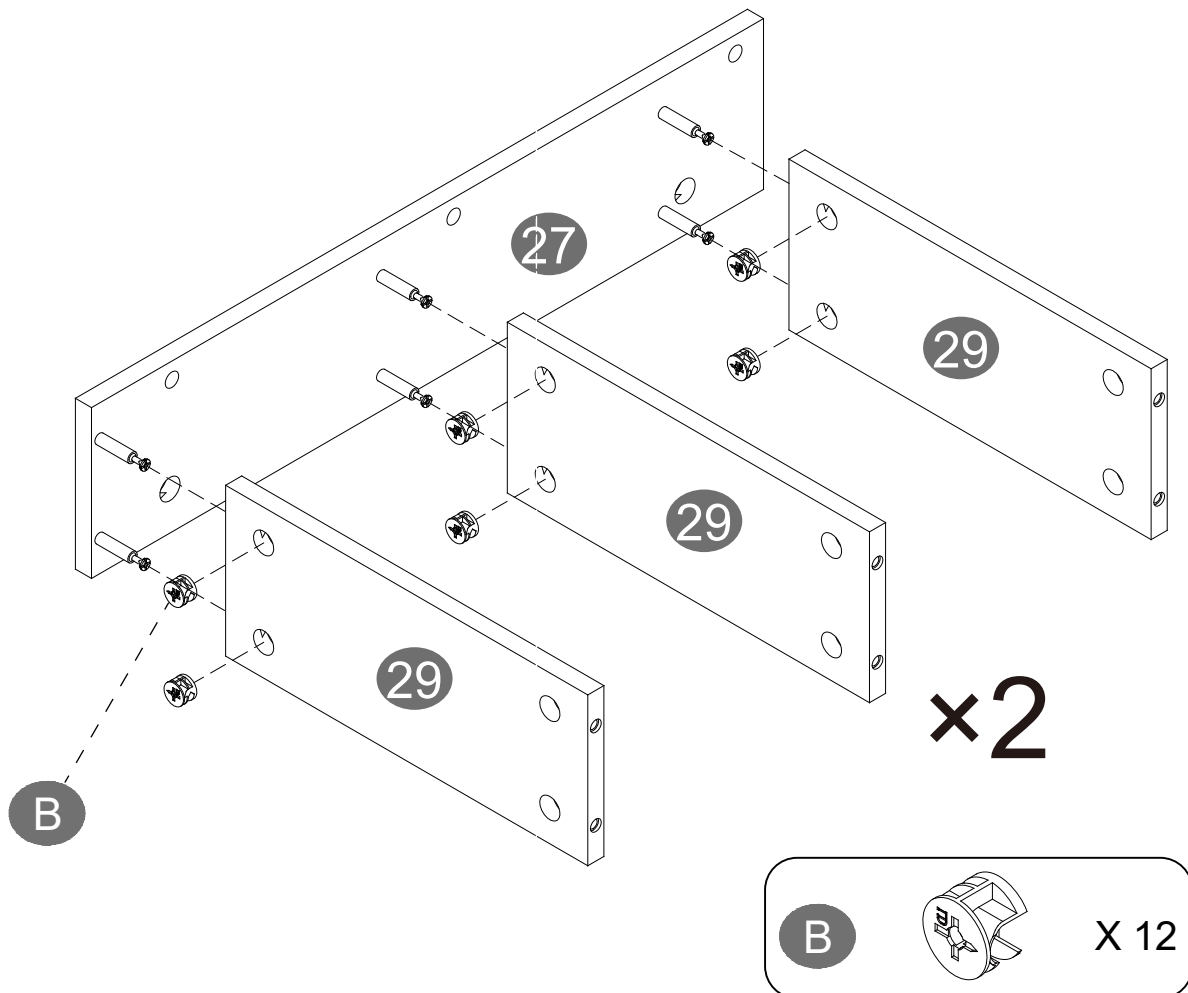
Step 38



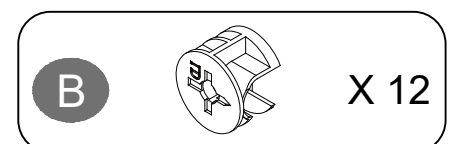
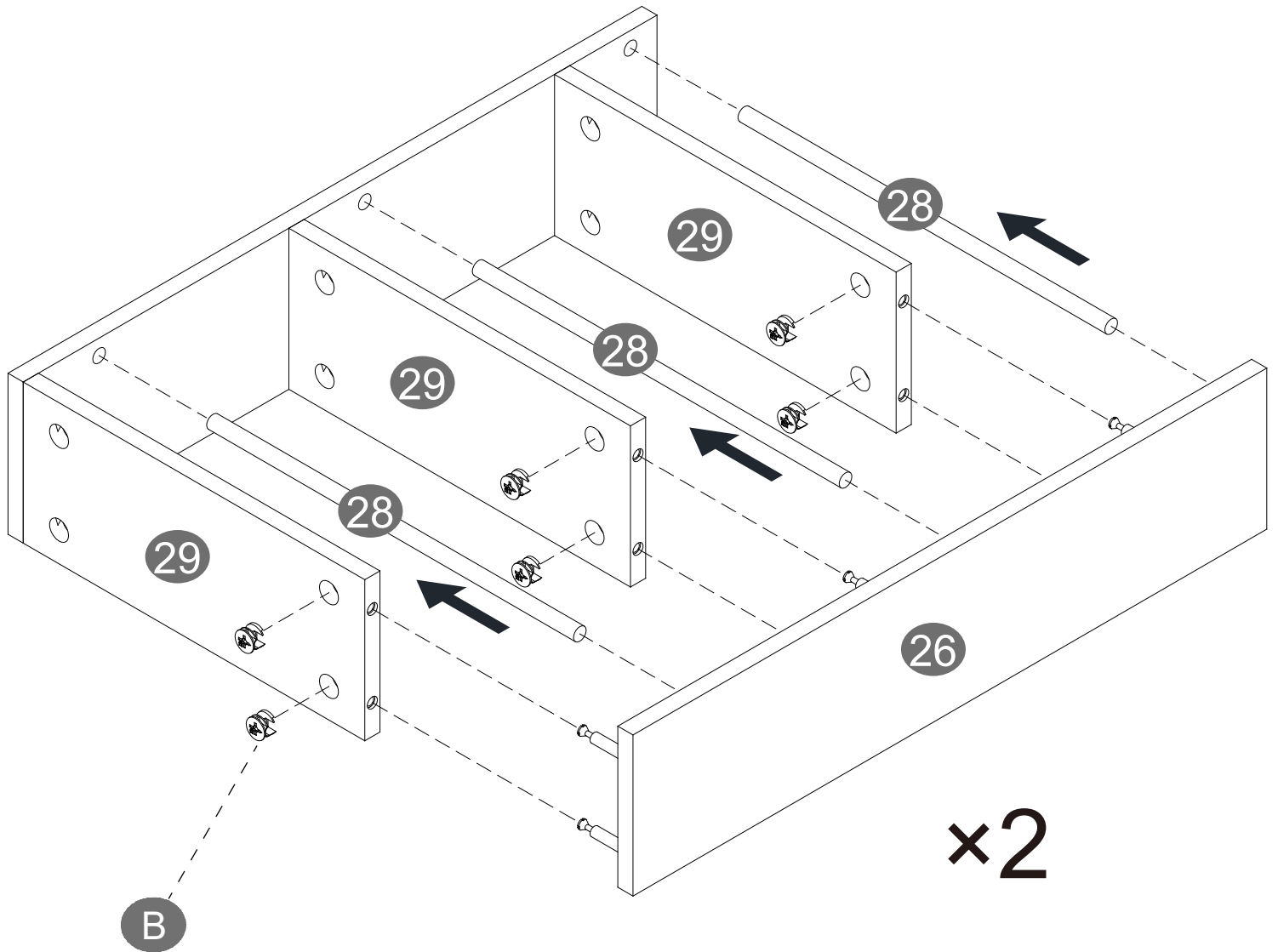
Step 39



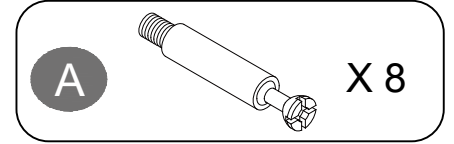
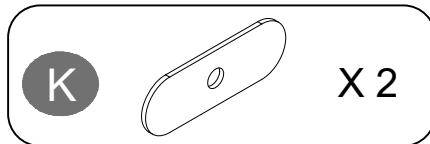
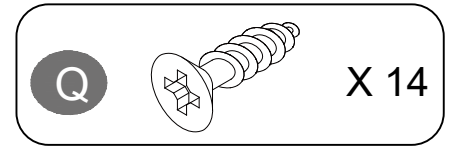
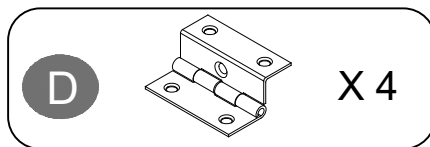
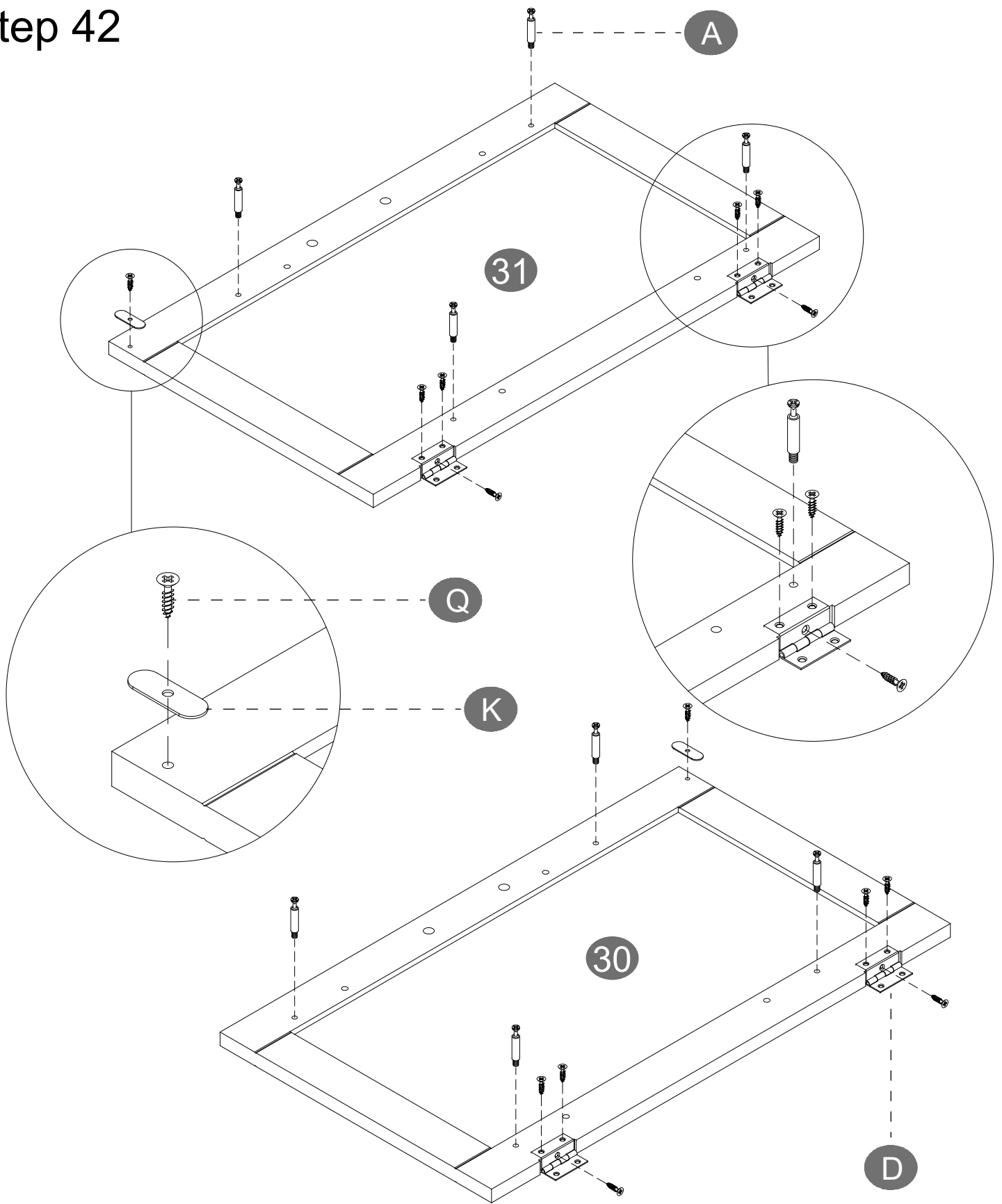
Step 40



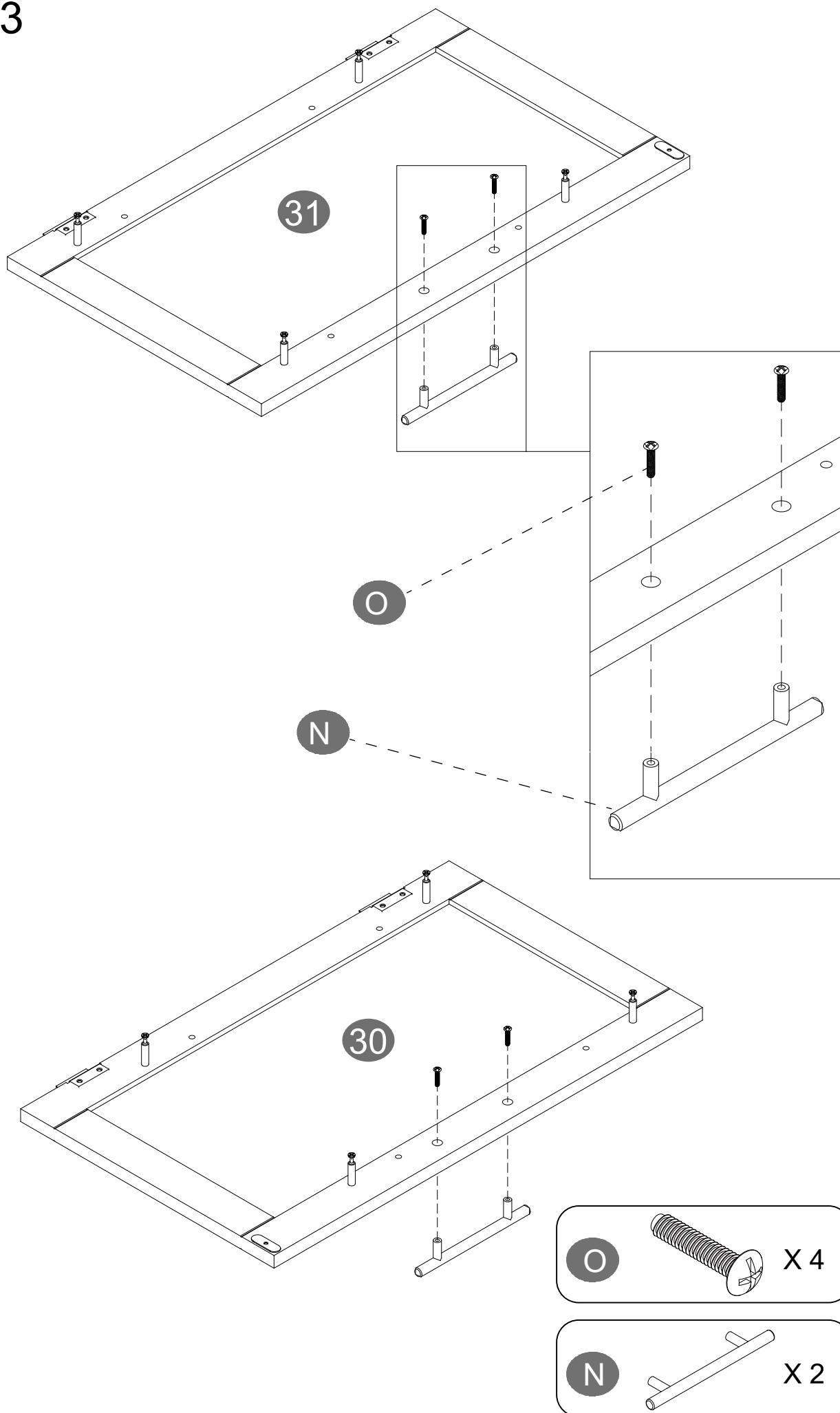
Step 41



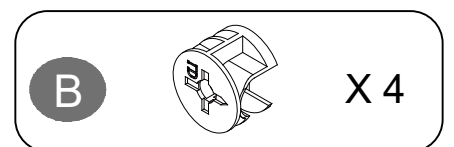
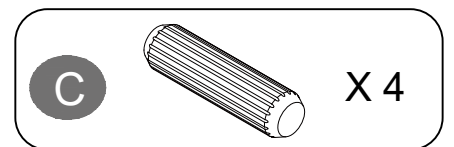
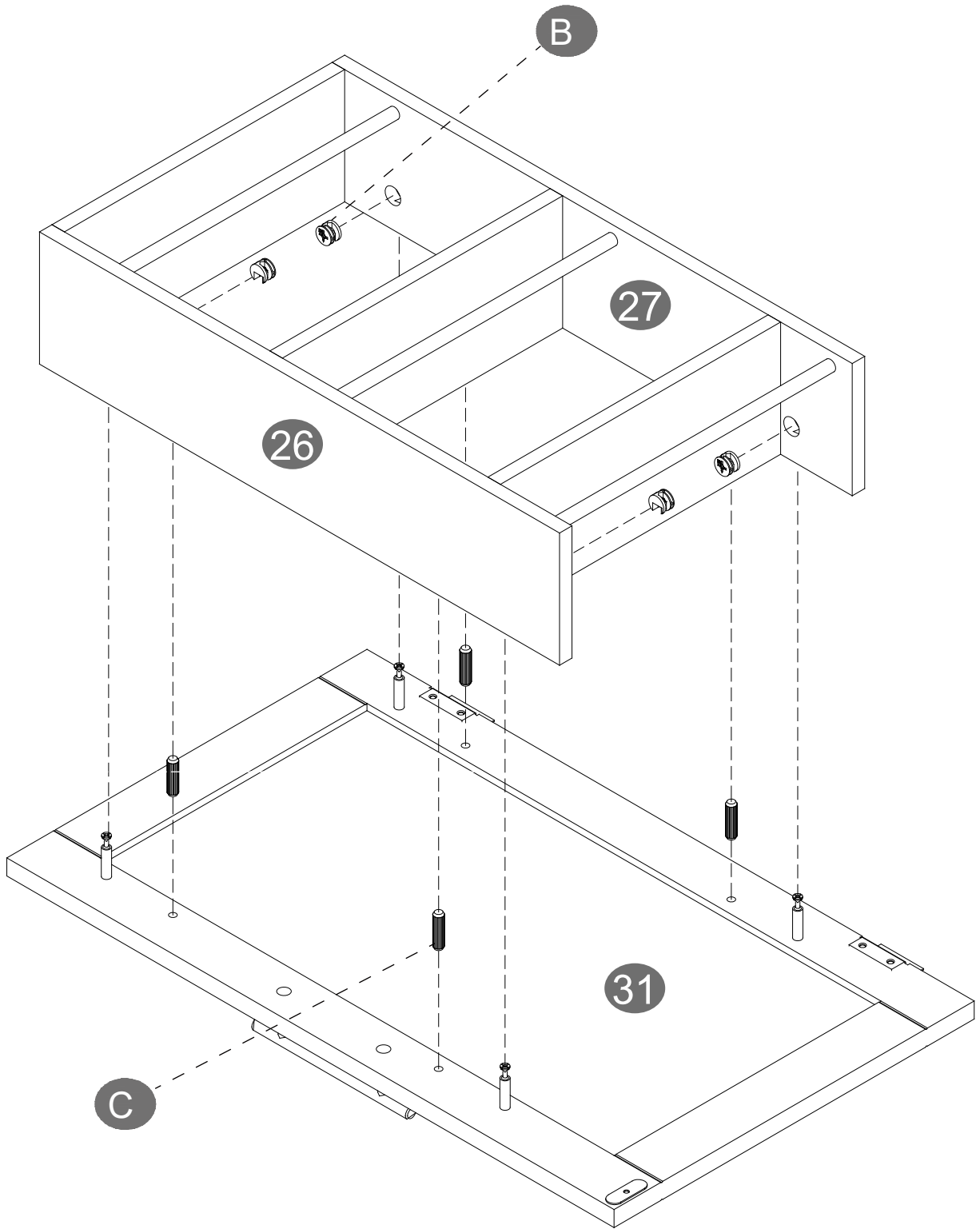
Step 42



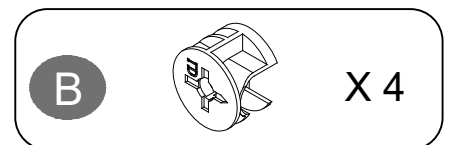
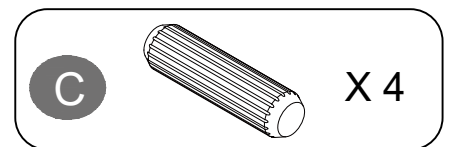
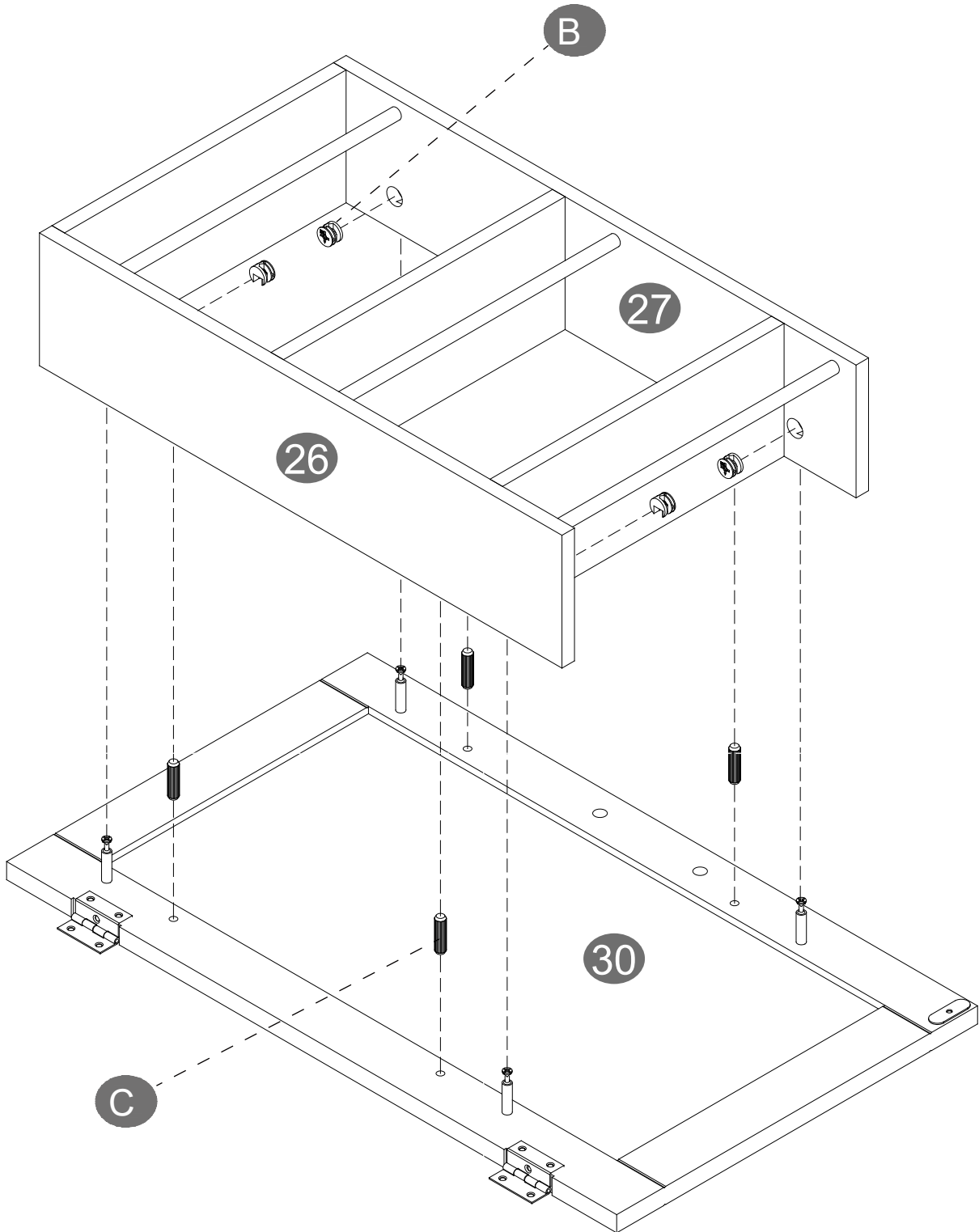
Step 43



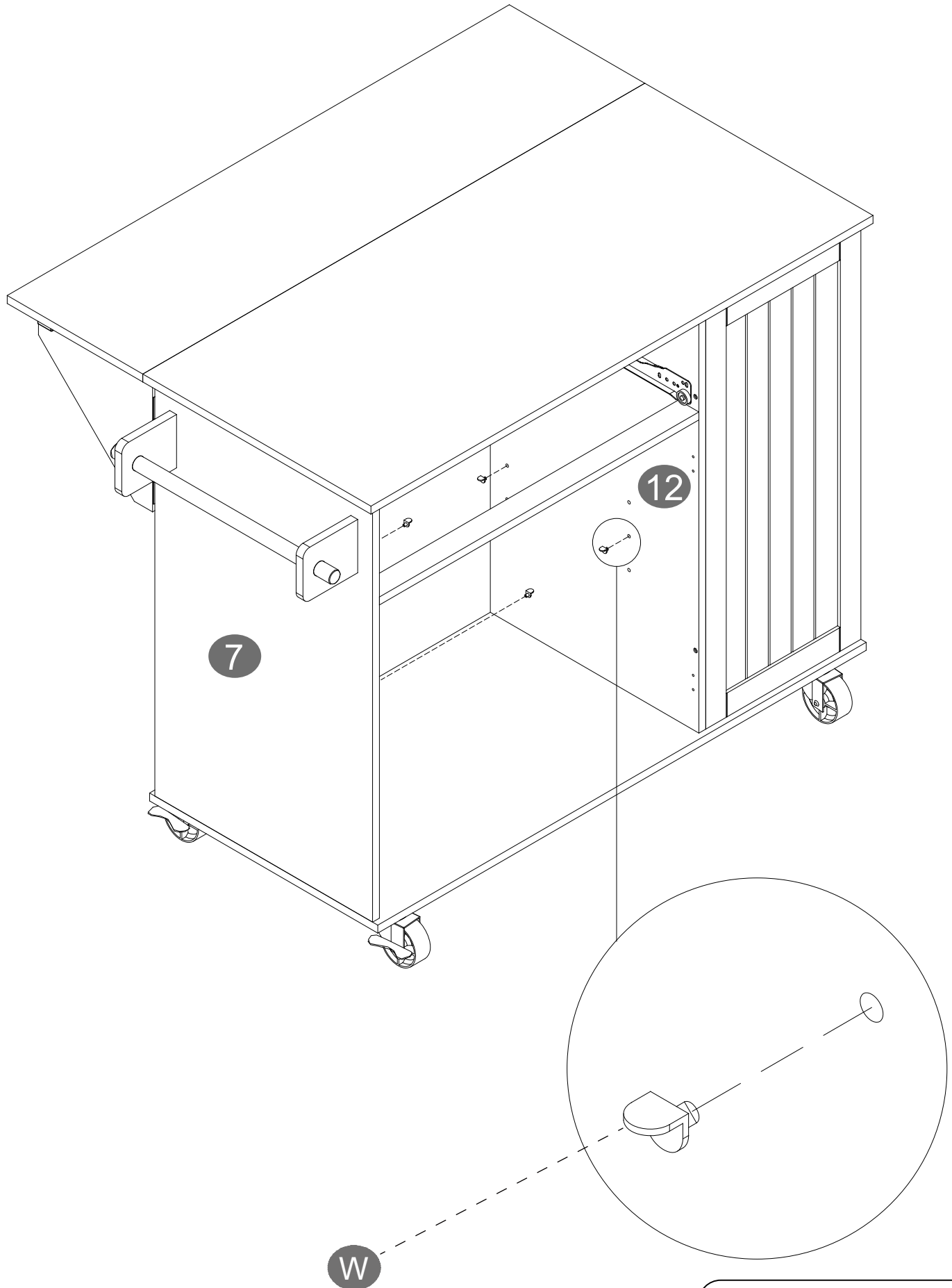
Step 44



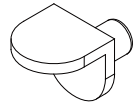
Step 45



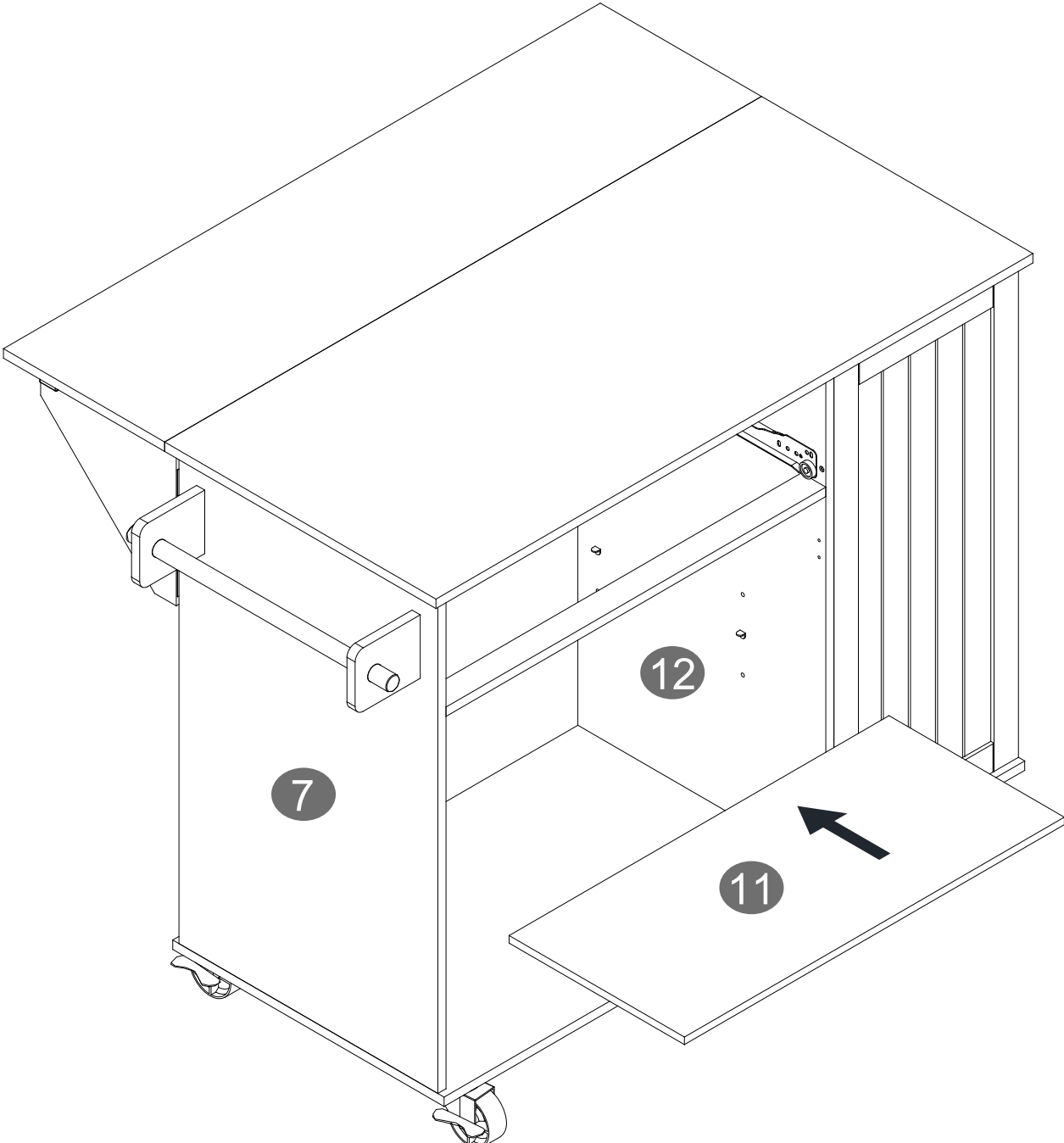
Step 46



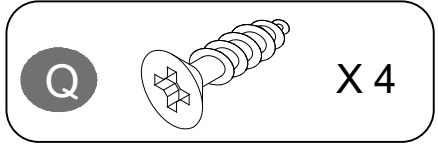
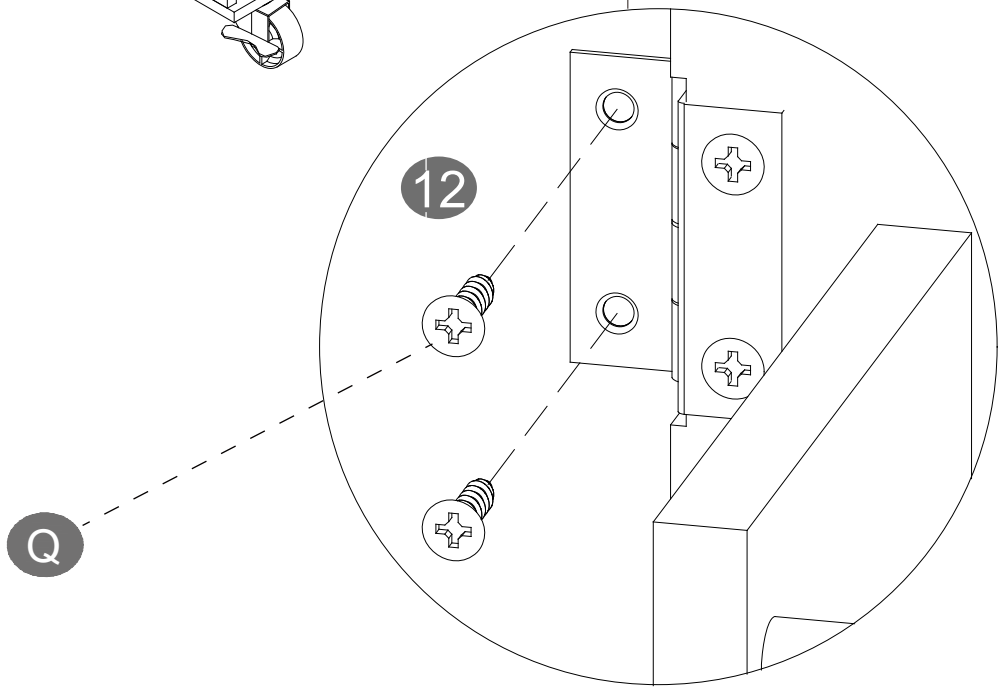
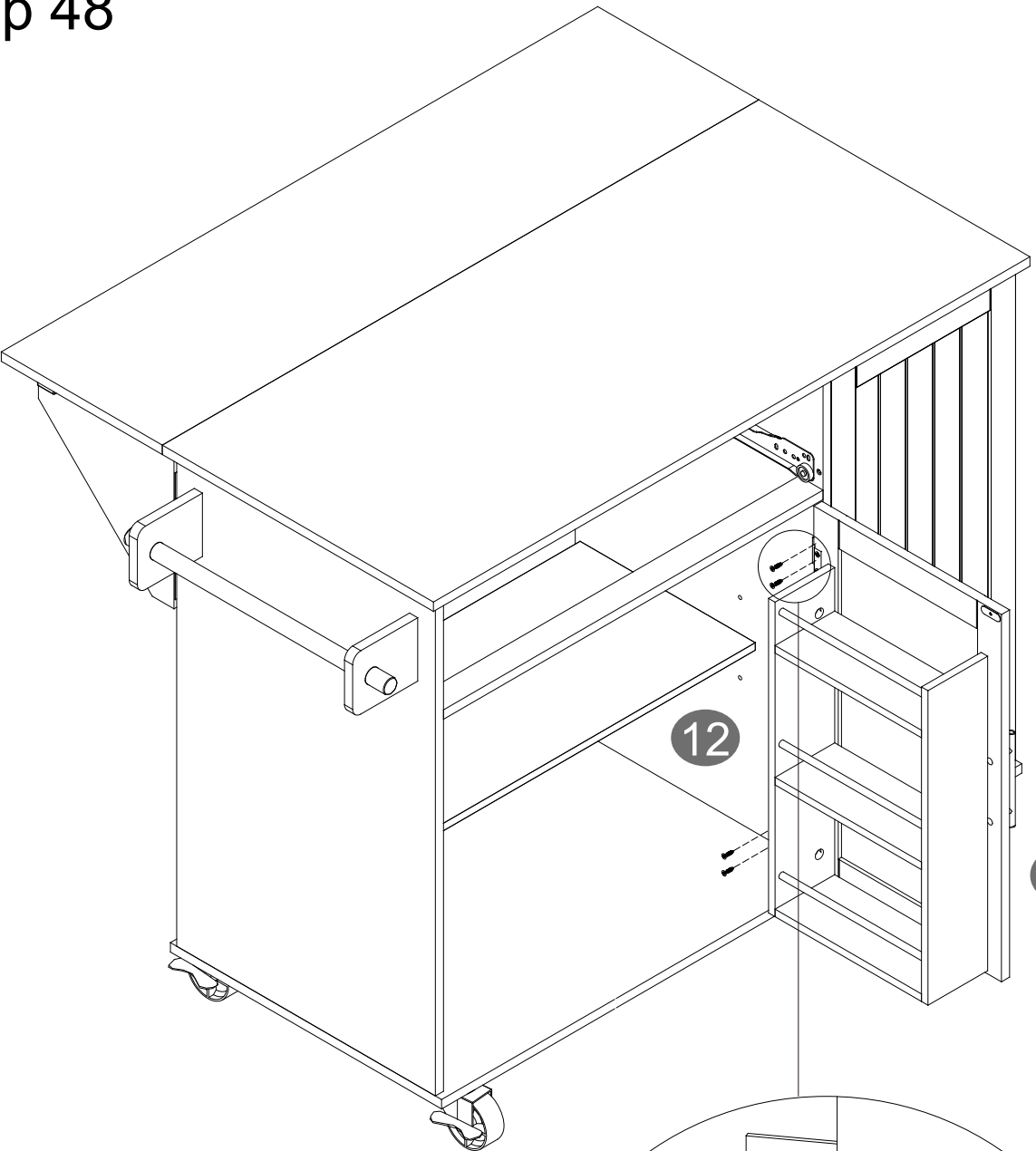
W

W  X 4

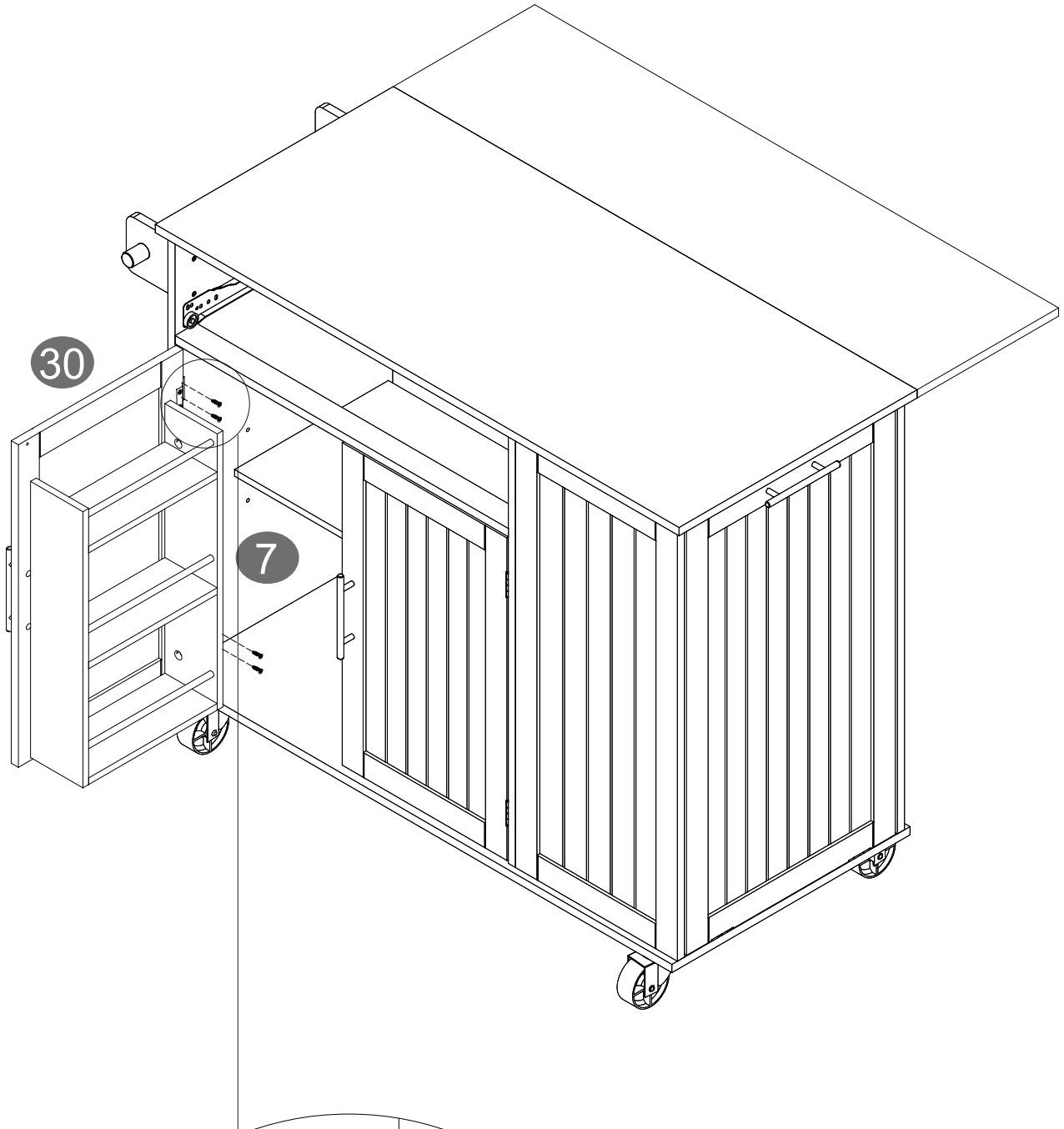
Step 47



Step 48



Step 49

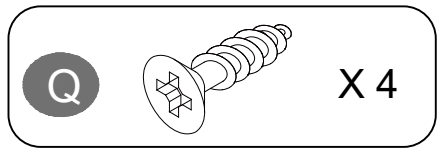


30

7

Q

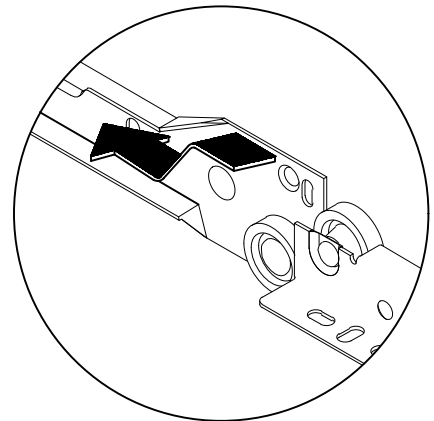
7



Step 50



Cabinet Slide



Drawer Slide