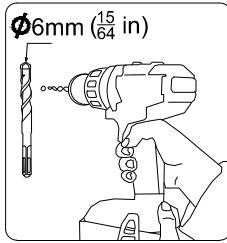
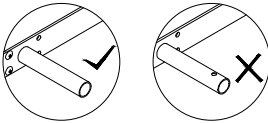
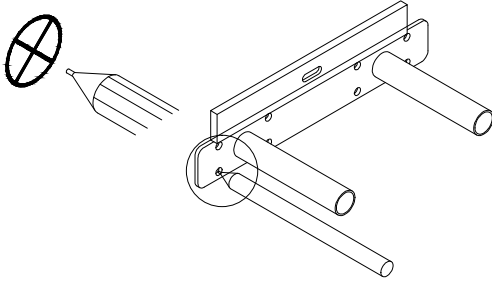
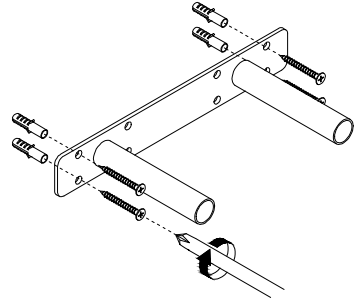


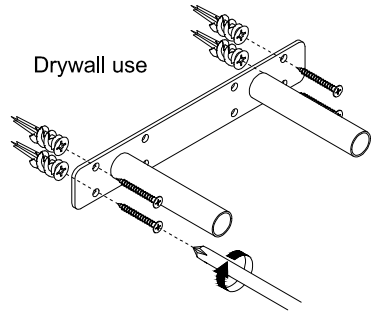
- 1** Mark holes in the wall and keep them horizontal.
Drill holes at the mark place, using a drill with a diameter of 6mm (15/64in) .



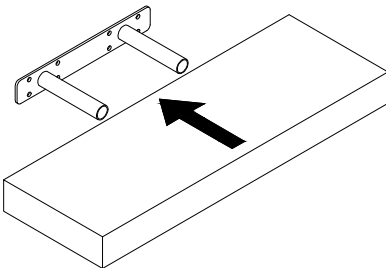
- 2** Choose the right anchor according to the different walls.



or



3



4

