

USE AND MAINTENANCE

- Use on level surfaces only
- Because this product needs assembly, it is prone to working itself loose from time to time depending on the use. Please take the time to check that all connections are still tight and working properly for safety.
- Only clean using a damp cloth and mild detergent, do not use bleach or abrasive cleaners.

Contemporary Oversized Genuine Leather Loveseat

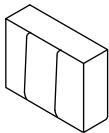
PART LIST



1 - Loveseat Base x1



2 - Loveseat Back x1



3 - Armrest x2



4 - Cushion x2



5 - Back Cushion x2



6 - Leg x4

HARDWARE



A - m8x50 x8

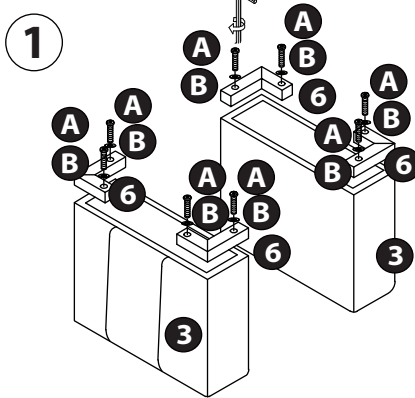


B - M8 x8

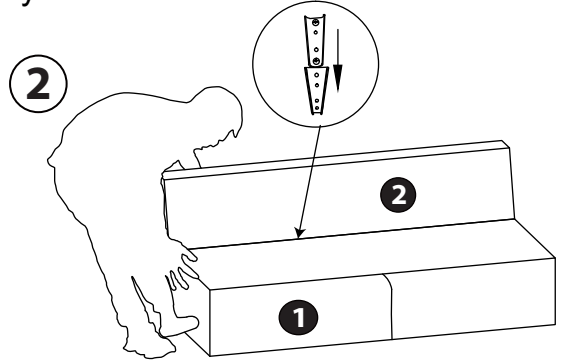


C - Hex Screwdriver x1

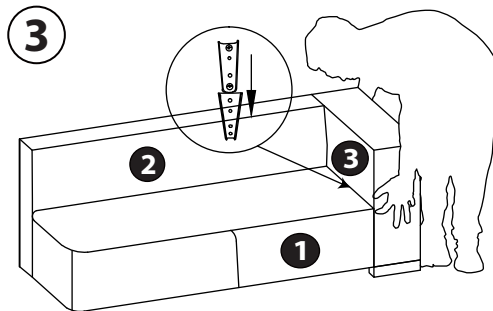
Assembly Instructions



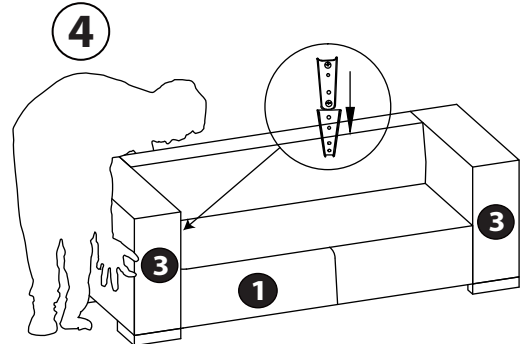
Select 3 (x2), 6 (x4), A (x8), B (x8) and C (x1).
Insert 6 (x2) into 3 with A (x4) and B (x4).
Repeat for the other 3.



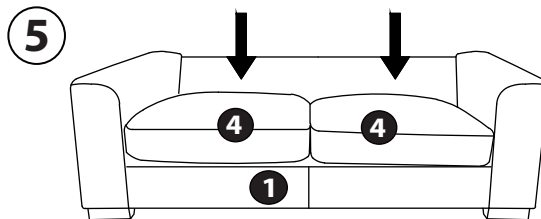
Select 1(x1) and 2(x1). Install 2 into 1.



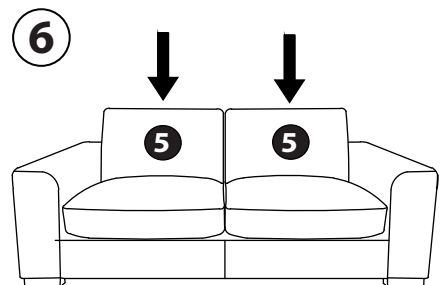
Install 3 into right side of 1.



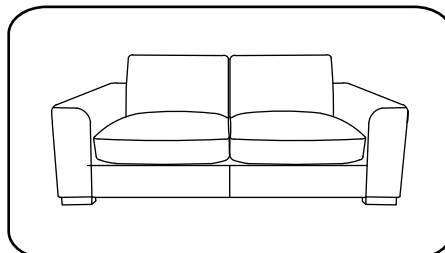
Install 3 into left side of 1.



Put 4(x2) on 1.



Put 5(x2) on Loveseat.



Congratulations! Setup of your new Contemporary Oversized Genuine Leather Loveseat is Complete!
Keep these instructions for future reference.