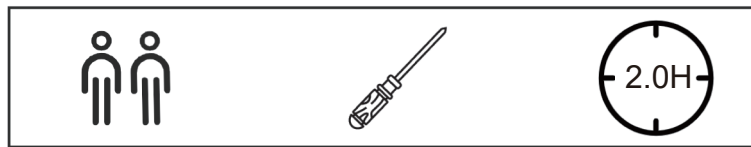


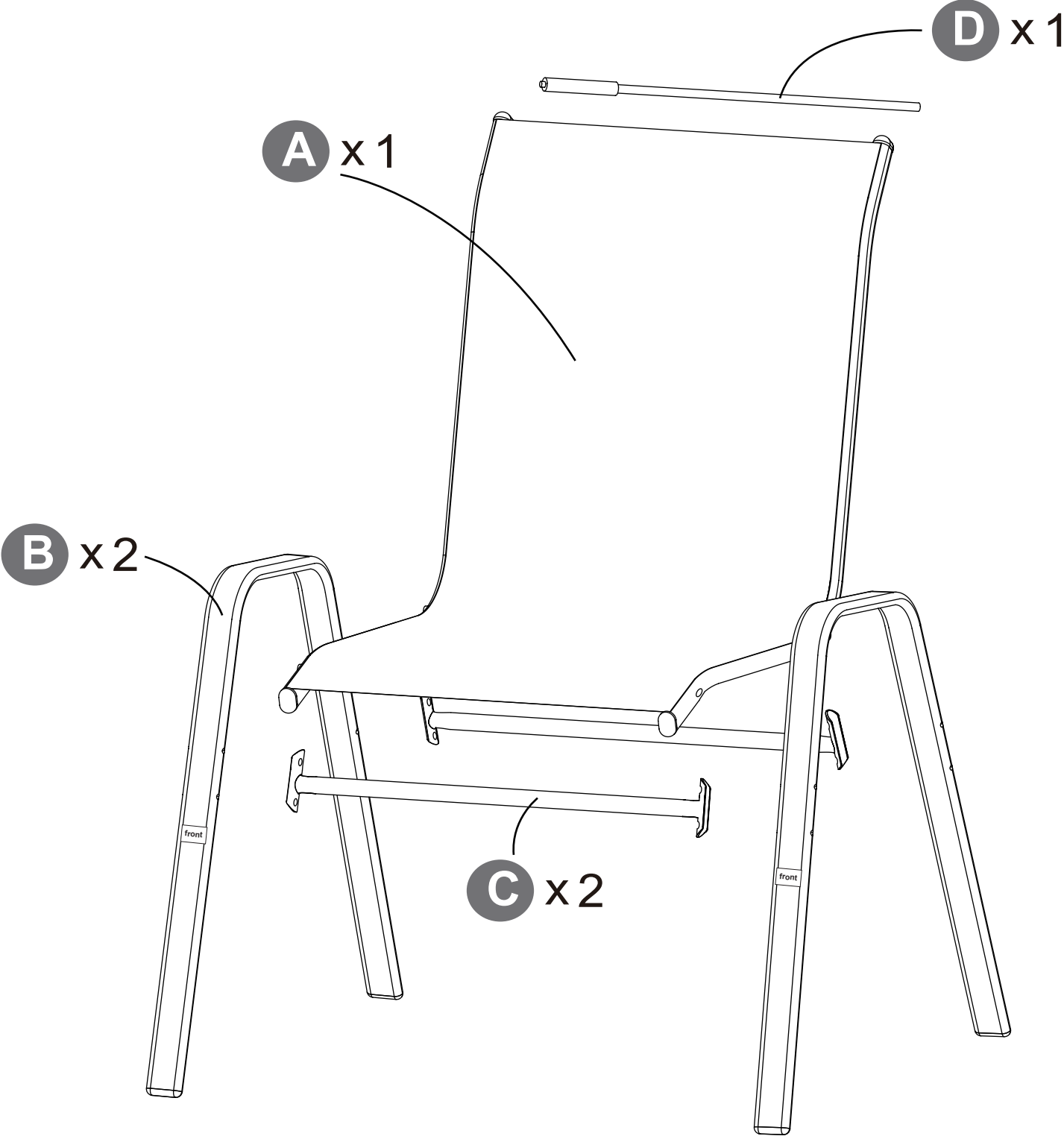
OUTDOOR CHAIRS



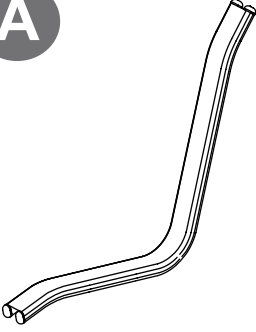
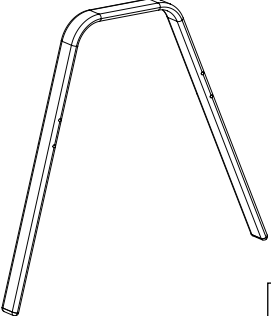
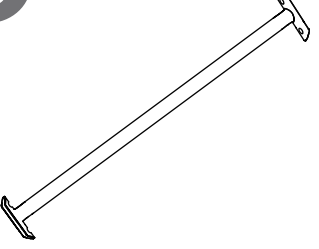
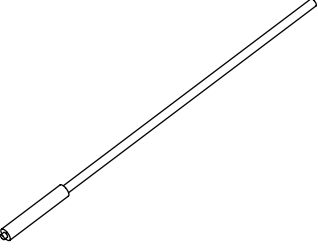
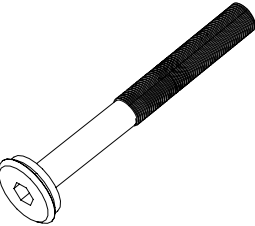
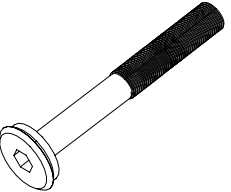
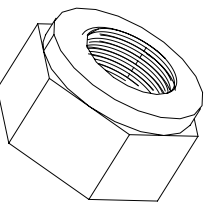
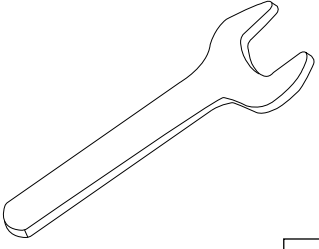
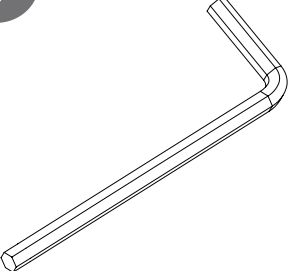
Any questions please contact us.

Read this instruction carefully. Refer hardware and furniture parts list for guidance. Be sure all parts are complete before assembling. Place all wooden furniture part on a clean and flat soft surface to prevent scratches. Refer steps provided as assembling guide.

EXPLODED DRAWING:

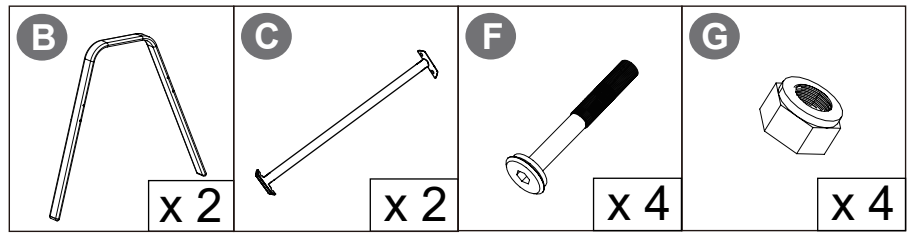


ACCESSORY LIST

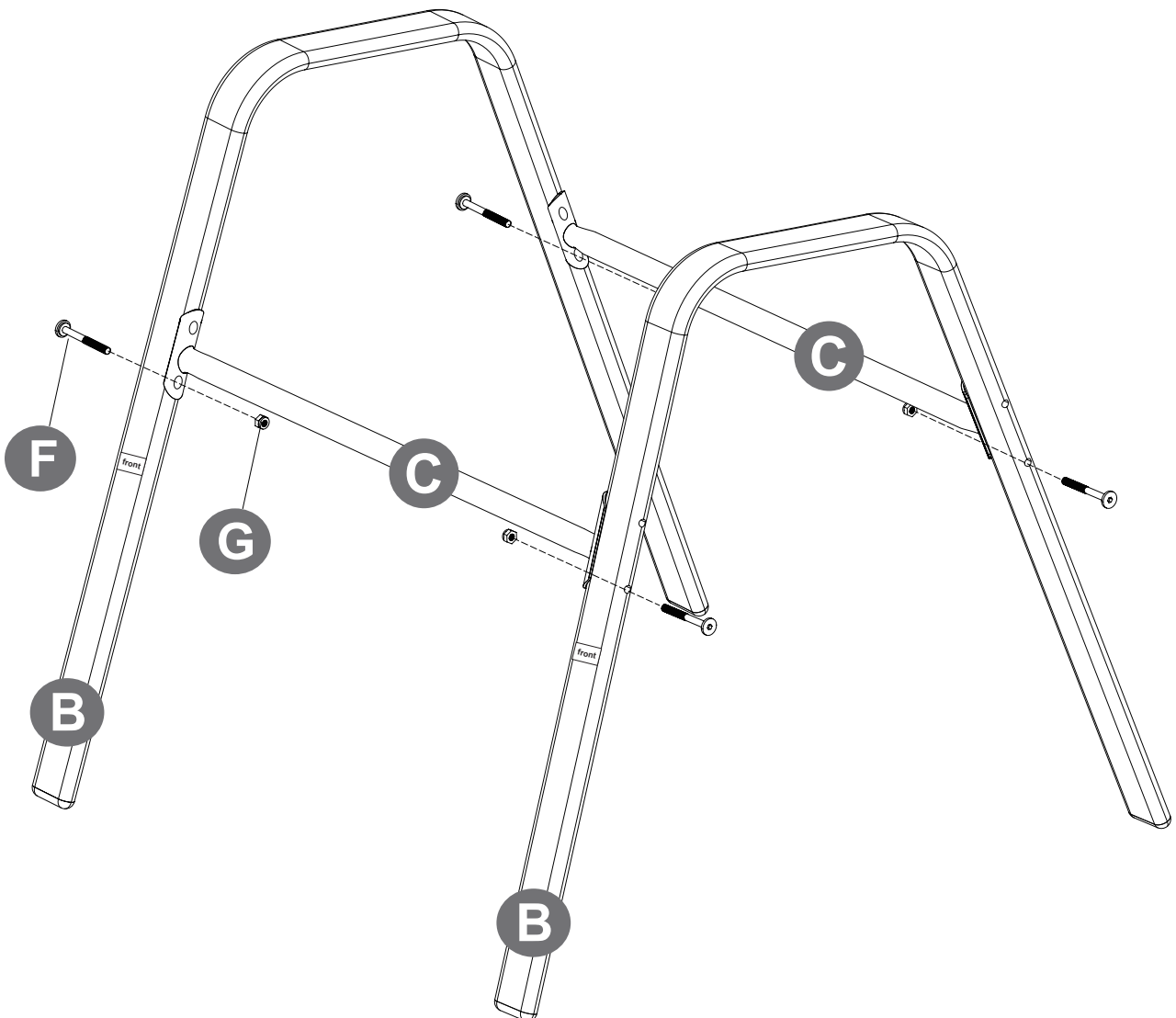
 <p>A</p> <p>x 1</p>	 <p>B</p> <p>x 2</p>	 <p>C</p> <p>x 2</p>
 <p>D</p> <p>x 1</p>	 <p>E</p> <p>M6*60MM</p> <p>x 4</p>	 <p>F</p> <p>M6*50MM</p> <p>x 4</p>
 <p>G</p> <p>x 4</p>	 <p>I</p> <p>x 1</p>	 <p>J</p> <p>x 1</p>

STEP

1



Please make sure to follow the following instructions carefully while installing. It's important to not tighten the screws right away. You must ensure that all the screws are securely fastened to 70% before tightening them.



3

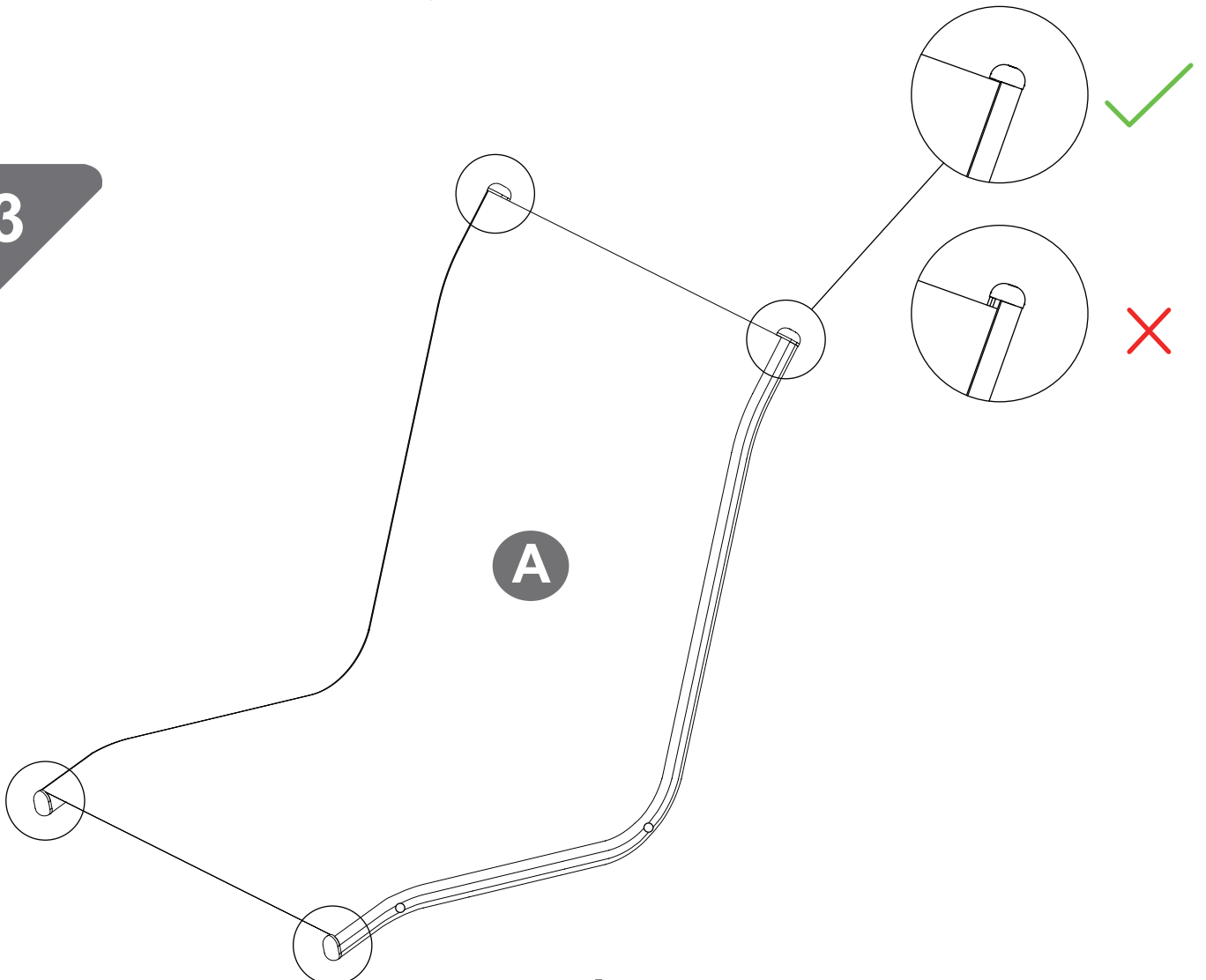
STEP

2

Folds will disappear after being placed in the sun for 5 hours or treated with an air dryer.



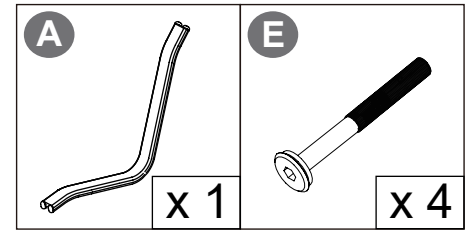
3



4

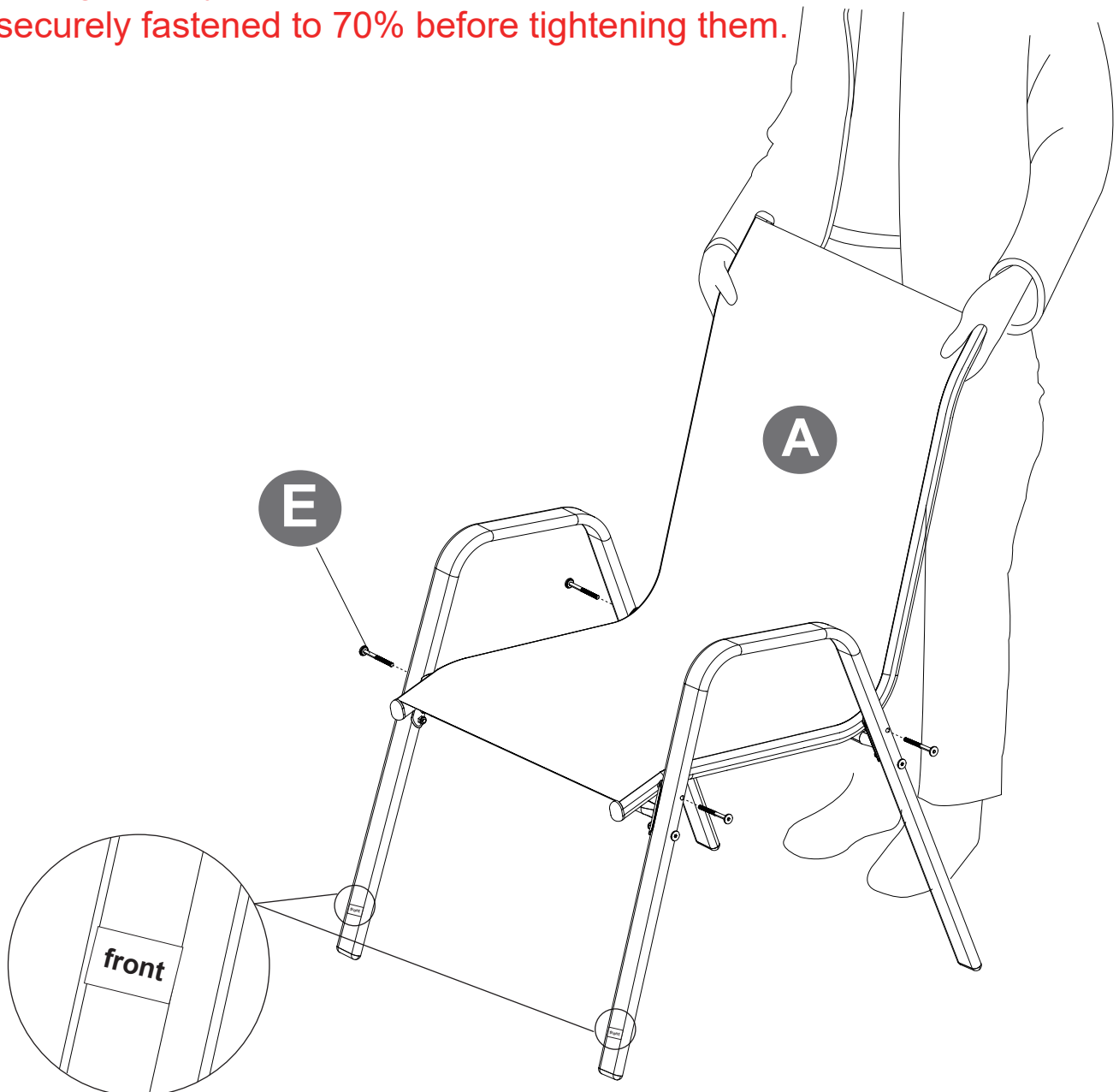
STEP

4



Looking for someone to help stabilize Part A

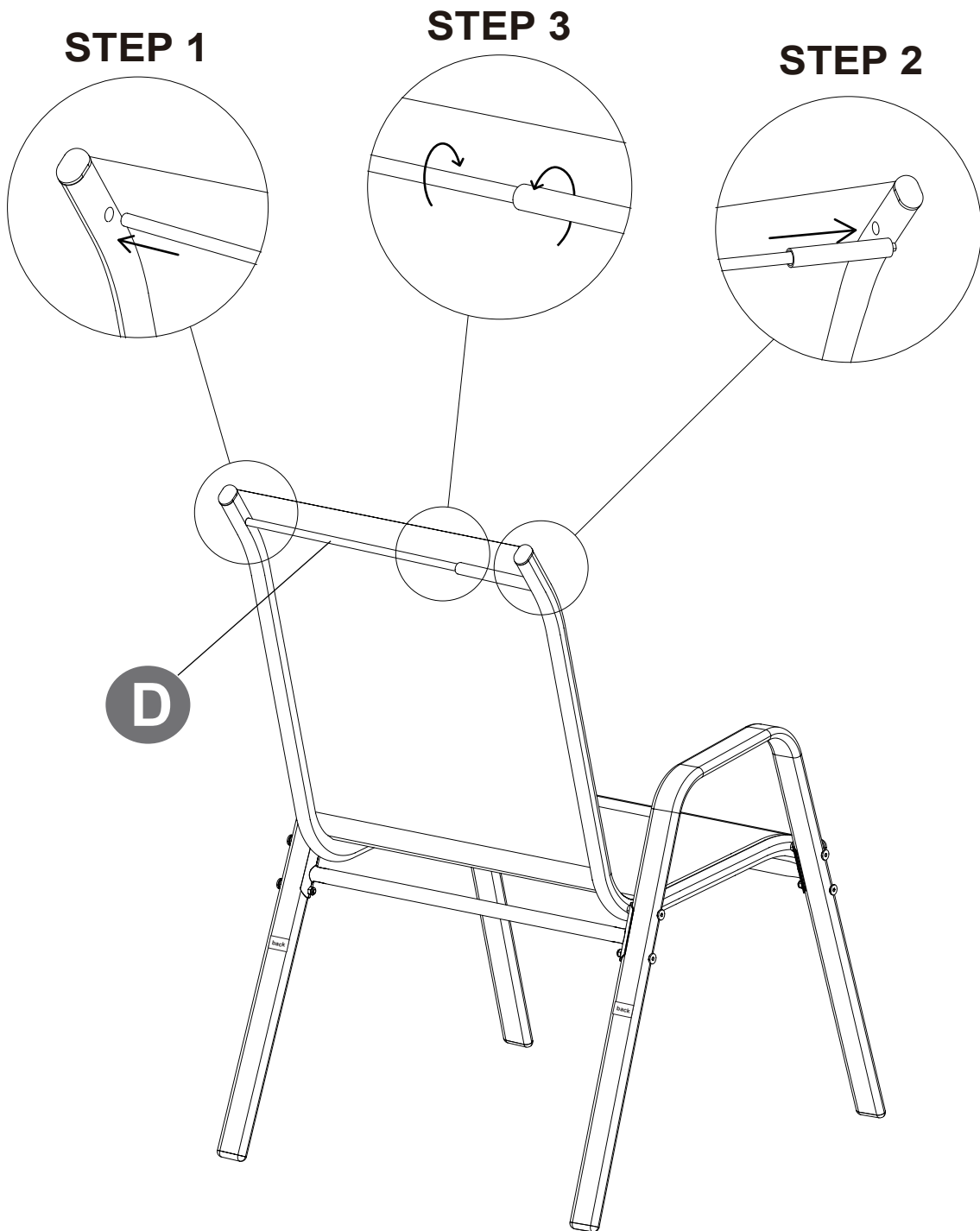
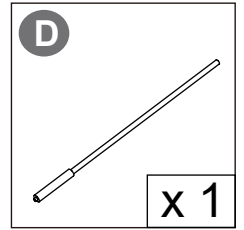
Please make sure to follow the following instructions carefully while installing. It's important to not tighten the screws right away. You must ensure that all the screws are securely fastened to 70% before tightening them.



5

STEP

5



TIGHTEN ALL THE SCREWS HERE

6

AFTER-SALE

AFTER-SALE SERVICE

If you have any suggestions for our products or find that the products have quality problems, please contact us first, our after-sales team will reply you within 24 hours, and we will do our best to give you solutions until you are satisfied.

Guaranteed Customer Service

Your shopping experience is very important to us!
Feel unsatisfied? **Contact us!**
Have any questions? **Contact us!**

Wanna share your experience with our products?
Share your pictures with us.

Any suggestions? **Contact us!**
We gotcha back!