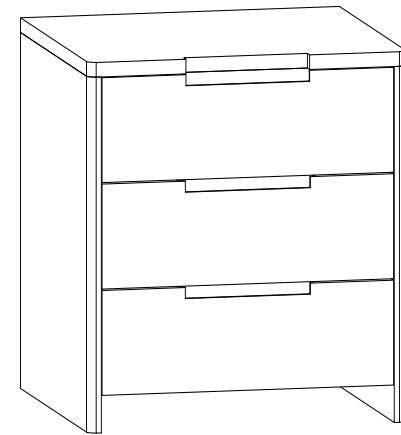


RIVERSIDE OAK WOOD 3 DRAWER NIGHTSTAND

DESIGN# SFV9759

Assembly Instructions



Need help?
Feel free to contact us via email or call
if you have any specific questions!

contact us:
cs@safavieh.com
866-422-9070

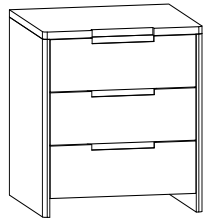
SAFAVIEH
C O U T U R E

Thanks for bringing Safavieh Couture into your home

Everything we make is incredibly simple to set up, including your new nightstand. You won't need any additional tools.

Parts List

A X 1
Nightstand



Hardware List

HW1 x 2
Wall Clip



HW2 x 2
Zip Tie



HW3 x 4
Screw (35x4mm)

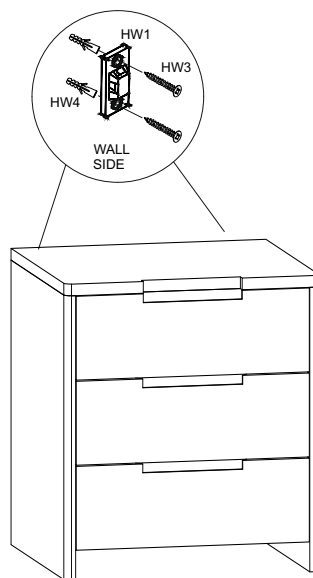


HW4 x 4
Screw Plug



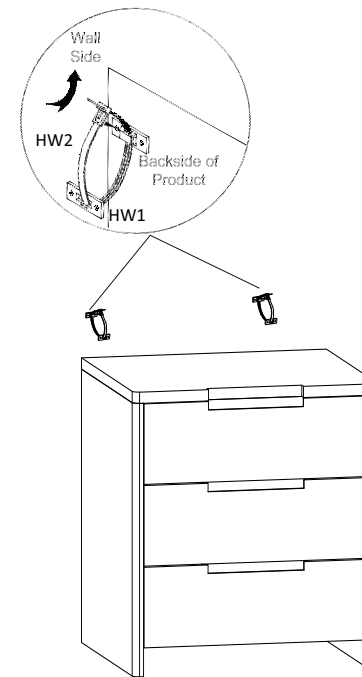
1

Screw the wall clip to the wall as shown above using (HW1), (HW3), (HW4).



2

Attach the nightstand with wall through given zip tie as shown above.



3

We'd love to see it – just tag us (we're @safavieh) and use the hashtag #safavieh on Instagram!

