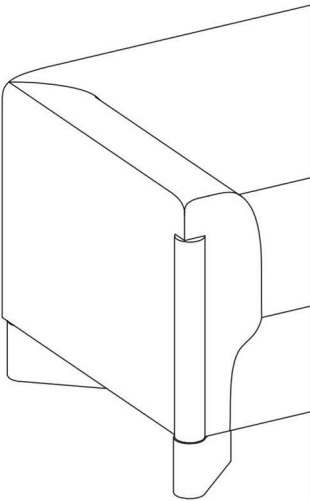


# Owner Manual



# WARRANTY

We strive to offer high quality product and we also try our best to satisfy each customer that order from us, no matter on products or services as needed. Each customer receives a record of their order, such as the order number or item receipt. For any items that are out of warranty period, you may still be able to purchase the replacement parts from our company if they are available.



# MAINTENANCE AND WARNING

Please read the manual thoroughly  
before you start installing.

Please keep the product away from  
sharp object.

Packaging and small parts may have  
chocking hazard, please keep them away  
from children and pets.

Please clean the product according to each  
clean code, check the product description  
for more information.

Please keep the product away  
from fire.

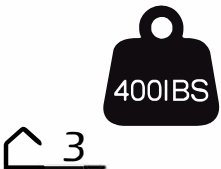
If you have any other questions, please  
contact us, we will be glad to help you out.

If the product is placed under direct  
sunlight, the pattern or color might fade  
away overtime.

Check the product periodically to make  
sure everything is secured and tightened.

Always use proper tools for installation.

Do not jump on the product.



# PRODUCT DESCRIPTION

## Refined Nordic Luxury Design:

This armchair features a balanced, architectural silhouette with wide armrests and clean geometry, delivering a composed and quietly luxurious visual presence.

## Layered Comfort System:

High-density foam sponge creates an inviting seat surface, supported by independent pocket springs that enhance elasticity, stability, and long-term comfort.

## Single-Seat Functionality:

As a single-module armchair, it integrates seamlessly into living rooms, bedrooms, or reading corners, serving both decorative and everyday seating needs.

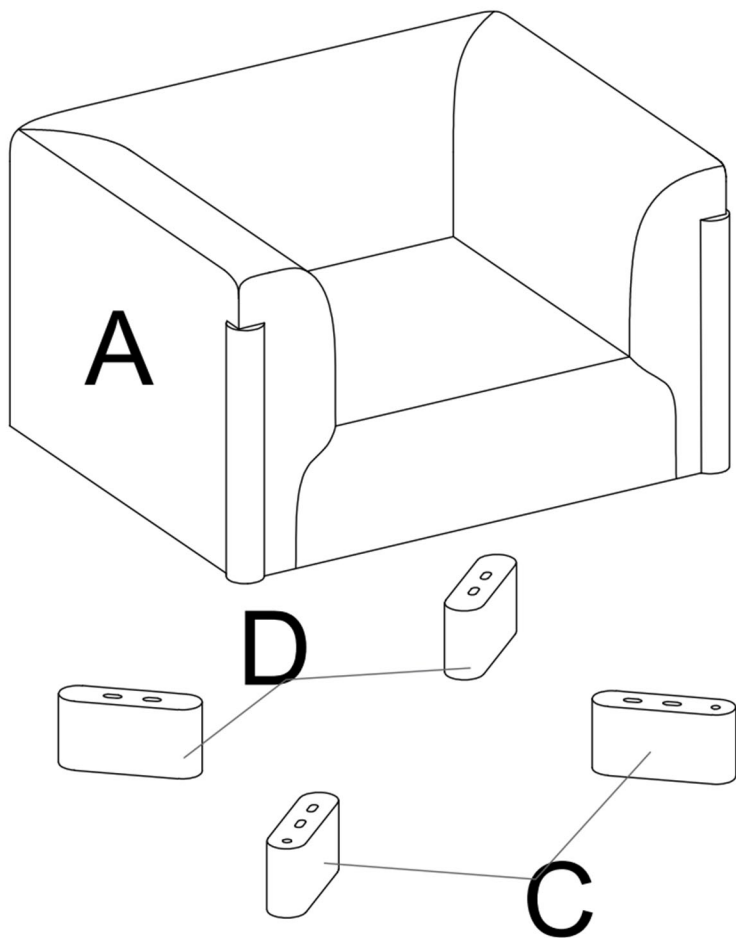
## Soft Yet Structured Upholstery:

Premium chenille fabric adds warmth and texture, softening the chair's structured form while maintaining a polished, high-end appearance.

## Durable Solid Wood Frame:

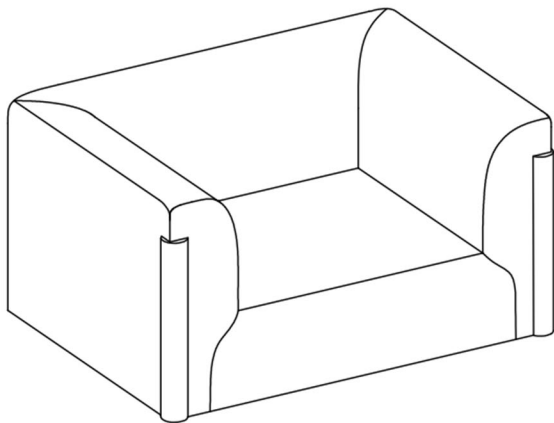
Built with a full solid wood internal frame and solid wood legs, the chair offers reliable structural support and long-lasting durability.

# EXPLODED VIEW



# PARTS

A\*1



Sofa

C\*2



Front legs

D\*2



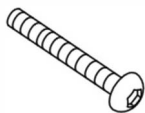
Rear legs

# HARDWARE

## TOOL LIST

NOTE: Designated with (★) We provide additional spare parts in the hardware package

①\*8



★ M8\*100mm  
Bolt

②\*1



Allen key

③\*2

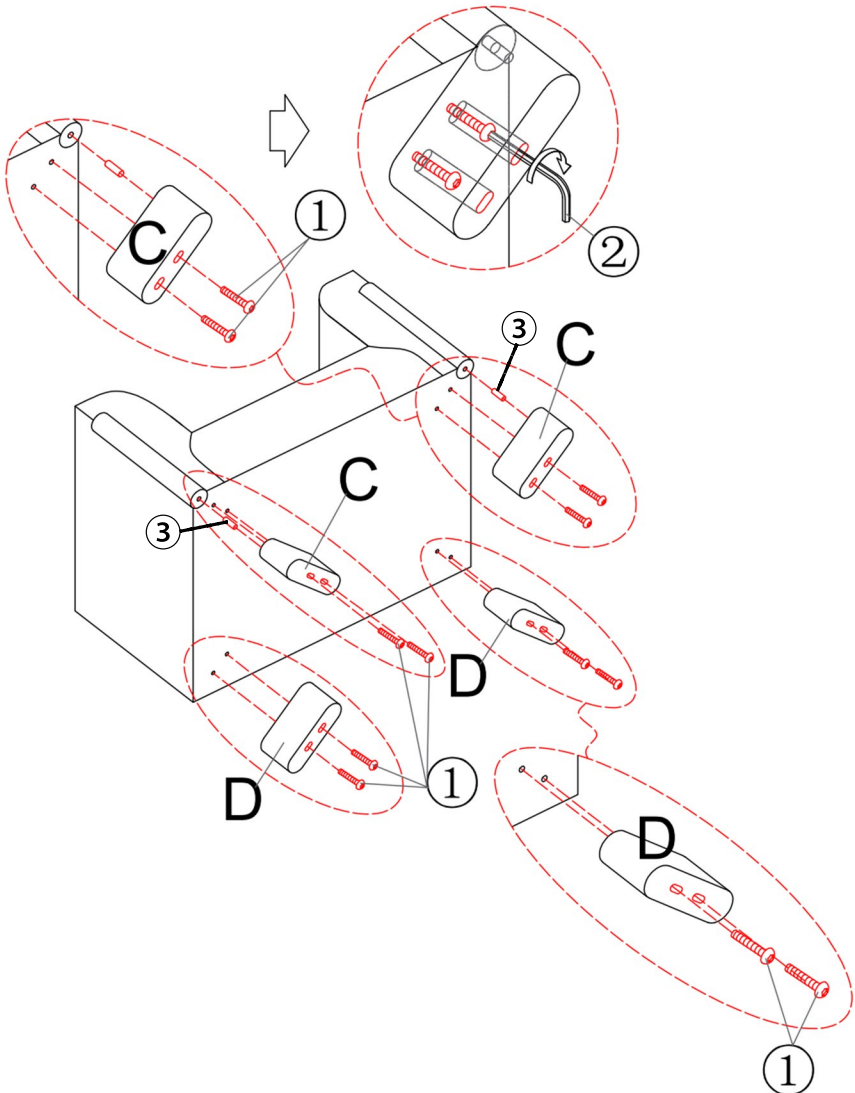


Wooden  
dowel

Please make sure all hardware & packing material fitting the list. Especially some small accessories may be missing during transportation. Please contact us if you have any question.

# step 1 ---Install the Front & Rear Legs (C&D)

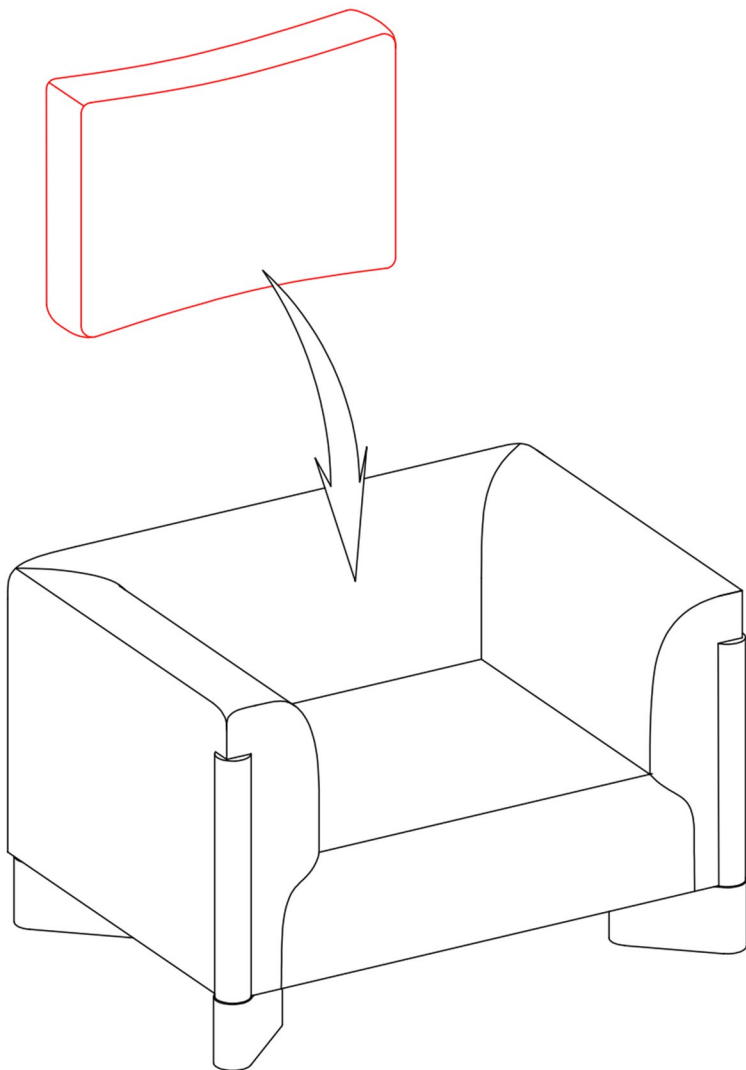
Insert the wood dowels (3) into the front legs (C). Position the front legs (C) onto the designated spots on the sofa frame, ensuring each dowel is inserted into the correct pre-drilled hole. Secure the rear legs (D) in place using the provided bolts (1) and Allen wrench (2).



## step 2 ---Place the back cushion (Gift)

The back cushion is gift.

Place the back cushion on it.



# step 3 ---Assemble complete

Congratulations! You have finished the assembly, thank you again for choosing our product! Please enjoy!

