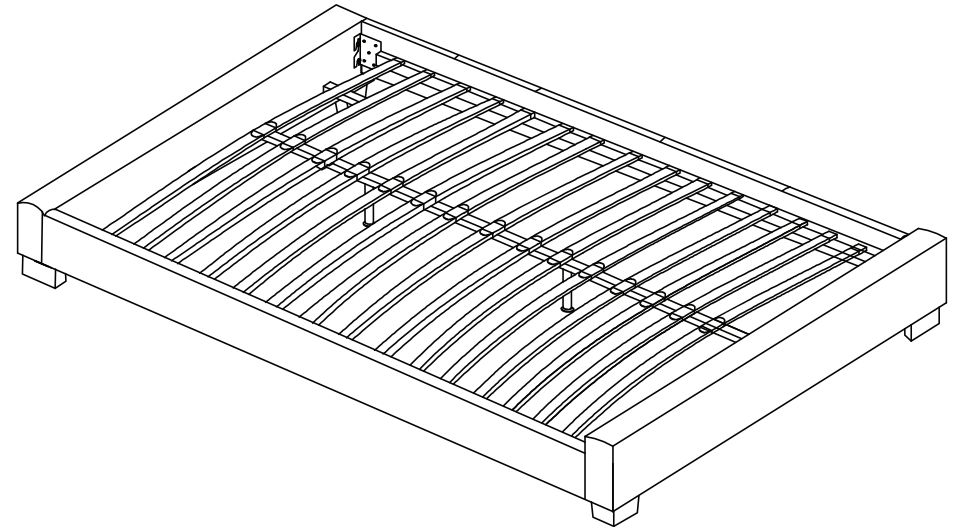


FULL HEAD BOARD



ADULT ASSEMBLY REQUIRED

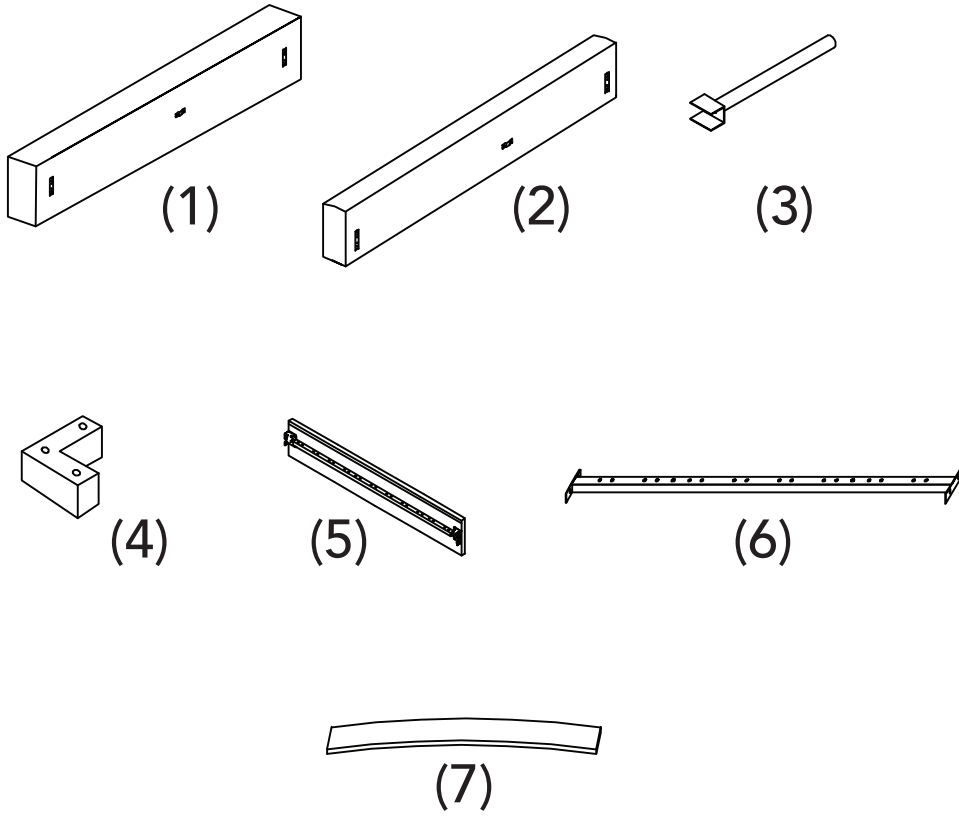
If you are missing any parts or have any questions regarding assembly, do not return this item to the retailers store. Please call our toll- free customer service number and have this assembly manual open to the parts list ready to provide the model name, and part name or number.



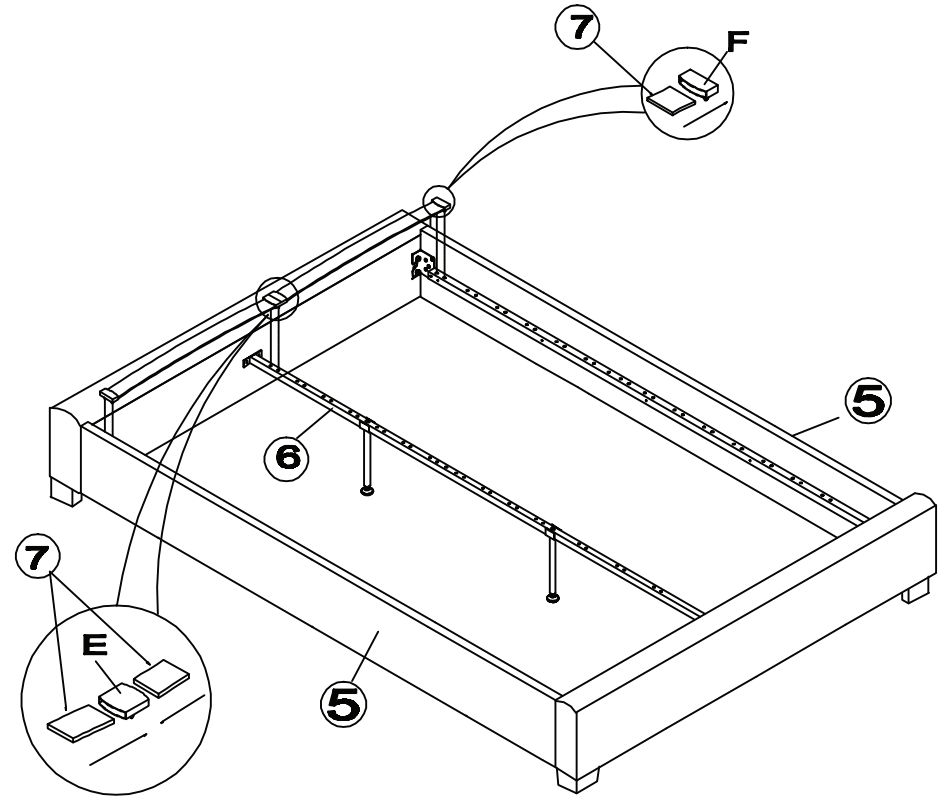
Customer Service

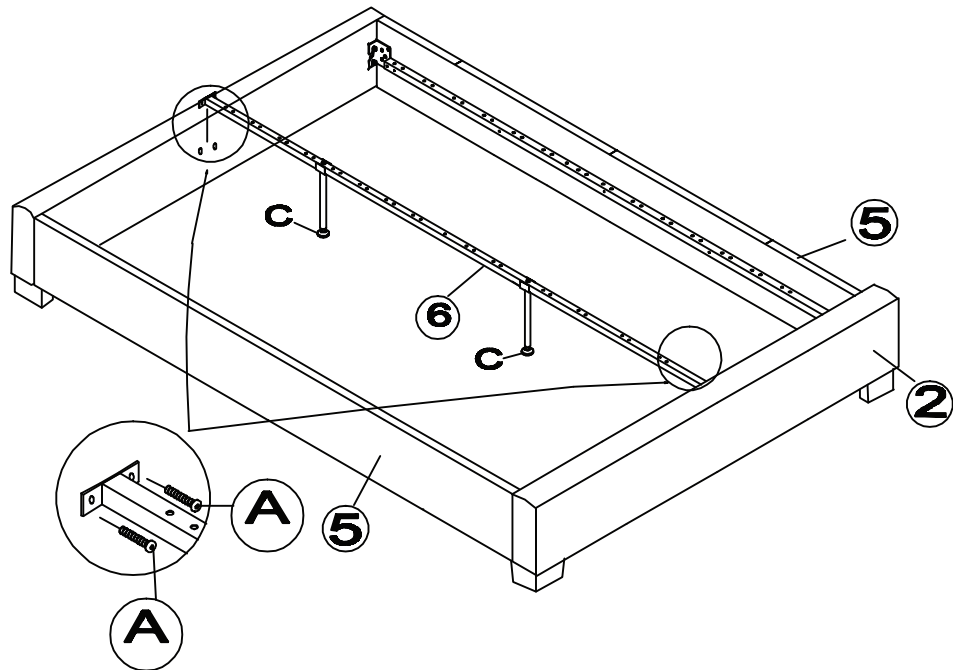
PARTS

6

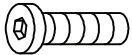
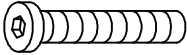






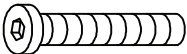



1	HEADBOARD	1 PC
2	FOOTBOARD	1 PC
3	CENTRE SUPPORT LEG	2 PCS
4	FEET	4 PCS
5	SIDE RAIL	2 PCS
6	CENTRE RAIL	1 PC
7	WOODEN SLAT	24 PCS



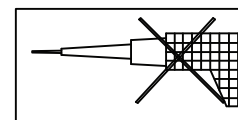


HARDWARE

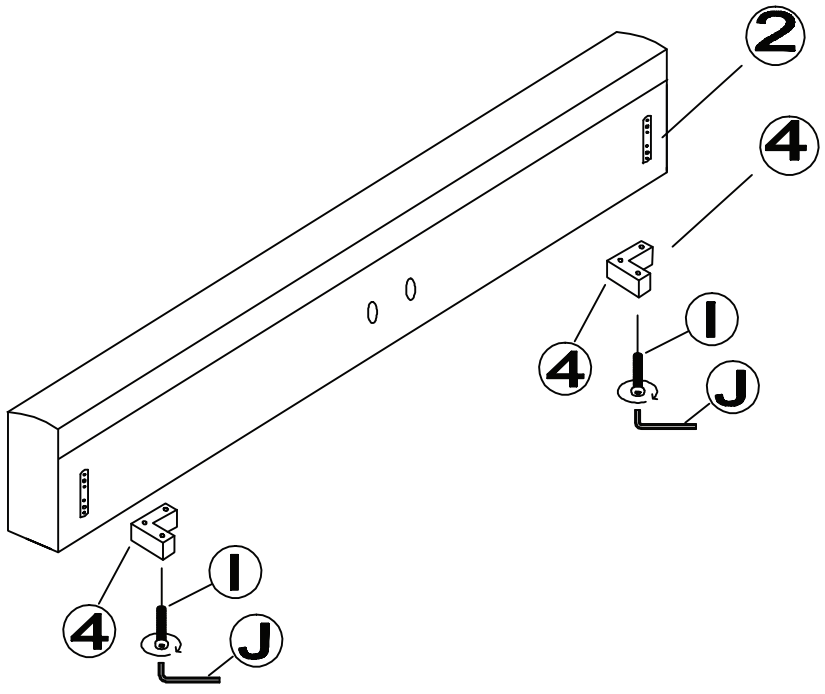
A		Ø5/16" X 30mm BOLT	12 PCS
B		Ø5/16" X 50mm BOLT	2 PCS
C		Ø5/16" X 25mm PLASTIC FOOT ADJUSTER	2 PCS
D		5mm ALLEN KEY	1 PC
E		CENTRE PLASTIC CONNECTOR	12 PCS
F		END CAP	24 PCS
G		Ø1/4" X 16mm WASHER	14 PCS
H		Ø1/4" SPRING WASHER	14 PCS
I		Ø1/4" X 50mm BOLT	8 PCS
J		4mm ALLEN KEY	1 PC

PLEASE CHECK THAT YOU HAVE ALL THE PARTS LISTED BEFORE YOU START ASSEMBLING. IF YOU DO FIND THAT SOMETHING IS MISSING, DO NOT CONTINUE ASSEMBLY. PLEASE CONTACT YOUR SUPPLIER IMMEDIATELY.

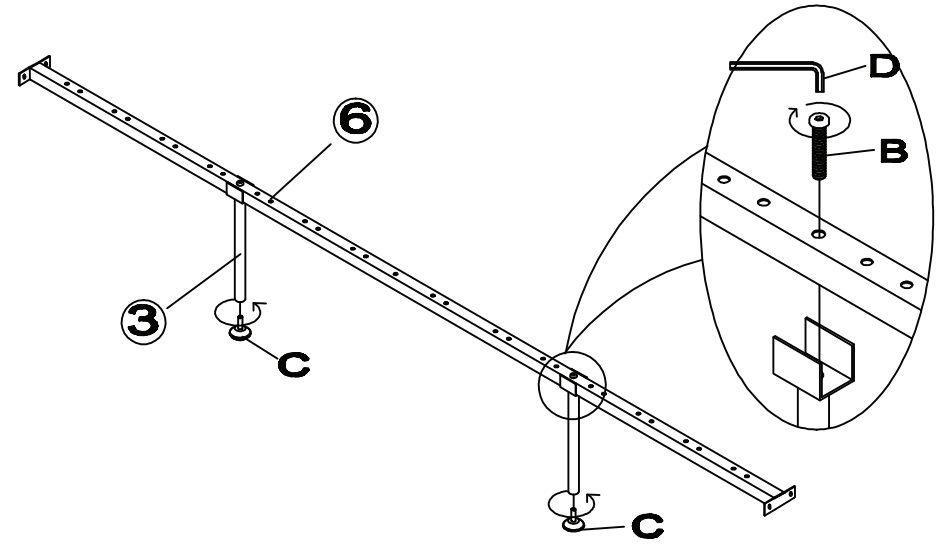
USE OF POWER TOOLS TO ASSEMBLE THIS PRODUCT WILL INVALIDATE ANY CLAIM AND MAY DAMAGE THIS PRODUCT MAKING IT UNSAFE.



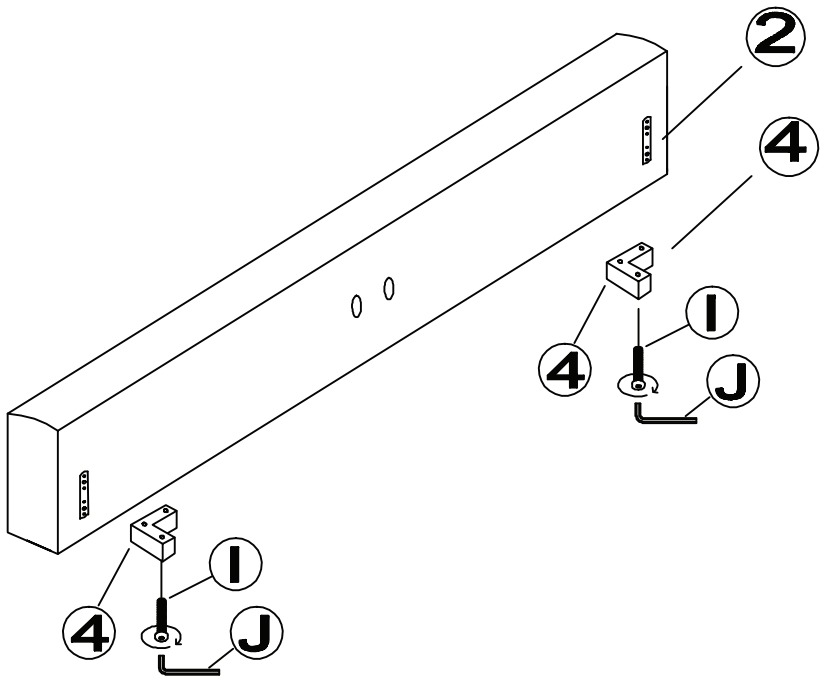
1



3



2



4

