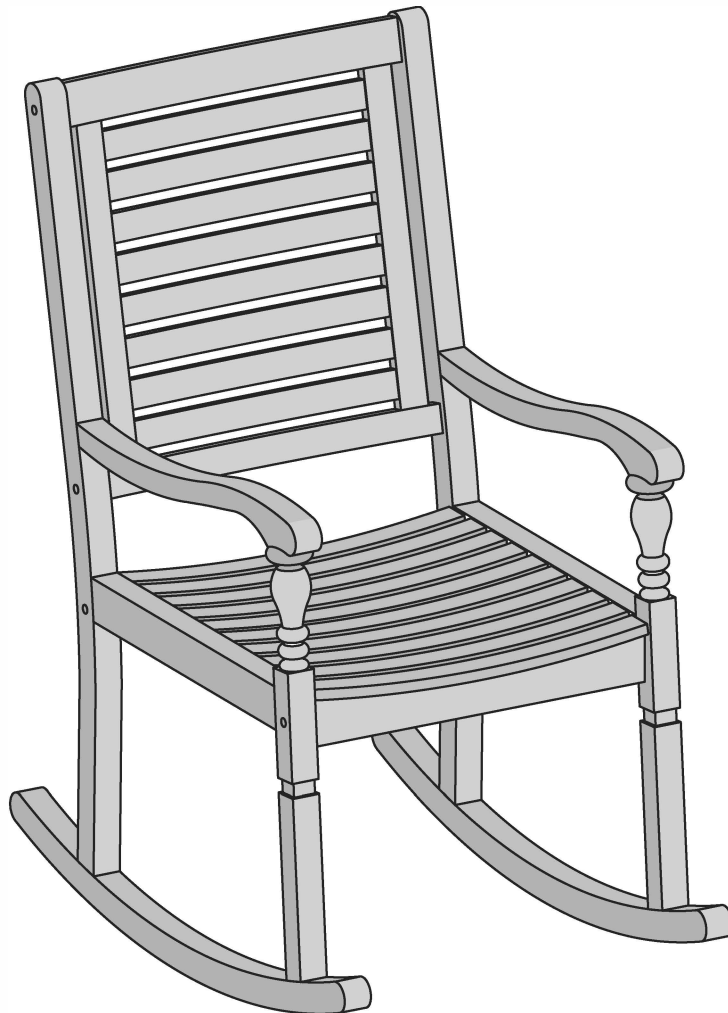
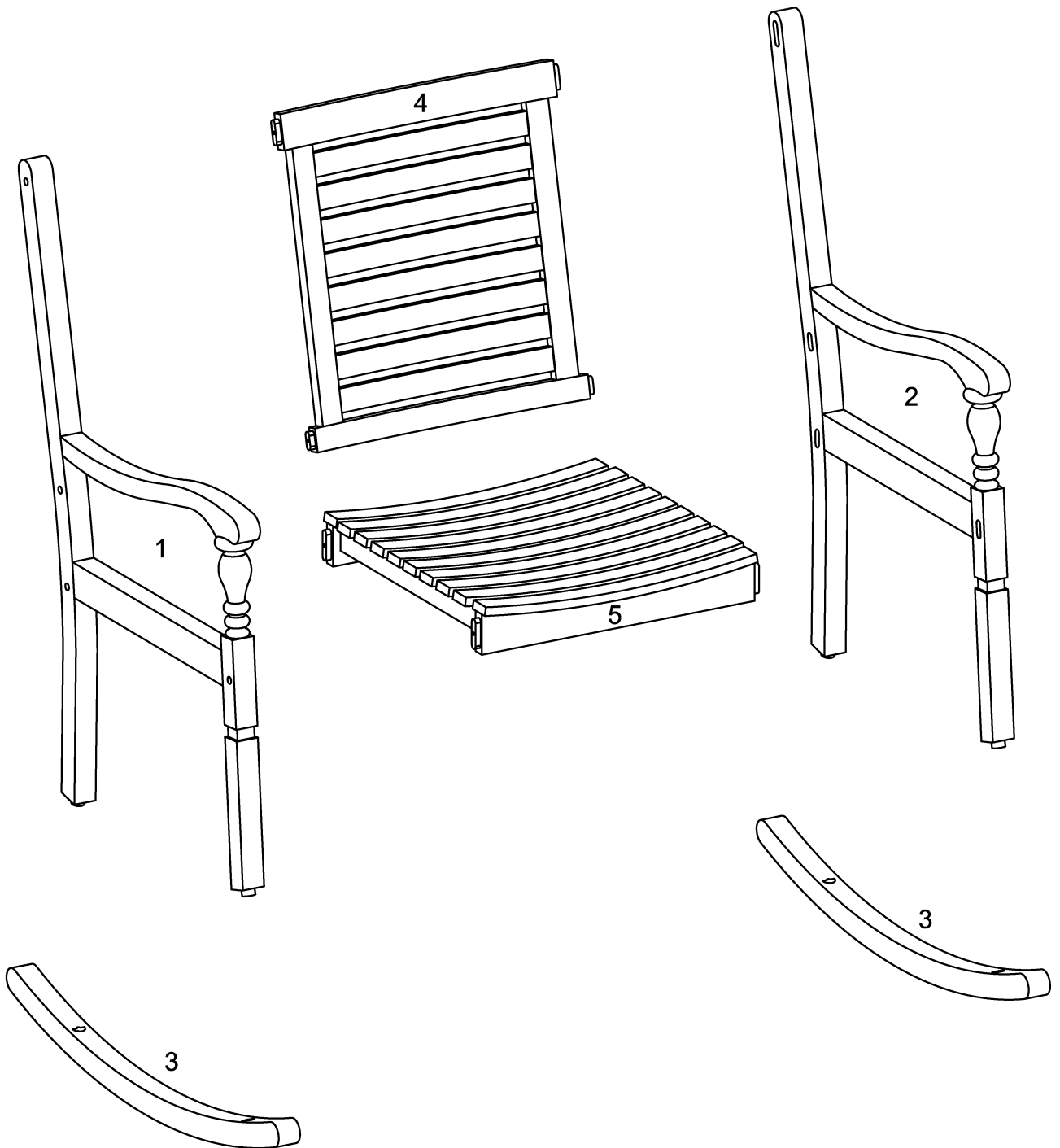


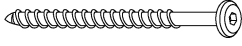

Assembly Instructions



Parts List

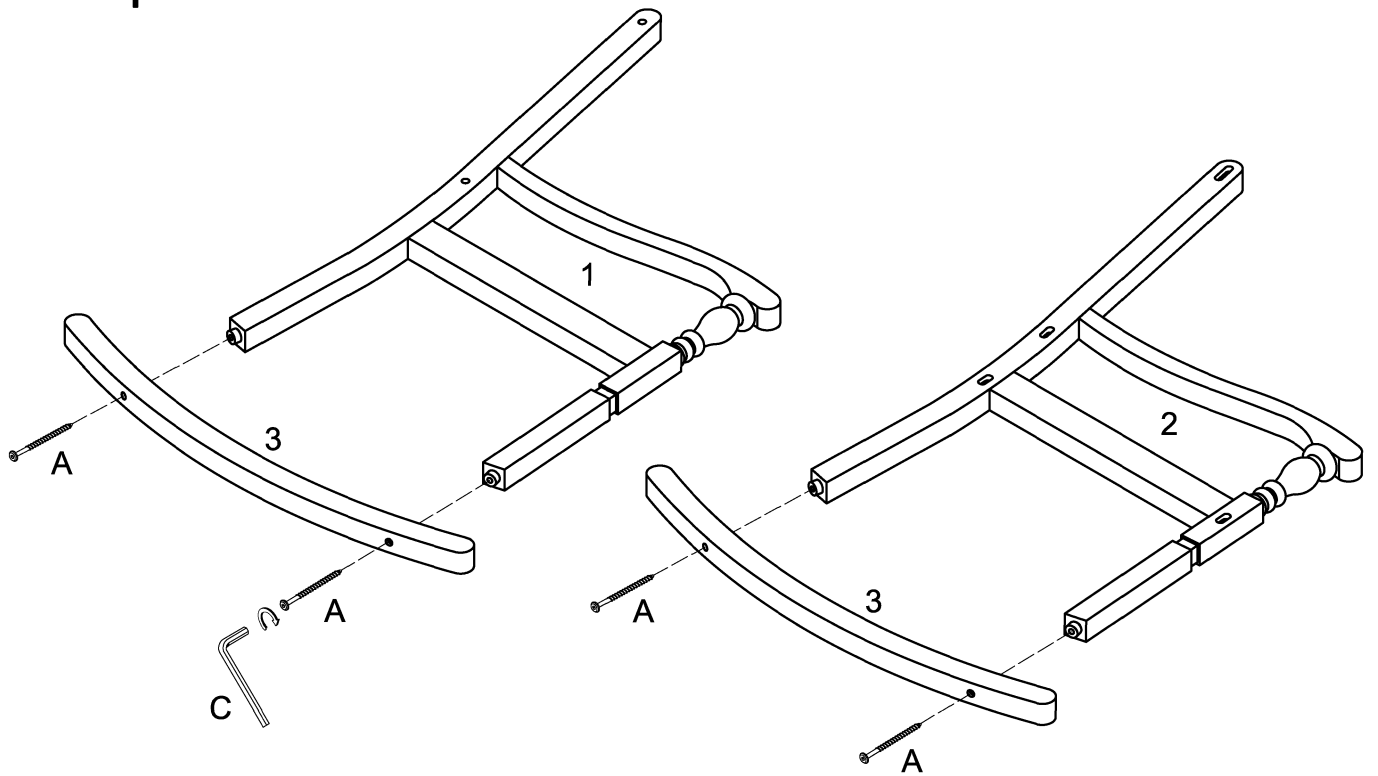


Hardware List

A		M7*90mm	Screw	8 pcs
B		M7*70mm	Screw	4 pcs
C		M4*55mm	Wrench	2 pcs

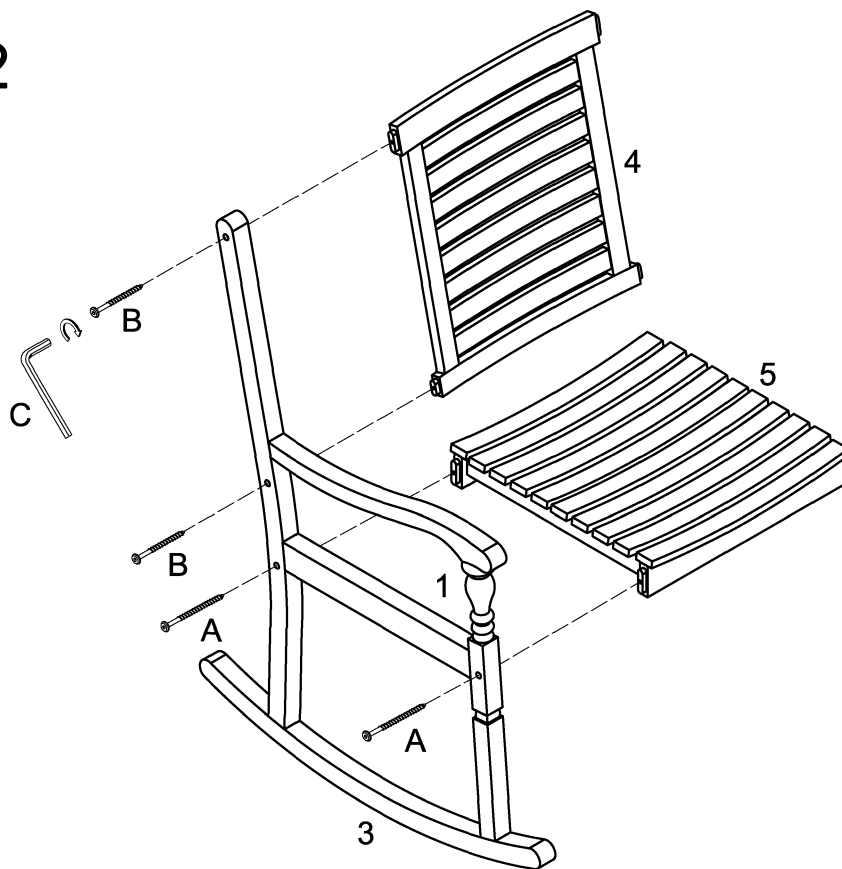
*The hardware quantities listed above are required for proper assembly.
Some extra hardware may also have been included.*

Step 1



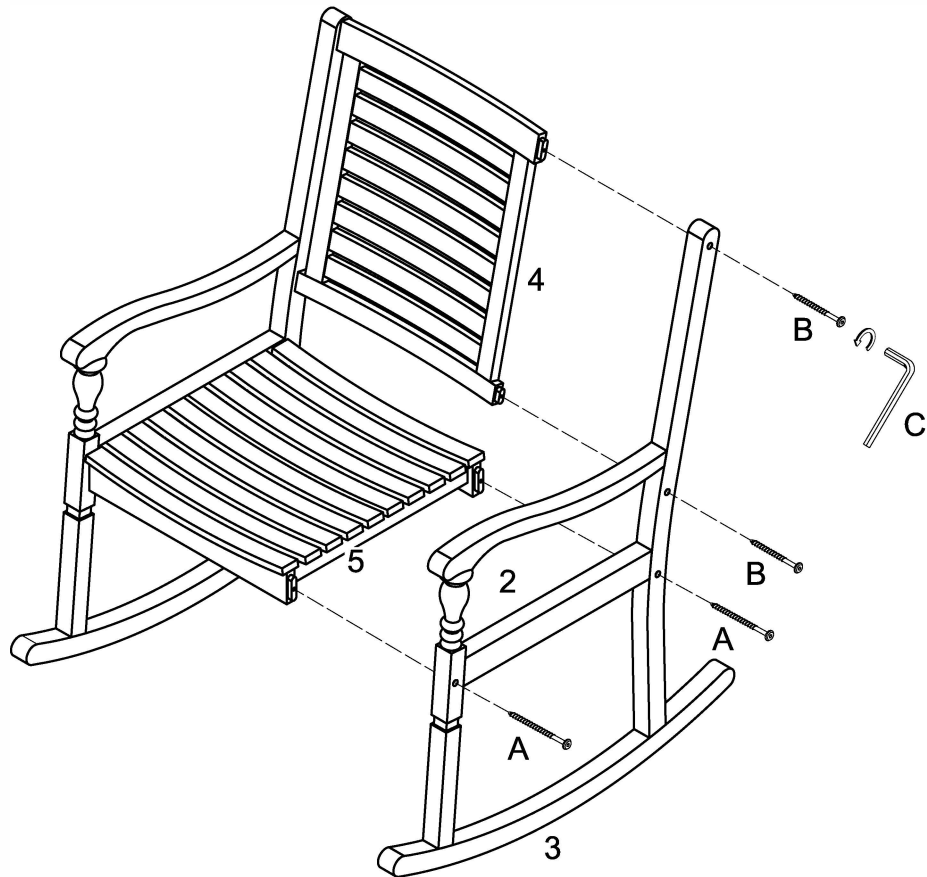
Attach the left leg (1) and right leg (2) to the rocking rail (3) using screws (A) and wrench (C).

Step 2



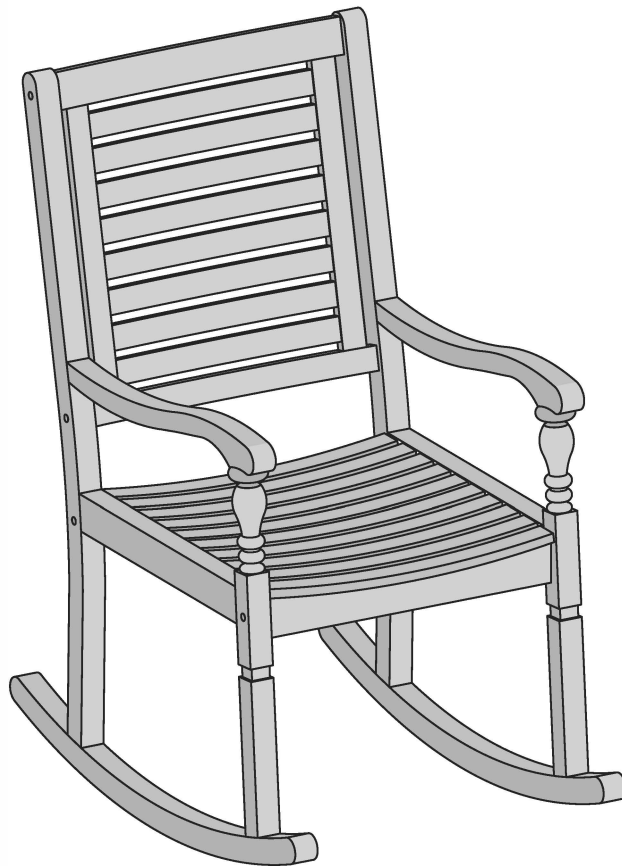
Attach the back (4) and seat (5) to the left frame (1 & 3) using screws (A & B) and wrench (C).

Step 3



Attach the right frame (2 & 3) to the back (4) and seat (5) using screws (A & B) and wrench (C).

Step 4



Final Assembly