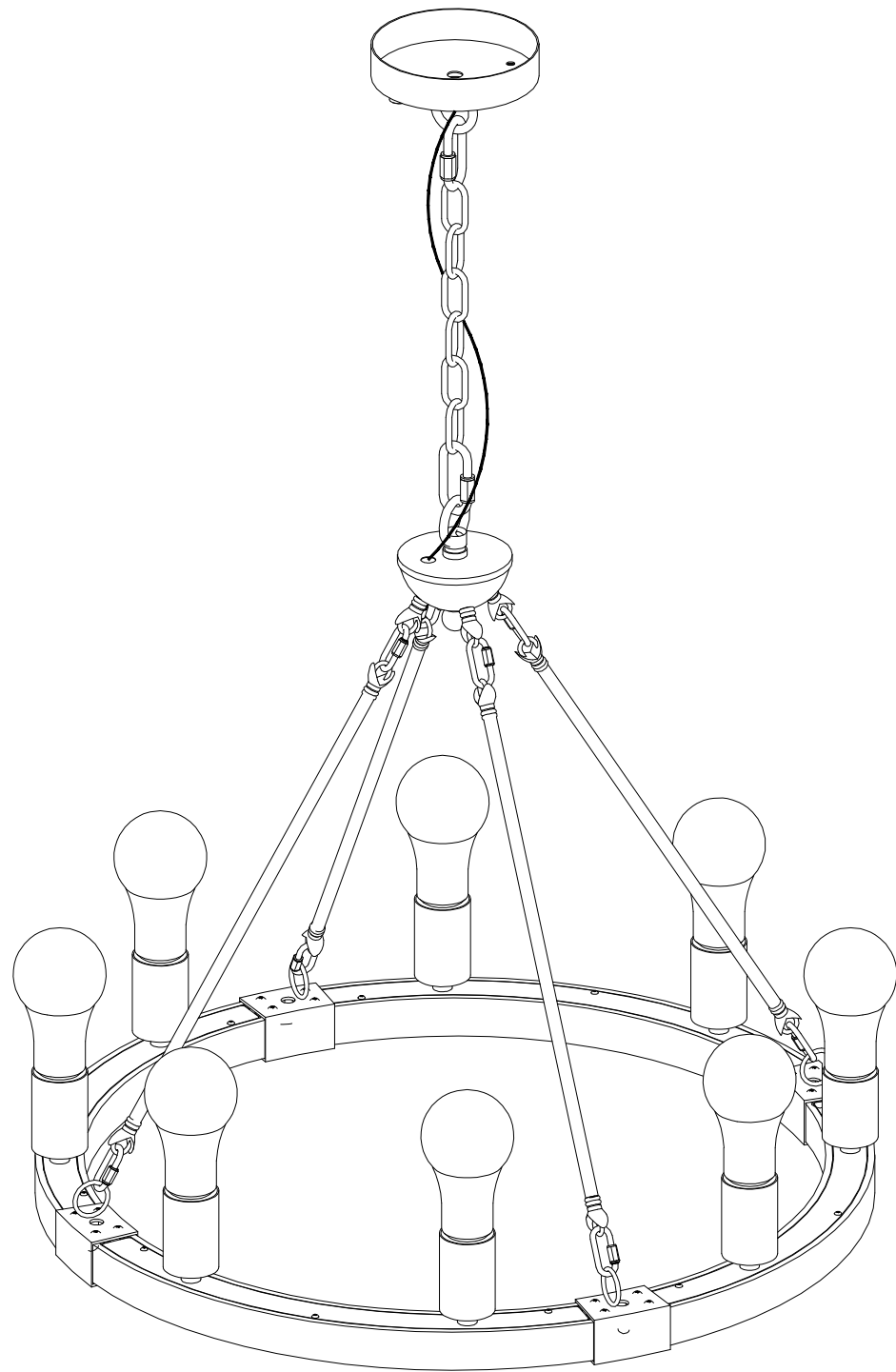


outline drawing:



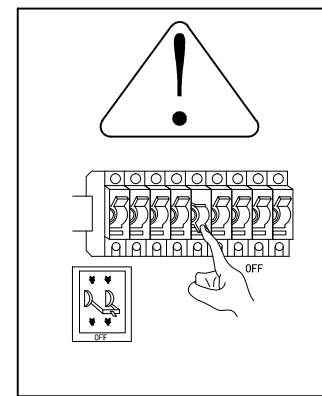
model:

Technical data: Power supply voltage 110-120V, bulb type E26Max40Wx8PCS (not included)

CAUTION



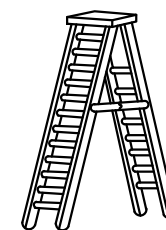
- Before installing the lighting fixtures, please check the insulation of the wires for any cuts, wear, or possible damage during transportation. If the wires are defective, do not attempt installation .
- In some countries, electrical installation work can only be carried out by authorized electrical contractors. Please contact the local power department for advice.



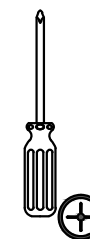
IMPORTANT Before starting the installation work, please make sure to cut off the power supply to the circuit.

IMPORTANT Keep children away from the installation process .

Required tools (not included):



Ladder

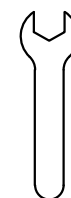


Phillips
screwdriver



pincers

Required tools (including):

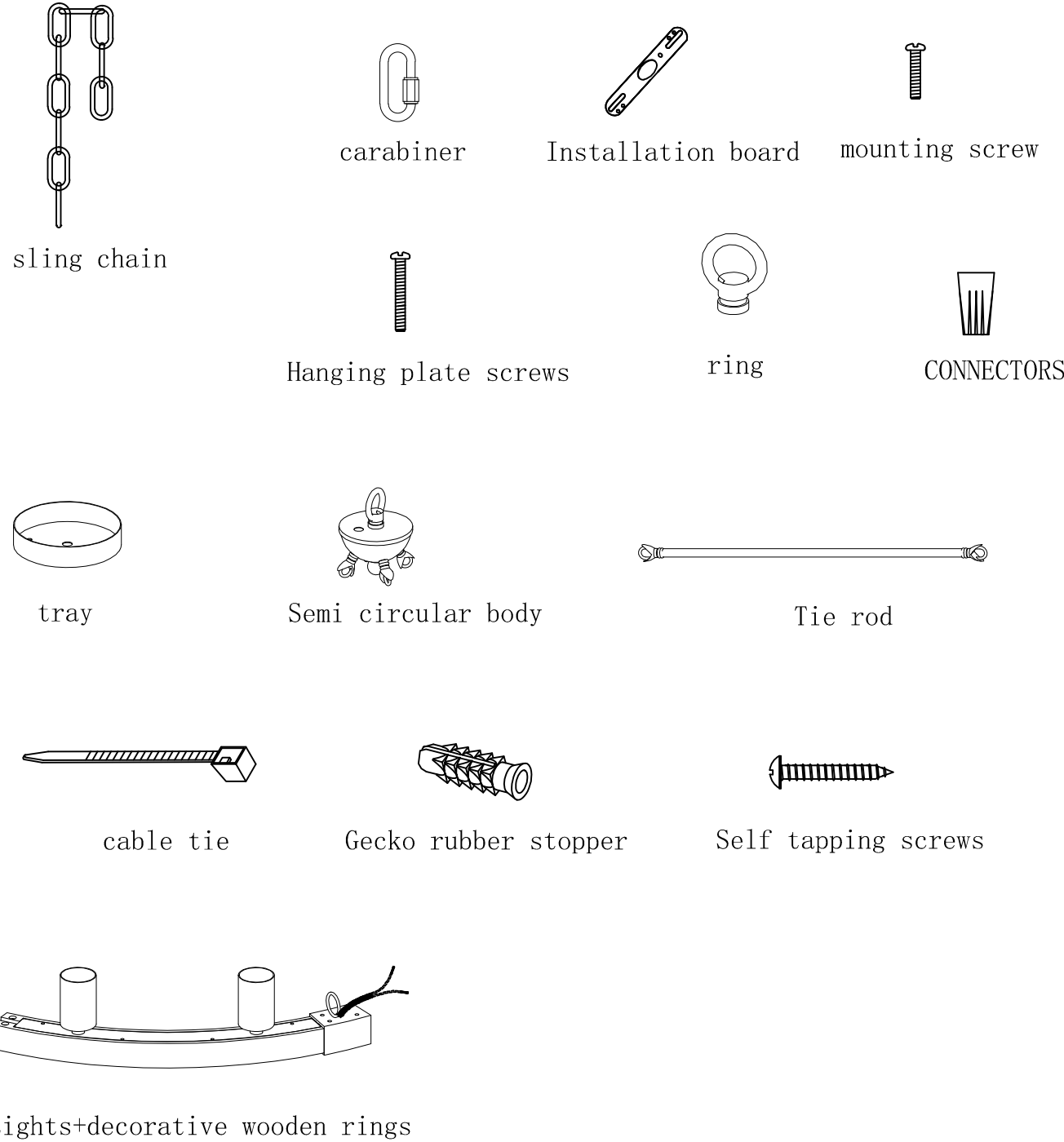


Hex
Wrench



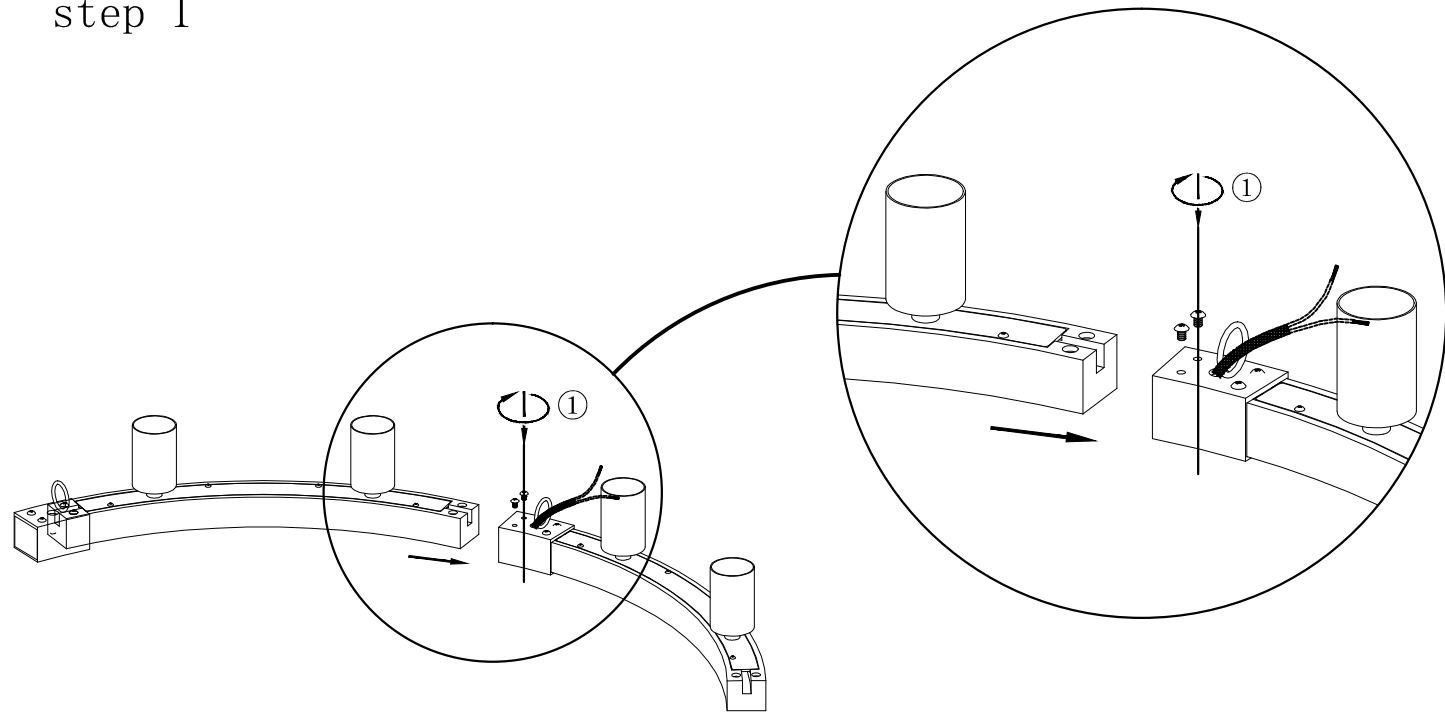
glove

The hardware kit provides:



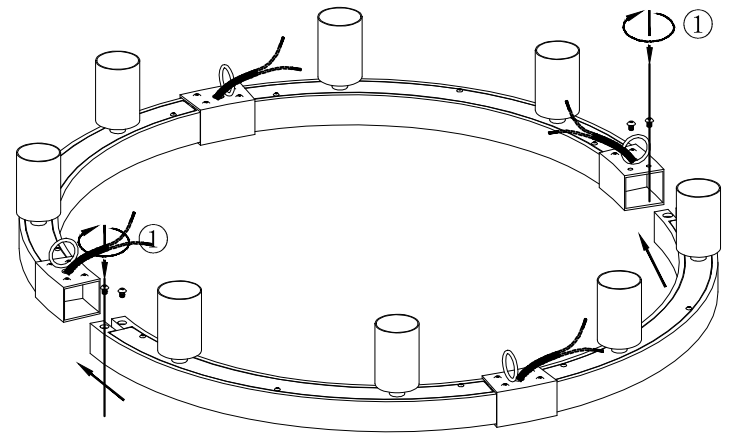
• The components displayed on each lamp may vary slightly

step 1



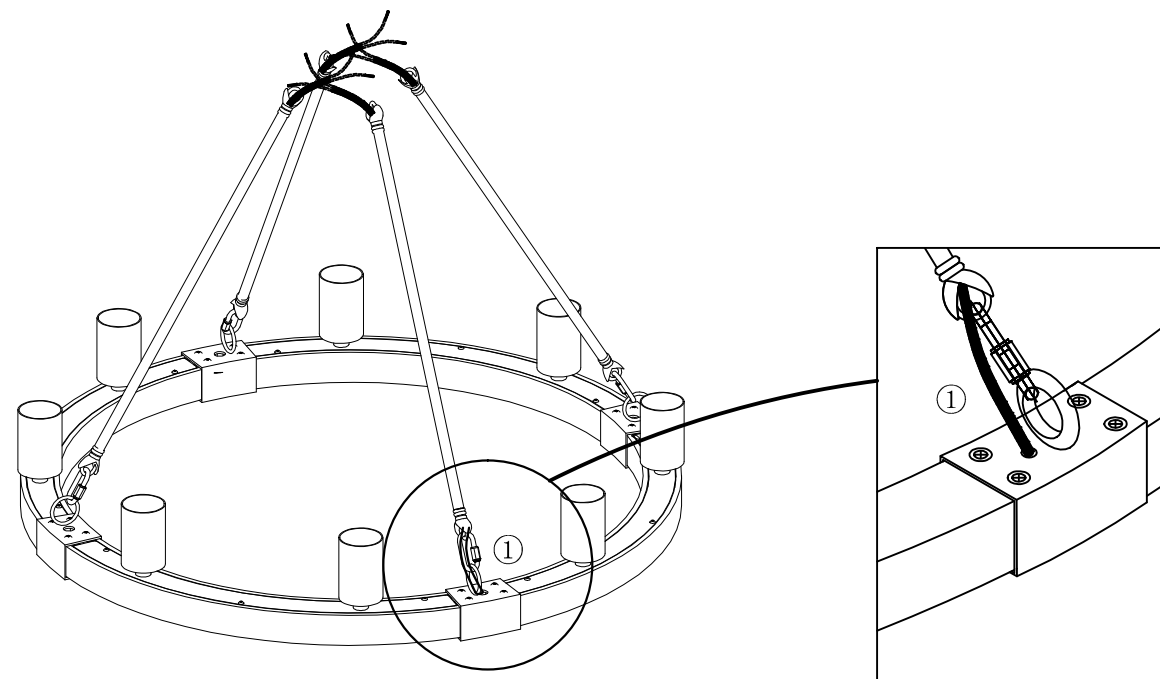
① Insert the decorative wood at the end without hardware components into another hardware component and secure it with screws.

Step 2



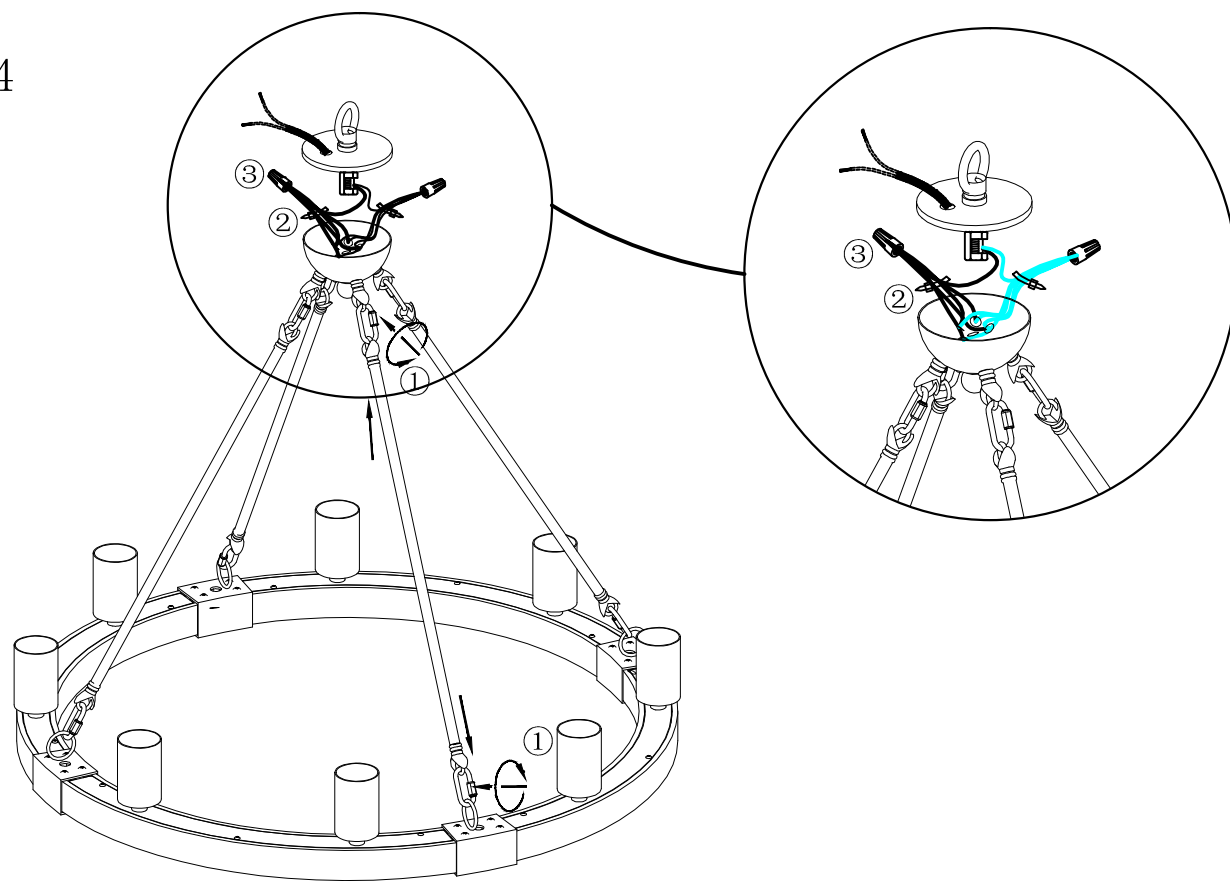
① This step refers to step 1 .

Step 3



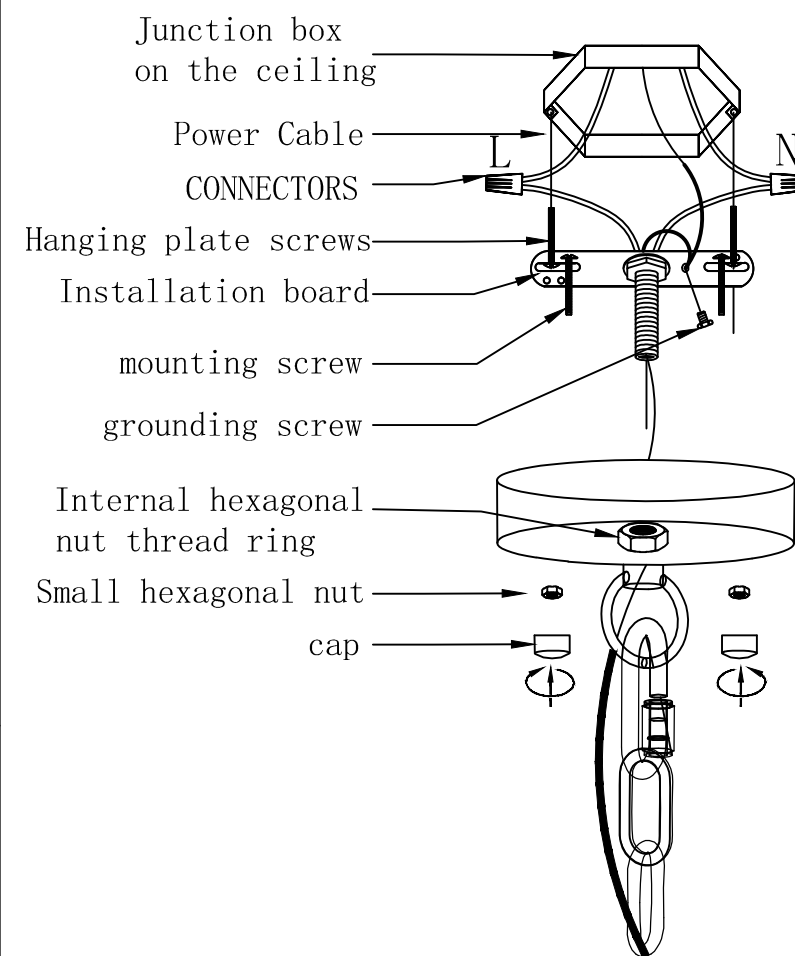
- ① Thread the power cable through the pull rod.

Step 4

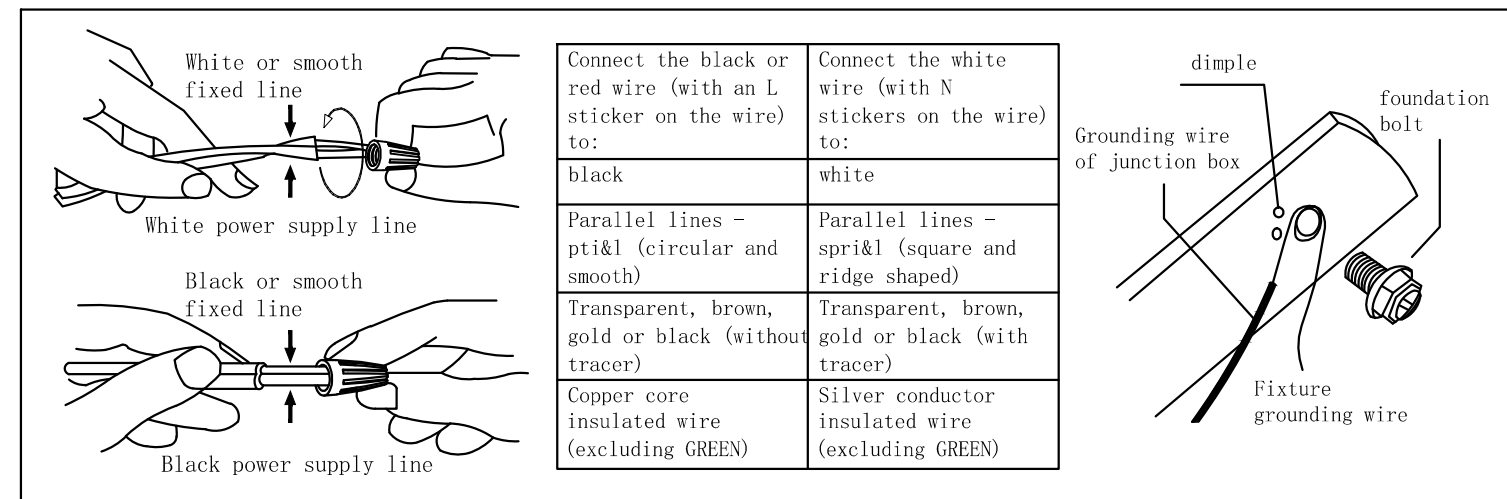


- ① Connect the vertical hook to the semi-circular body and lamp body, and thread the power cable into the semi-circular body.
- ② Use two zip ties to tie wires of the same color together.
- ③ Two cable connectors are used to connect wires of the same color, black to black and white to white.

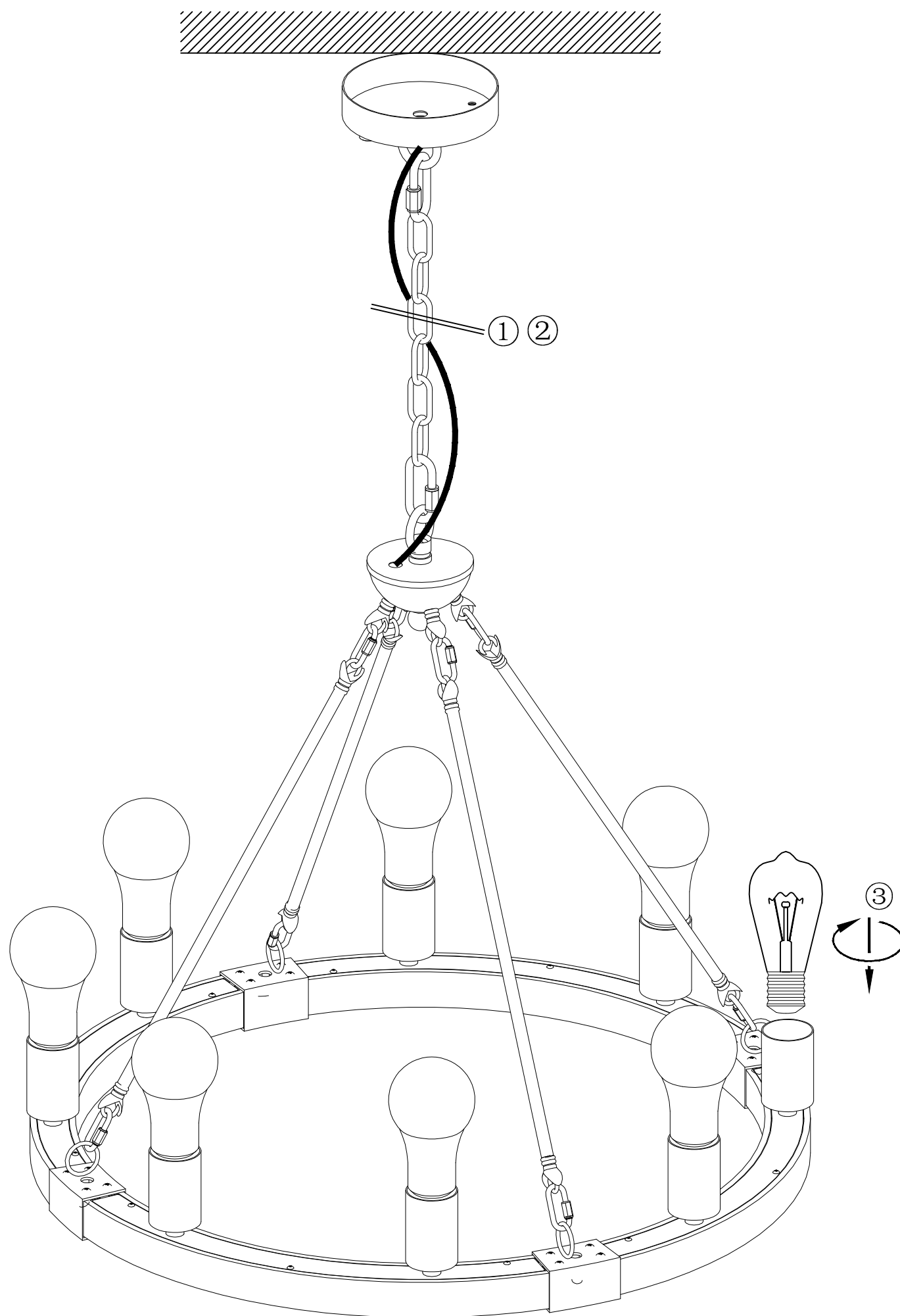
Step 5



- ① Thread all the wires through the canopy and installation kit.
- ② Connect the power cable with two cable connectors.
- ③ Connect the grounding wire and tighten it with the grounding screw.
- ④ Install the fixing screws into the mounting plate, install the installation unit under the junction box, and tighten with two mounting screws.
- ⑤ Fix the canopy in place using a suspension ring. Tighten the screw ring and hex nut with a wrench to tighten the hex nut.
- ⑥ Tighten the fixing screws on the rain shelter holes.
- ⑦ Tighten the cap tightly.



Step 6



①② This depends on the height of your ceiling and the desired suspension length. You can measure the chain and adjust the locking buckle to achieve the desired chain length.

③ Tighten the light bulb (E26 maximum 40W, not included).