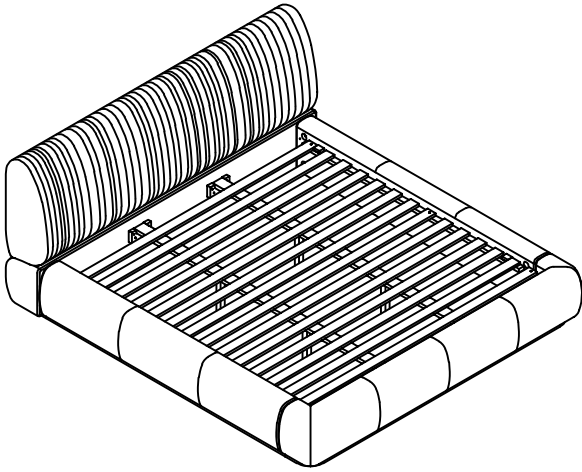






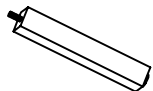






ASSEMBLY INSTRUCTION

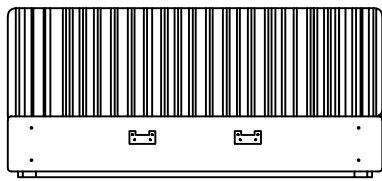
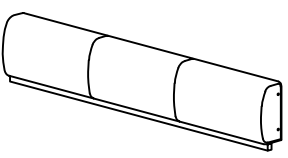
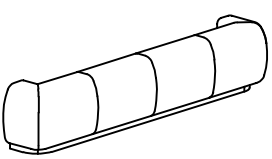
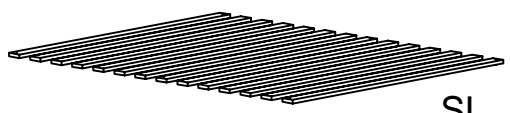

Ronaldo King Bed



HARDWARE LIST

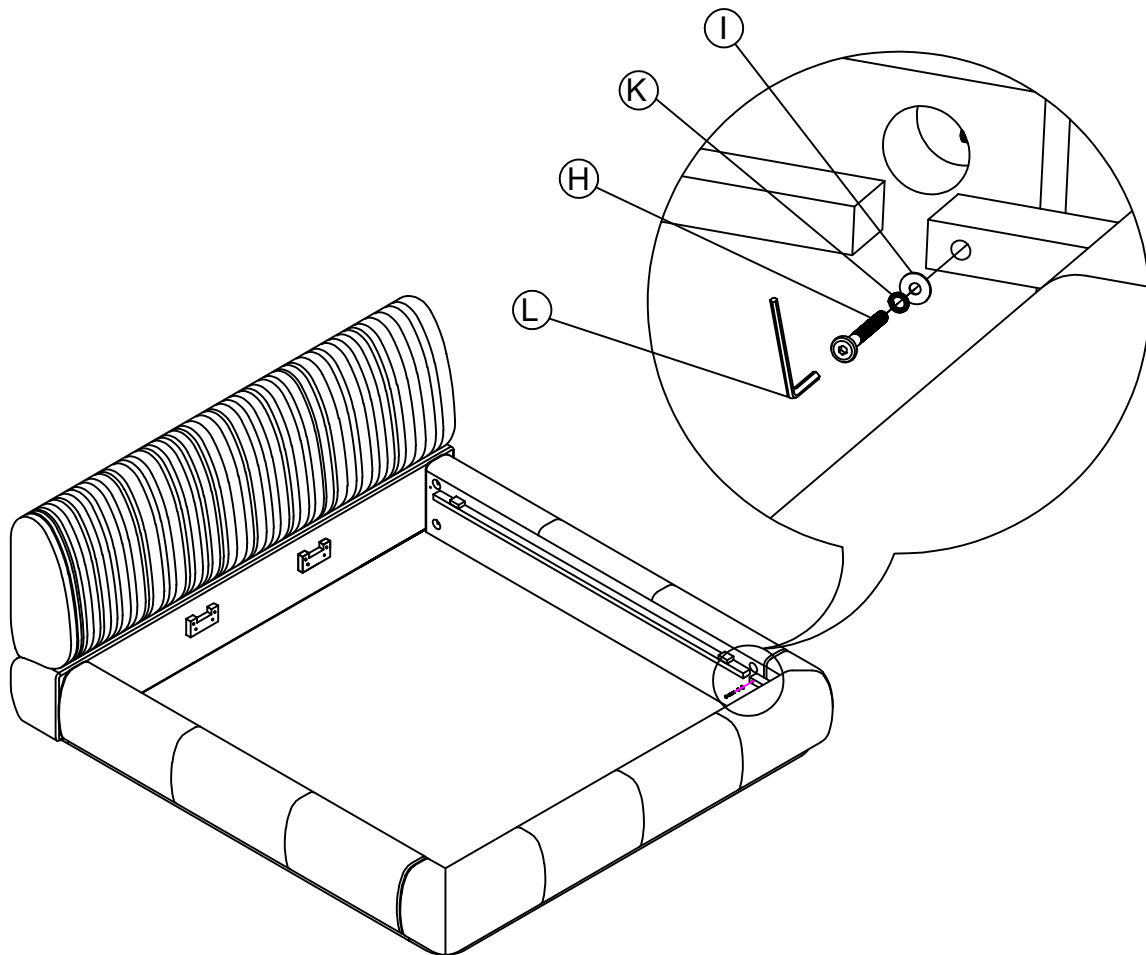
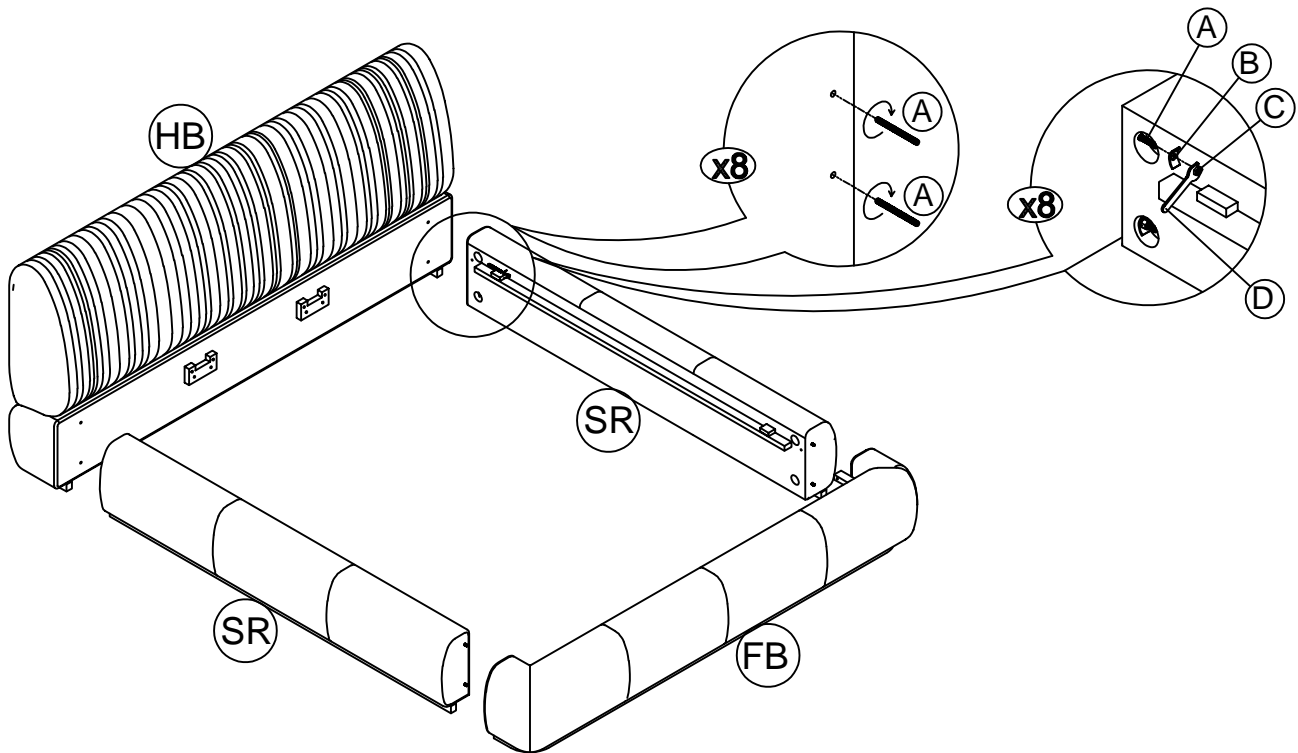
A		BOLT Ø8 x100mm	8
B		HEXAGON NUT Ø8 x 13mm	8
C		ACR WASHER 15 x30mm	8
D		WRENCH	1
E		WOOD SCREW Ø4 x25mm	6
F		SIDE COVER	8
G		CENTER LEGS	4
H		Bolt 1/4"x50mm	4
I		Flat Washers	4
K		Spring Washers	4
L		Allan key K4	1

PART LIST

	HB	1
	SR	2
	FB	1
	SL	1 SET
	M	2

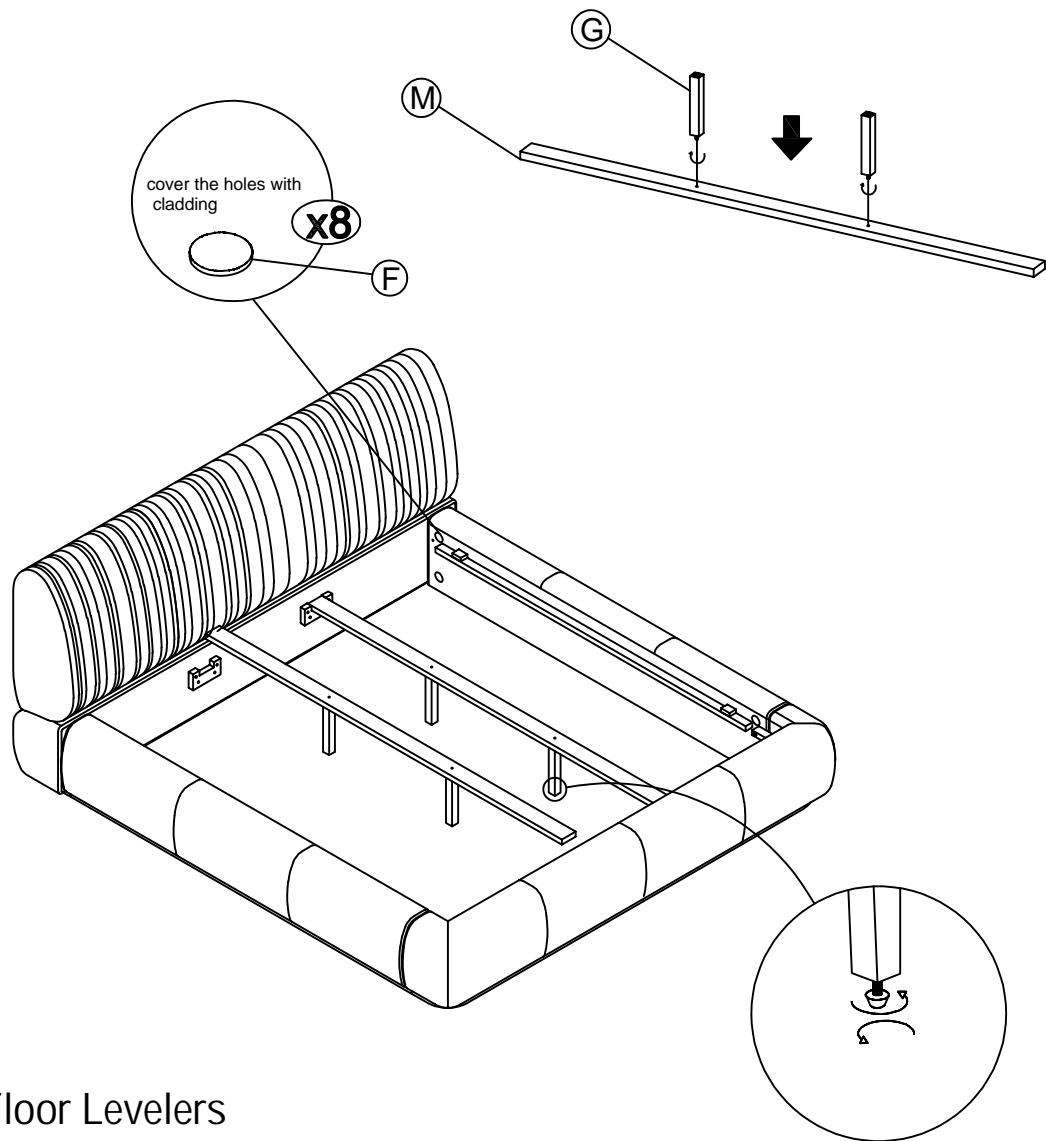
ASSEMBLY INSTRUCTION

Ronaldo King Bed



ASSEMBLY INSTRUCTION

Ronaldo King Bed



Adjusting Floor Levelers

Your furniture has been expertly crafted and pre-adjusted by professionals. However, slight shifts can occur during transportation. If you notice that the doors are not perfectly aligned or the furniture wobbles, a quick adjustment can help ensure stability and a seamless look.

Adjust the Floor Levelers

Check for Stability - Place the furniture in its final position on a level surface. If it wobbles or doesn't sit evenly, the floor levelers need adjusting.

Locate the Levelers - These are small adjustable feet found at the bottom corners of your furniture.

Adjust as Needed - Using your hand or a wrench, turn the levelers clockwise to raise or counterclockwise to lower the furniture. Make small adjustments and check stability after each turn.

ASSEMBLY INSTRUCTION

Ronaldo King Bed

