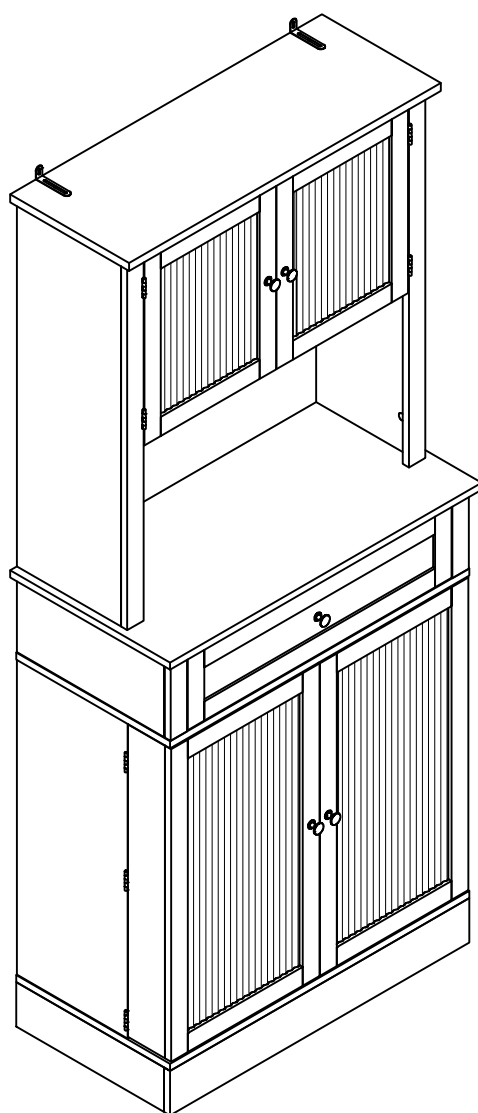


User Manual



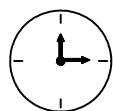
Please feel free to contact us if you need help.
We are always online 24h a day.

☐ service_April@163.com

■ +1 7402568754

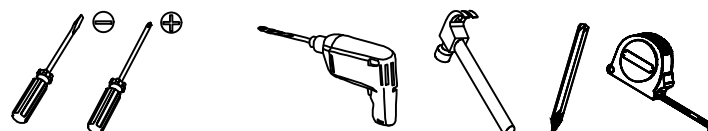


2 PERS



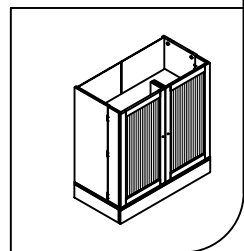
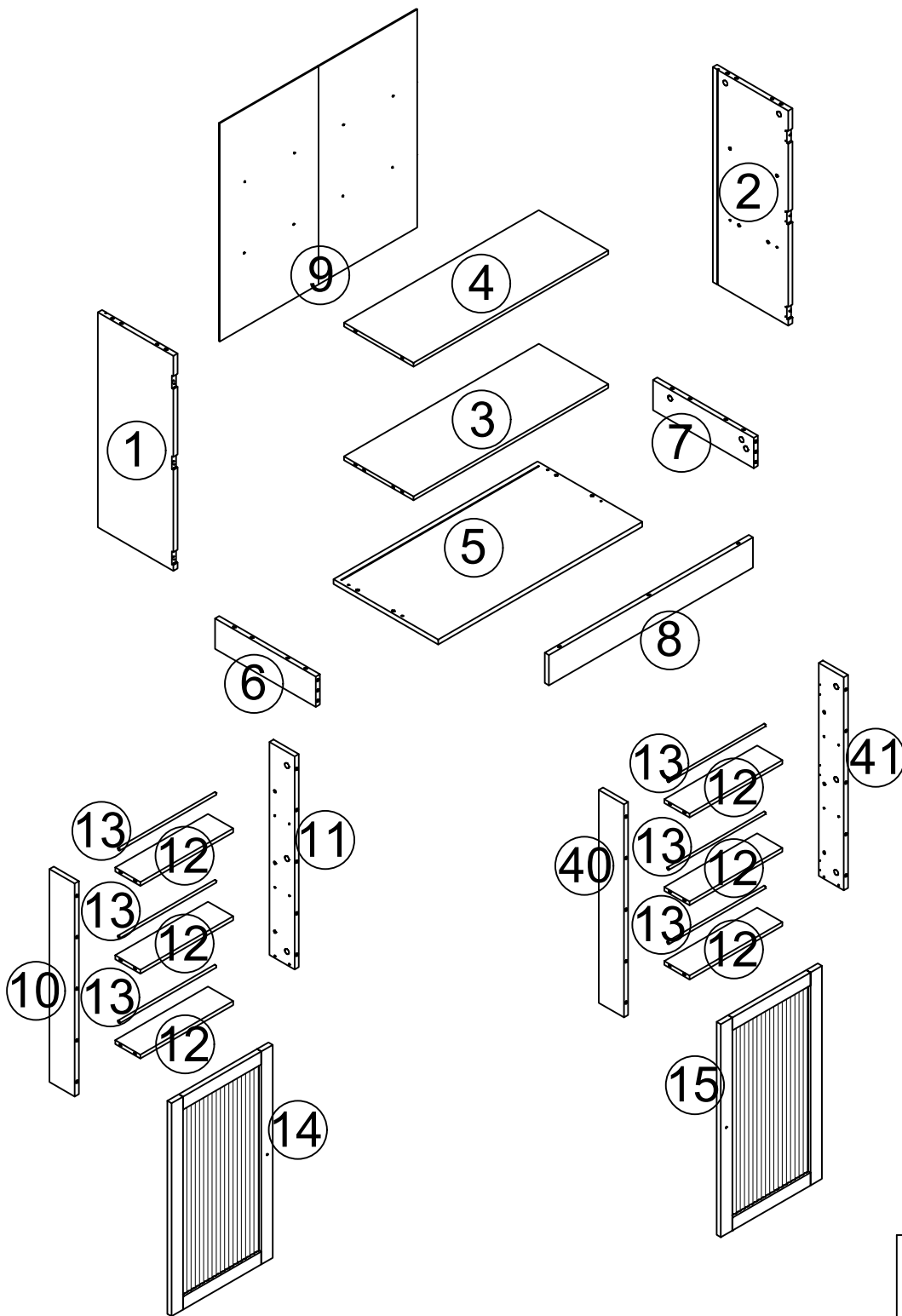
60 MIN

Tool Required Not Provided



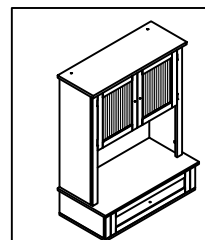
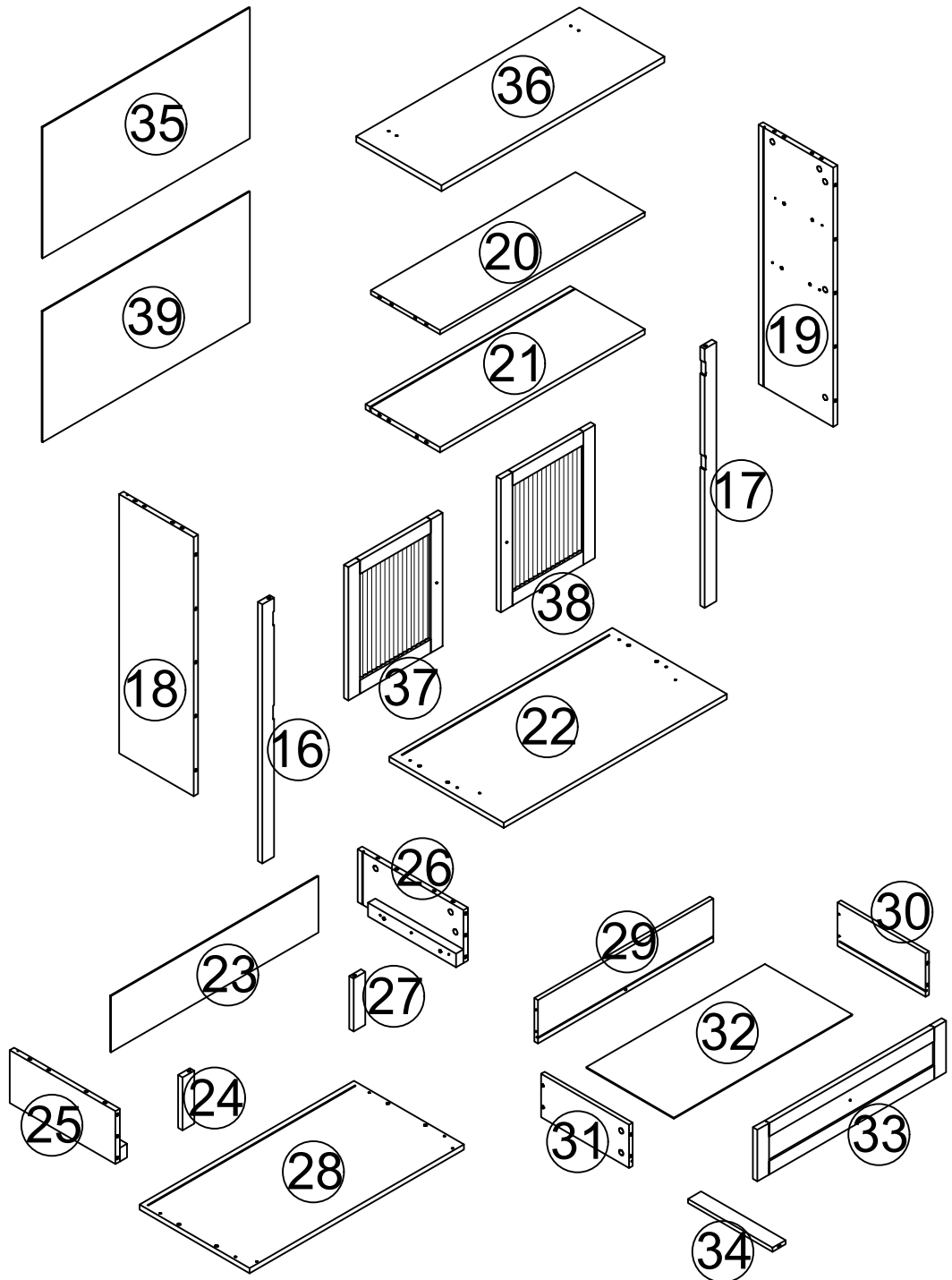
Assembling Instruction






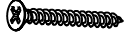
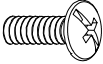















All accessories and installation tools are included



Assembling Instruction

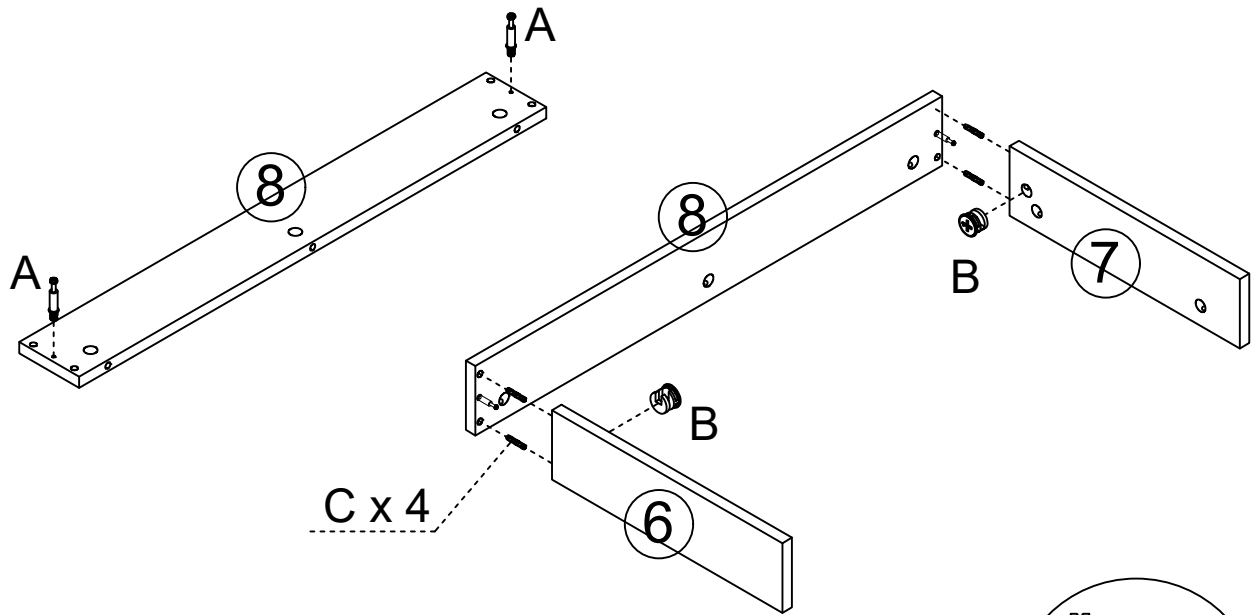
All accessories and installation tools are included






A	x86(+3)	B	x86(+3)	C	x64(+3)	D	x4	E	x52(+5)	F	x17(+2)
											
Ø6x35mm		Ø15x10mm		Ø6x30mm				Ø3.5x14mm		Ø4x35mm	
G	x1	H	x4	I	x2	J	x34(+3)	K	x10	L	x6
											
Ø4x10mm		Ø4x16mm				Ø3x14mm				Ø4x55mm	
M	x2	N	x18(+2)	O	x4	P	x5	Q	x8	R	x8
											
				Ø4x20mm						Ø3x14mm	
CL	x1	CR	x1	DL	x1	DR	x1				
											
L300mm		L300mm		L300mm		L300mm					

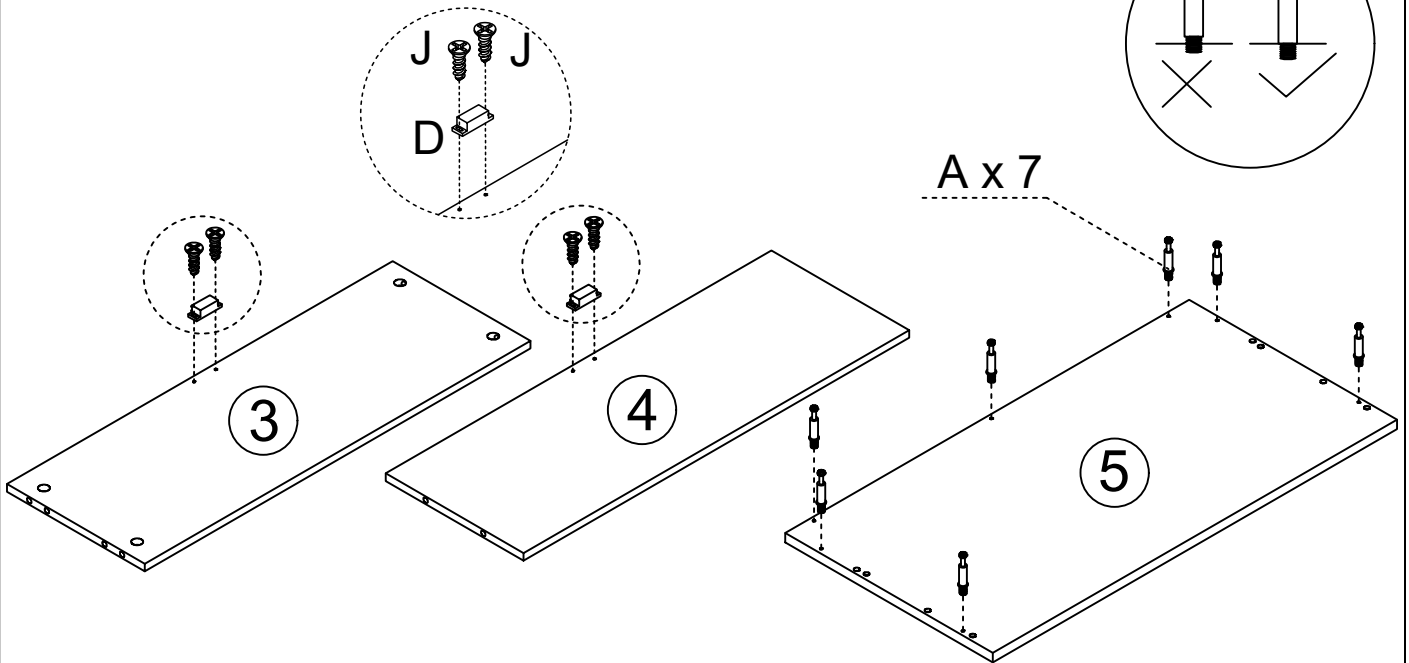
We suggest that you use the assembly video and the manual together to speed up your installation. You can access the assembly video on the product webpage or contact us directly to obtain it. Please feel free to contact us at service_april@163.com.




- 1** First, please tighten the 2 screws A onto board #8 and make sure they are screwed in completely.. Then, align screw A with the side hole of board #6 (or #7) and insert it. Insert bolt B into the hole of board #6 (or #7) (note: The arrow on the surface of bolt B should point to screw A) and finally tighten it .



A	x2	B	x2	C	x4
					
Ø6x35mm		Ø15x10mm		Ø6x30mm	

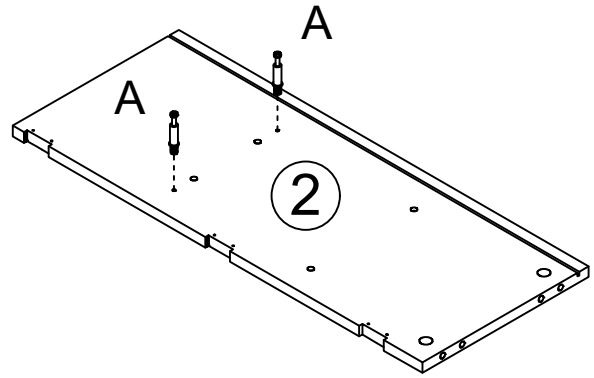
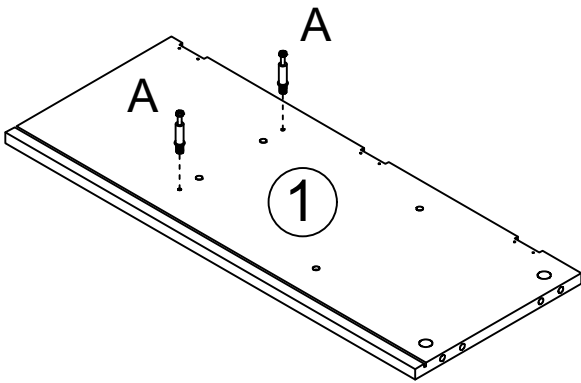
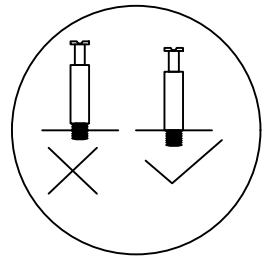
- 2** Use 2 screws J to install part D on board #3#4, and then install 7 screws A on board #5 at the positions shown in the diagram.




A	x7	D	x2	J	x4
					
Ø6x35mm				Ø3x14mm	

3

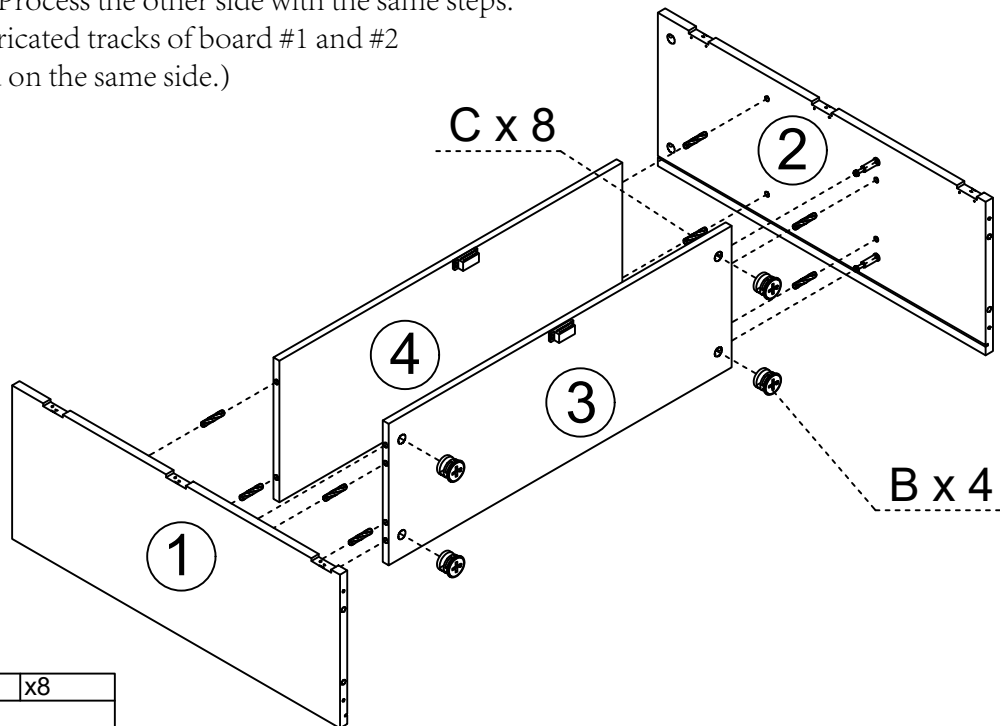
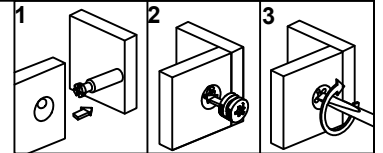
Screw the 2 screws A into boards #1 and #2 respectively as shown in the diagram.





A	x4
	
$\text{Ø}6 \times 35 \text{mm}$	

4

Connect board #2 and board #4 using 2 wooden plugs C. Then, insert the pre-installed screw A and the 2 wooden plugs C on board #2 simultaneously into the side holes of board #3, and then place the two bolts B on board #3 and tighten them. Process the other side with the same steps.
 (Note: The prefabricated tracks of board #1 and #2 should be installed on the same side.)



B	x4
	
$\text{Ø}15 \times 10 \text{mm}$	

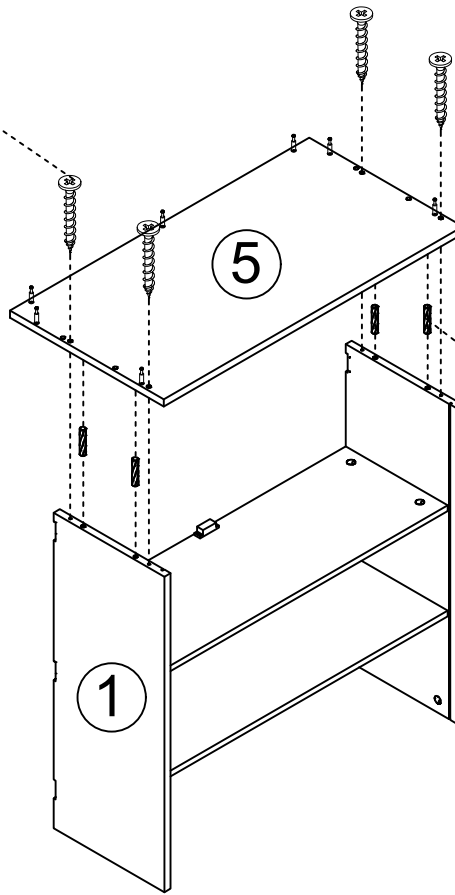
C	x8
	
$\text{Ø}6 \times 30 \text{mm}$	



5

F x 4

C x 4

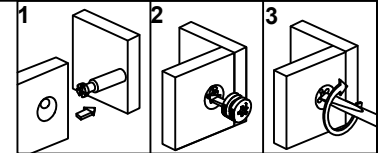
Connect boards #1 and #2 respectively with 4 wooden plugs C, and then tighten and fix them with 4 screws F.



C	x4	F	x4
			
Ø6x30mm		Ø4x35mm	

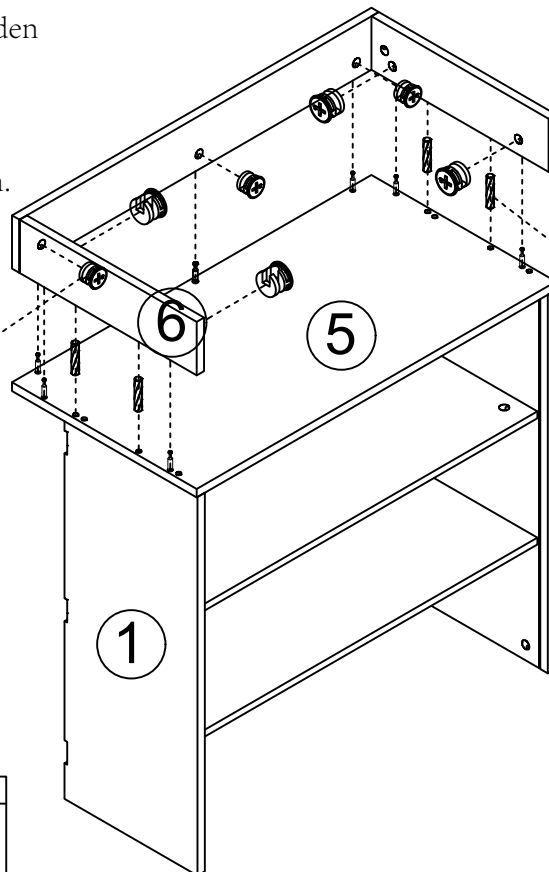
6



Connect board #5 with boards #6, #8 and #7 using 4 wooden plugs C and 7 screws A pre-installed on board #5, and then insert 7 bolts B in sequence and tighten them.



B x 7

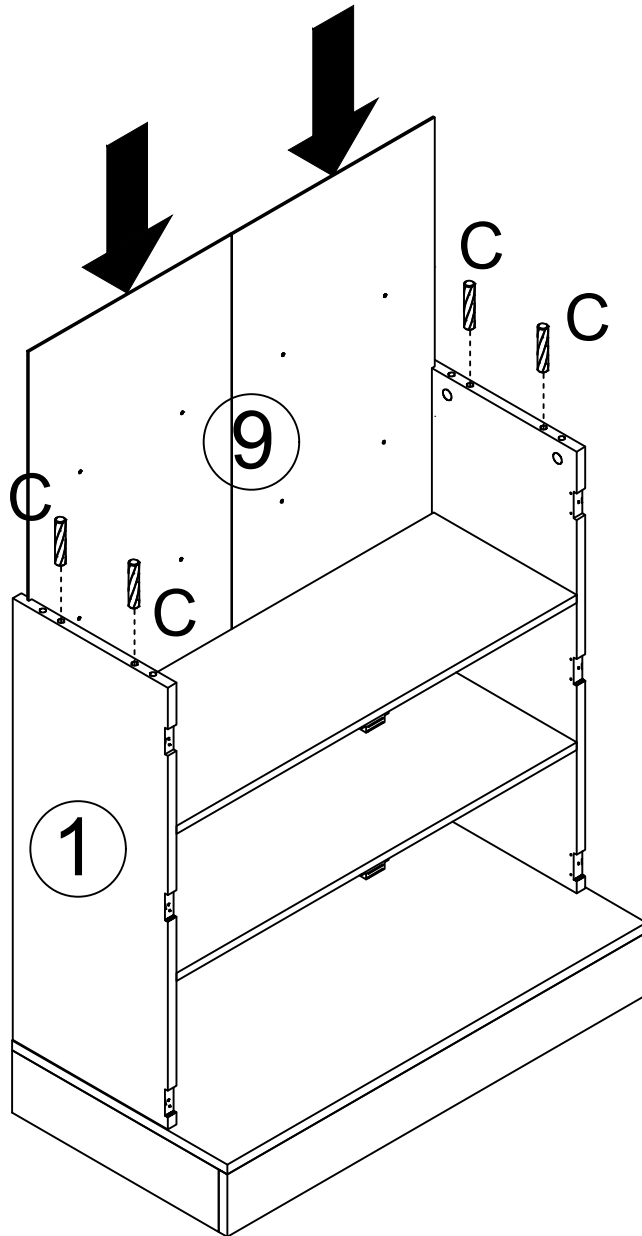
C x 4




B	x7	C	x4
			
Ø15x10mm		Ø6x30mm	

7

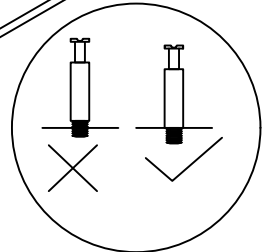
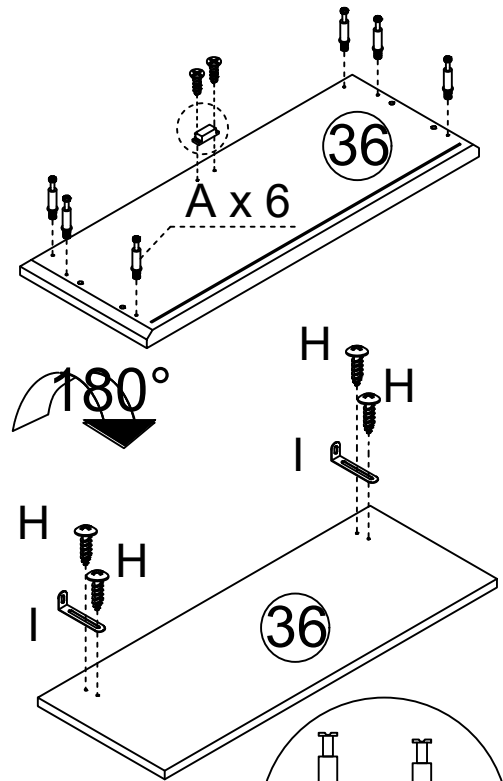
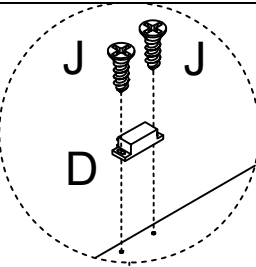
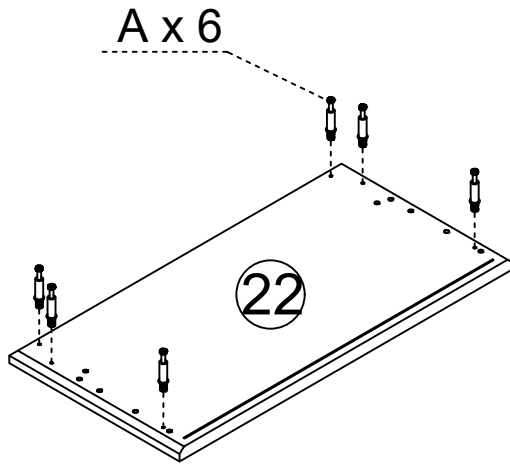
Slide Board #9 along the prefabricated tracks of boards #1 and #2, and insert the two wooden plugs C into the side holes of boards #1 and #2 respectively.



C	x4
	
Ø6x30mm	

8

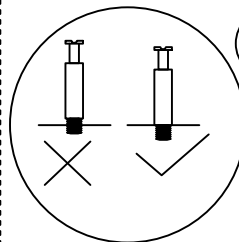
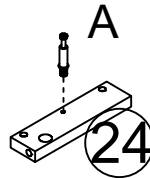
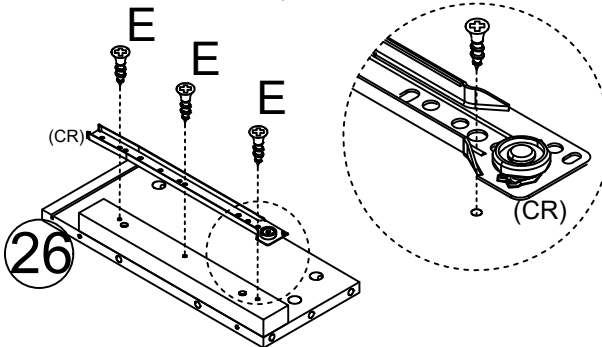
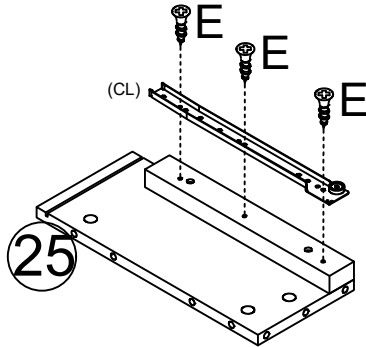
Screw the six screws A into board #22. Also, screw six screws A into board #36, and then use two screws J to fix part D on board #36. Flip it over to the back of board #36, and then fix the two parts I with four screws H.



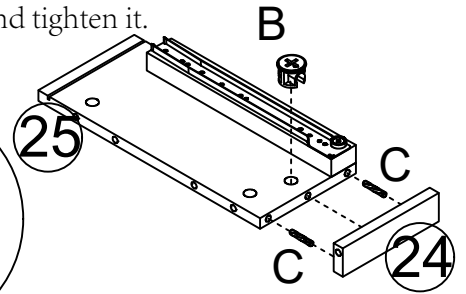
A	x12	D	x1	J	x2	H	x4	I	x2
Ø6x35mm				Ø3x14mm		Ø4x16mm			

9

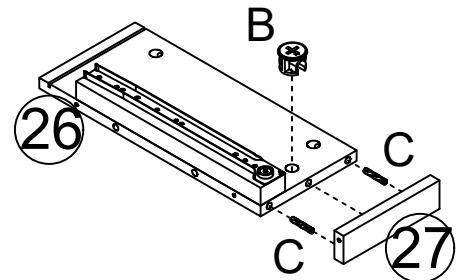
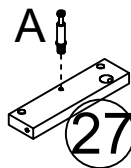
Install the track CL on board #25 using 3 screws E as shown in the diagram, and then install the track CR on board #26 using 3 screws E.



Tighten one screw A onto board #24, then use two wooden plugs C to connect boards #25 and #24 simultaneously. Finally, insert one bolt B into board #25 and tighten it.

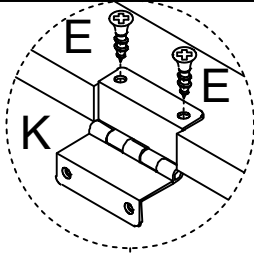


Connect and fix boards #26 and #27 using the same steps as above.

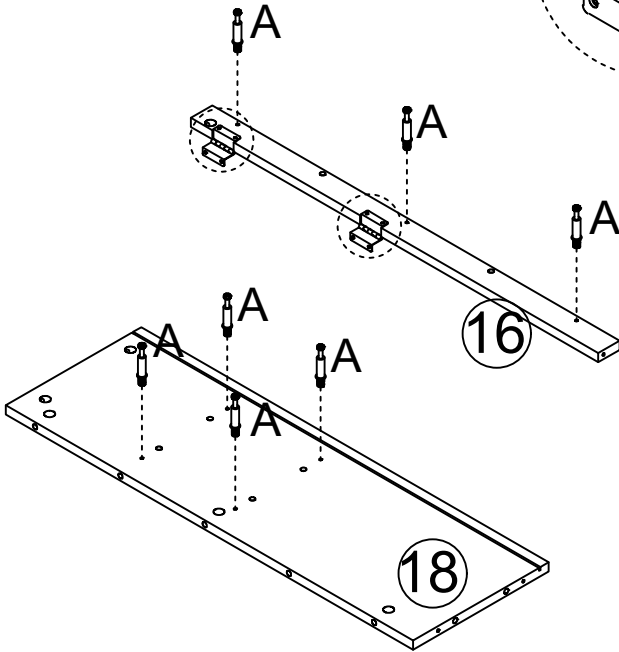
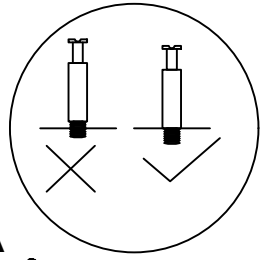


A	x2	B	x2	C	x4	E	x6	CL	x1	CR	x1
Ø6x35mm		Ø15x10mm		Ø6x30mm		Ø3.5x14mm		L300mm		L300mm	

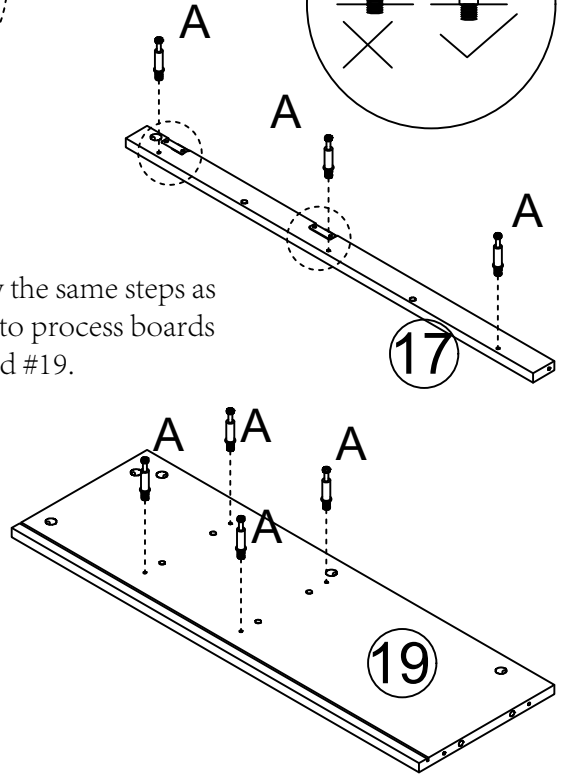
10 Use 4 screws E to tighten 2 parts K onto board #16, and then screw in 3 screws A onto board #16. Screw in four screws A on board #18.



x 4

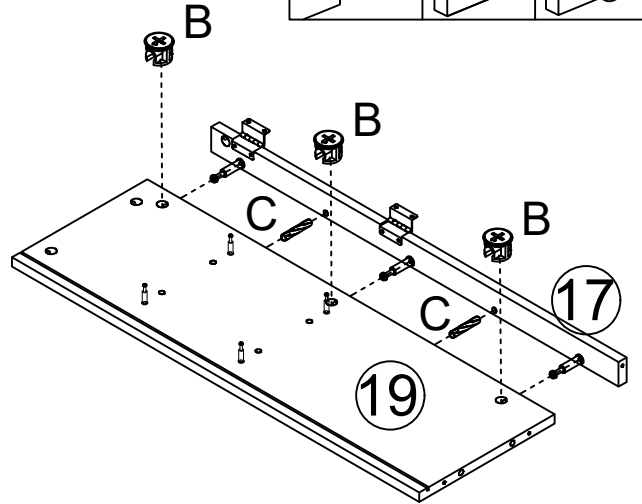
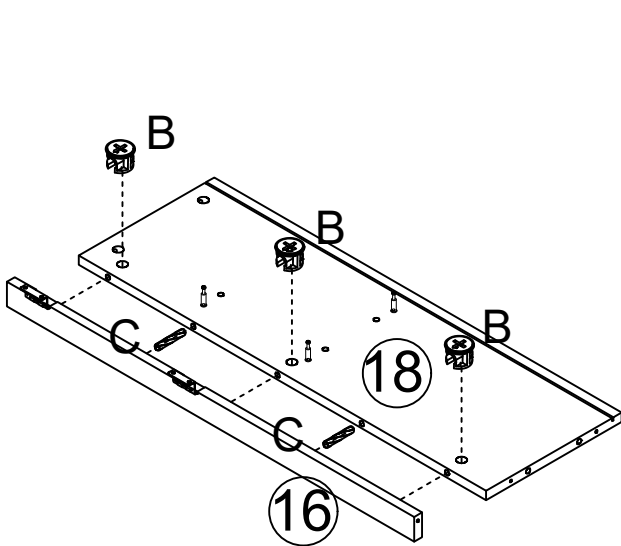
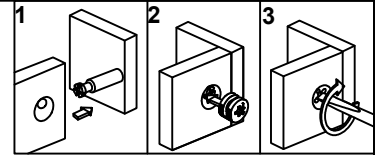


Follow the same steps as above to process boards #17 and #19.



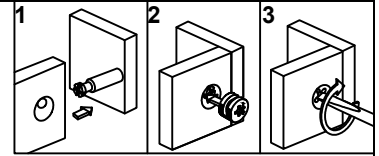
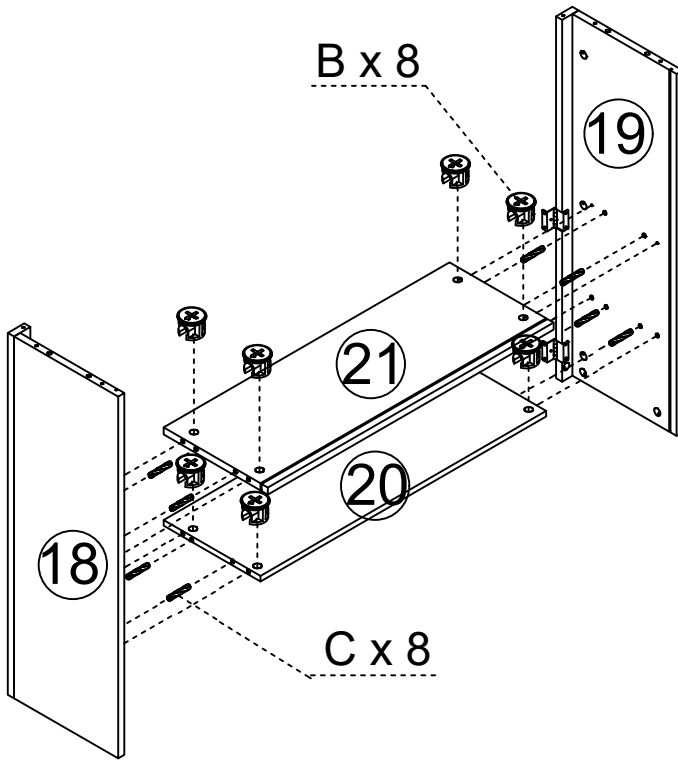
A	x14	E	x8	K	x4
Ø6x35mm		Ø3.5x14mm			

11 Connect and fix boards #16 and #18 using 2 wooden plugs C and 3 bolts B. Follow the same steps to connect and fix boards #17 and #19.





B	x6	C	x4
Ø15x10mm		Ø6x30mm	

12



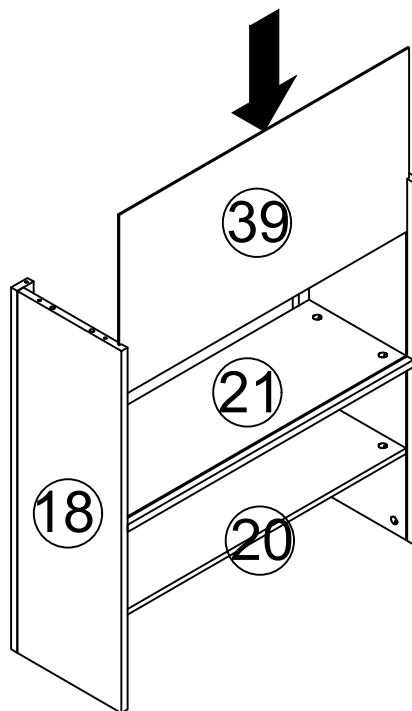
First, use two wooden plugs C and four bolts B to link and fix boards #18 and #21, and then use two wooden plugs C to connect boards #18 and #20. Follow the same steps on the other side. (Please note that the internal prefabricated tracks of boards #18 and #19 should be on the same side when installing.)

B	x8	C	x8
			
Ø15x10mm		Ø6x30mm	



13

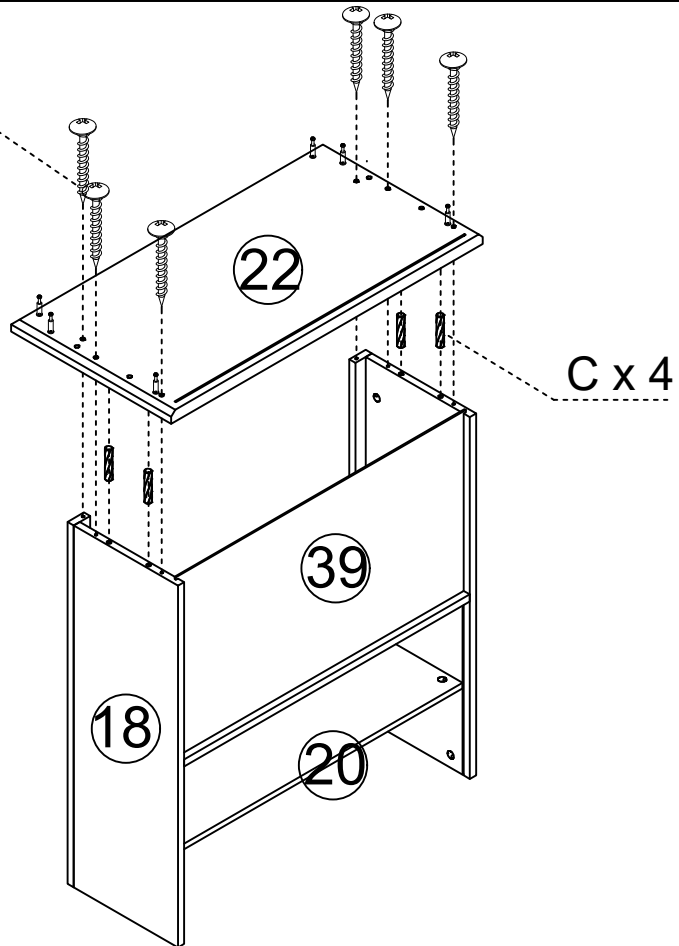
Slide board #39 simultaneously along the prefabricated tracks of boards #18 and #19.





14

L x 6

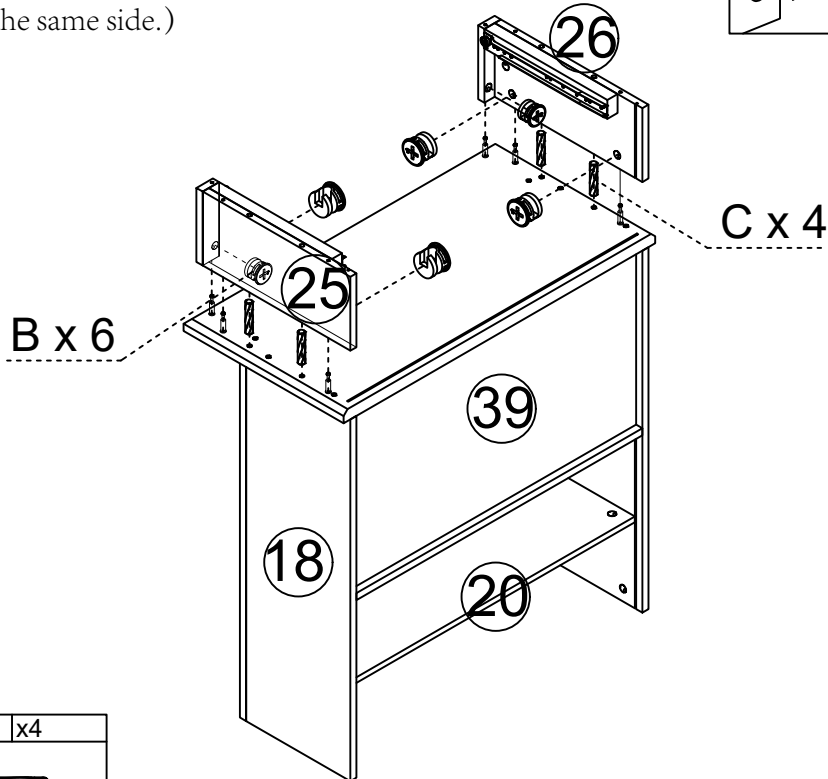
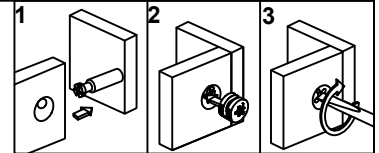
Connect board #22 and the completed unit with 4 wooden plugs C and tighten them with 6 screws L.





C	x4	L	x6
			
Ø6x30mm		Ø4x55mm	

15

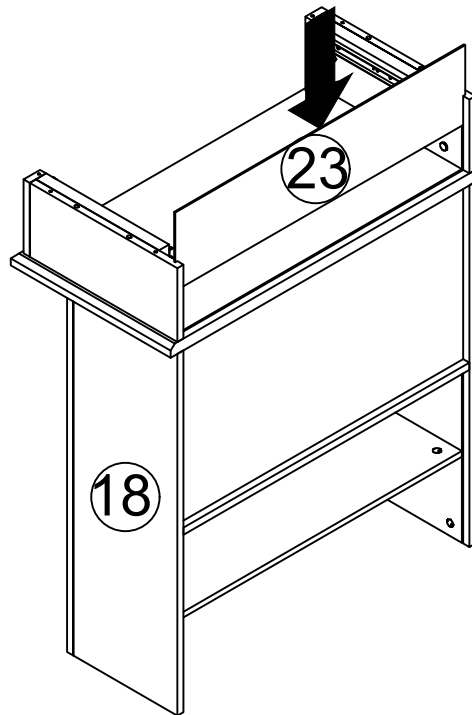
Use the pre-installed 6 screws A and 4 wooden plugs C to connect boards #25 and #26 to the completed units respectively, and then tighten them with 6 bolts B. (Please make sure that the internal prefabricated tracks of boards #25 and #26 are on the same side.)



B	x6	C	x4
			
Ø15x10mm		Ø6x30mm	

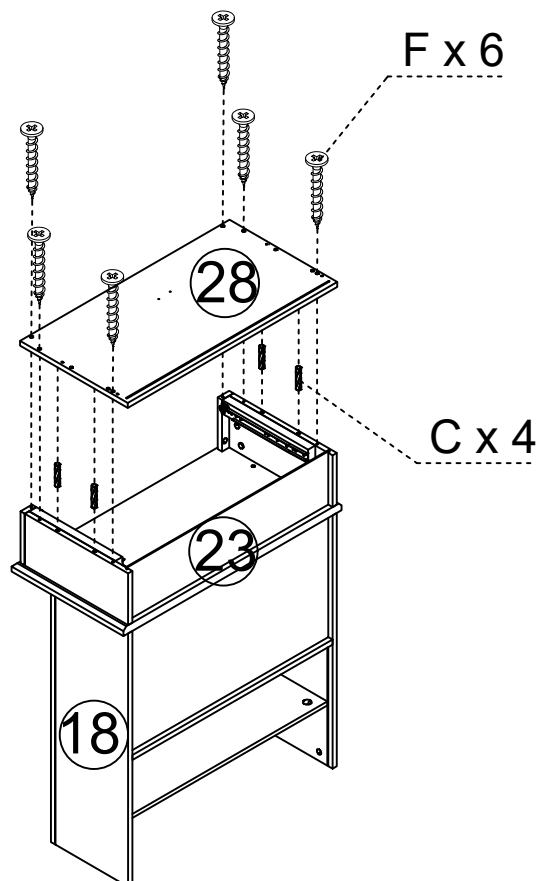
16



Slide board #23 along the prefabricated tracks of boards #25 and #26.



17

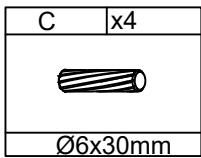
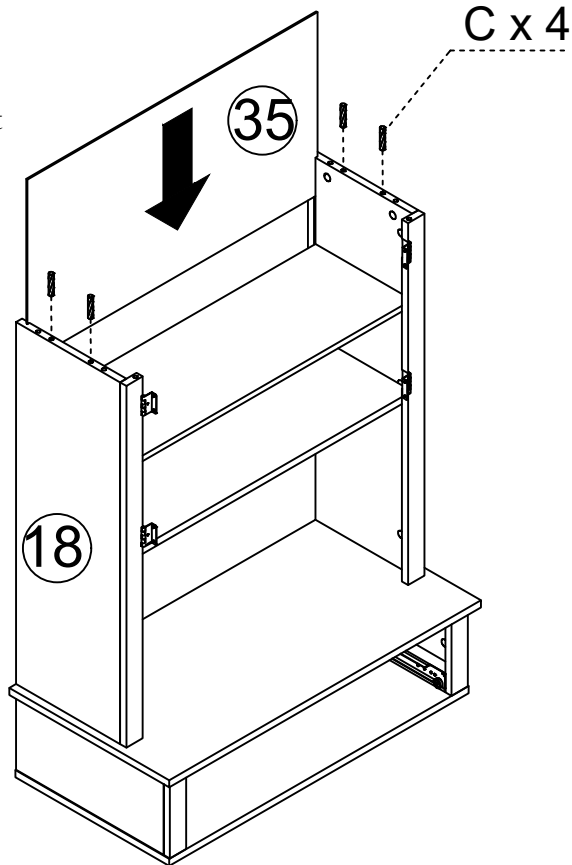
Use 4 wooden plugs C to connect board #28 to the completed unit and then connect and tighten them with 6 screws F.



C	x4	F	x6
			
Ø6x30mm		Ø4x35mm	

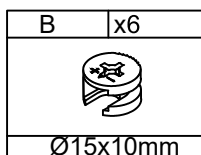
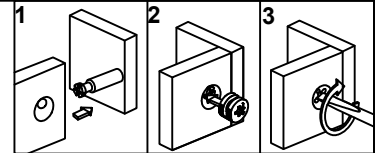
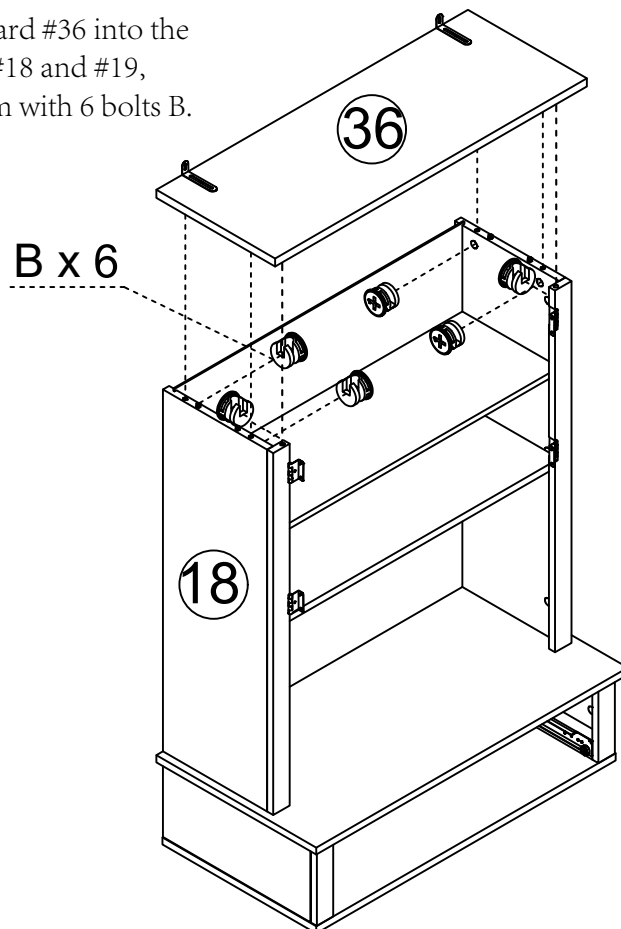
18

Rotate the completed unit up and down, and then slide board #35 along tracks #18 and #19. And insert the four wooden plugs C into the side holes of board #18 and #19.



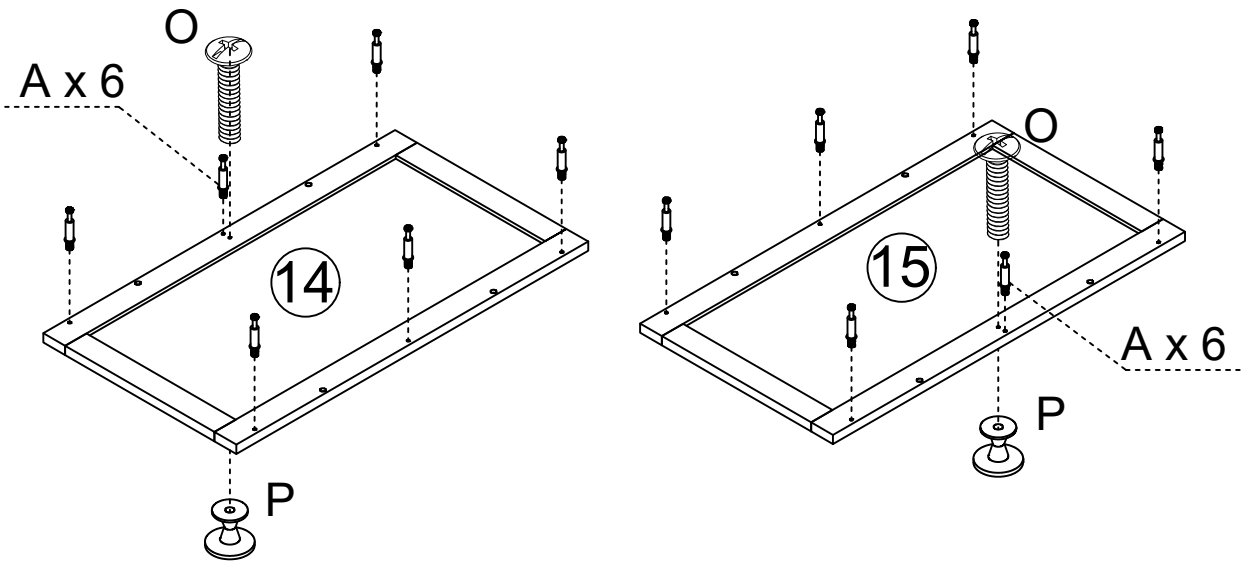
19

Insert screw A on board #36 into the side holes of boards #18 and #19, and then tighten them with 6 bolts B.



20

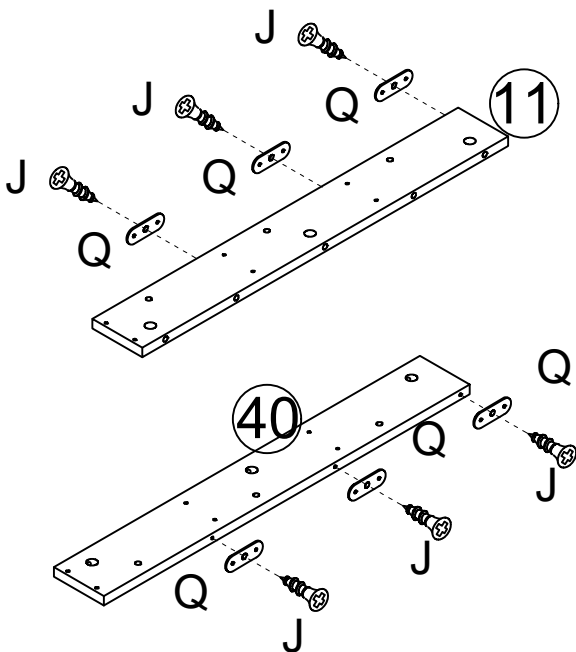
Place the drawer handle P on the front of the drawer panel #14, and then use screw O to tighten it from the back of the panel. Tighten the six screws A onto the back of board #14. The same steps are used to process Board #15.



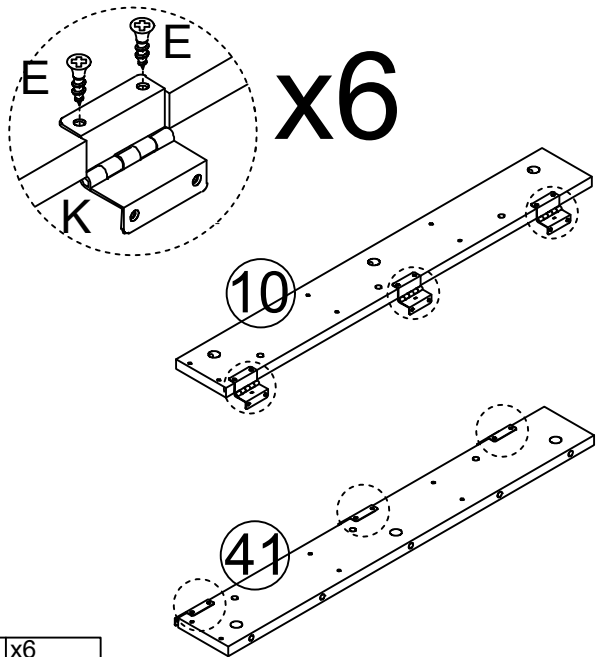
A	x12	O	x2	P	x2
Ø6x35mm		Ø4x20mm			

21

Use three screws J to tighten the two parts Q on the side of board #11 (and #40).



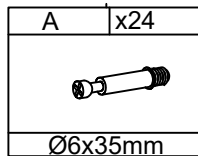
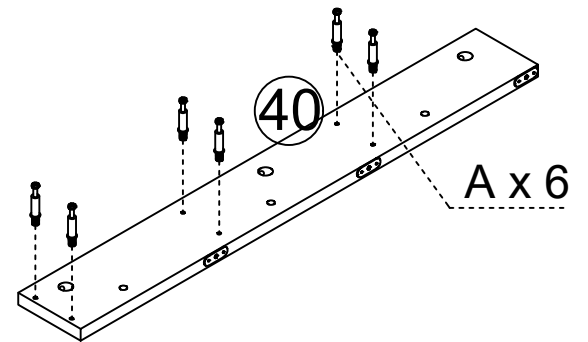
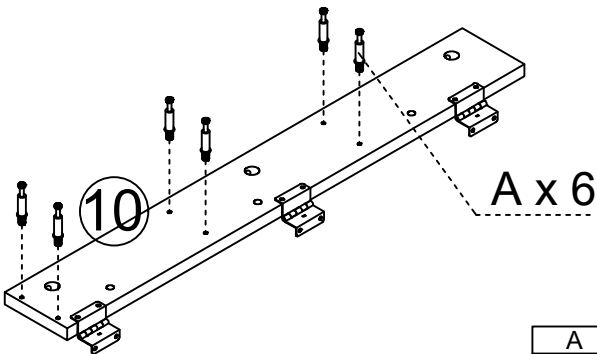
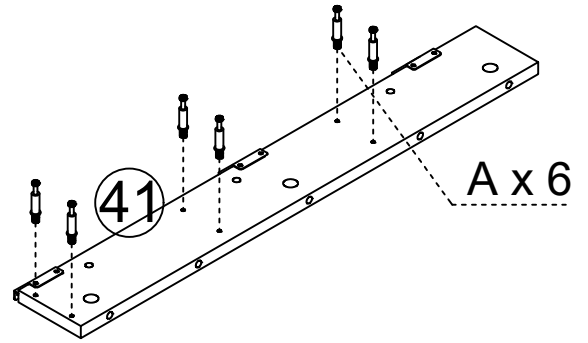
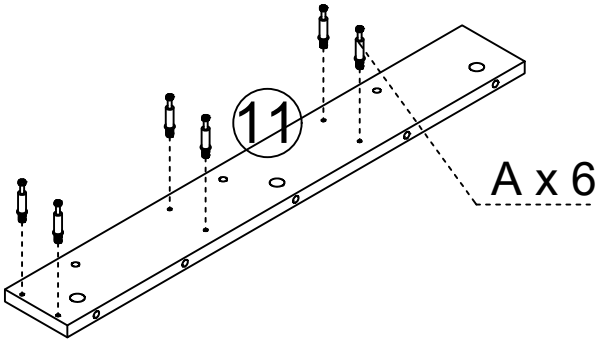
Use 6 screws E to tighten 3 parts K onto board #10 (and #41)



E	x12	J	x6	K	x6	Q	x6
Ø3.5x14mm		Ø3x14mm					

22

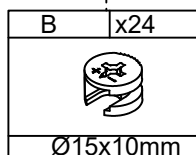
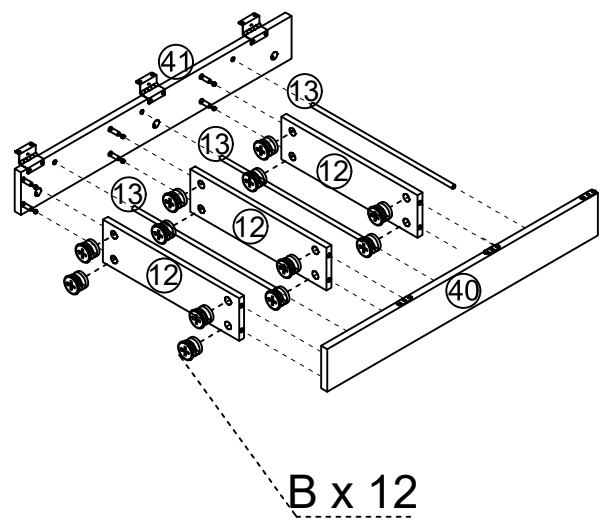
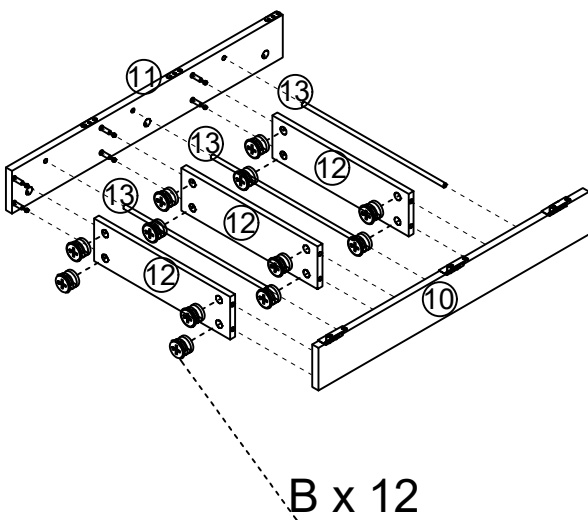
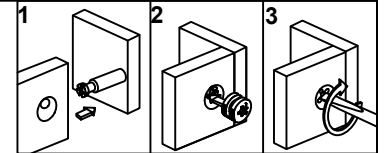
According to the illustration, install 6 screws A on boards #10, #11, #40 and #41 respectively (totaling 24 screws A).



23

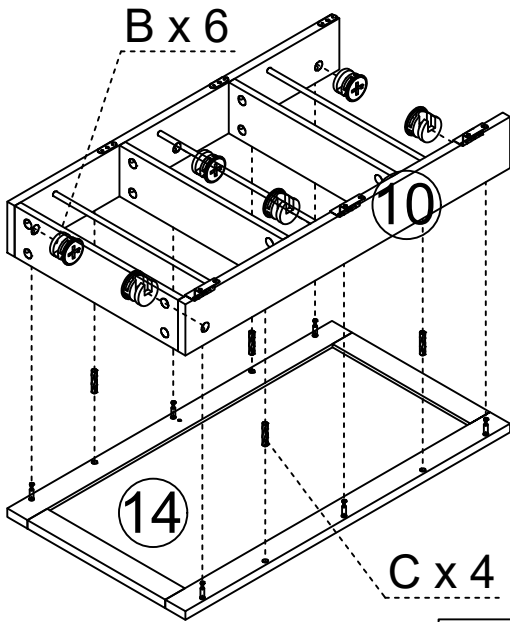
First, fix the three boards #12 to board #11 respectively using six bolts B as shown in the diagram, and then insert the three round pipes #13 into board #1. Then align board #10 with round pipe #13 and board #12 respectively, and finally tighten them with 12 bolts B.

Follow the same steps to process boards #40, #41, #12, and round pipes #13 and complete the assembly.



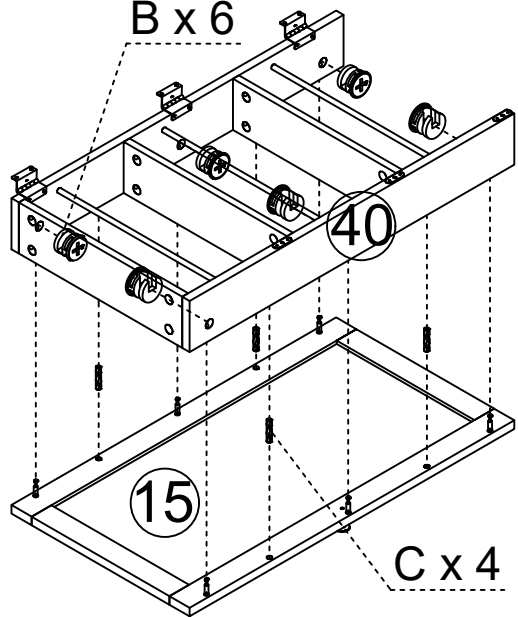
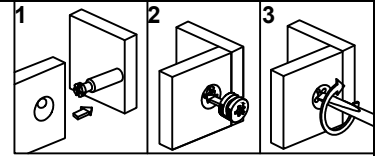
24

Use 4 wooden plugs C to connect the cabinet door #14 to the unit containing the board #10 and tighten them with 6 bolts B.



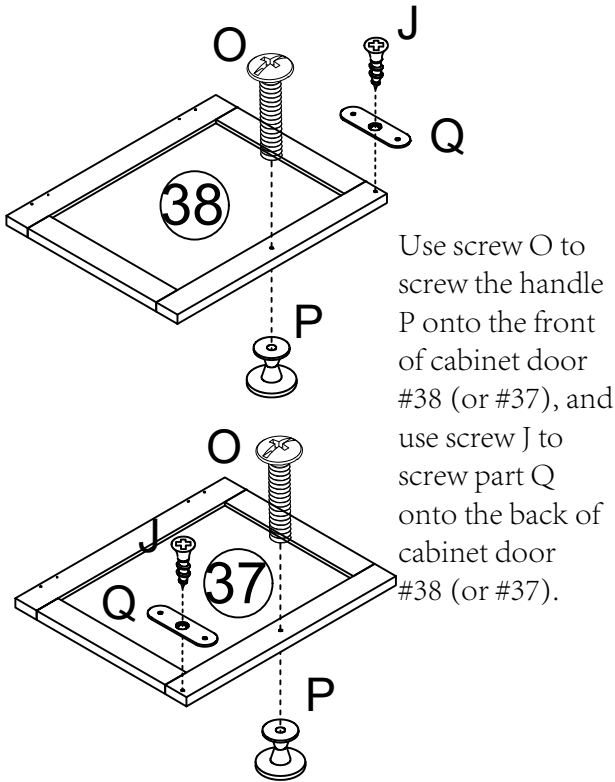
B	x12
Ø15x10mm	

Use the same steps to connect the cabinet door #15 and the unit containing the board #40 and fix them in place.



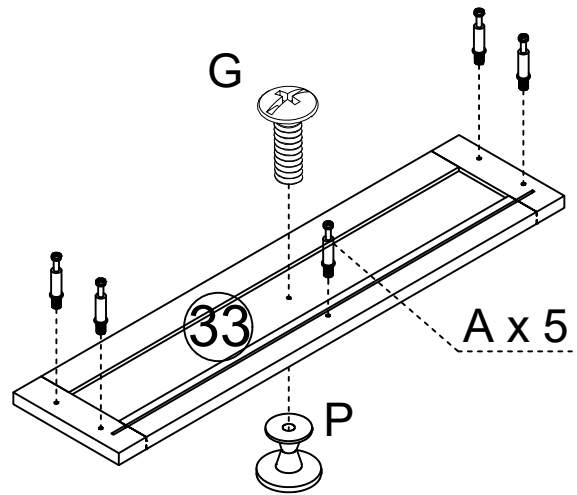
C	x8
Ø6x30mm	

25



Use screw O to screw the handle P onto the front of cabinet door #38 (or #37), and use screw J to screw part Q onto the back of cabinet door #38 (or #37).

Use screw G to screw the handle P onto the drawer door panel #33, and then screw 5 screws A onto the panel #33.



A	x5
Ø6x35mm	

G	x1
Ø4x10mm	

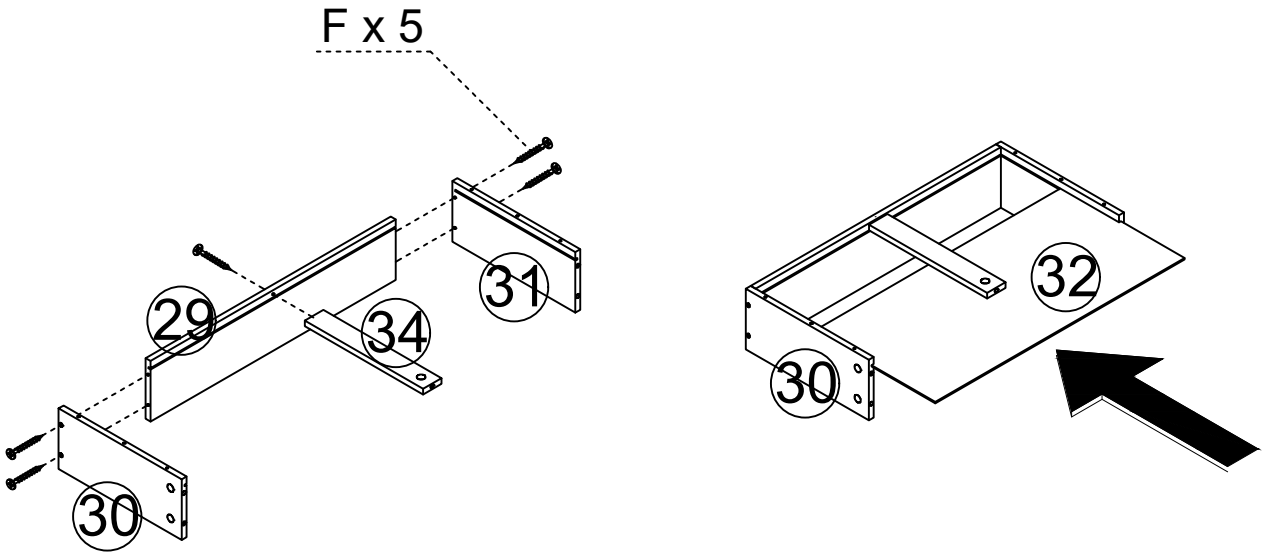
J	x2
Ø3x14mm	

O	x2
Ø4x20mm	

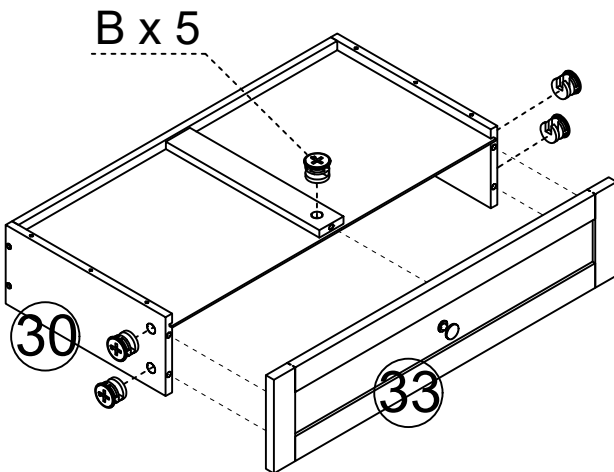
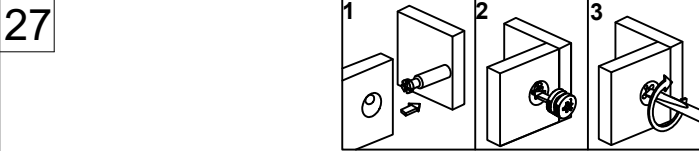
P	x3

Q	x2

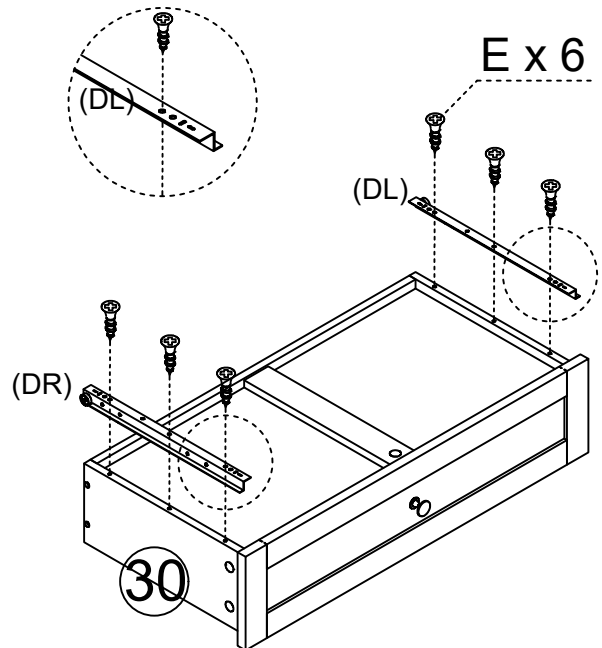
26 Use five screws F in sequence to connect and fix boards #30, #31, #34 and board #29 (Note that the tracks of Board #30 and #31 should be on the same side.). Then slide board #32 tightly against the inner side of board #34 along the tracks of board #30 and #31.



F	x5
Ø4x35mm	



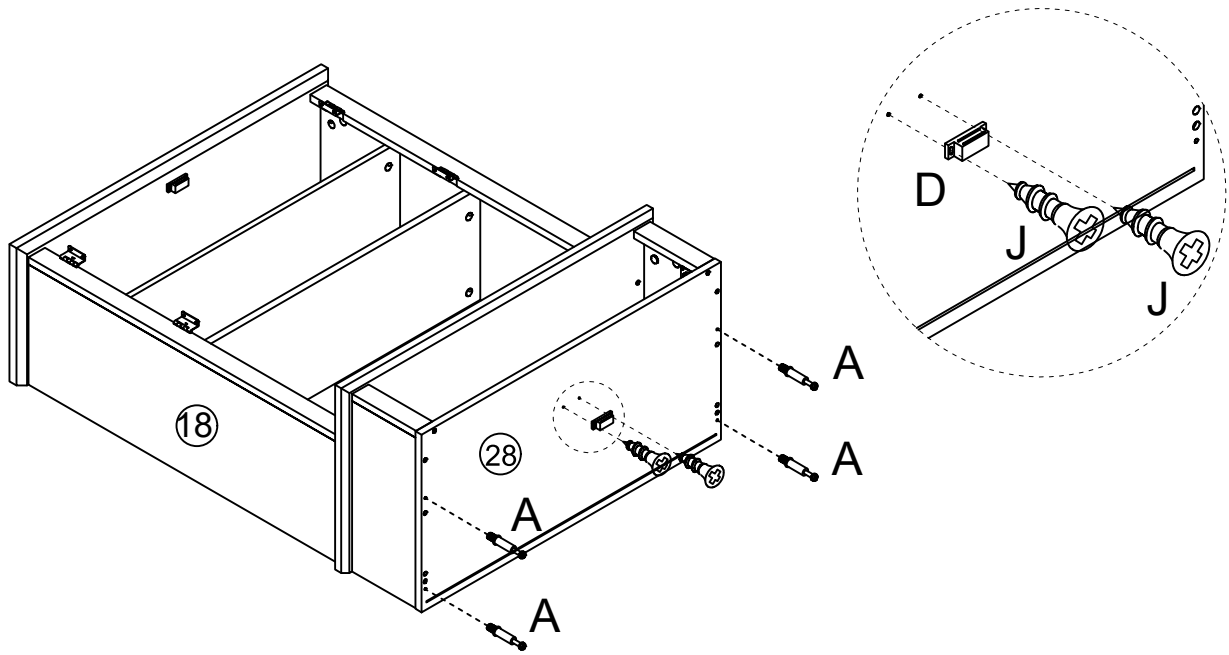
Use five bolts B to connect and fix the completed unit to board #33.






Fix the tracks DR and DL respectively at the bottom of board #30 and #31 with 3 screws E. (Note to distinguish the screw holes according to the illustration!)

B	x5	E	x6	DL	x1	DR	x1
Ø15x10mm		Ø3.5x14mm		L300mm		L300mm	

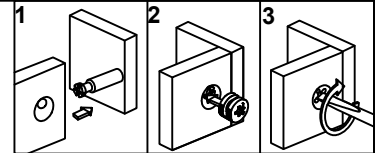
28



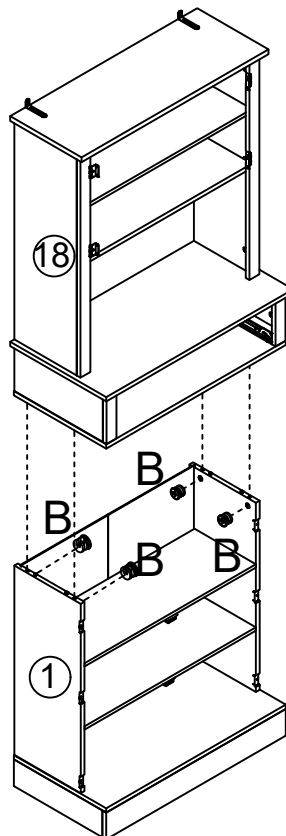
Tighten 4 screws A and use 2 screws J to fix part D on board #28.


A	x4	D	x1	J	x2
					
Ø6x35mm				Ø3x14mm	

29



Align the upper and lower parts of the pantry and tighten them in place with four bolts B. This step is recommended to be performed by two people.



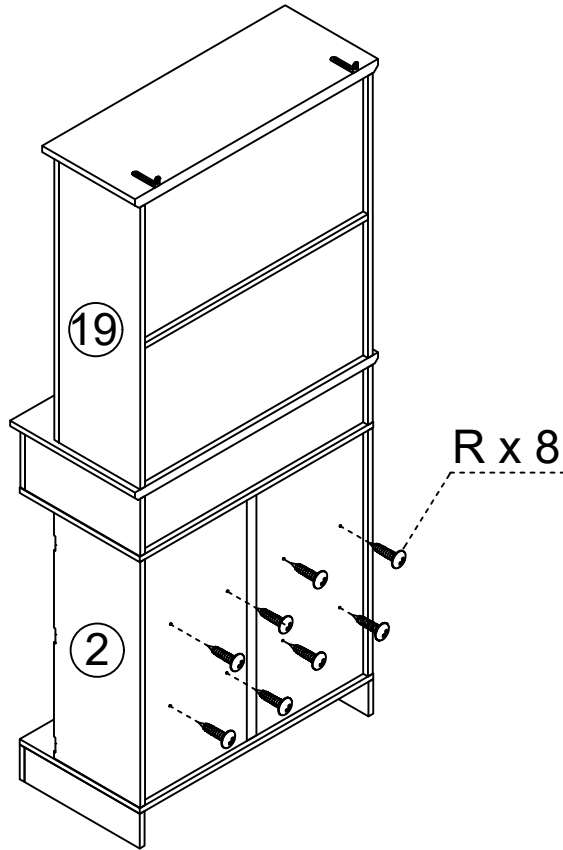
B	x4
	
Ø15x10mm	




2 PERS

30

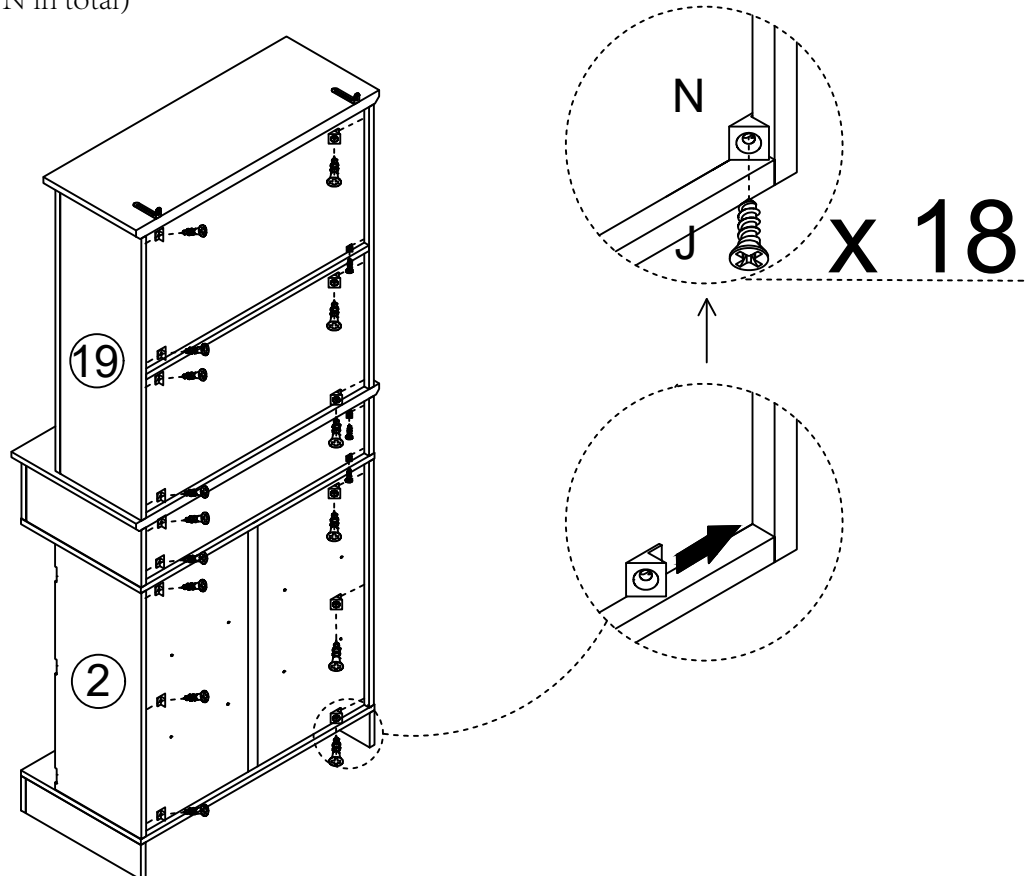
Use 8 screws to connect and fix the back plate #9 to the side holes of the shelves #3 and #4.





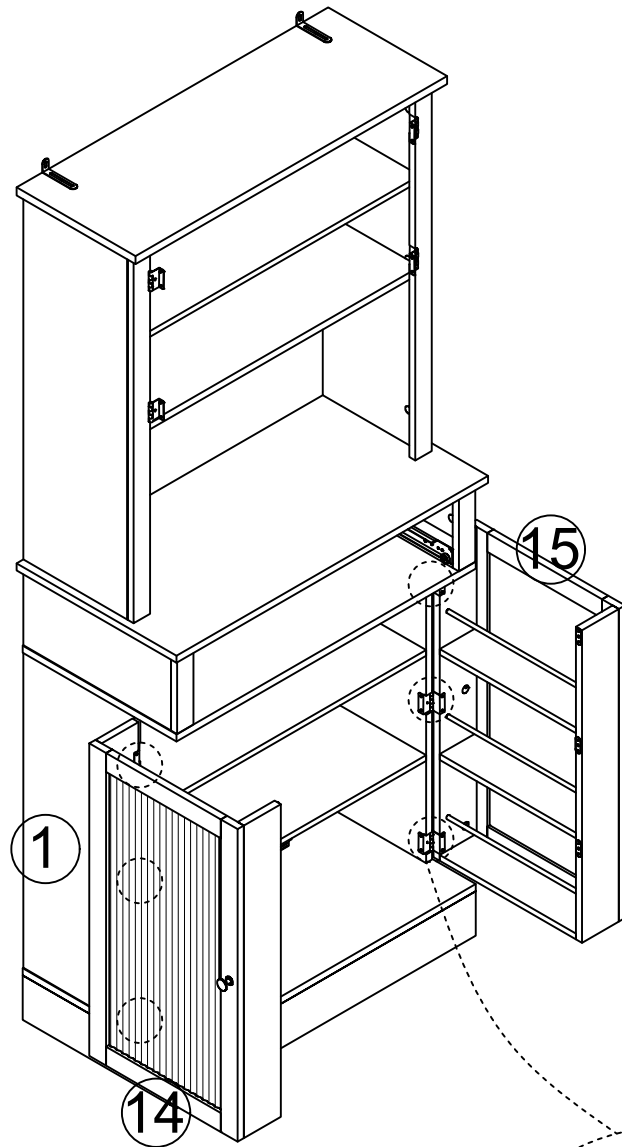
R	x8
	
Ø3x14mm	

31

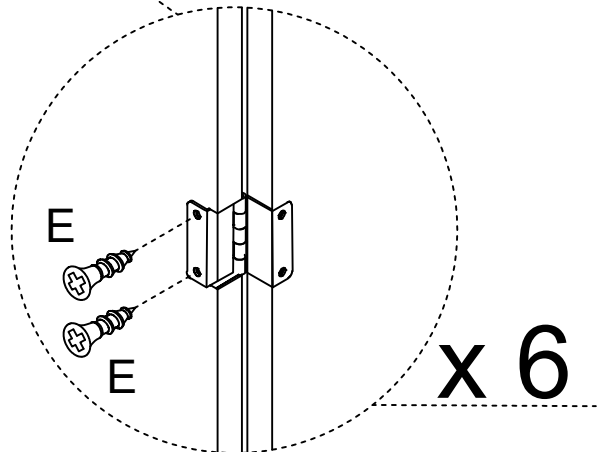
Tighten the plastic parts N with screws J respectively at each corner of the back of the pantry to reinforce them. (18 plastic parts N in total)




J	x18
	
Ø3x14mm	
N	x18
	



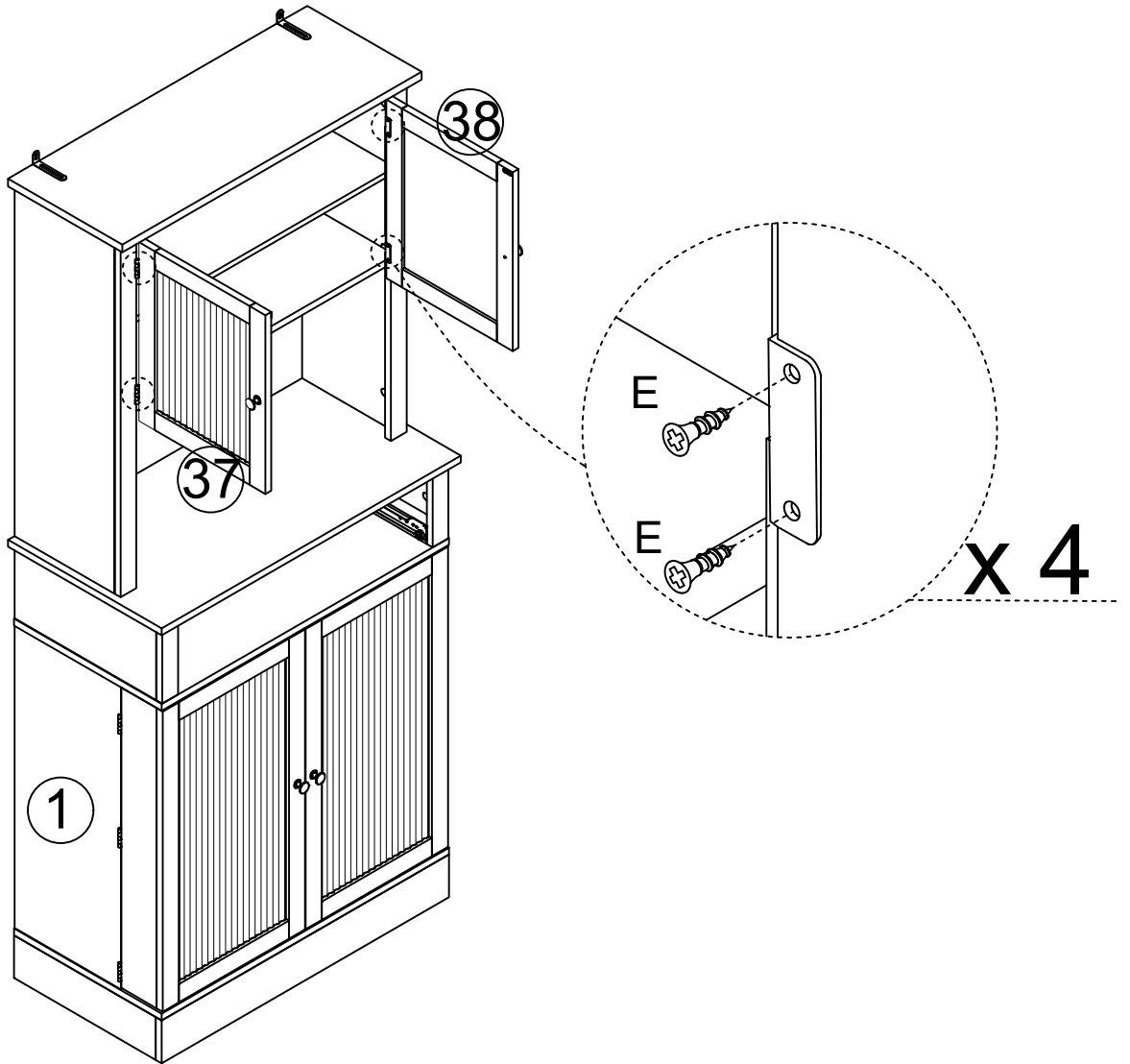
Use six screws E to fix the cabinet door units #14 and #15 to the upper part of the pantry in sequence.




E	x12
	
$\text{Ø}3.5 \times 14\text{mm}$	

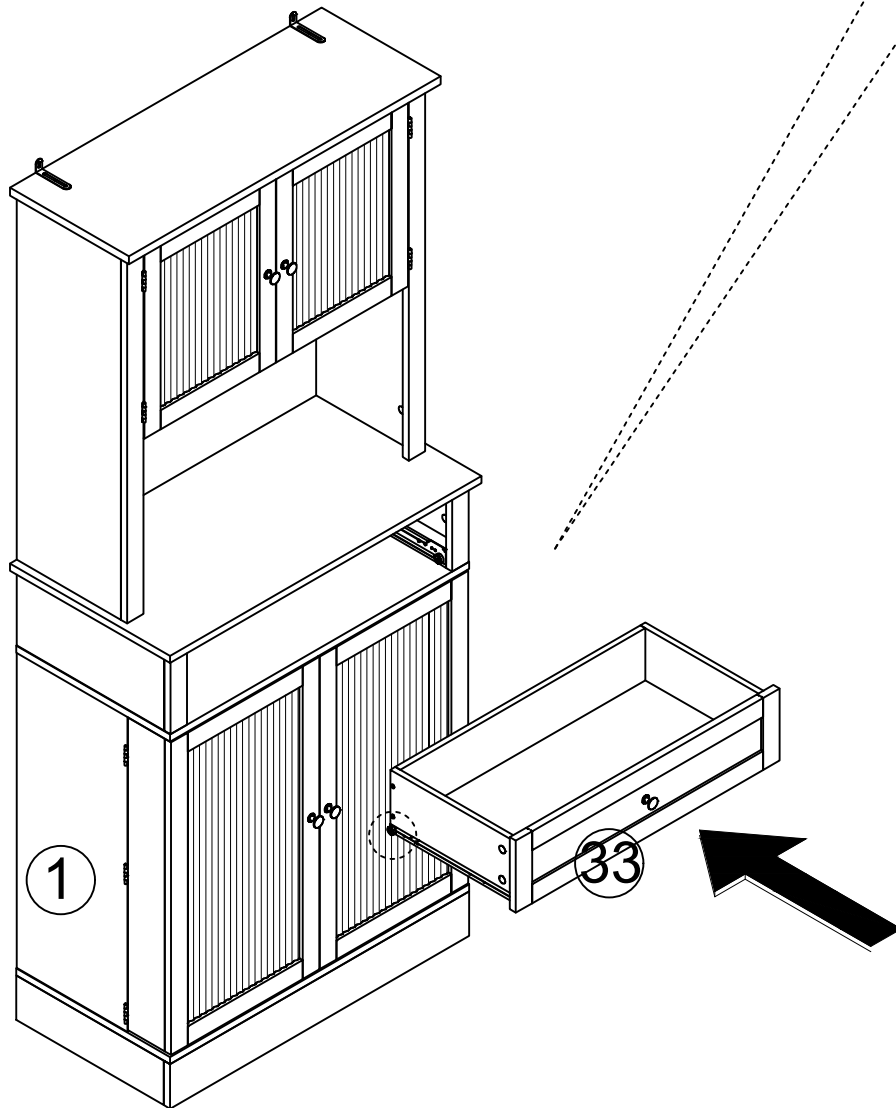
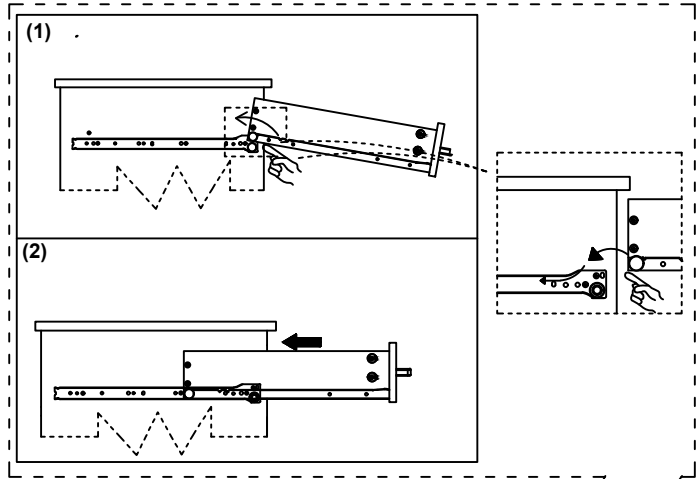
33

Use four screws E to fix the cabinet door units #37 and #38 to the lower section of the pantry in sequence.



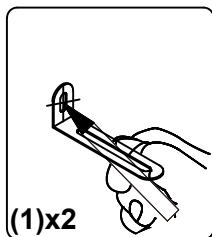
E	x8
	
Ø3.5x14mm	

Load the drawer containing board #33 into the pantry along the track of the drawer slide rail.

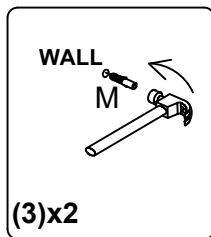


35

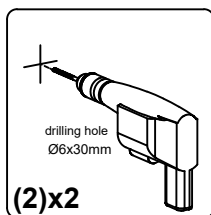
The last step is to install the pantry on the wall. Just follow the steps below in sequence.



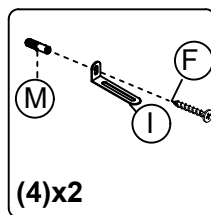
then, use a ruler to measure the approximate height of the product on the wall, and then mark it with a pen.



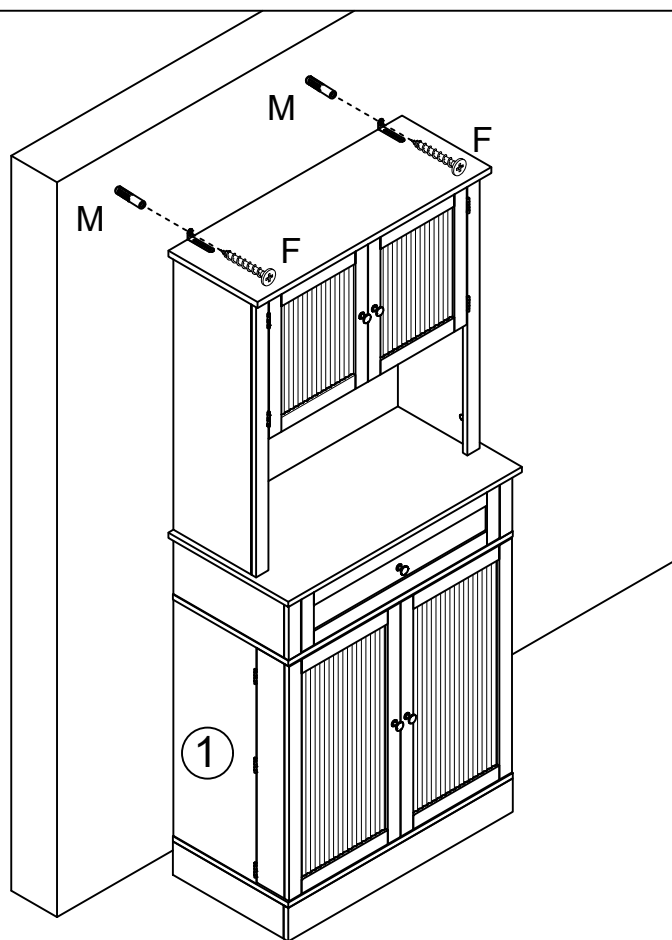
Then, put the expansion bolt into the hole





Then use a tape drill to make holes in the wall that are suitable for the product screws.



Finally, pass the matching screws through the "anti-rewind" and tighten them to fix them on the wall.



F	x2	M	x2
			
Ø4x35mm			

Thank You!


For Your Purchase

Dear Customer,
Thank you for your recent order,
Now that you have got a finished pantry, hurry up and put it to use! Each customer enjoys a one-year warranty. Once the warranty is activated, we promise to provide you with a risk-free experience during the warranty period. You are particularly welcome to share your feeling on Amazon.
Have a wonderful day!

Contact us to unlook benefits

- ✓ Activating the One-year Warranty
- ✓ Viewing the Installation Video
- ✓ Getting a \$5-\$15 Gift Card / Salt Lamp
- ✓ Joining the New Product Trial Program

Please kindly contact us in time if you need customer service.

 +1 7402568754

 service_April@163.com

Thanks again for your purchasing!