

*ASSEMBLY INSTRUCTIONS*



**ARMLESS CHAIR**

# ASSEMBLY INSTRUCTIONS

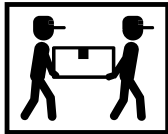
**ASSEMBLY TIPS:**

- 1. Remove hardware from box and sort by size.
- 2. Please check to see that all hardware and parts are present prior to start of assembly.
- 3. Please follow attached instructions in the same sequence as numbered to assure fast & easy assembly.






**WARNING!**

- 1. Don't attempt to repair or modify parts that are broken or defective. Please contact the store immediately.
- 2. This product is for home use only and not intended for commercial establishments.



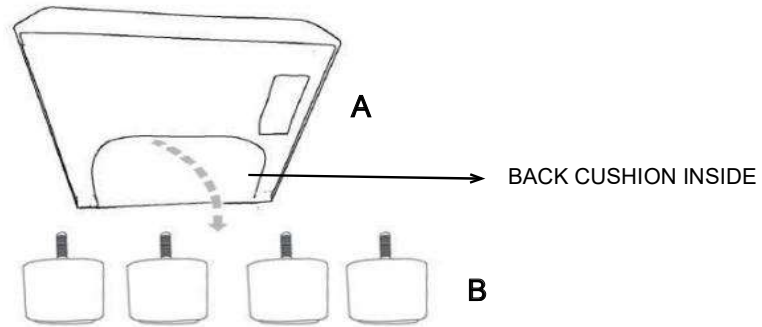
**ASSEMBLY TIME 10 MINUTES**

## PARTS IDENTIFICATION

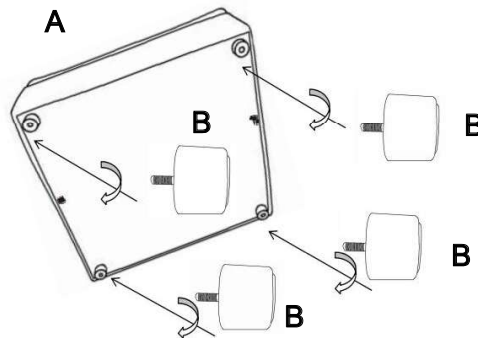
	PART NAME	FIGURE	QUANTITY
A	ARMLESS CHAIR		1PC
B	LEG		4PCS
C	BACK CUSHION		1PC

## ASSEMBLY INSTRUCTIONS

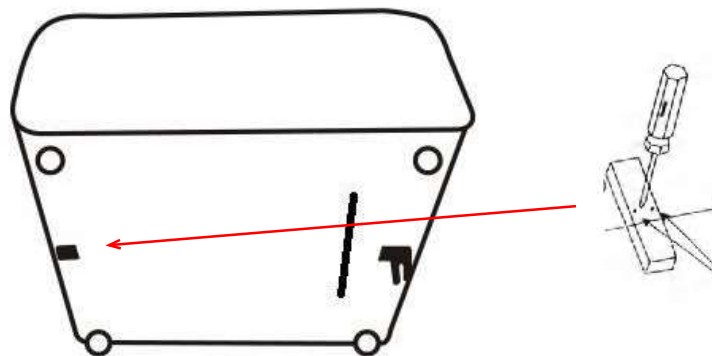
**STEP 1** Turn over the item and take out the legs from zippered pouch



**STEP 2** Install the legs as pictures show

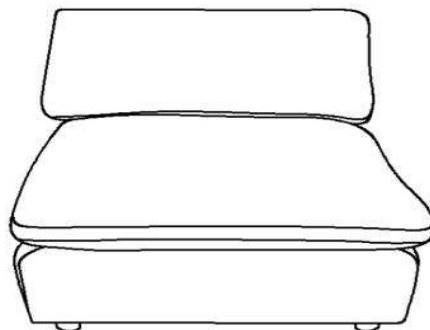


**STEP 3** Please remove the wood block with screwdriver, do not use a hammer



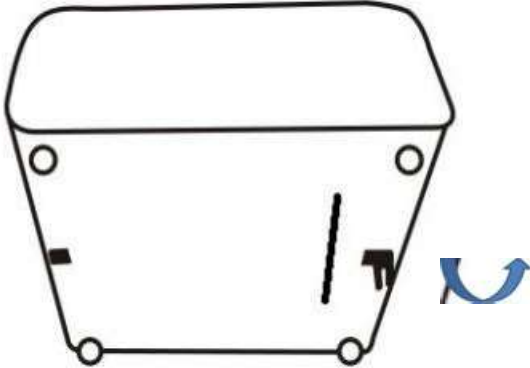
**STEP 4**

COMPLETE



# ASSEMBLY INSTRUCTIONS

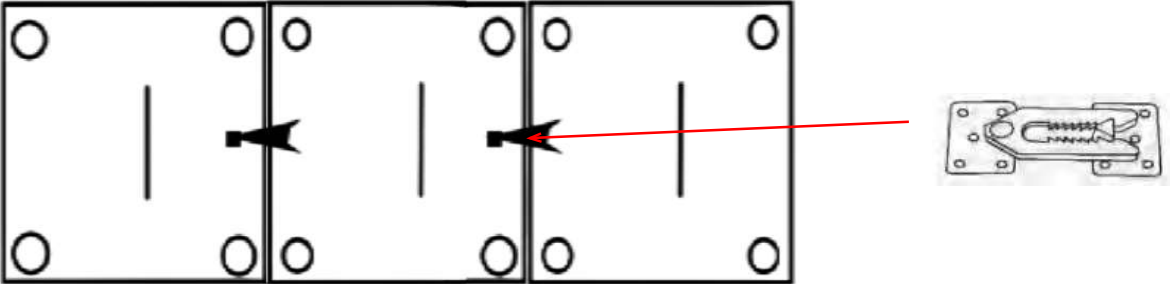
**STEP 5** Rotate the metal clips

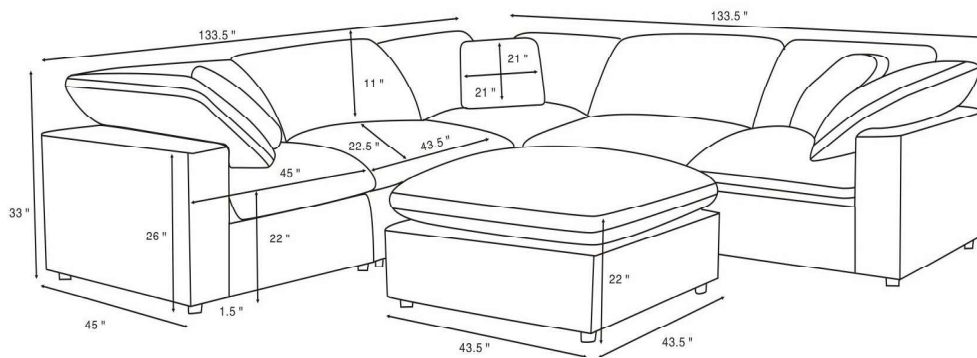
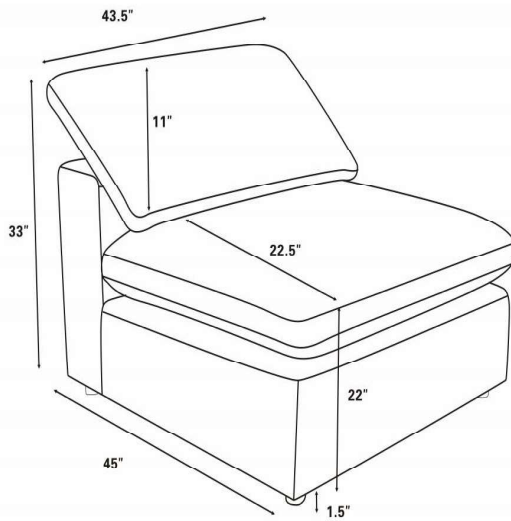


**STEP 6** Put the armless chair and corner and ottoman closer

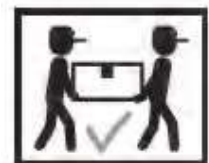


**STEP 7** Insert the metal clips to connect other units as pictures show





Note : Dimension tolerance  $\pm 5\%$



*ASSEMBLY INSTRUCTIONS*



**CORNER**

# ASSEMBLY INSTRUCTIONS

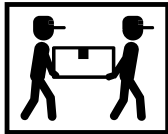
### ASSEMBLY TIPS:

- 1. Remove hardware from box and sort by size.
- 2. Please check to see that all hardware and parts are present prior to start of assembly.
- 3. Please follow attached instructions in the same sequence as numbered to assure fast & easy assembly.



### WARNING!

- 1. Don't attempt to repair or modify parts that are broken or defective. Please contact the store immediately.
- 2. This product is for home use only and not intended for commercial establishments.



**ASSEMBLY TIME**

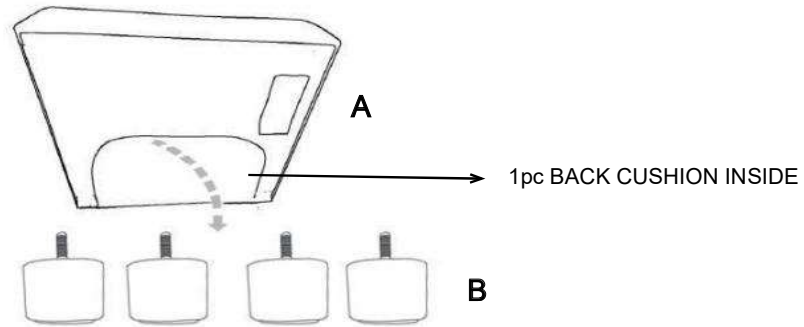
**10 MINUTES**

## PARTS IDENTIFICATION

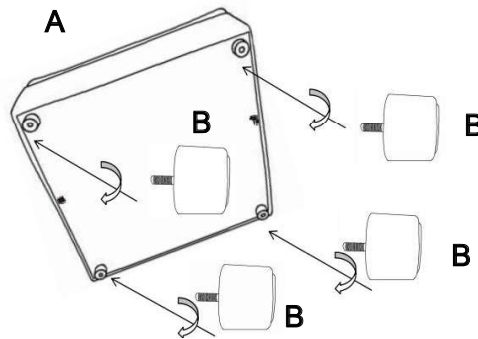
	PART NAME	FIGURE	QUANTITY
A	CORNER		1PC
B	LEG		4PCS
C	PILLOW		1PC
D	BACK CUSHION		2PCS

## ASSEMBLY INSTRUCTIONS

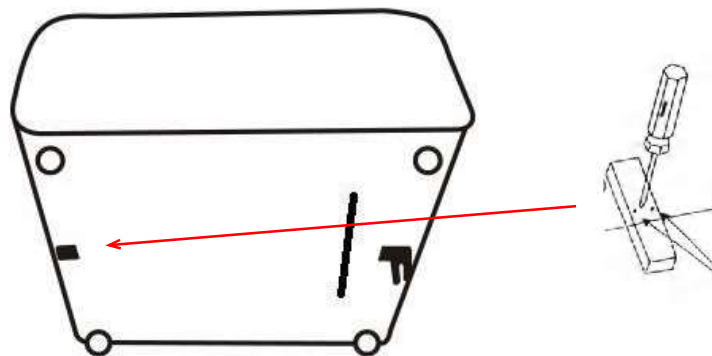
**STEP 1** Turn over the item and take out the legs from zippered pouch



**STEP 2** Install the legs as pictures show

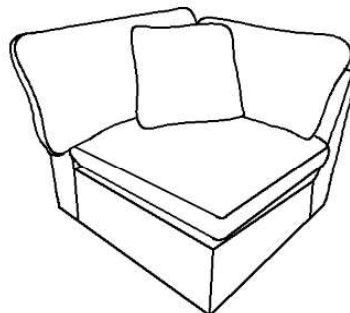


**STEP 3** Please remove the wood block with screwdriver,do not use a hammer



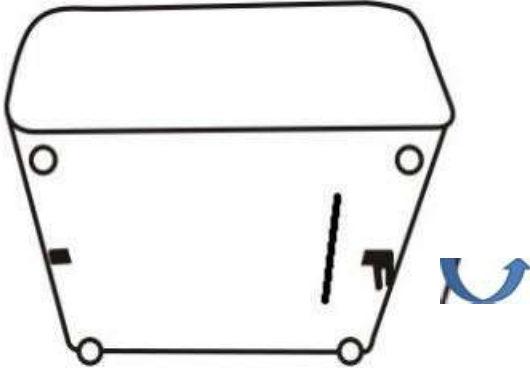
**STEP 4**

COMPLETE



**ASSEMBLY INSTRUCTIONS**

**STEP 5** Rotate the metal clips

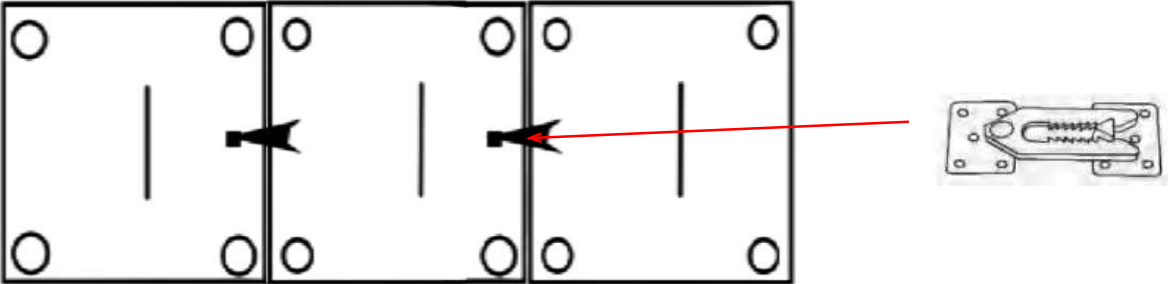


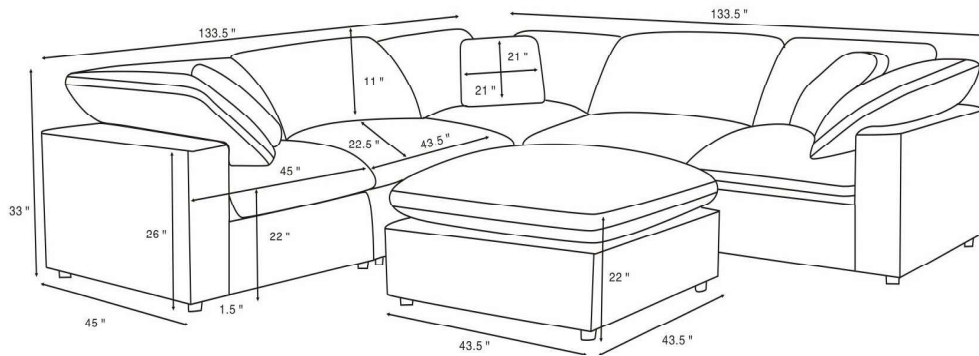
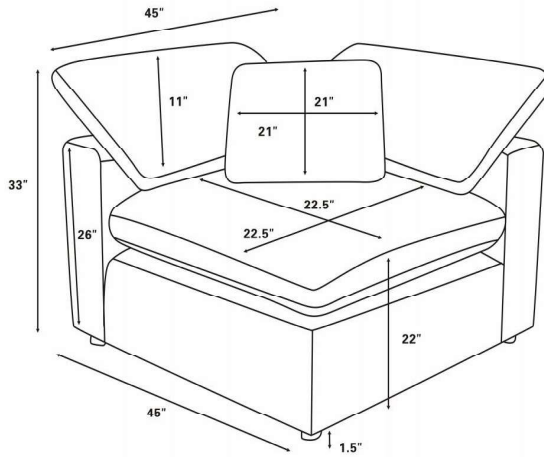
**STEP 6** Put the armless chair and corner and ottoman closer

551755                      551754                      551756



**STEP 7** Insert the metal clips to connect other units as pictures show





Note : Dimension tolerance  $\pm 5\%$



*ASSEMBLY INSTRUCTIONS*



OTTOMAN

# ASSEMBLY INSTRUCTIONS

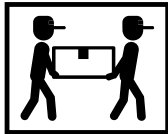
### ASSEMBLY TIPS:

- 1. Remove hardware from box and sort by size.
- 2. Please check to see that all hardware and parts are present prior to start of assembly.
- 3. Please follow attached instructions in the same sequence as numbered to assure fast & easy assembly.



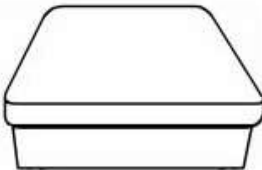
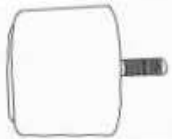
### WARNING!

- 1. Don't attempt to repair or modify parts that are broken or defective. Please contact the store immediately.
- 2. This product is for home use only and not intended for commercial establishments.



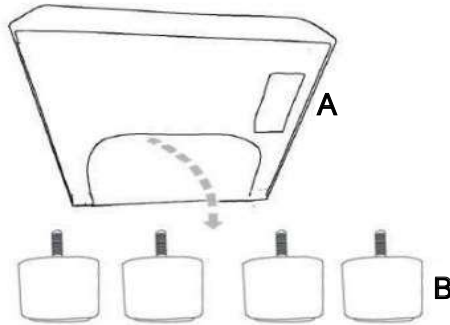
**ASSEMBLY TIME** **5 MINUTES**

## PARTS IDENTIFICATION

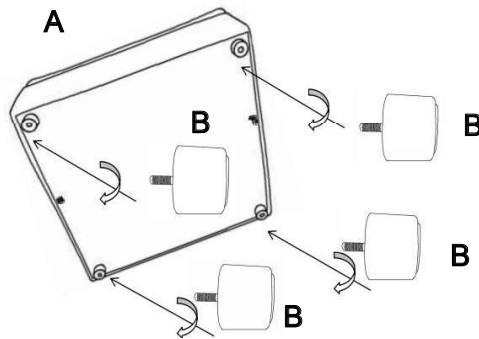
	PART NAME	FIGURE	QUANTITY
A	OTTOMAN		1PC
B	LEG		4PCS

## ASSEMBLY INSTRUCTIONS

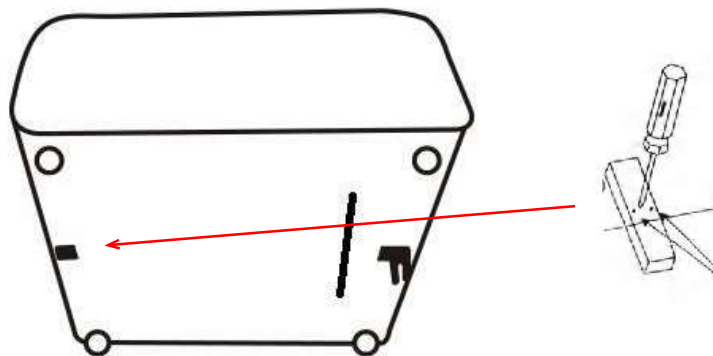
**STEP 1** Turn over the item and take out the legs from zippered pouch



**STEP 2** Install the legs as pictures show

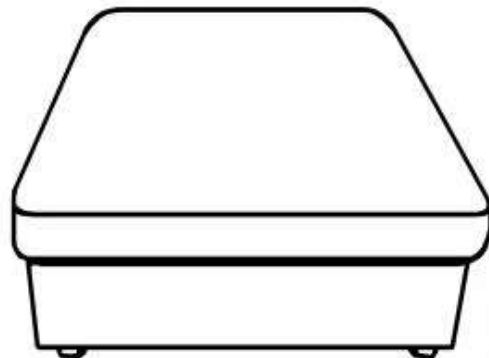


**STEP 3** Please remove the wood block with screwdriver,do not use a hammer



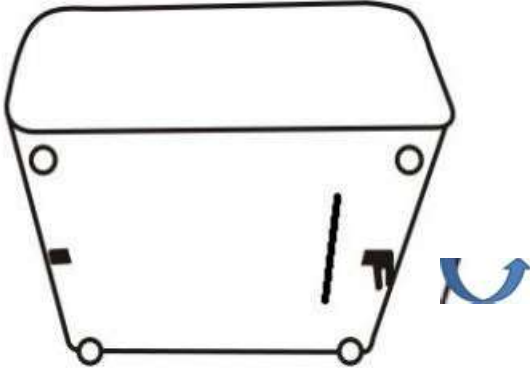
**STEP 4**

COMPLETE



# ASSEMBLY INSTRUCTIONS

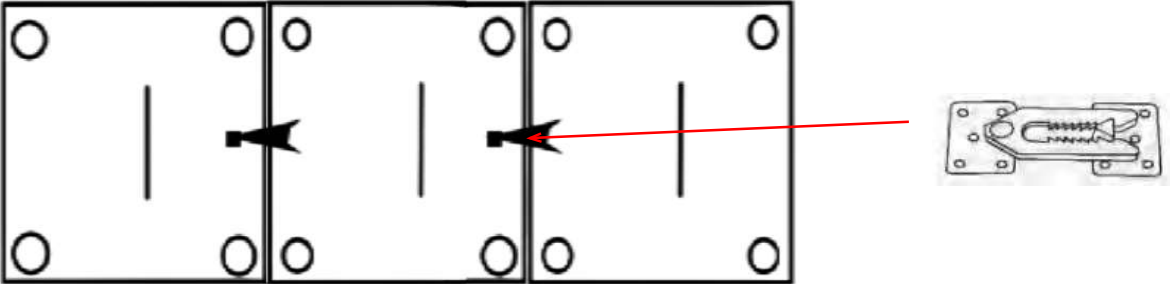
**STEP 5** Rotate the metal clips

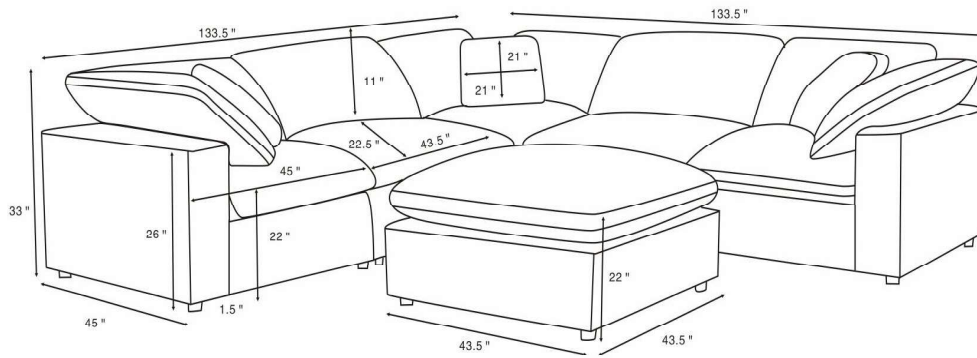
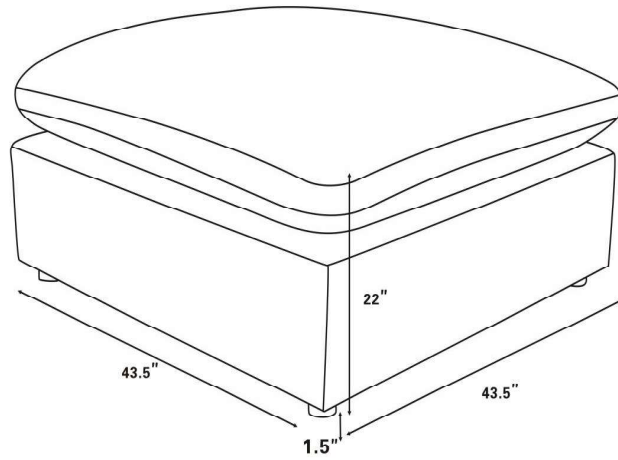


**STEP 6** Put the armless chair and corner and ottoman closer



**STEP 7** Insert the metal clips to connect other units as pictures show





Note : Dimension tolerance  $\pm 5\%$

