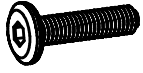


ASSEMBLY INSTRUCTIONS

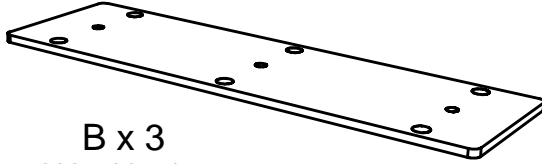
ITEM #: 8000094

Page 01 of 02

HARDWARES



A x 27
M8 x 20mm

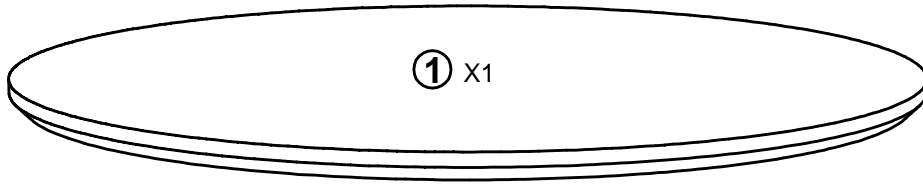


B x 3
330 x 96 x 4mm

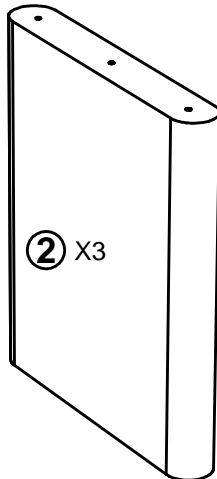


Z x 1
M4

PARTS

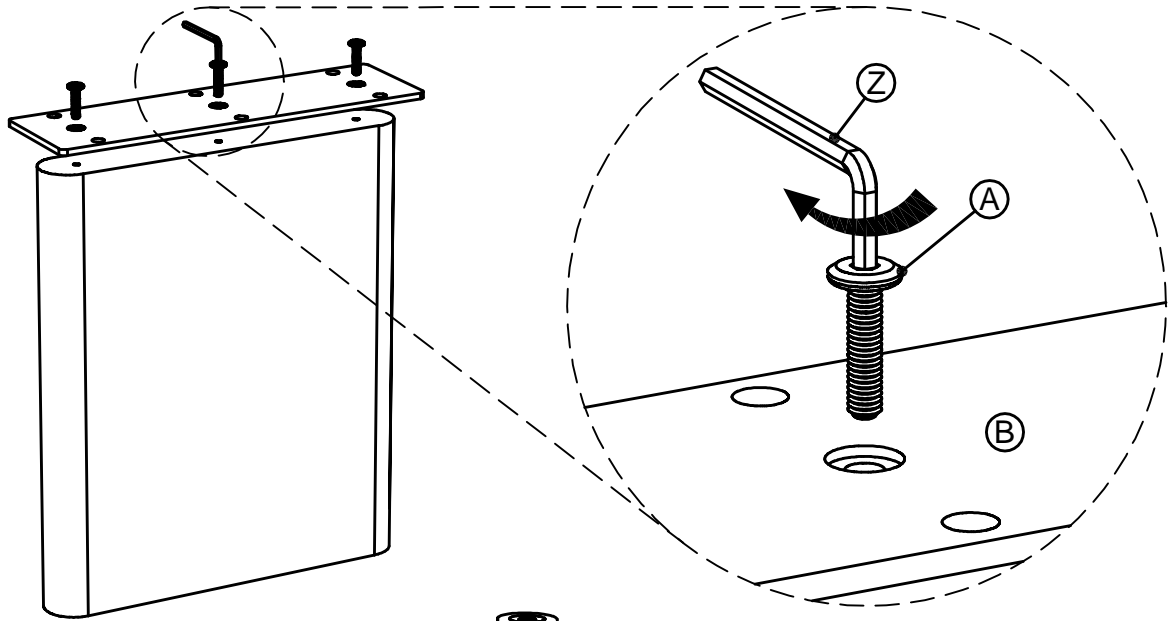


① x1



② x3

1



2

