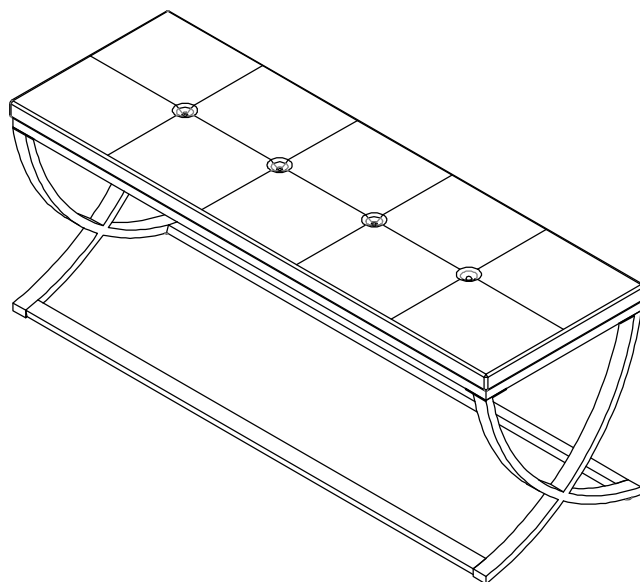


ASSEMBLY INSTRUCTIONS



BENCH

ASSEMBLY INSTRUCTIONS

ASSEMBLY TIPS:

1. Remove hardware from box and sort by size.
2. Please check to see that all hardware and parts are present prior to start of assembly.
3. Please follow attached instructions in the same sequence as numbered to assure fast & easy assembly.

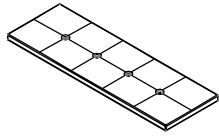
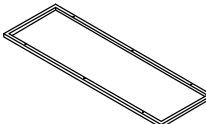
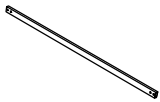



WARNING!

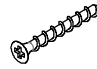



1. Don't attempt to repair or modify parts that are broken or defective. Please contact the store immediately.
2. This product is for home use only and not intended for commercial establishments.

ASSEMBLY TIME 35 MINUTES

PARTS IDENTIFICATION

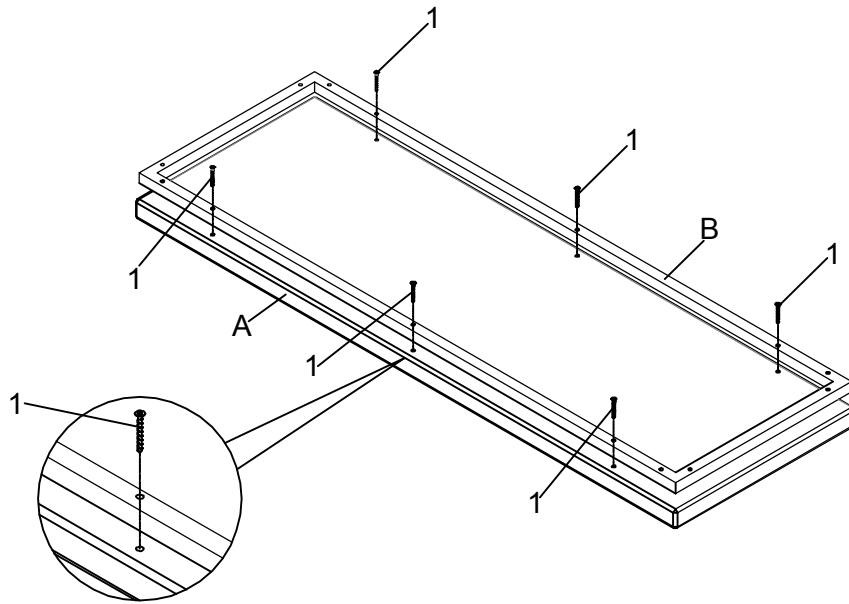
| | | | |
|---|---------------|---|------|
| A | CUSHION |  | 1PC |
| B | CUSHION FRAME |  | 1PC |
| C | CROSSBAR |  | 2PCS |
| D | SIDE |  | 2PCS |

HARDWARE IDENTIFICATION

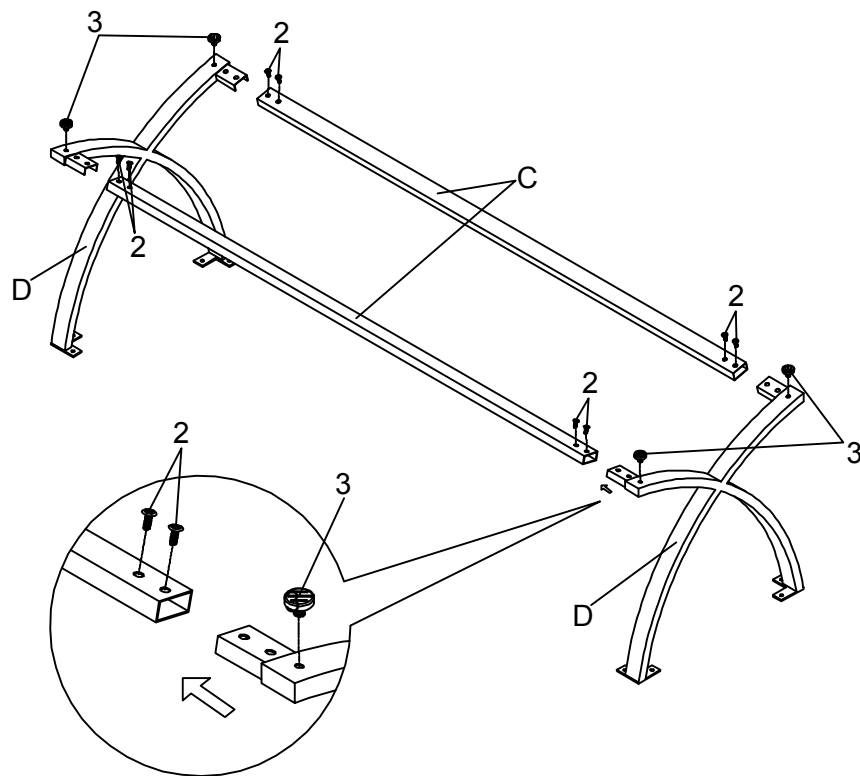
| | | | | | | | |
|---|--------------------------------|---|-------|---|------------------------------|---|------|
| 1 | SCREW (8# x 35mm) |  | 6PCS | 3 | LEVELER (1/4" x 12mm BLK) |  | 4PCS |
| 2 | ALLEN BOLT (1/4" x 12mm SR) |  | 16PCS | 4 | ALLEN WRENCH (4mm) |  | 1PC |

ASSEMBLY INSTRUCTIONS

STEP 1 Do not tighten until each step is completed or instructed.

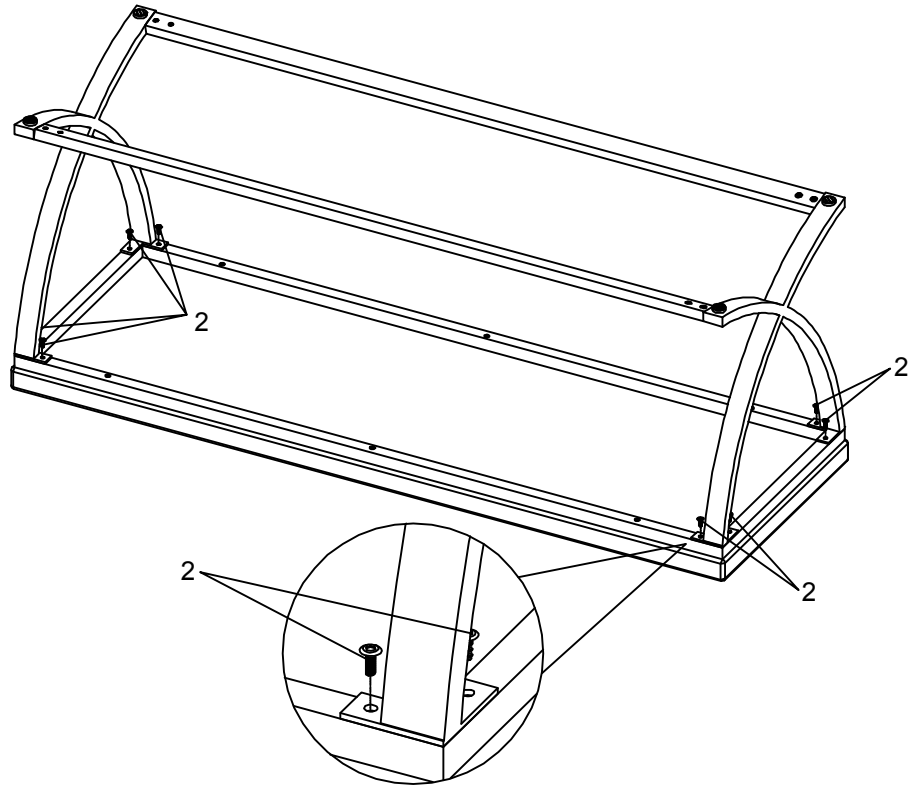


STEP 2

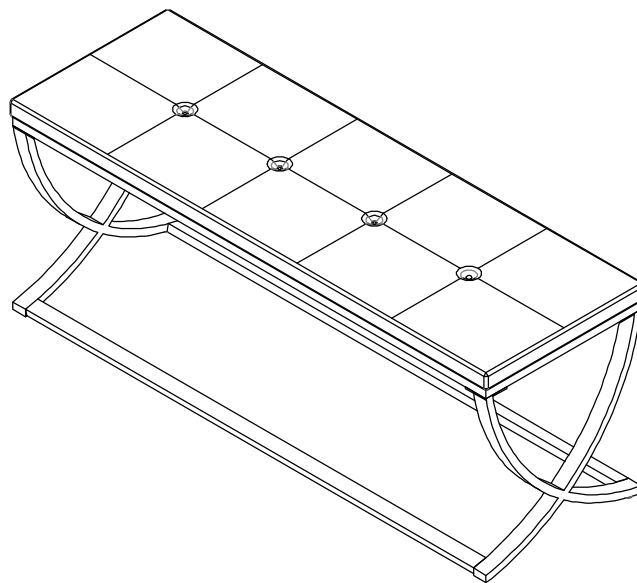


ASSEMBLY INSTRUCTIONS

STEP 3

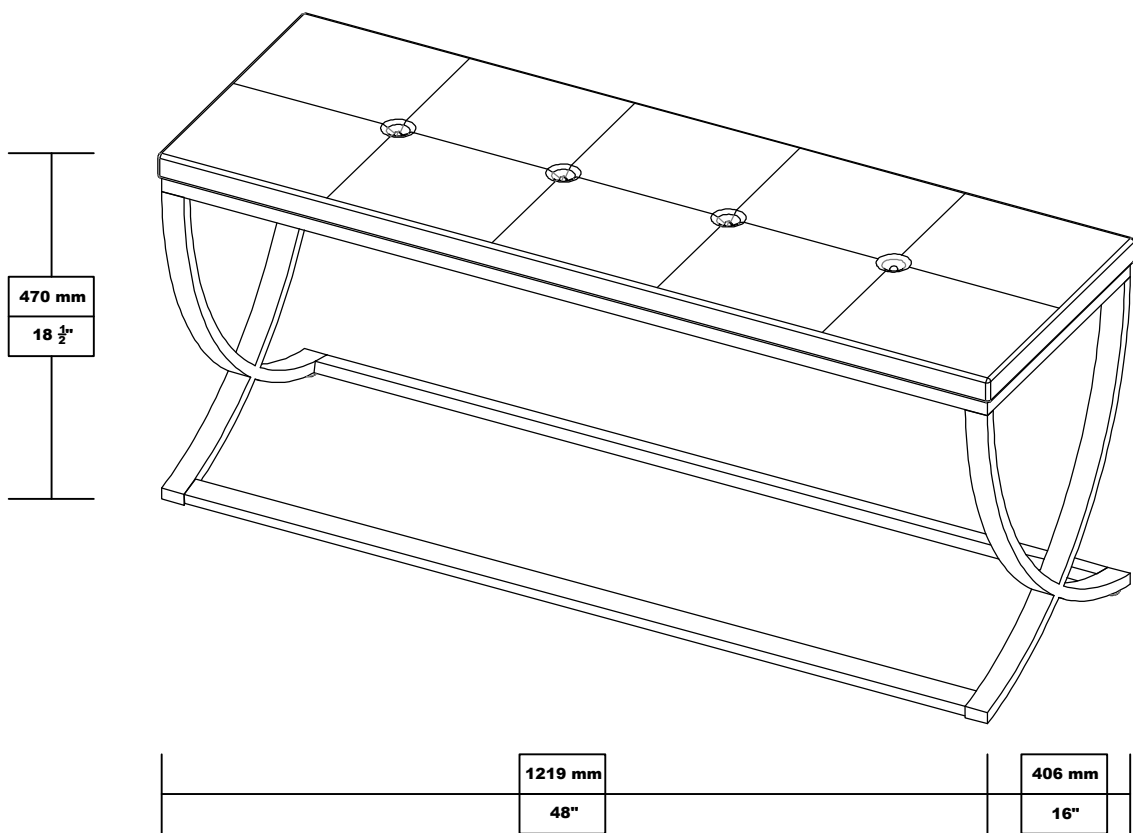


STEP 4 COMPLETE



ASSEMBLY INSTRUCTIONS

| |
|---|
| Product Size : 1219 X 406 X 470 H (MM) |
| Product Size : 48" X 16" X 18 ½" |



Note : Dimension tolerance $\pm 5\%$