



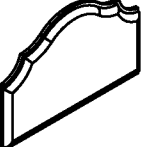
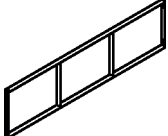
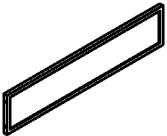
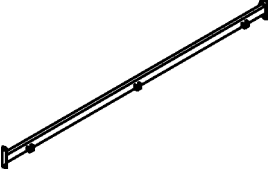












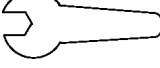
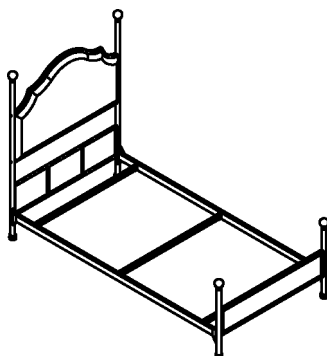


ASSEMBLY INSTRUCTION

CANOPY TWIN SIZE HEADBOARD AND FOOTBOARD CANOPY TWIN SIZE RAILS + REGULAR SLATS

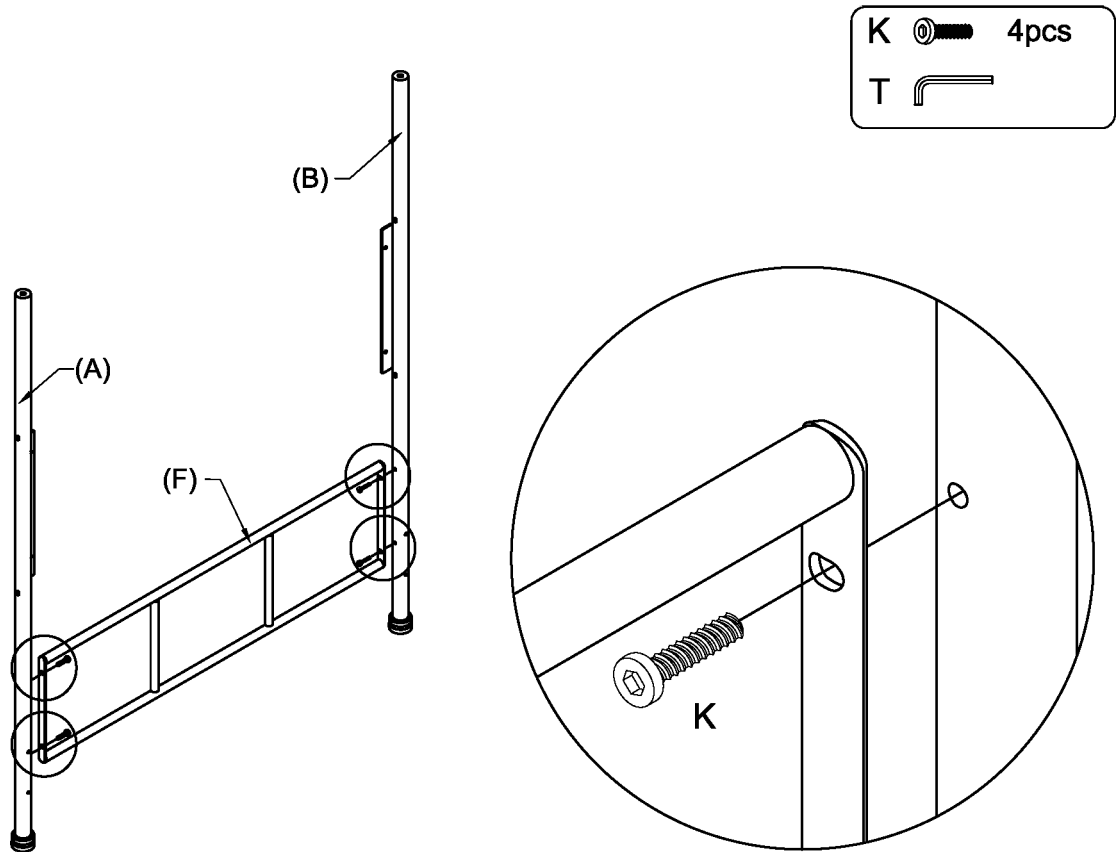
A LEFT LOWER POSTS FOR HB  1pc	B RIGHT LOWER POSTS FOR HB  1pc	C LEFT EXTENSION LEG FOR FB  1pc	D RIGHT EXTENSION LEG FOR FB  1pc	E CUSHION FOR HB  1pc
F HEADBOARD PANEL  1pc	G FOOTBOARD PANEL  1pc	H SIDE RAILS  2pcs	I SLATS  3pcs	J FINIAL  4pcs
K BOLT 1/4",16MM  4pcs	L BOLT 1/4",22MM  8pcs	M BOLT 1/4",38MM  4pcs	N BOLT 1/4",44MM  8pcs	O BOLT 1/4",51MM  2pcs
P BOLT M4,17mm  4pcs	Q WASHER ø16mm  20pcs	R FLAT WASHER ø12mm  4pcs	S NUT 4X4MM  6pcs	T ALLEN WRENCH 4X4MM  1pc
U WRENCH 11.3MM  1pc				



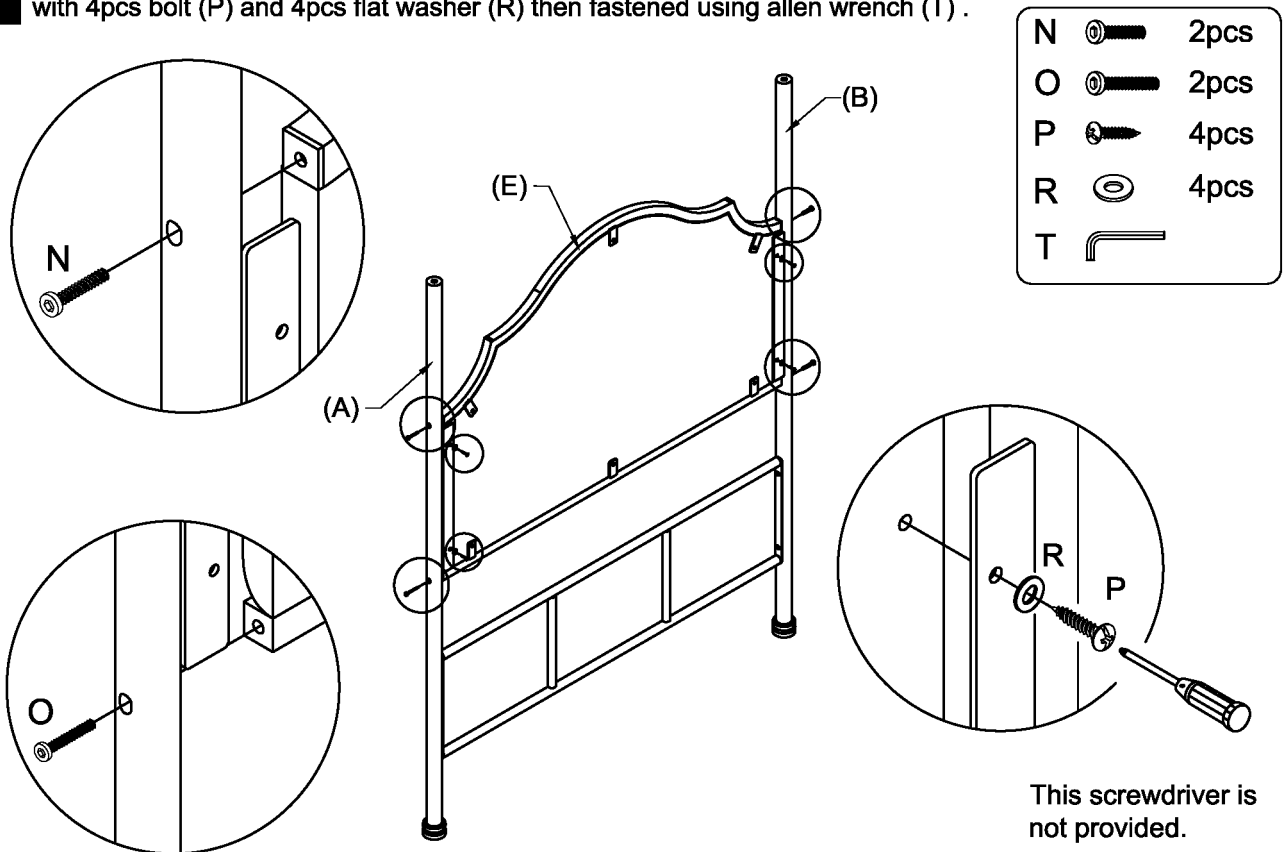
This page lists all the contents included in the box. Please take the time to identify the hardware as well as the individual components to this product. As you unpack and prepare for assembly, place the contents on a carpeted or padded area to protect them from damage.

1

Assemble the left lower posts (A) and the right lower posts (B) to the headboard panel (F) with 4pcs Bolt (K) then fastened using allen wrench (T).

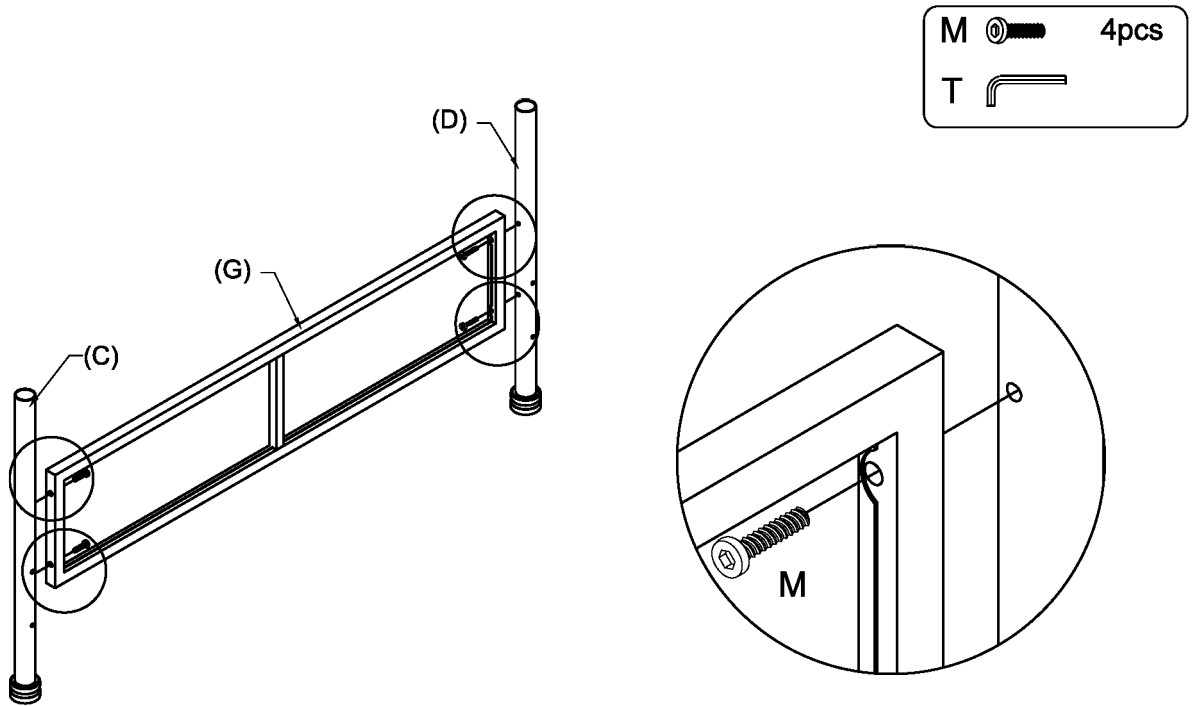
**2**

Assemble the cushion (E) to the left lower posts (A) and the right lower posts (B) with 2pcs bolt (N) , 2pcs bolt (O) with 4pcs bolt (P) and 4pcs flat washer (R) then fastened using allen wrench (T) .



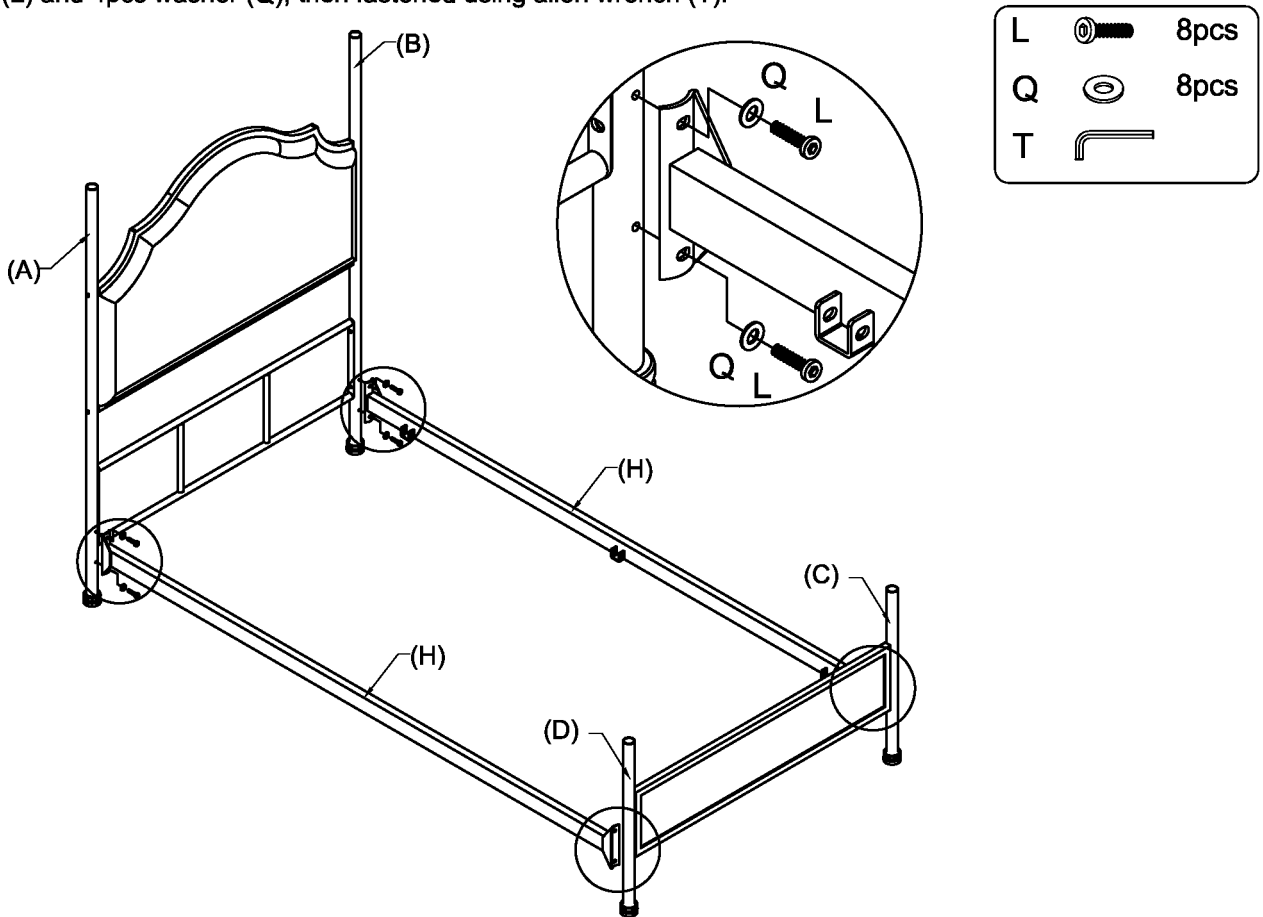
3

Assemble the left extension leg (C) and the right extension leg (D) to the footboard panel (G) with 4pcs bolt (M) then fastened using allen wrench (T).



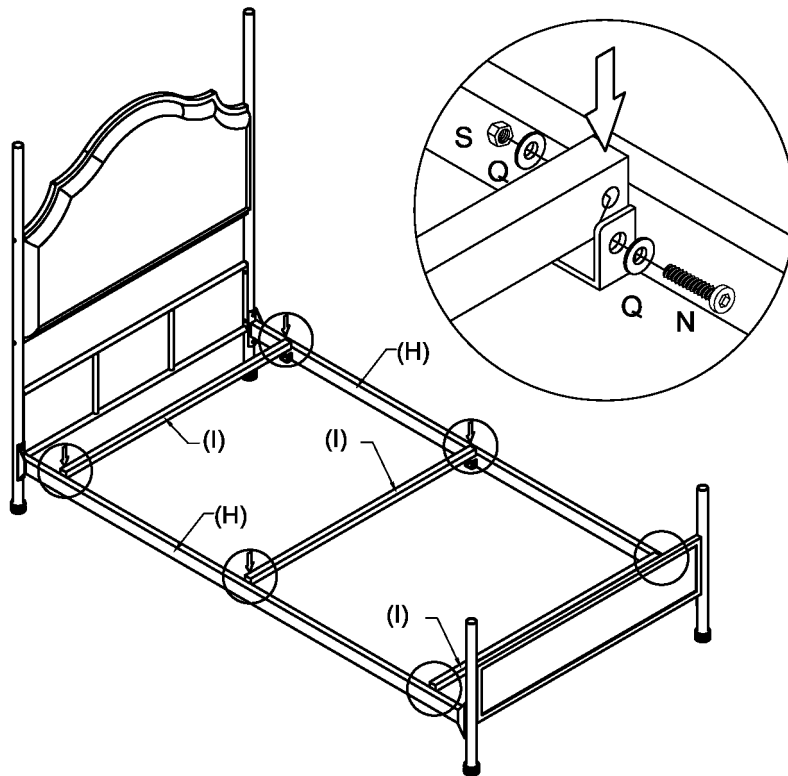
4

Assemble the side rails (H) to the left lower post (A) and the right lower post (B) with 4pcs bolt (L) and 4pcs washer (Q); assemble the side rails (H) to the left extension leg (C) and the right extension (D) with 4pcs bolt (L) and 4pcs washer (Q); then fastened using allen wrench (T).



5

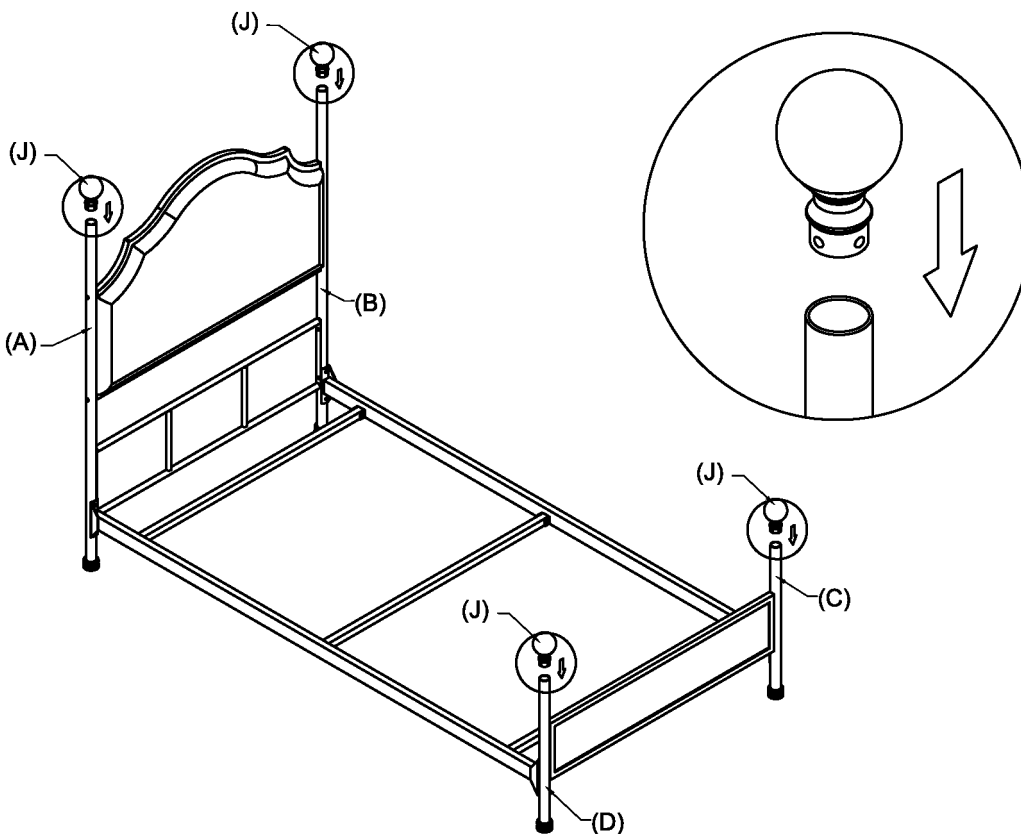
Assemble the slats (I) to the side rails (H) with 6pcs bolt (N) , 12pcs washer (Q) ,6pcs nuts (S), then fastened using allen wrench (T) and wrench (U).



N		6pcs
Q		12pcs
S		6pcs
T		
U		

6

Assemble the finial (J) to left lower posts (A) and right lower posts (B),left extension leg (C) and right extension leg (D).



Cleaning & Care

Treat surface with care. Surface is resistant to scratches but is not scratch resistant. Clean surfaces with a dry or damp soft cloth. Do not use abrasive cleaners. Hardware may loosen over time. Periodically check that all connections are tight.