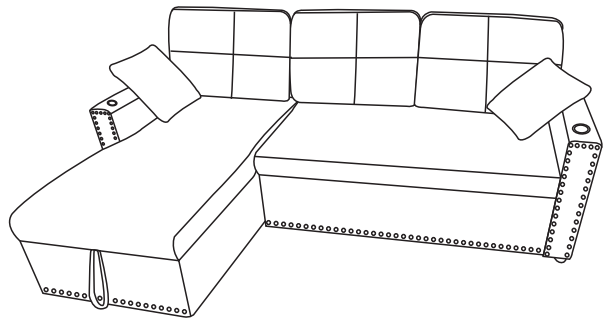
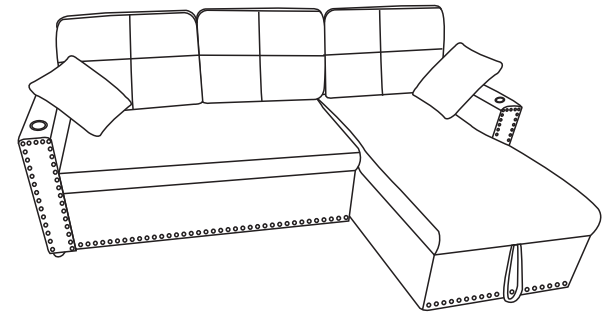


ASSEMBLY INSTRUCTION

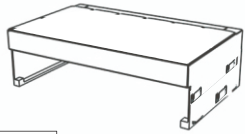


-L



-R

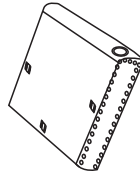
PARTS LIST



A X1



B X1



C X1



D X1



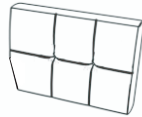
E X1



F X1



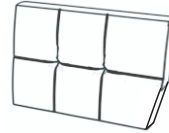
G X1



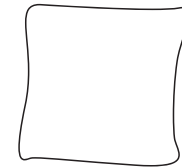
H X1



I X1



J X1



K X2

HARDWARE LIST



1 X4



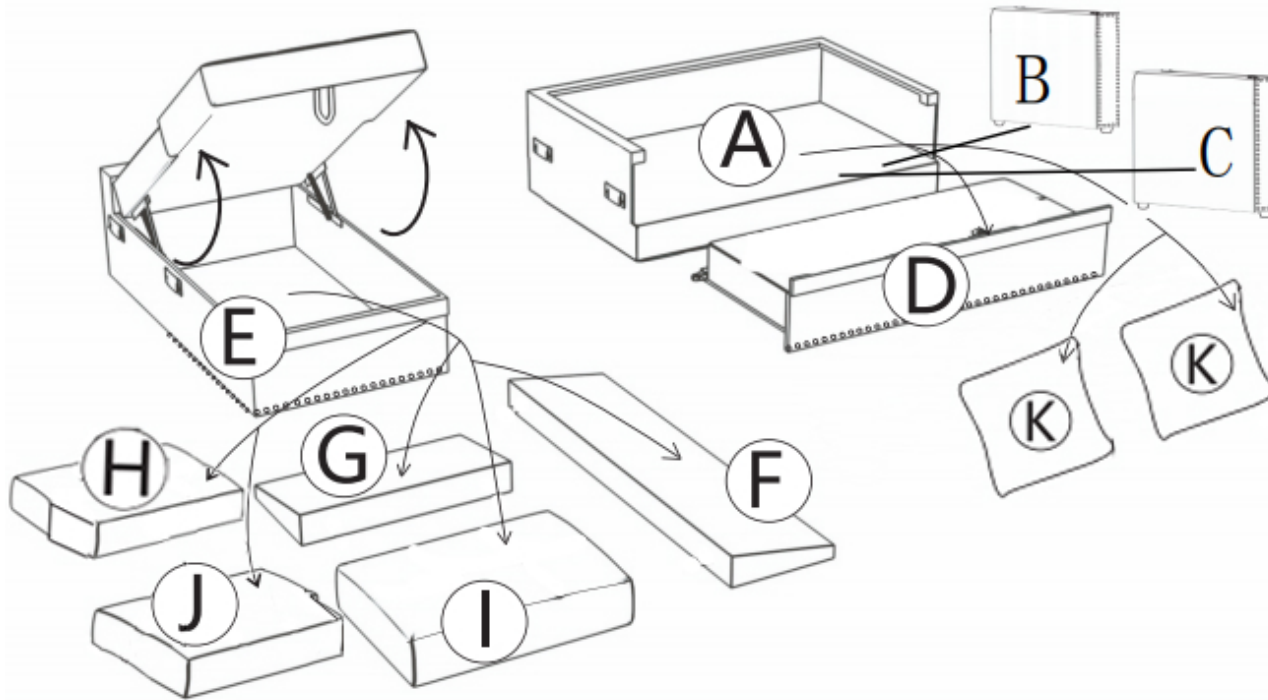
2 X4



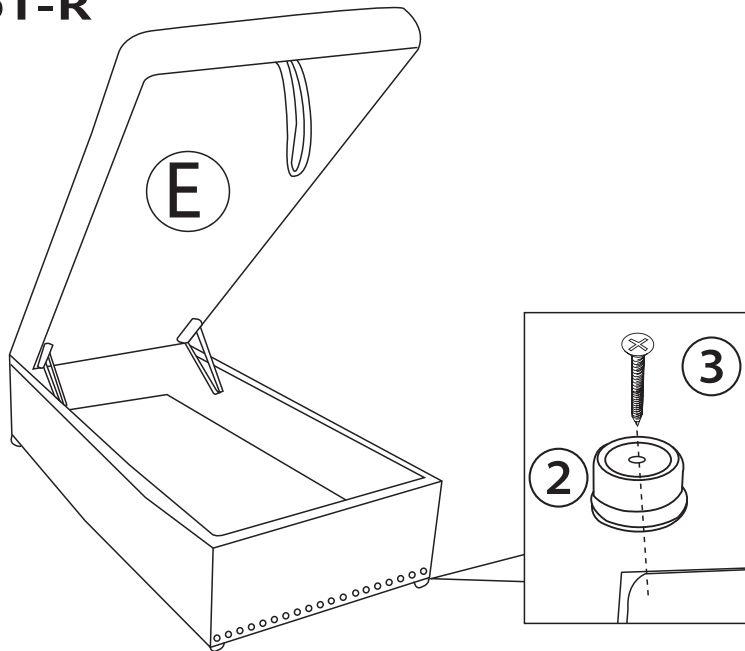
3 X4



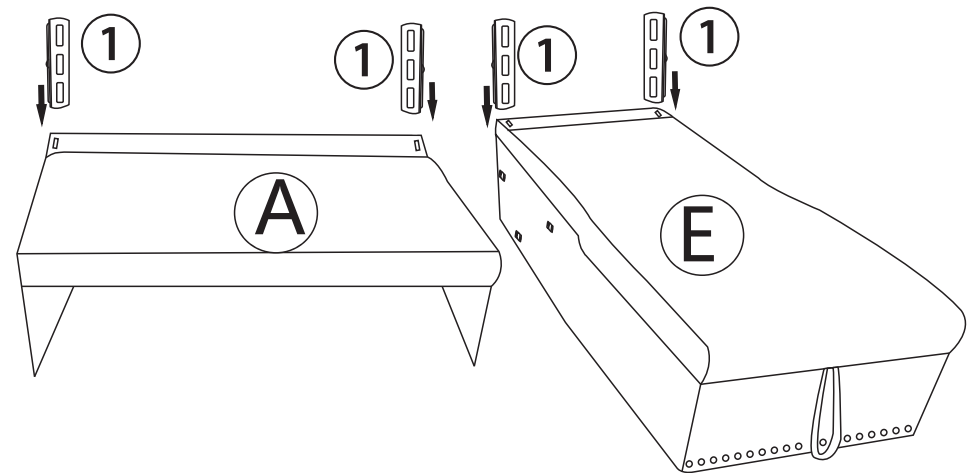
4 X1



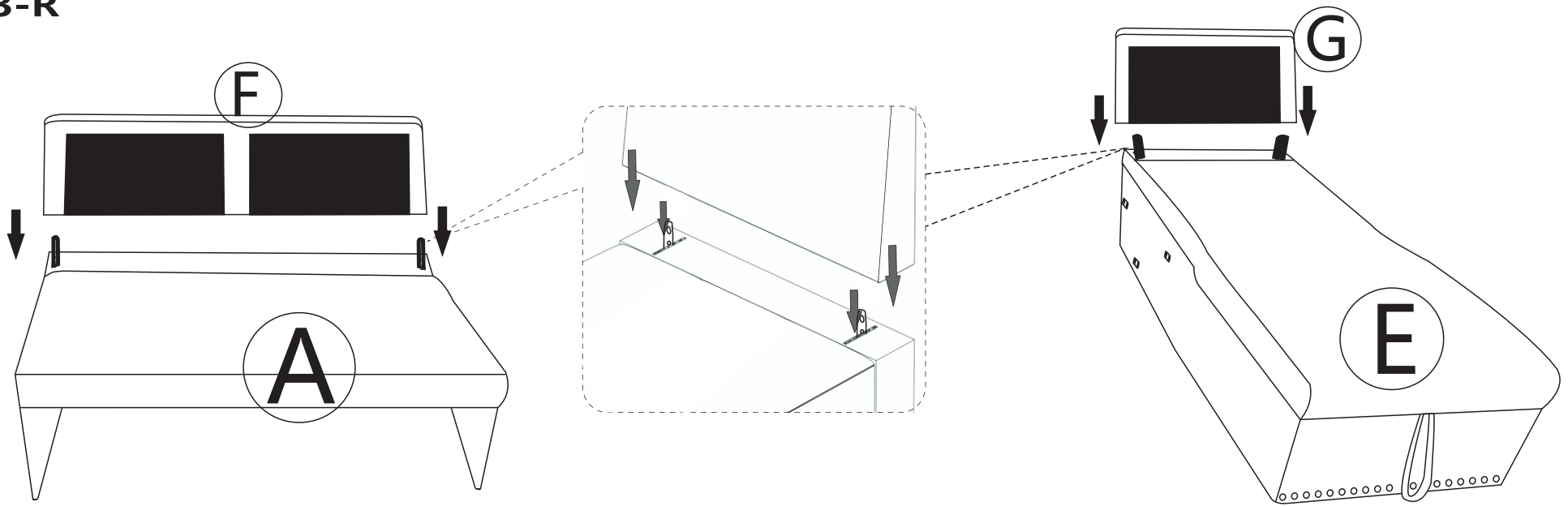
Step1-R



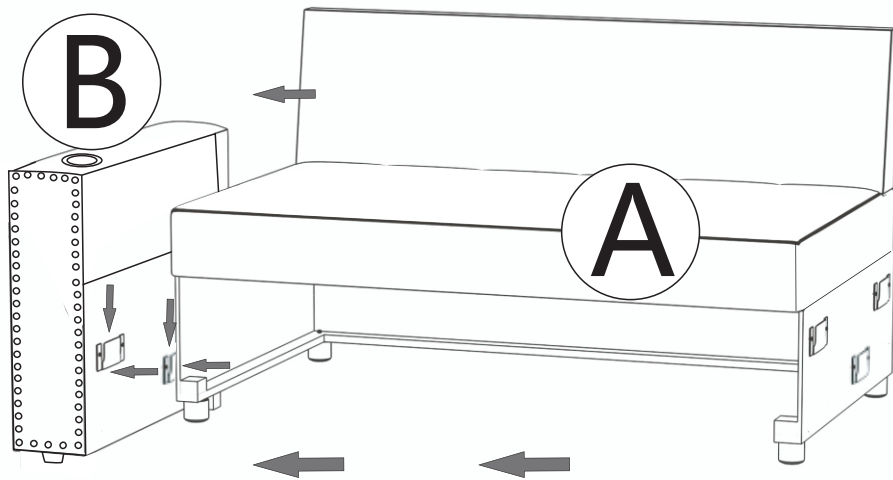
Step2-R



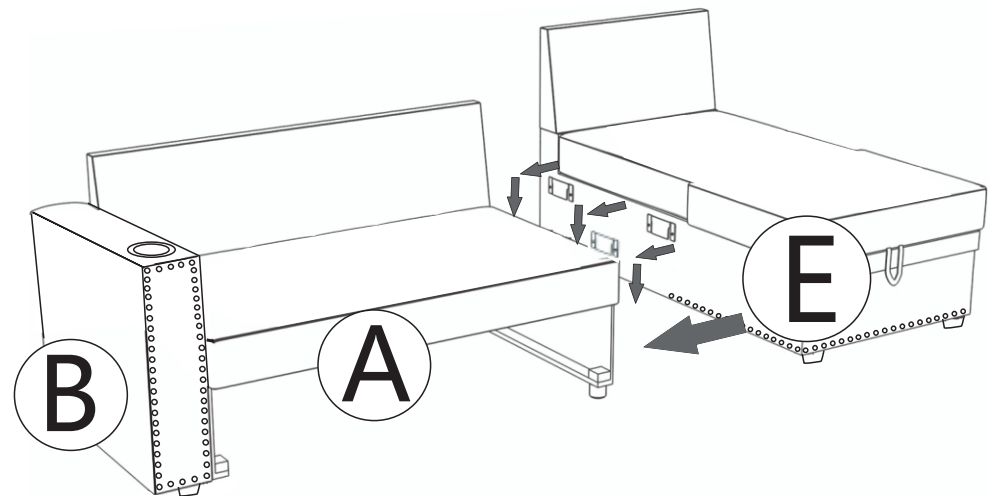
Step3-R



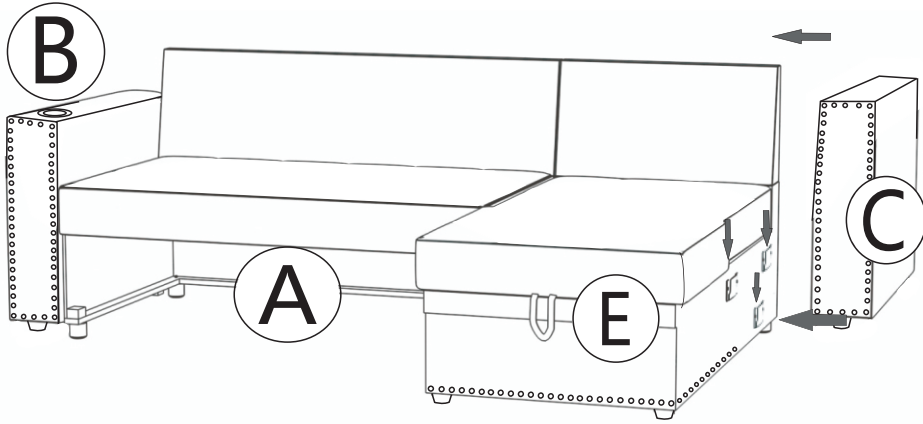
Step4-R



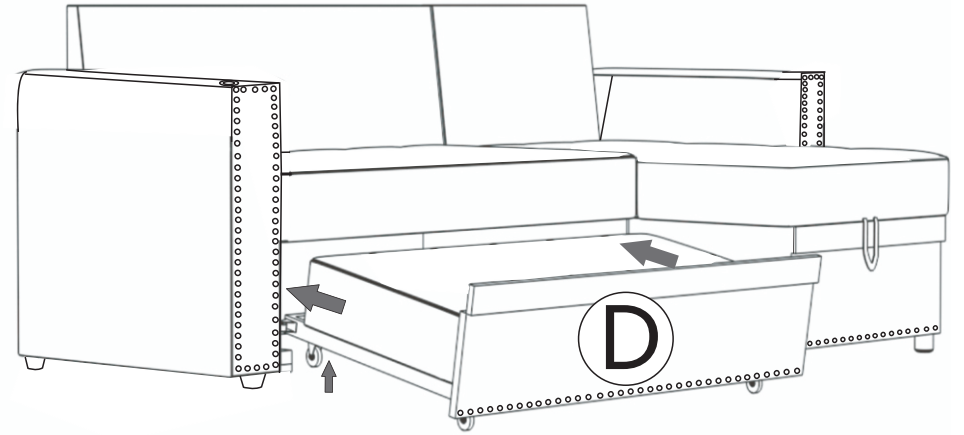
Step5-R



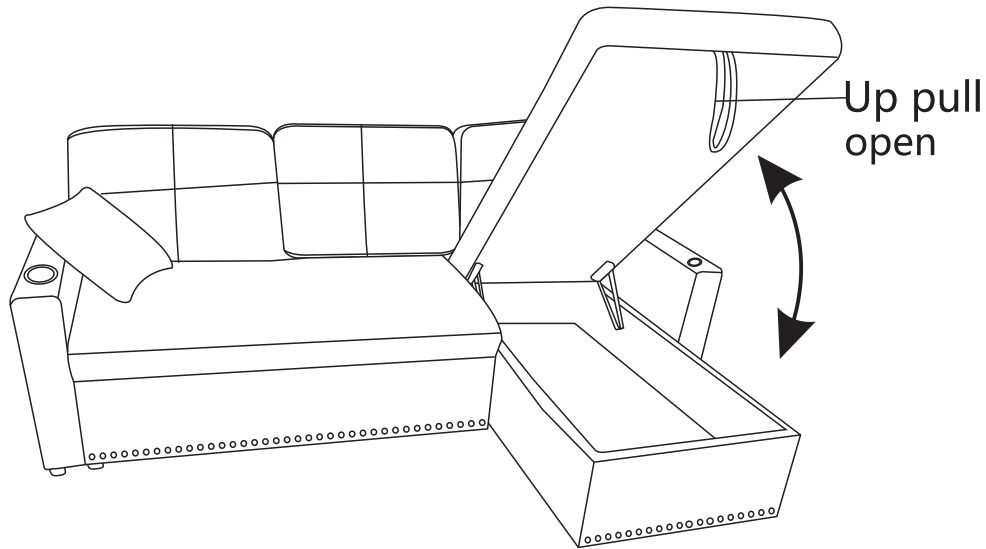
Step6-R



Step7-R



Step8-R



Step9-R

