



# **ROUND TABLE**

# SAFETY & WARNINGS

## Warning

- Do not place very hot or very cold items on the glass surface(s) unless adequately thick table mats are used to prevent such items from coming into contact with the glass.
- Do not sit or stand upon the glass surface(s).
- Do not use the glass as a chopping surface. Do not strike the glass with hard or pointed items.
- When cleaning glass panels use a damp cloth or leather with washing up liquid or soft soap if necessary, do not use washing powders or any other substance containing abrasives since these substances scratch glass.

## Safety Information

- Check you have all the components and tools listed on pages 3.
- Remove all fittings from the plastic bags and separate them into their groups.
- Keep children and animals away from the work area small parts could choke if swallowed.
- Make sure you have enough space to layout the parts before starting.
- Do not stand or put excessive weight on the product this could cause damage.
- Parts of the assembly will be easier with 2 people.
- Place the product on flat and steady surface during use.
- Assemble on a soft level surface to avoid damaging the unit or your floor.
- Only upon completion of the assembly should all fixing points be fully tightened.

# COMPONENTS



1: Tempered Glass  
Tabletop (x1)



2: Leg (x4)



3: Connector (x1)



A: Screw (x8)



B: Glide (x4)



C: Allen key (x1)



D: Dowel (x4)



E: Nut (x4)



F: Washer (x12)



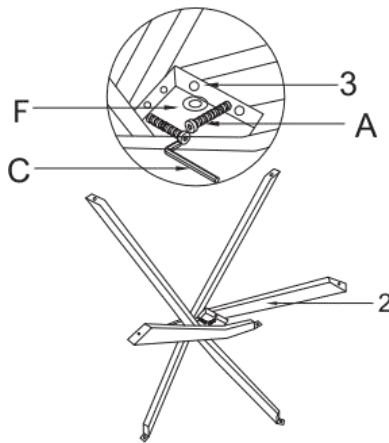
G: Hexagon Socket  
Wrench (x1)

# INSTALLATION

## Step 1

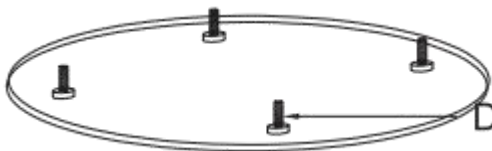
Connect four legs (2) together with screws (A), washers (F) and connector (3) using Allen key (C).

**\*Tips:** Insert the screws and let them half loosen first, then tighten to 100% when you make sure that the legs are in the right place.



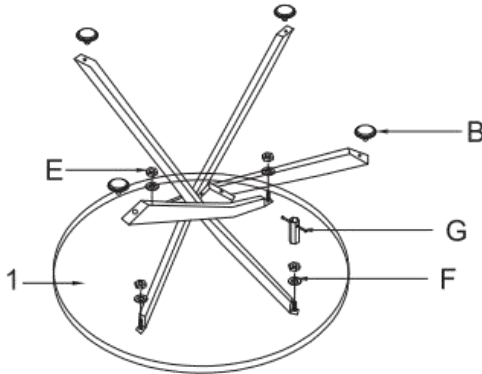
## Step 2

Place tempered glass tabletop (1) upside down on a flat and non-abrasive surface. Insert dowels (D) into the holes of tempered glass tabletop (1).



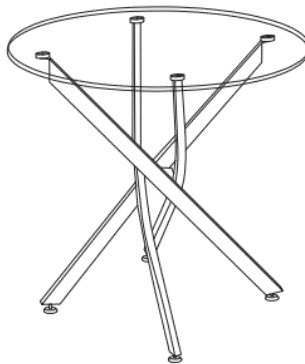
**Step 3**

Attach four legs (2) to the tempered glass tabletop (1) with nuts (E) and washers (F) by using hexagon socket wrench (G). Install glides (B) to the bottom of four legs (2).



**Step 4**

Put the table face up carefully.



## CLEANING & CARE

- Wipe regularly with clean water and a damp, clean, soft white cloth.
- General cleaning can be done as needed with a mild detergent and water solution.
- Always rinse with clean water and dry. For heavy soiling, dampen a soft white cloth or soft bristle brush. Use care as scrubbing can damage the surface.
- DO NOT use any cleaners with corrosive ingredients (lye, acids or ammonia).
- This product should not be discarded with household waste. Take to your local authority waste disposal centre.