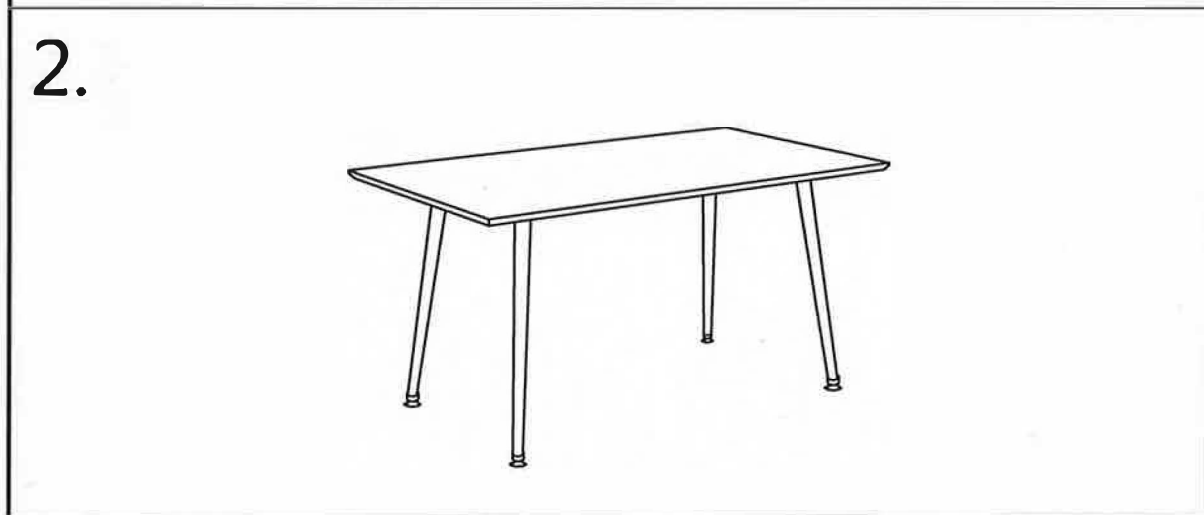
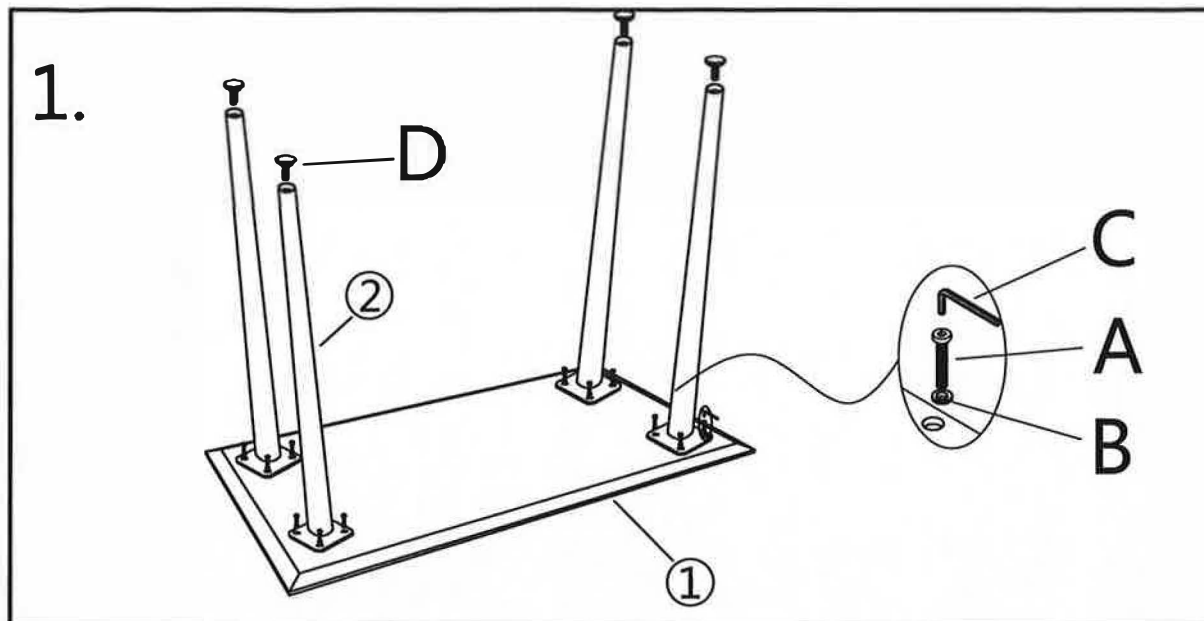


# ASSEMBLY INSTRUCTION

1/1



①		1200×800×25MM	×1	1/1
②			×4	1/1
A		M8×20MM	×16	1/1
B		M8×15MM	×16	1/1
C		M5	×1	1/1
D			×4	1/1