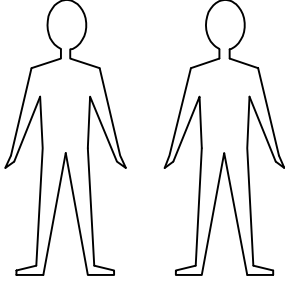


# ASSEMBLY INSTRUCTION



## CAUTION

1. This product requires 2 people for assembling.

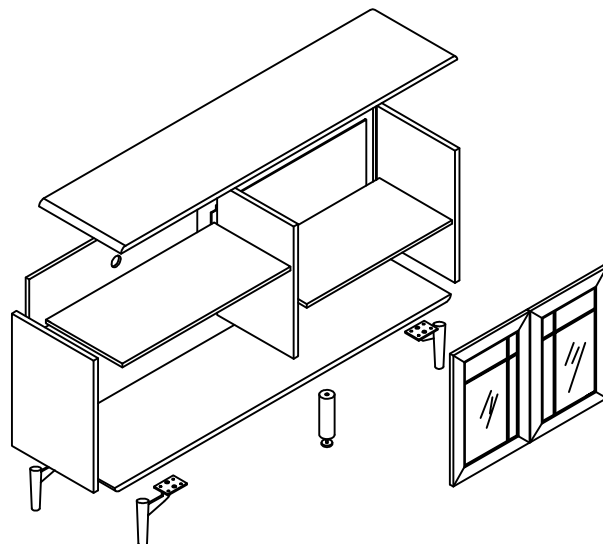


2. Assembling process should proceed on carpets, rug or empty cartons to prevent scratches or damages.

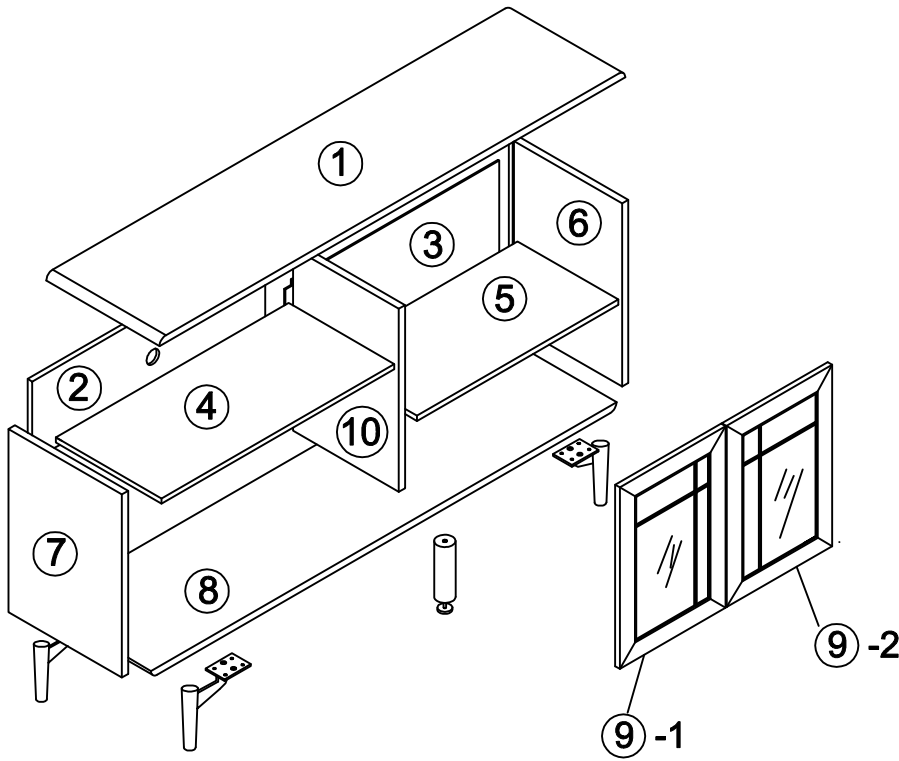
3. Make sure the product is completely assembled before using. If there have any hardware or components unfixed, do not use until you get them and assembled properly.

4. There have small components in the construction of this product. The loose components should be kept away from Children and pets to avoid any choking hazard.

5. There have plastic bags or thin films as packing material of this product, please keep away from children or pets to avoid suffocation

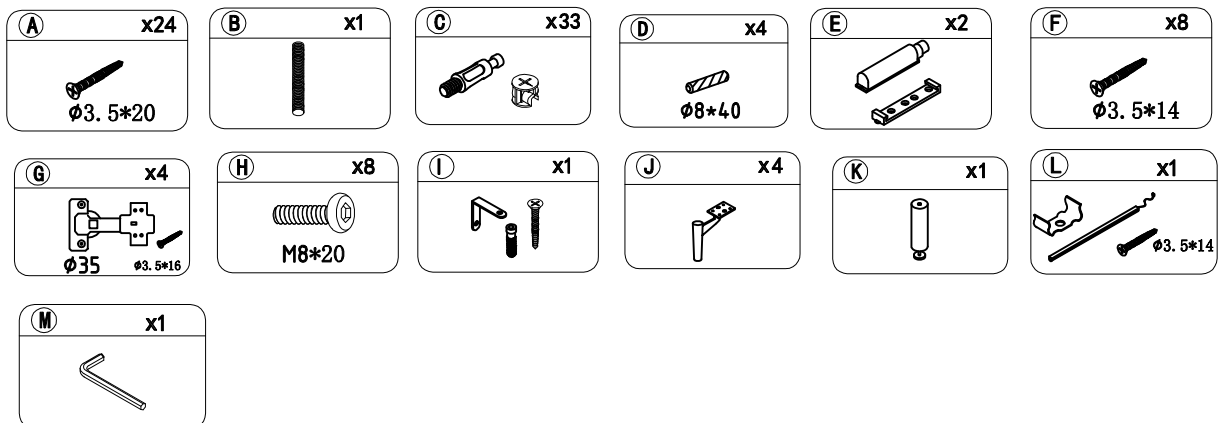


### Parts supplied for assembly

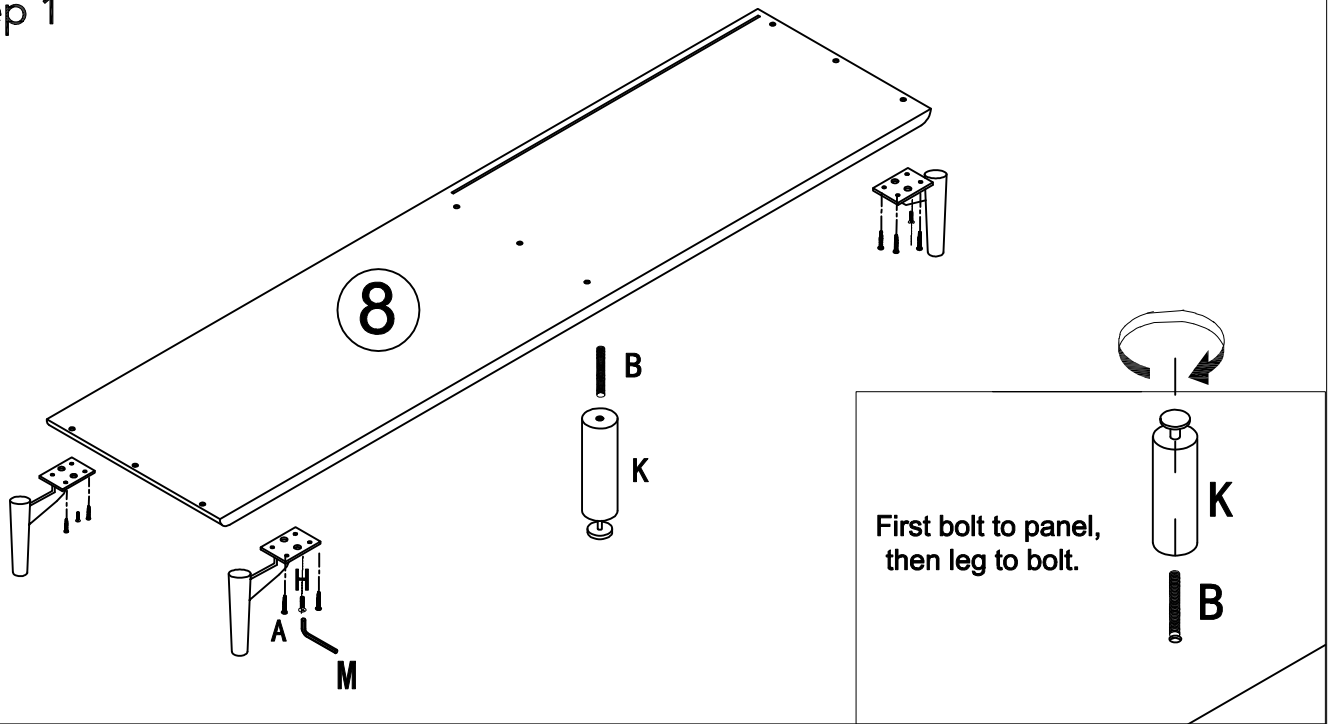


PART NO.	QTY
① x1	1
② x1	1
③ x1	1
④ x1	1
⑤ x1	1
⑥ x1	1
⑦ x1	1
⑧ x1	1
⑨ x2	2
⑩ x1	1

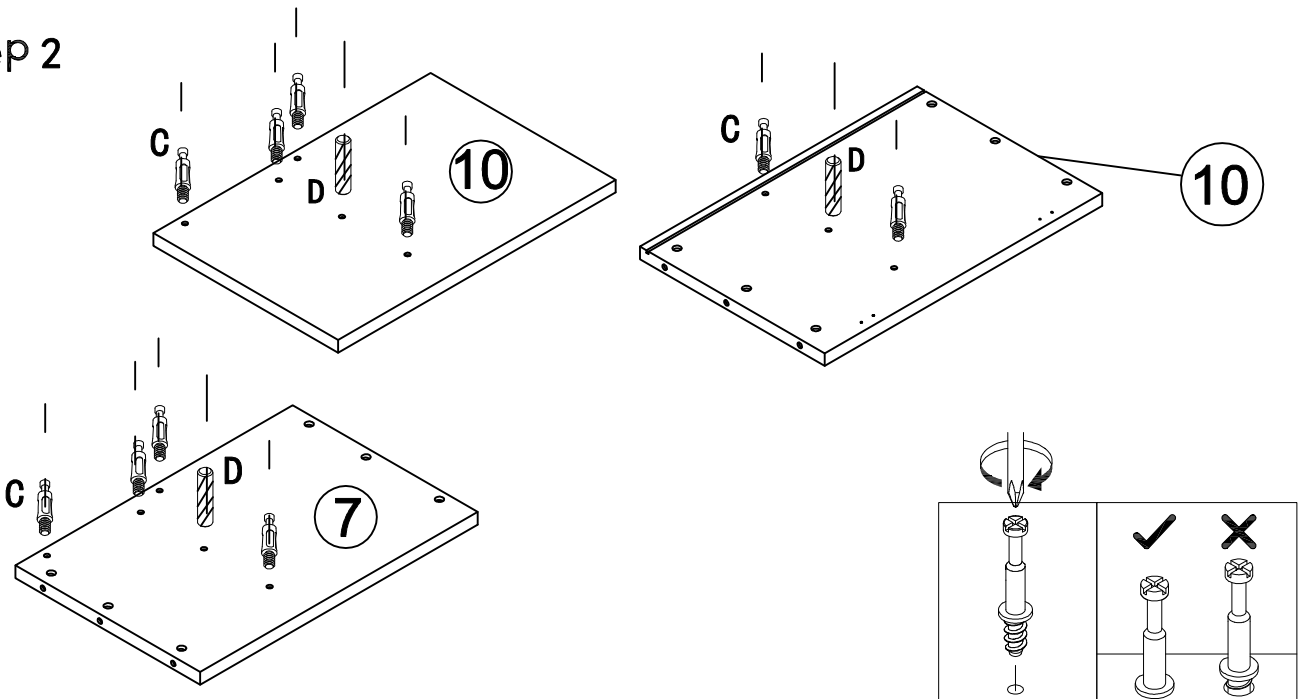
### Hardware supplied for assembly



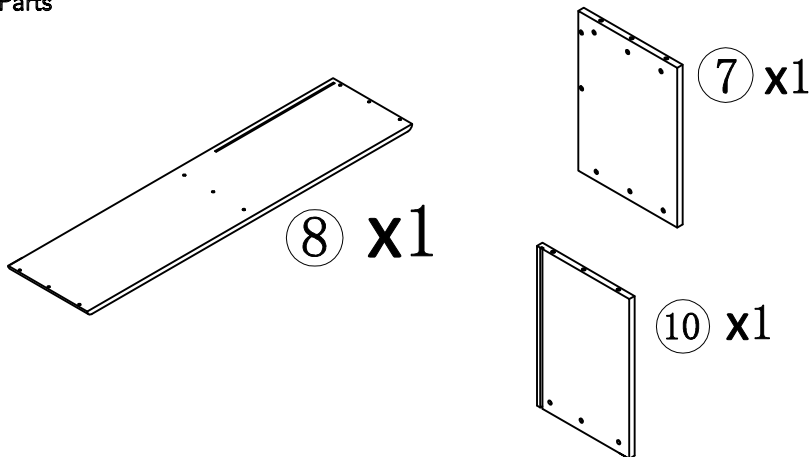
Step 1



Step 2



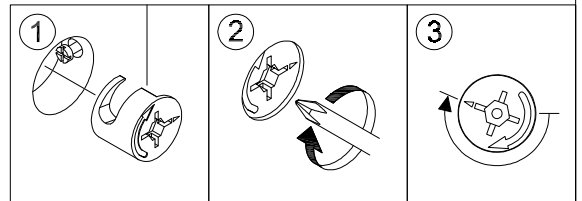
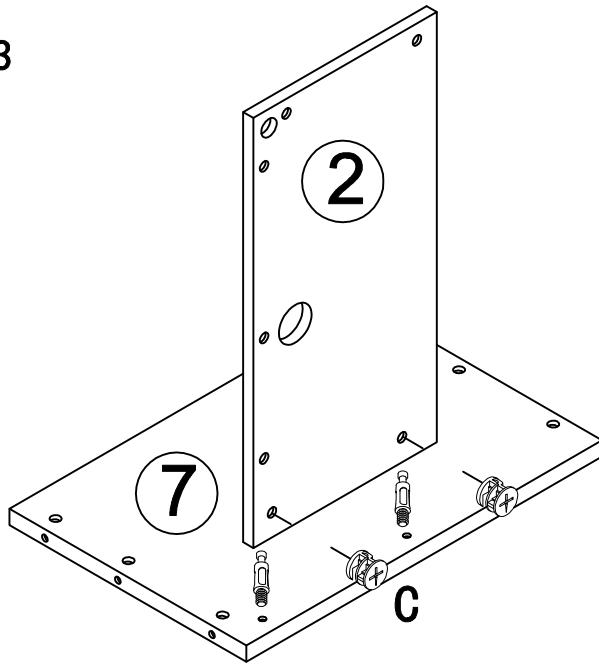
Parts



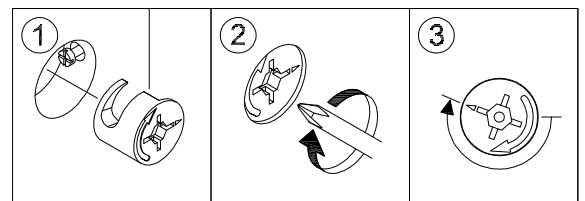
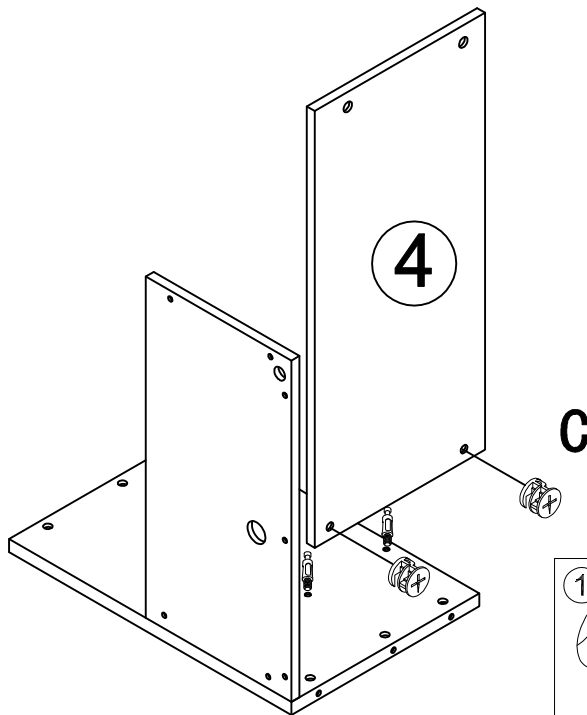
Hardware

(A) x24 φ3.5*20	(B) x1	(C) x33
(D) x4 φ8*40	(H) x8 M8*20	(J) x4
(K) x1	(M) x1	

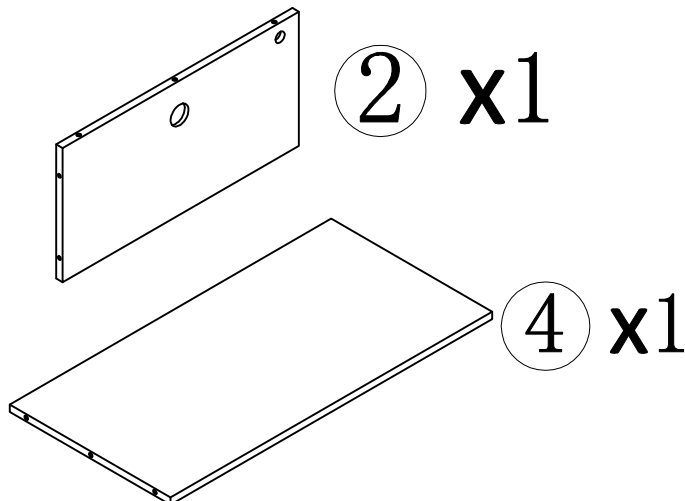
Step 3



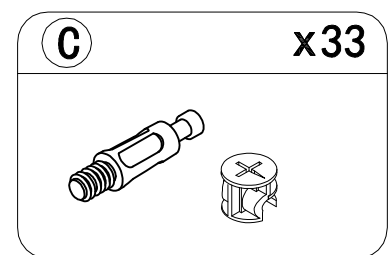
Step 4



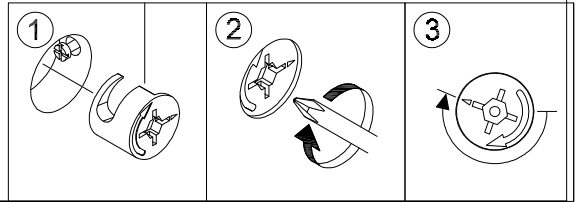
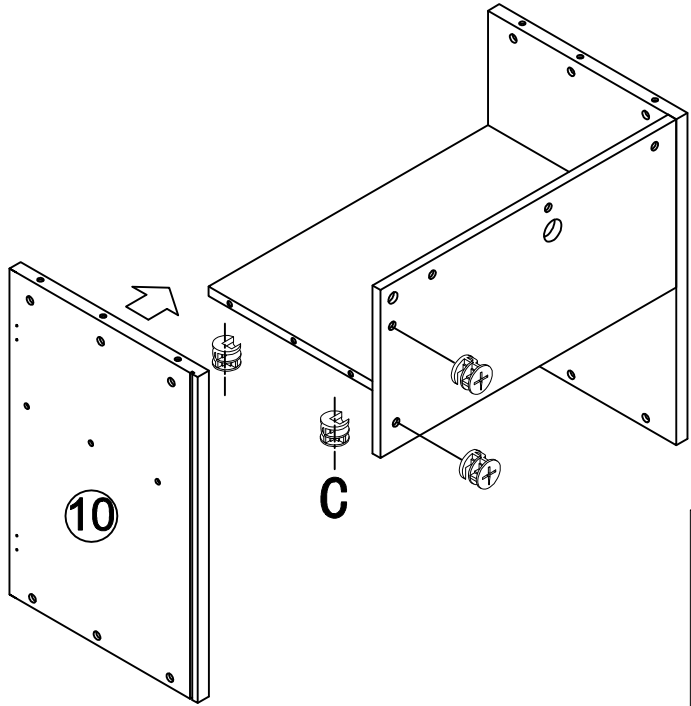
Parts



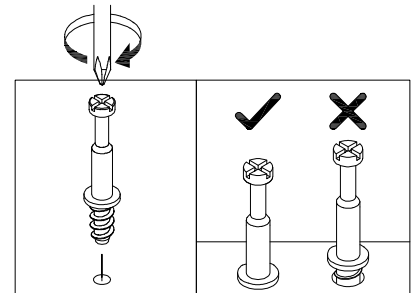
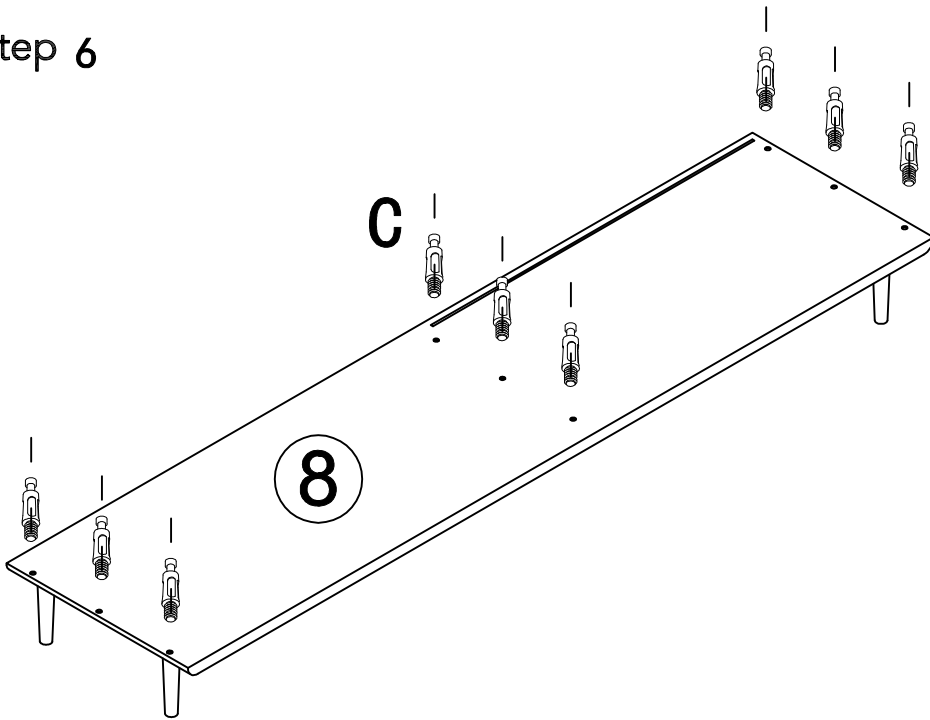
Hardware



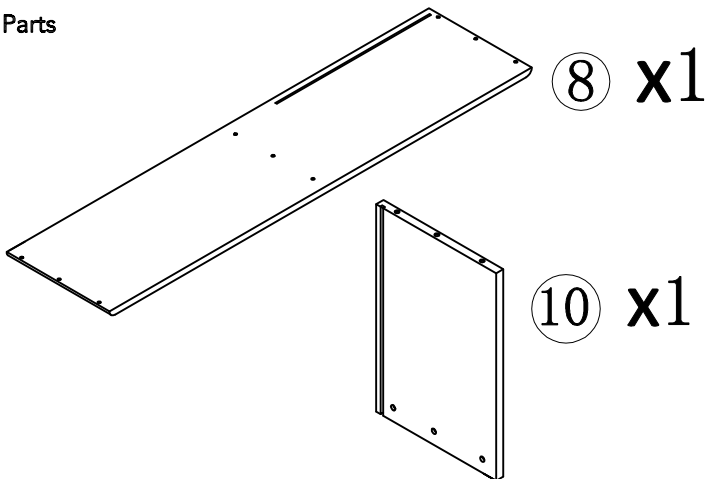
### Step 5



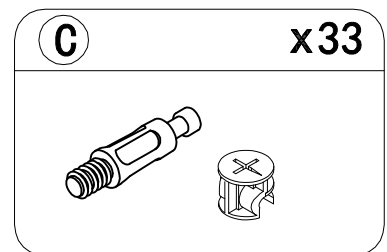
### Step 6



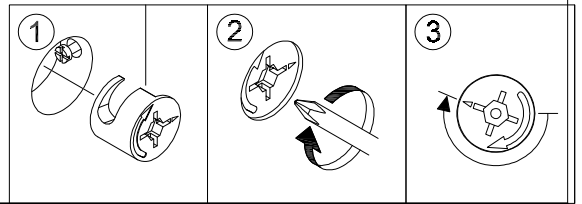
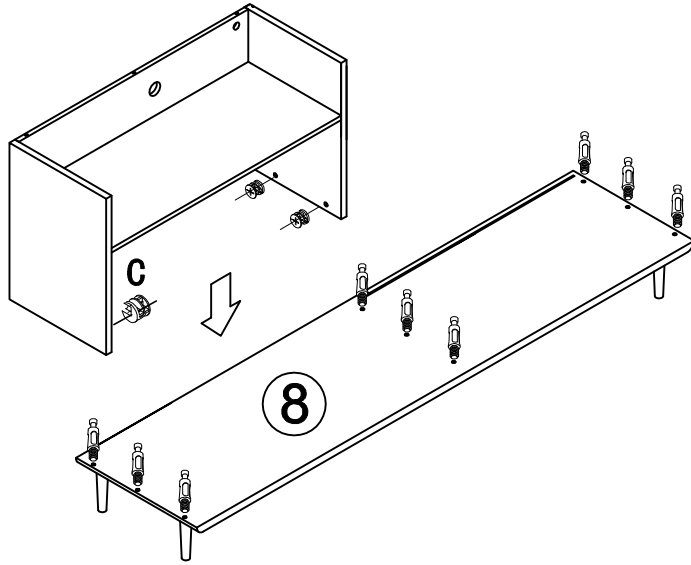
#### Parts



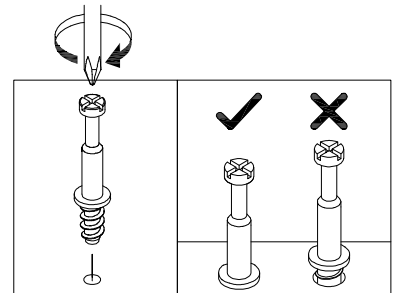
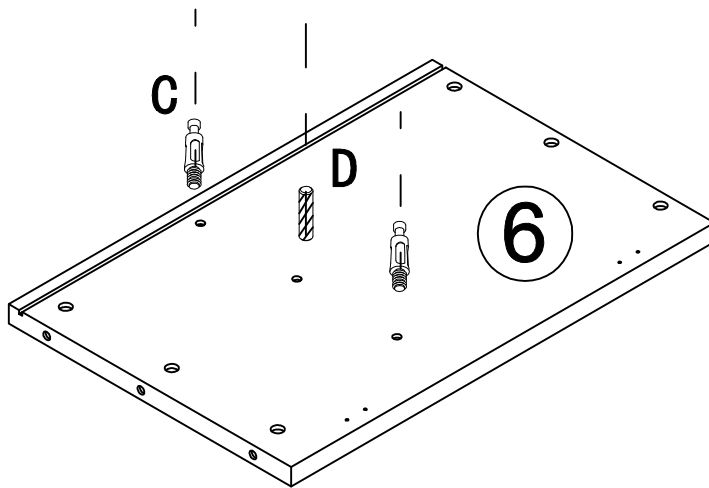
#### Hardware



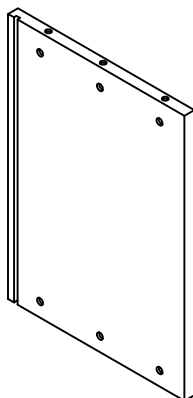
Step 7



Step 8

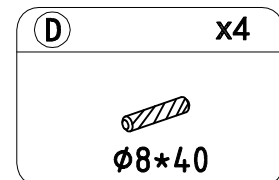
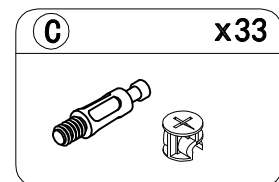


Parts

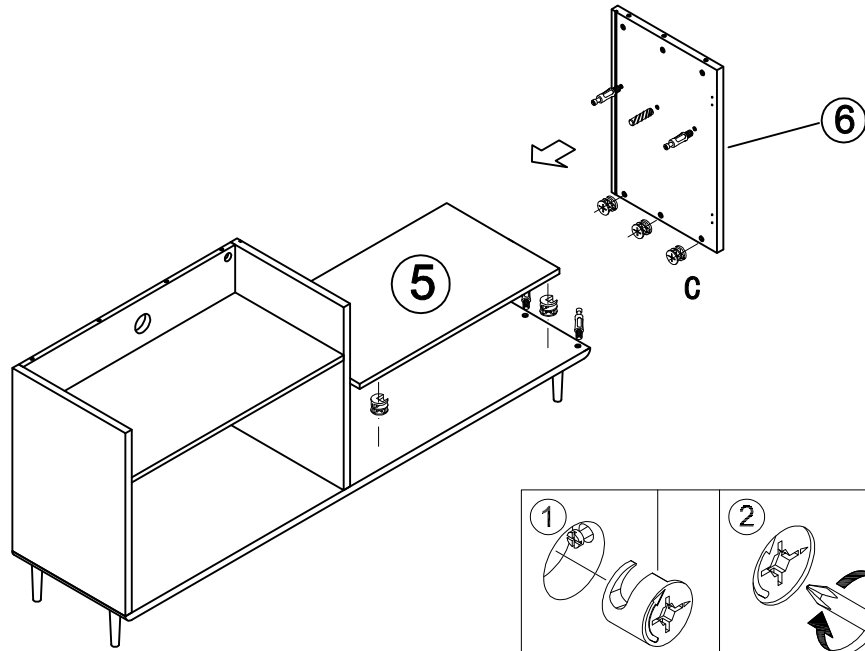


⑥ x1

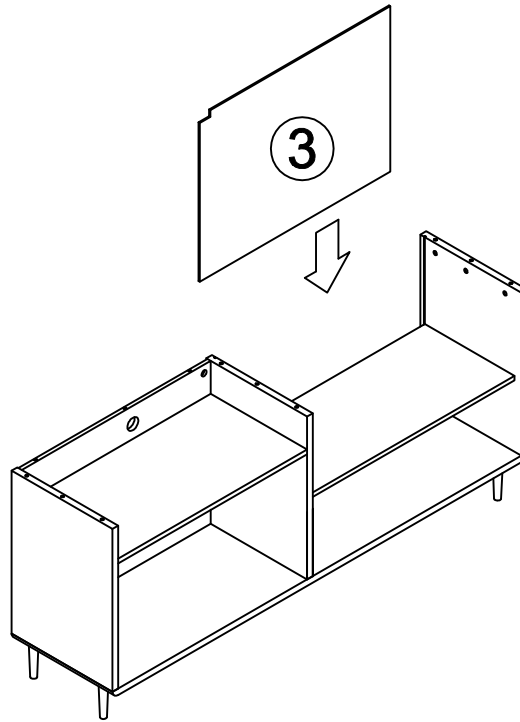
Hardware



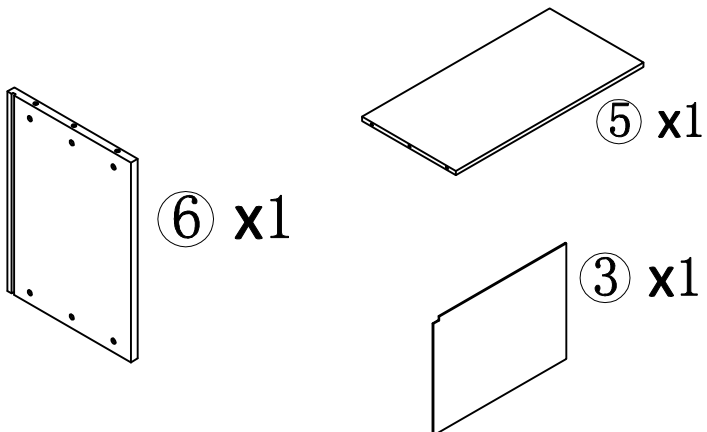
### Step 9



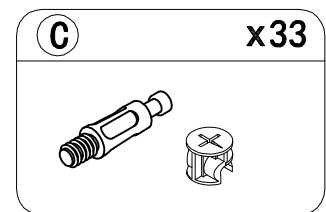
### Step 10



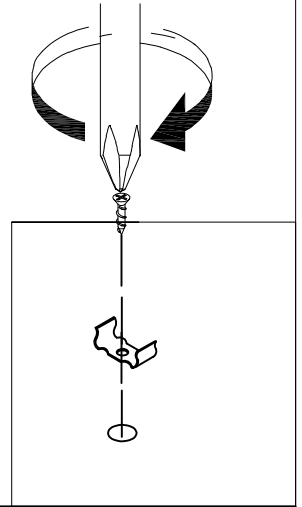
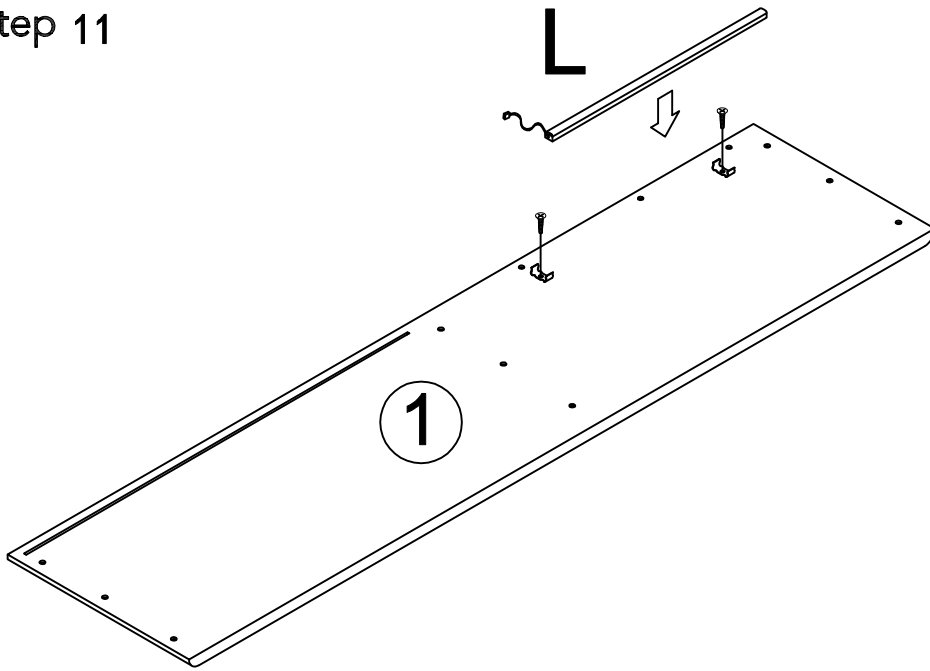
#### Parts



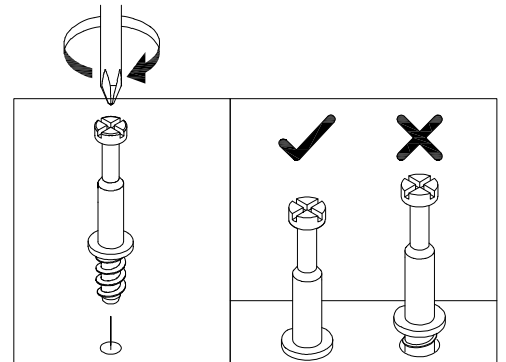
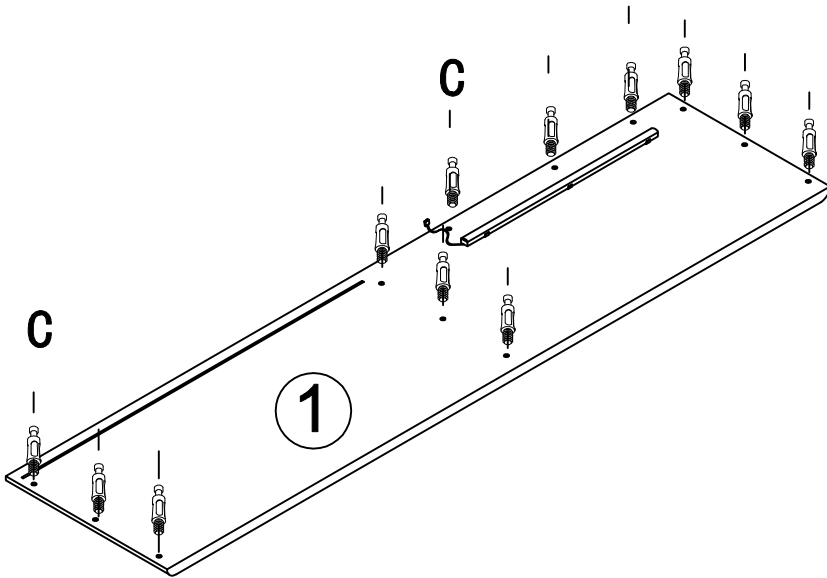
#### Hardware



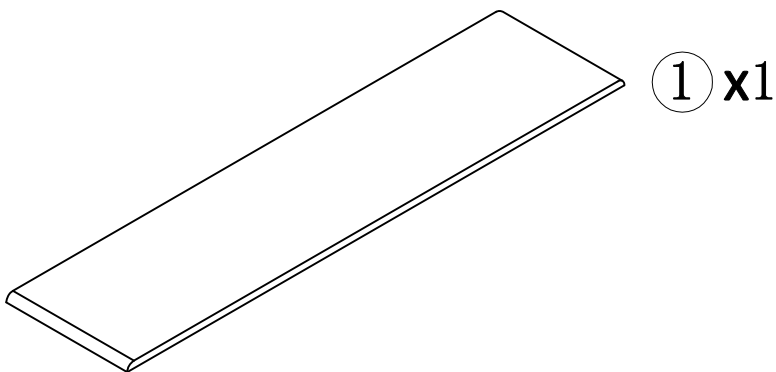
### Step 11



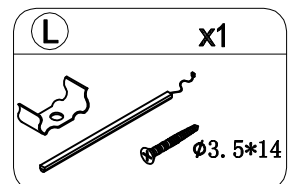
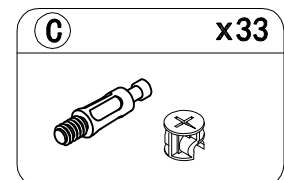
### Step 12



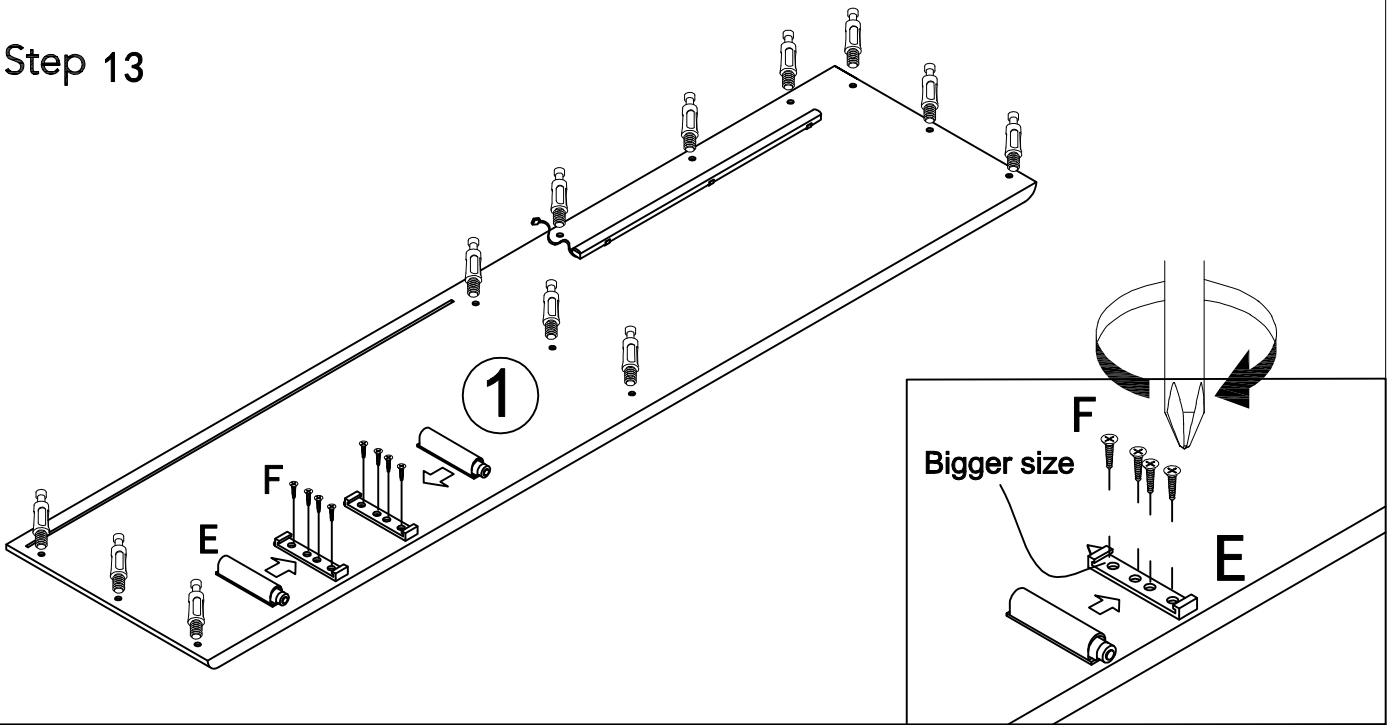
#### Parts



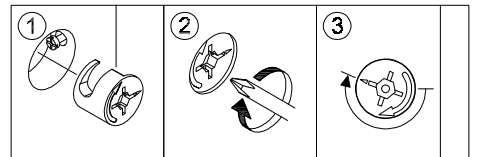
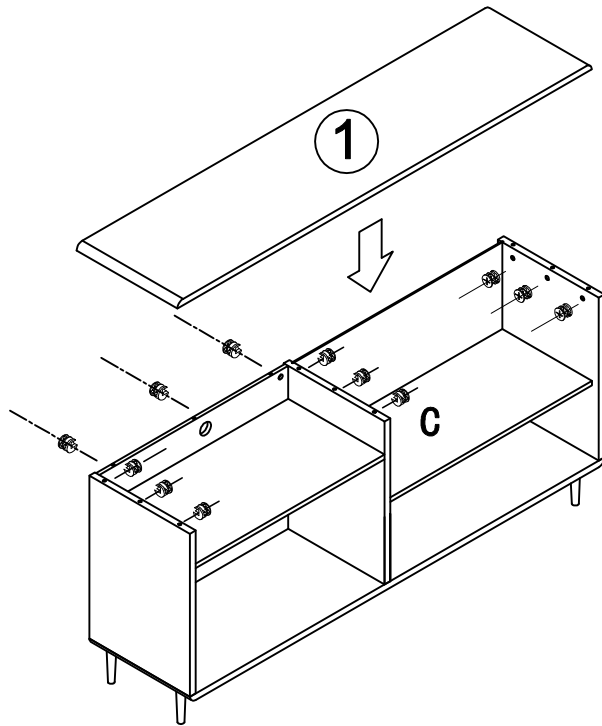
#### Hardware



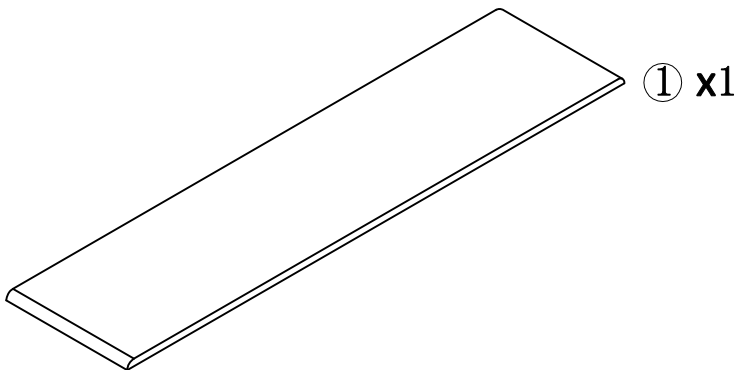
Step 13



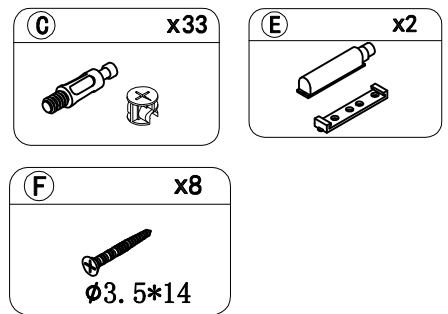
Step 14



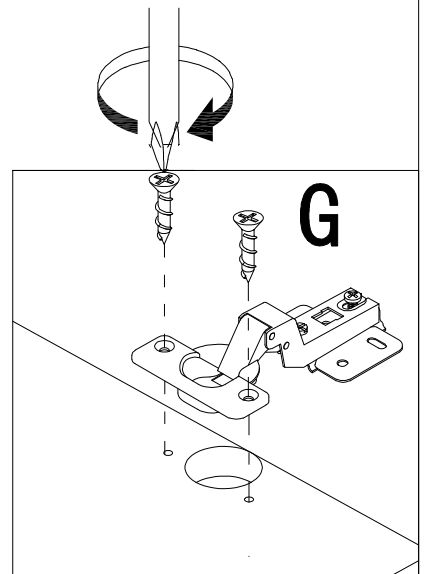
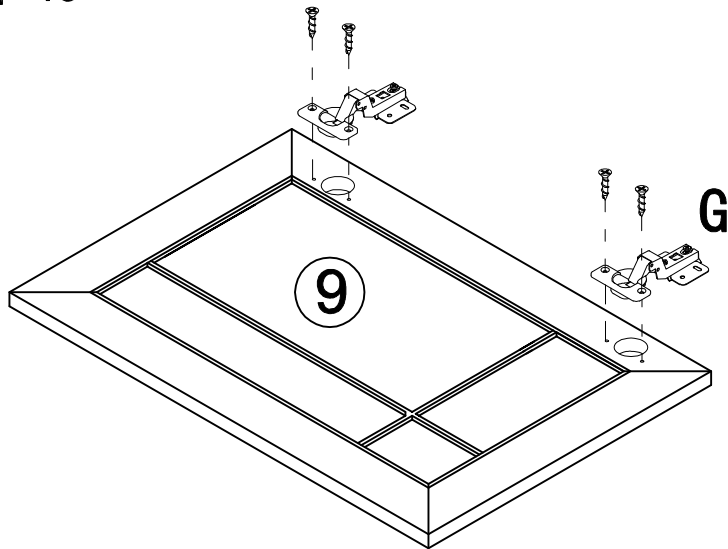
Parts



Hardware

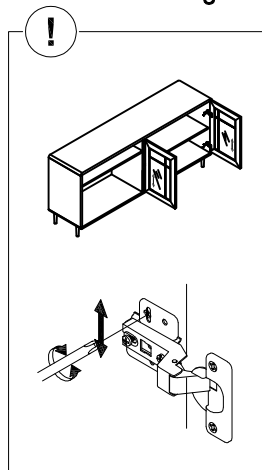
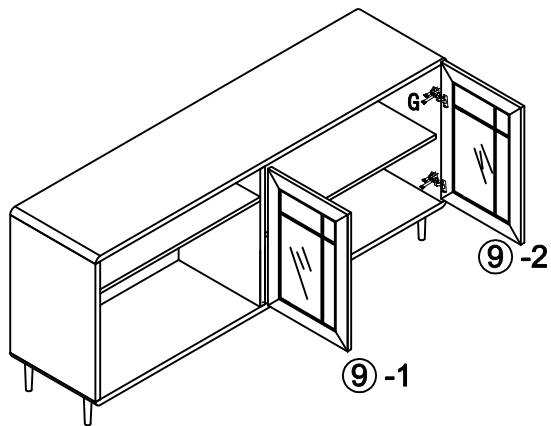


Step 15

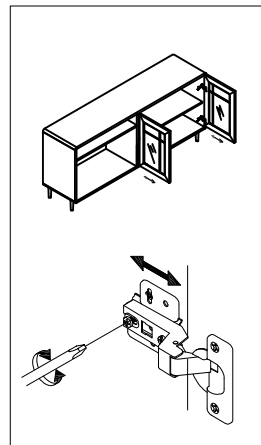


Step 16

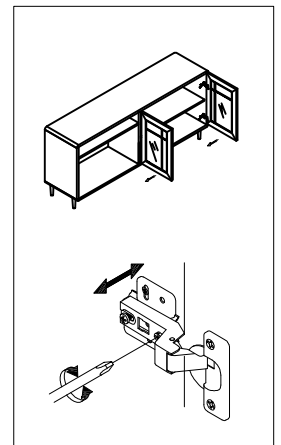
The Hinges can be adjusted in 3 directions when necessary



Door Up and Down Adjustment - Loosen or Tighten the screws on the mounting plate.

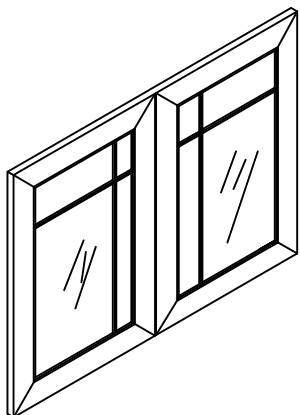


Door In and Out Adjustment - Loosen or Tighten the back screw of hinge



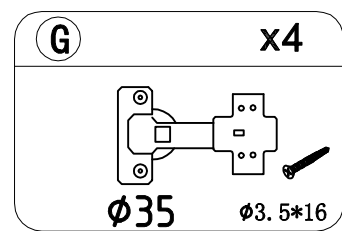
Door Left and Right Adjustment - Loosen or Tighten the front screw of hinge

Parts

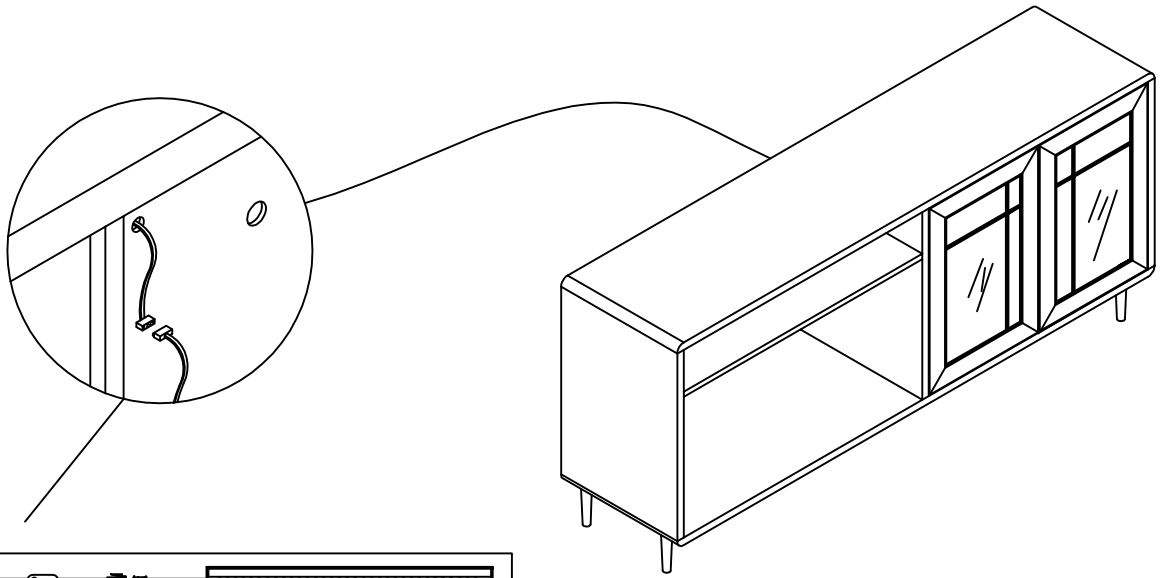


9 x2

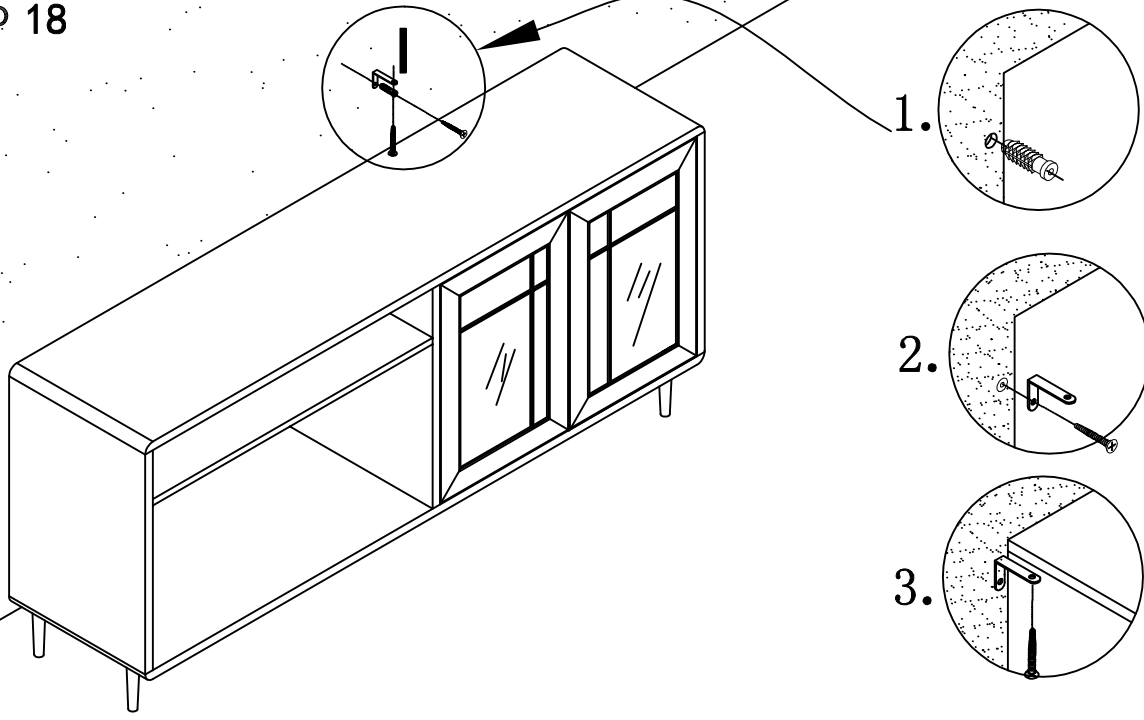
Hardware



### Step 17

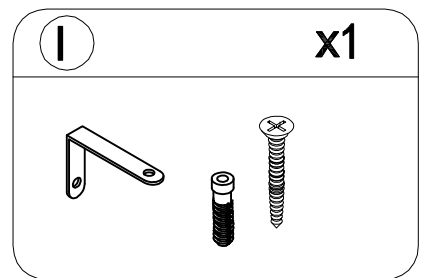


### Step 18

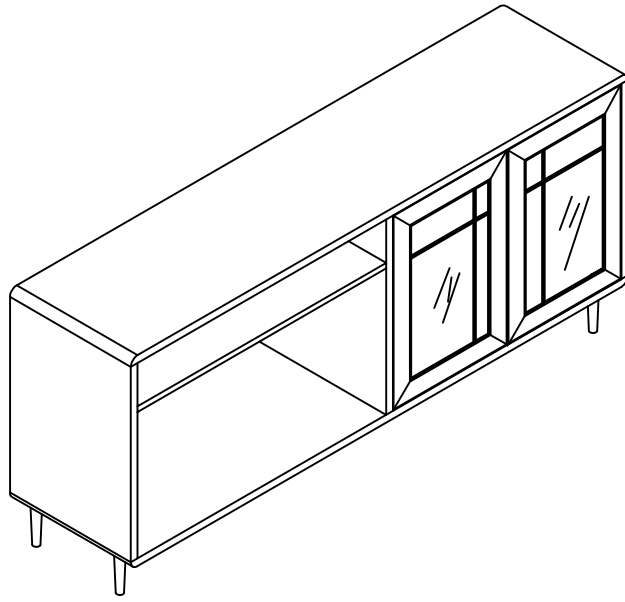


#### Parts

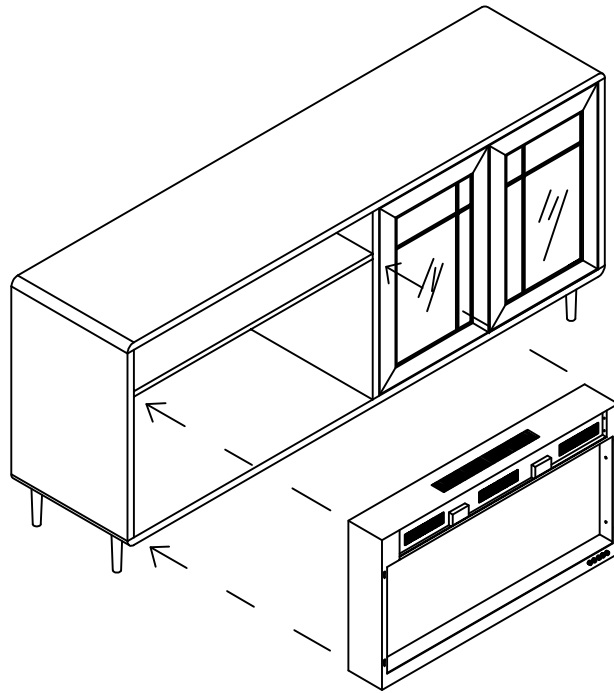
#### Hardware



Step 19



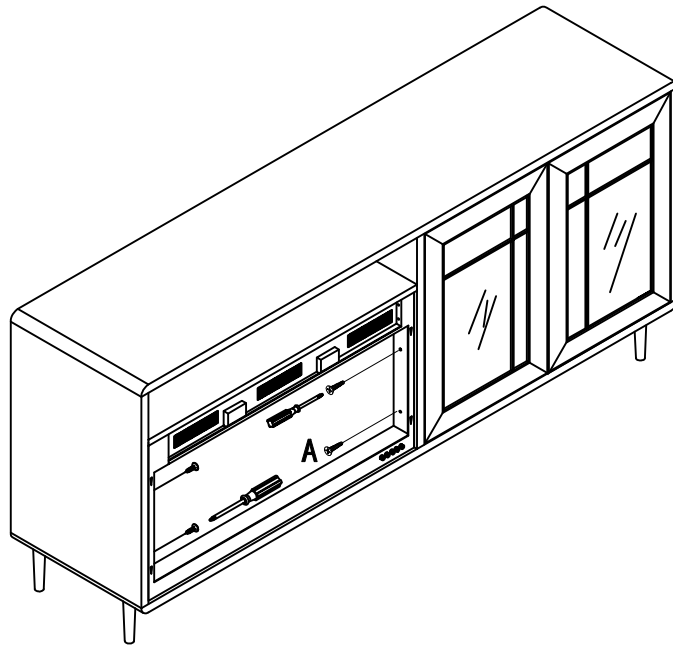
Step 20



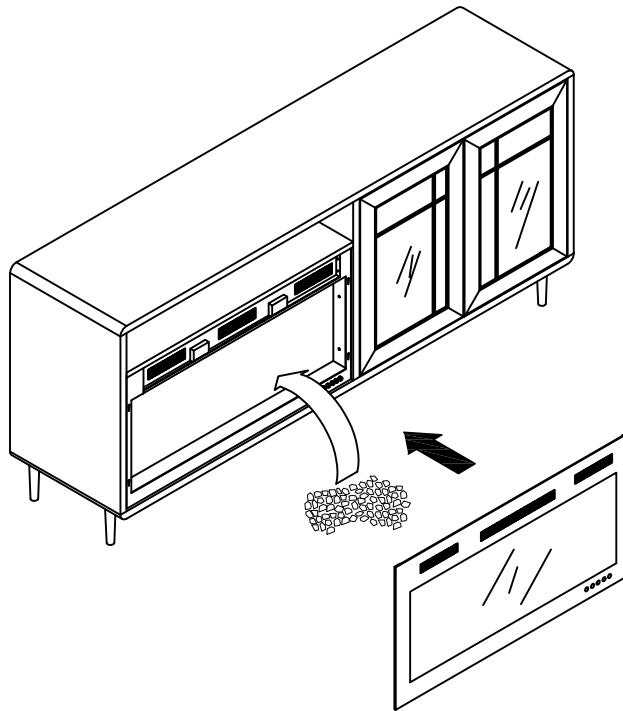
Parts

Hardware

Step




Step 22

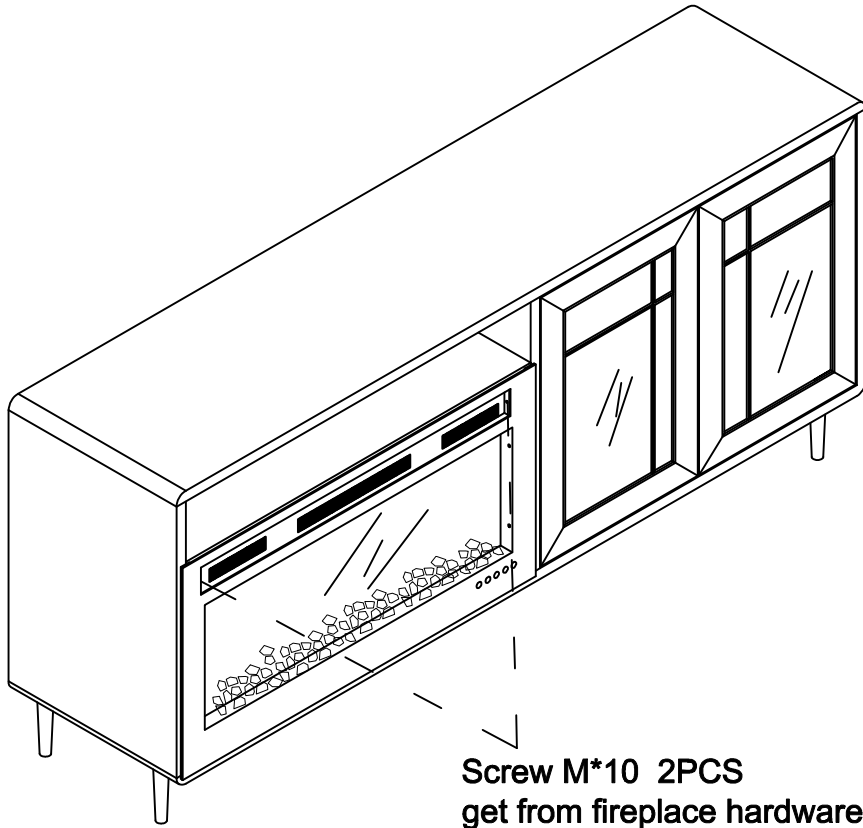


Parts

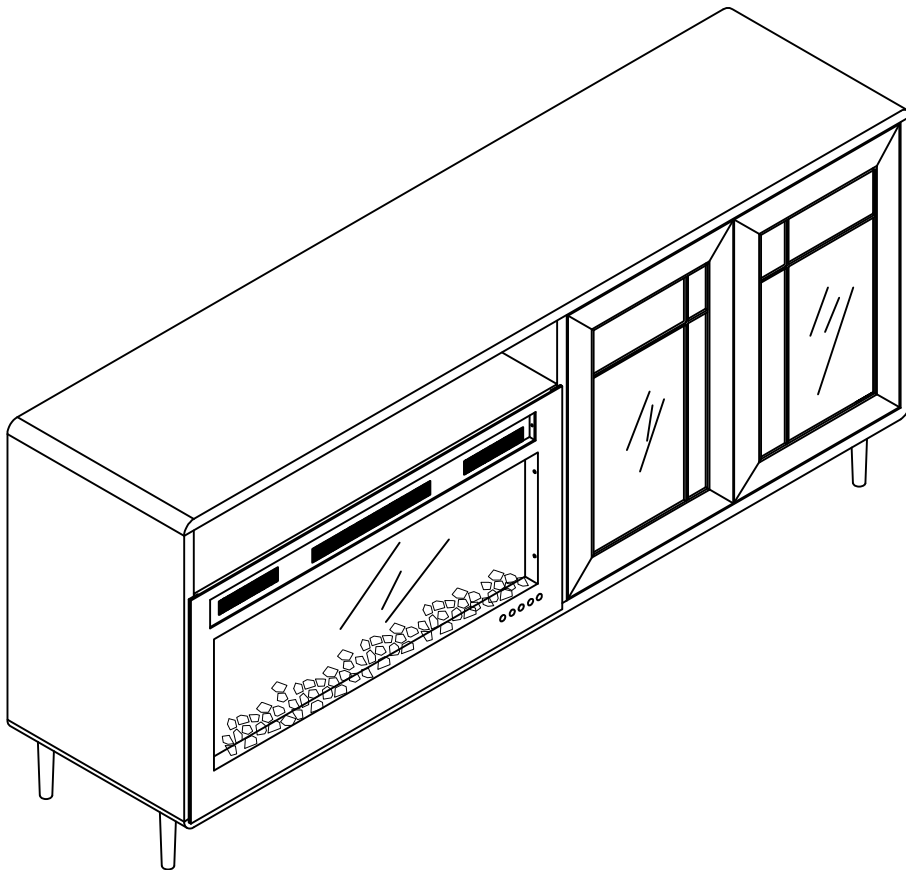
Hardware

<b>A</b>	<b>x24</b>	<b>Fix fireplace to wood frame only.</b>
 <b>Ø3.5*20</b>		

Step 23



Screw M\*10 2PCS  
get from fireplace hardware box



# I Illustration of Drawer Slides Taking apart and Installation

