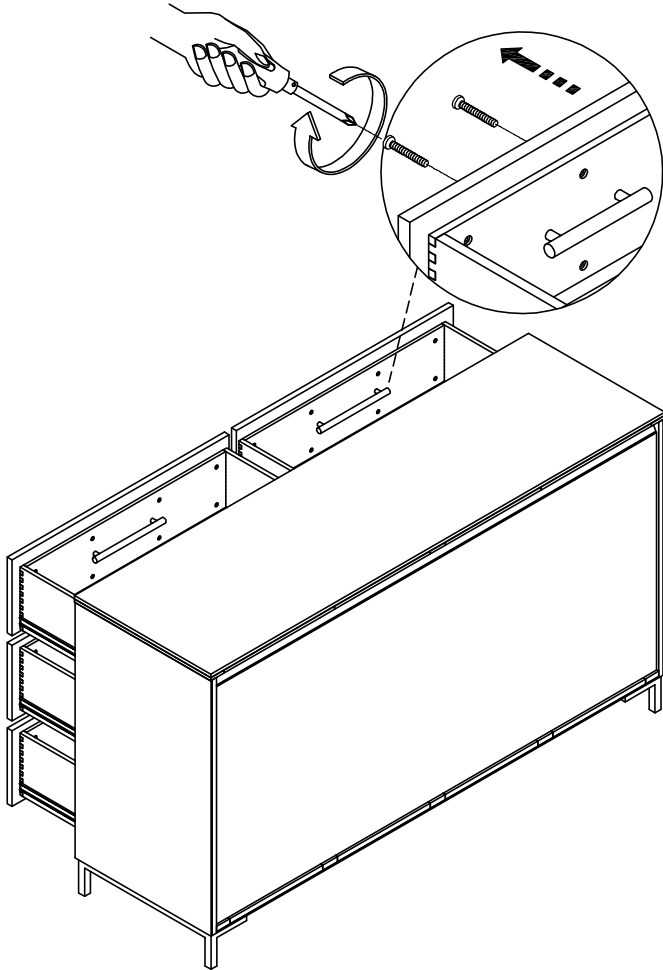


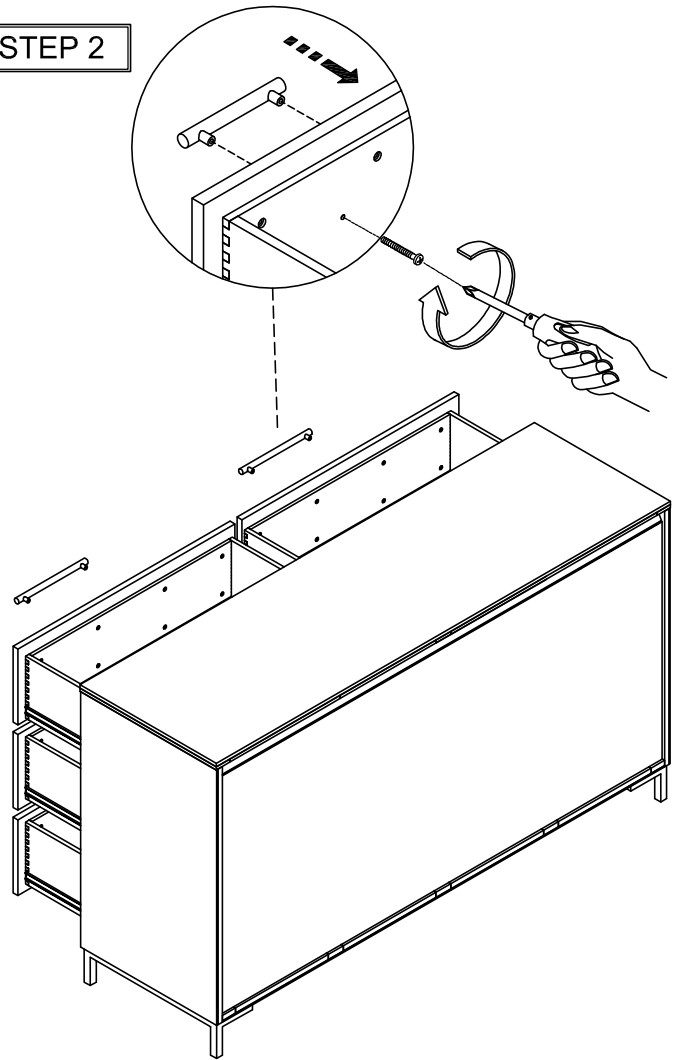
# DRESSER

## Assembly Instruction

STEP 1



STEP 2



STEP 3

