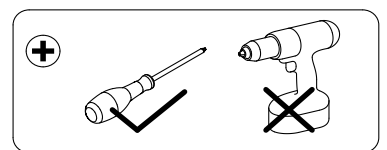
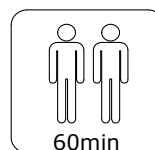
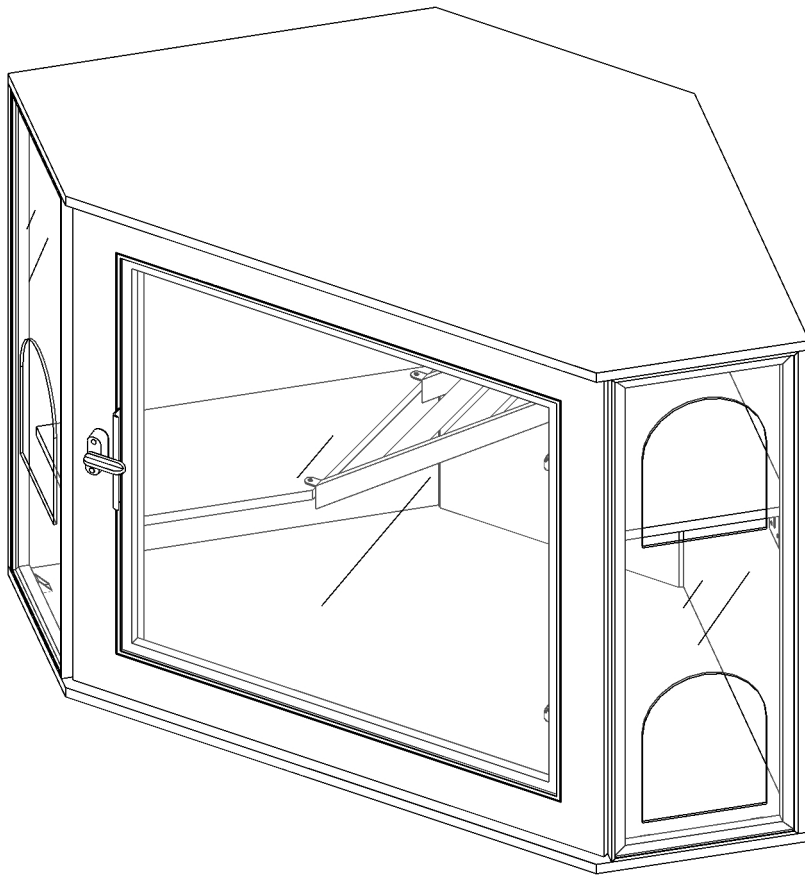


CAT CABINET

Assembly Instructions - Please keep for future reference

N704P402446



Important-Please read these instructions fully before starting assembly

Safety and Care Advice

Important – Please read these instructions fully before starting assembly

- Check you have all the components and tools listed on the following pages.
- Remove all fittings from the plastic bags and separate them
- Keep children and pets away from the installation area, which may cause choking if small parts are swallowed.
- Make sure you have enough space to layout the parts before

- Do not stand or apply weight to the product during assembly. This may cause damage.



- Assemble the item as close to its final position (in the same room) as possible.

- Assemble on a soft level surface to avoid damage to the unit or floor.

- It's easier for two people to assemble the parts together.

- To reduce the likelihood of damage to your product, make sure your power drill is set to a low torque setting.

Care and maintenance

- Only clean using a damp cloth and mild detergent, do not use bleach or abrasive cleaners.

- Check for loose screws on this unit from time to time.

- This product should not be discarded with household waste. Take to your local authority waste disposal centre.

Handy Hints

- Assemble all parts and bolts loosely during assembly, only once the product is complete should you fully tighten the bolts

- Regularly check and ensure that all bolts and fittings are correctly tightened.

WARNING In order to help prevent overturning - please follow these instructions

To help prevent product toppling over please follow the below steps:-

Use the anti tip stap or wall fixing method provided (if applicable)
Do not allow children to climb or hang on the furniture
Do not open more than one drawer at a time
Do not place heavy items in the top drawers
Do not place heavy items on top of the furniture, unless the furniture has been designed for this purpose

please note that only the anti tip strap is provided.

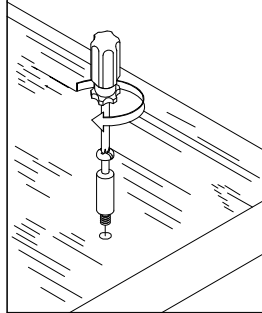
You will need to provide wall plugs and screws applicable for your wall type

Using Camlocks

Step 1

Connect the male camlock as directed in the assembly instructions using a screwdriver.

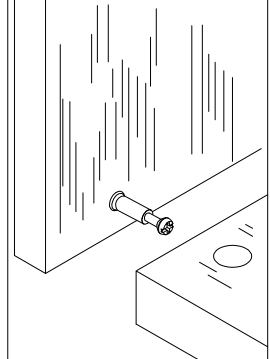
1 DO NOT OVER TIGHTEN.



Step 2

Push the male camlock into the entry hole.

2

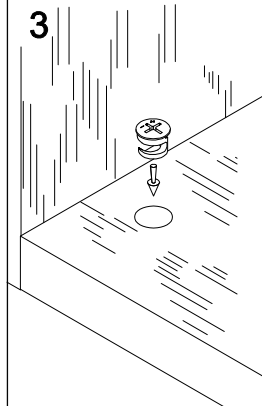


Step 3

Insert the female camlock as shown in the instruction.

Note: ensure that the arrow on the top of the camlock points towards the entry hole for the male camlock.

3



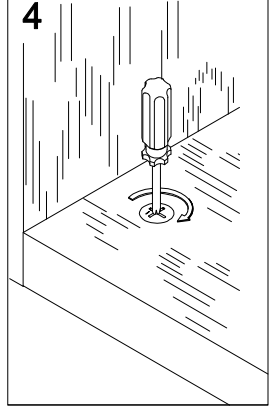
Step 4

Turn the female camlock clockwise with a screwdriver.

You should feel a click when the camlock is locked in place.

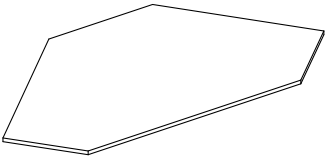
The joint is now secure.

4

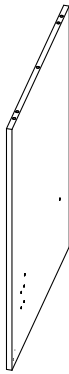


Part List:N704P402446

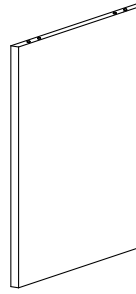
① X1



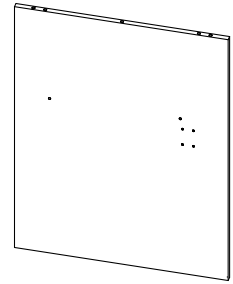
② X1



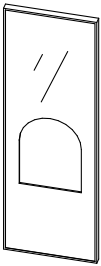
③ X1



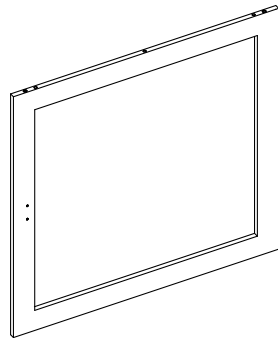
④ X1



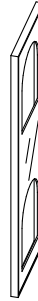
⑤ X1



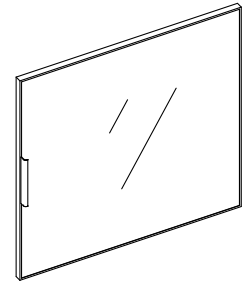
⑥ X1



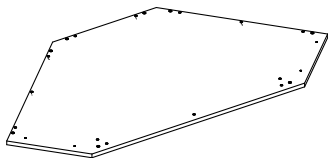
⑦ X1



⑧ X1



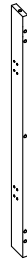
⑨ X1



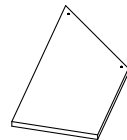
⑩ X1



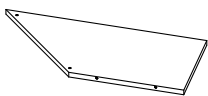
⑪ X1



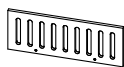
⑫ X1



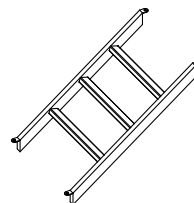
⑬ X1

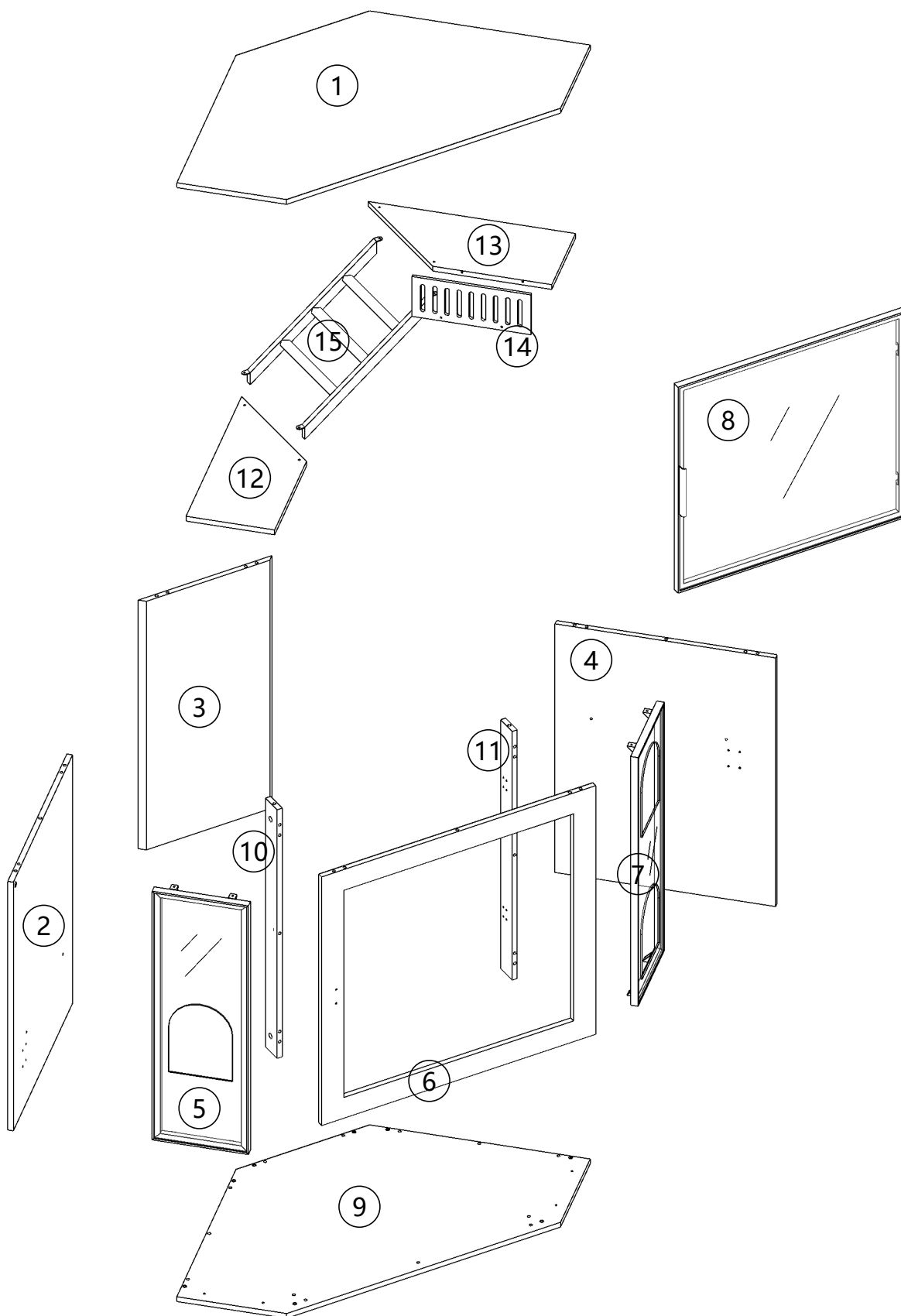


⑭ X1

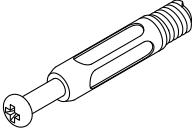
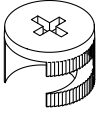
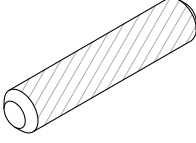
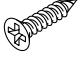

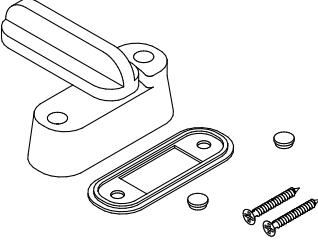
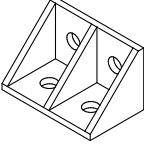
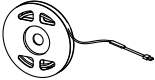
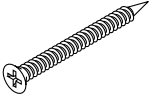
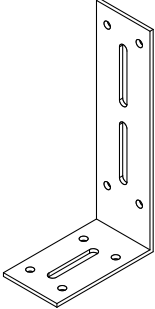

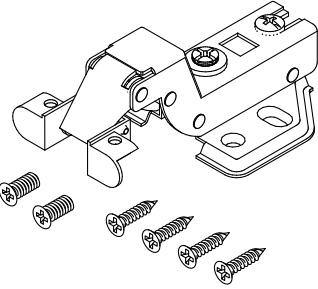
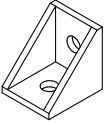


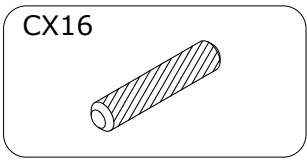
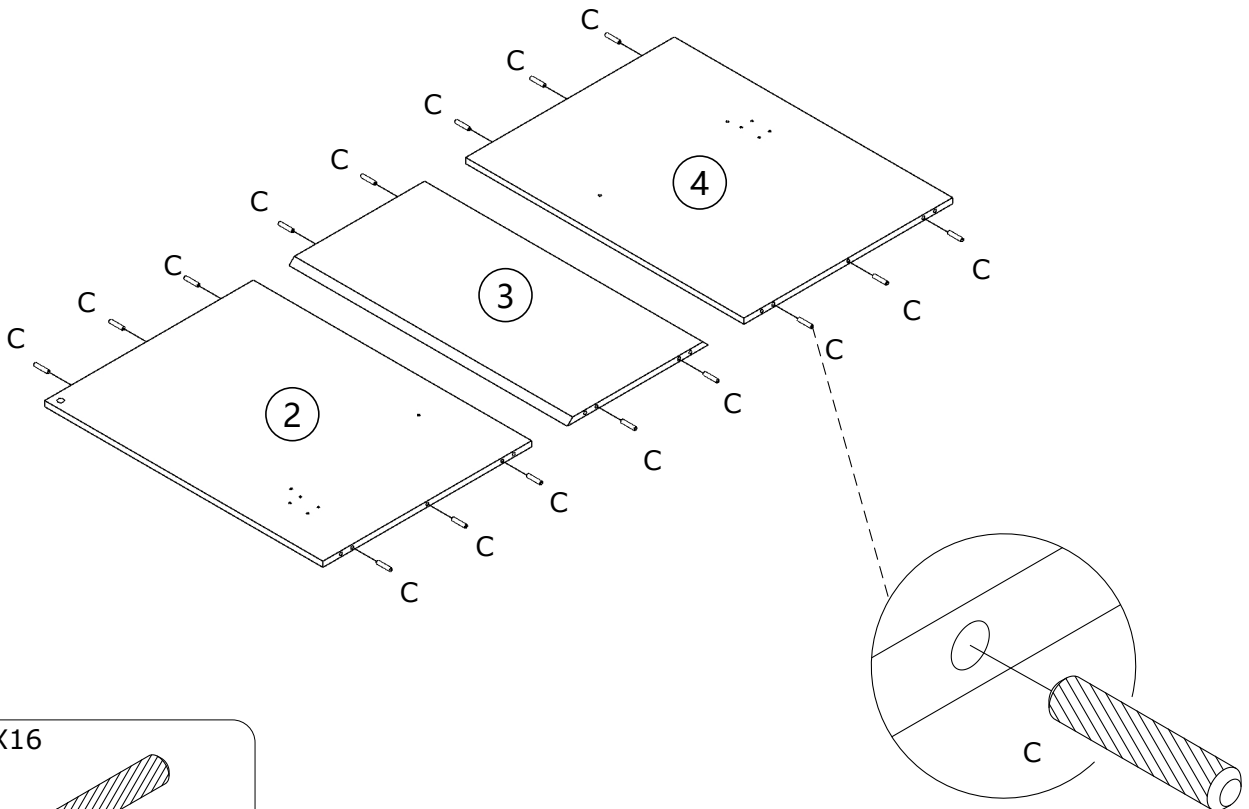
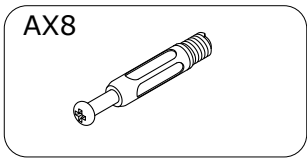
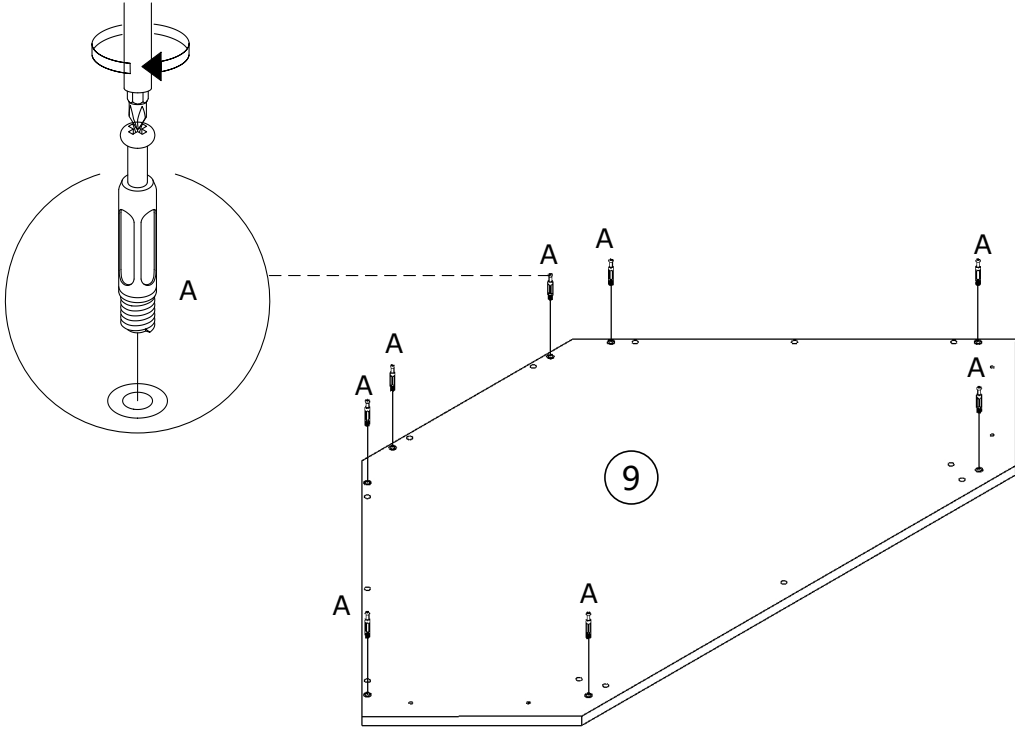
⑮ X1

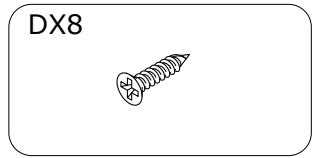
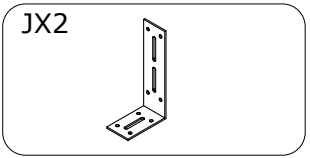
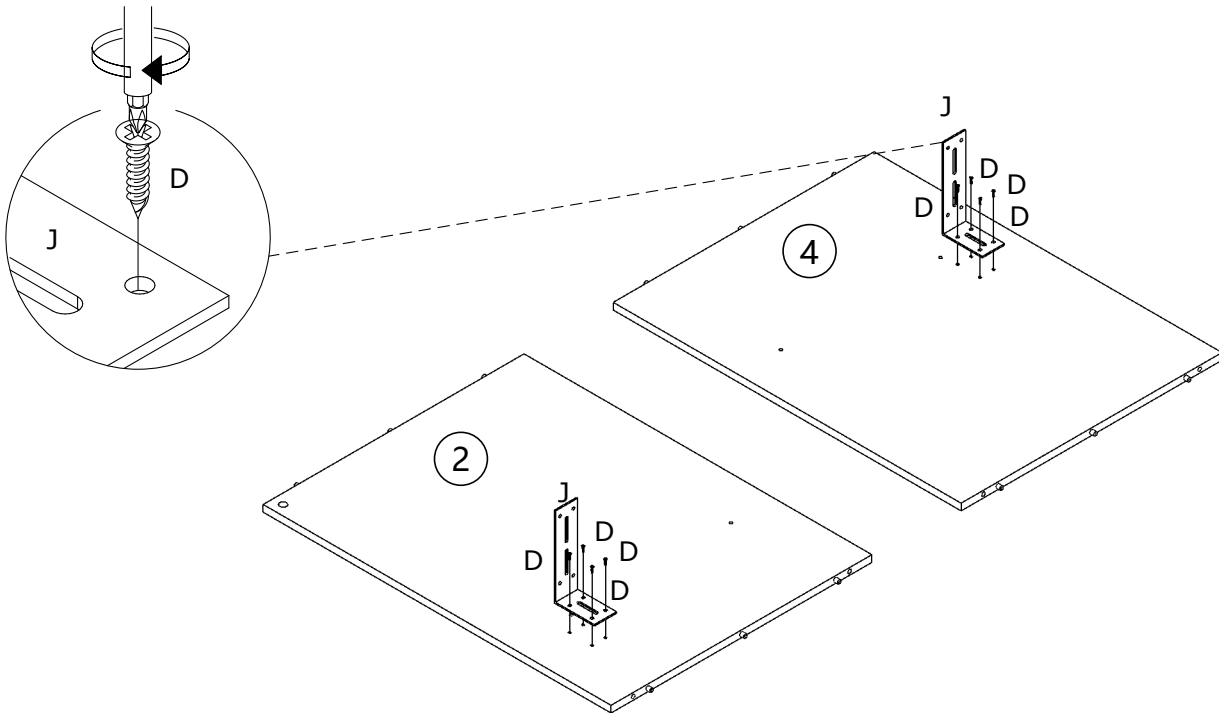
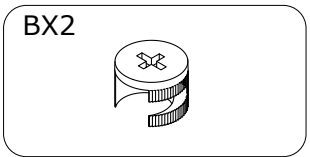
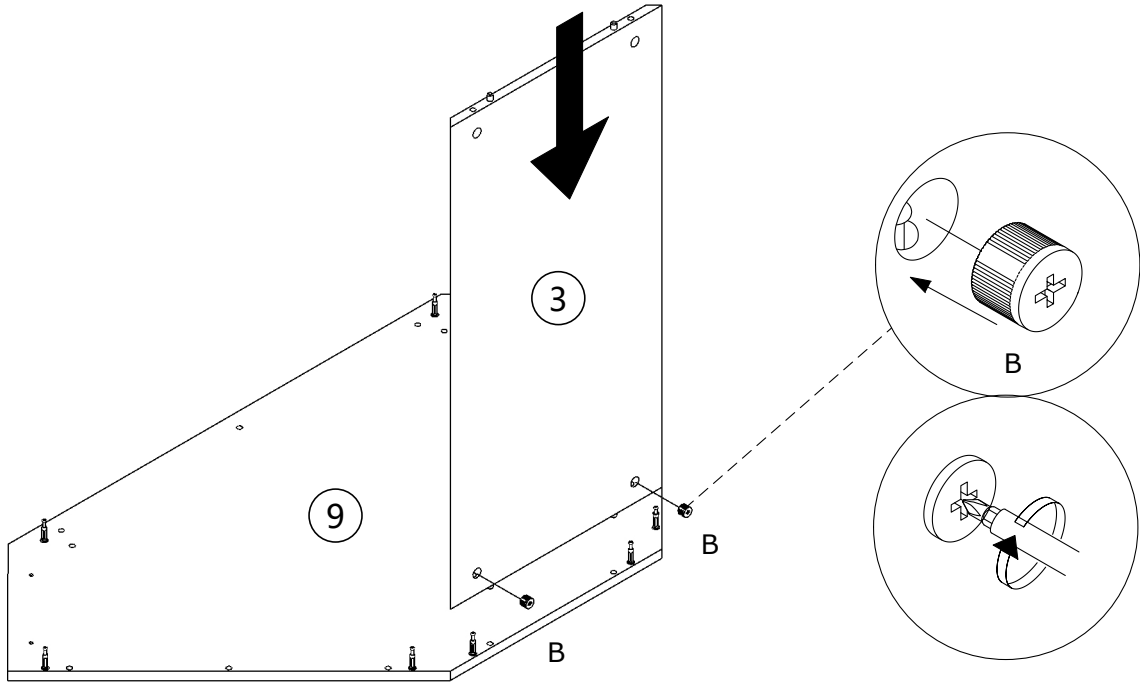


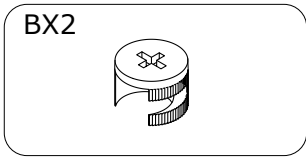
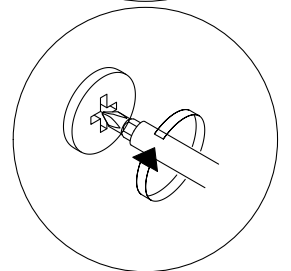
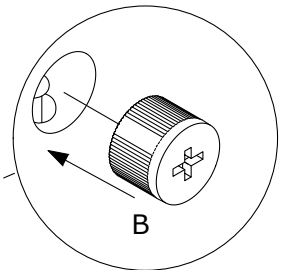
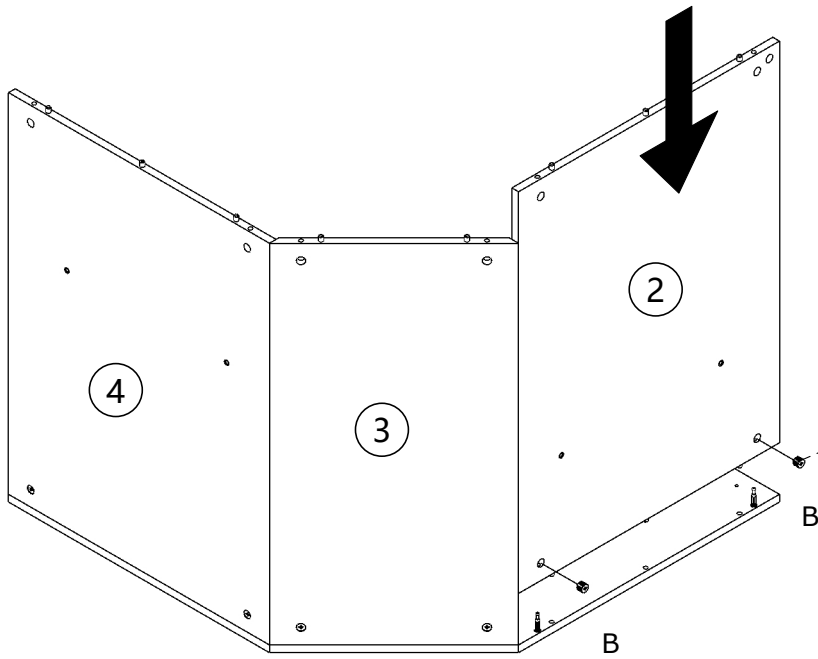
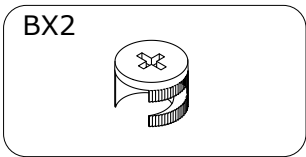
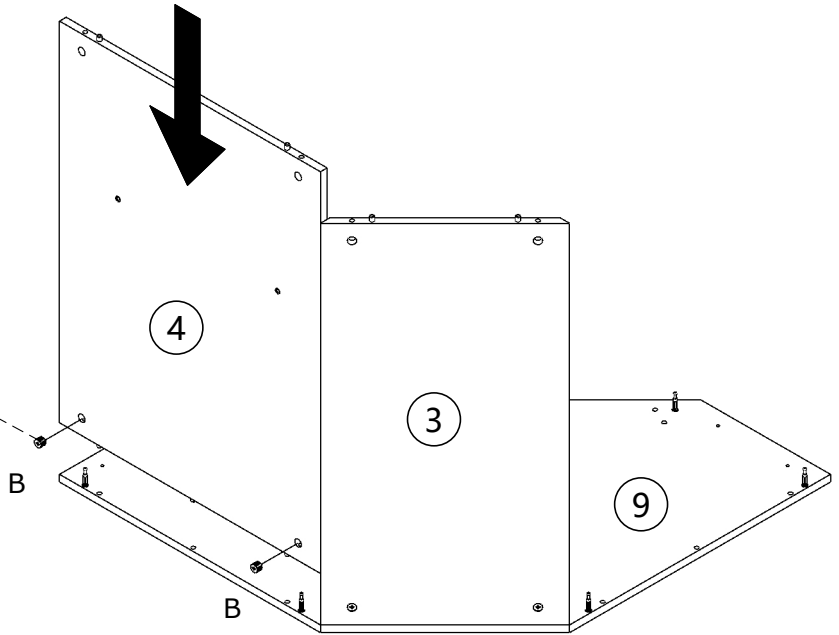
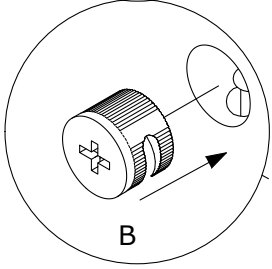
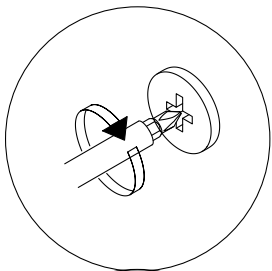


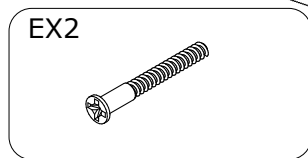
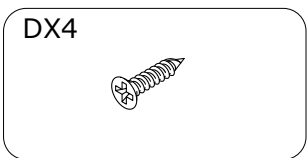
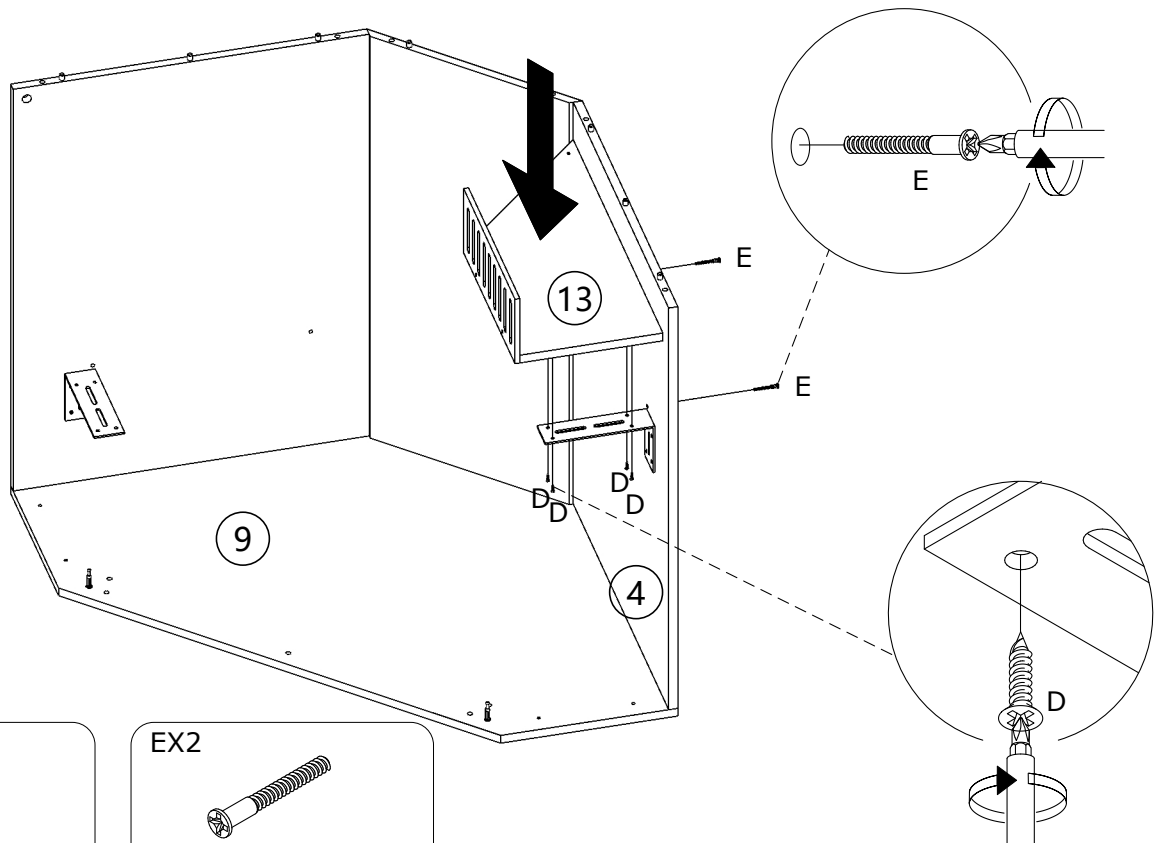
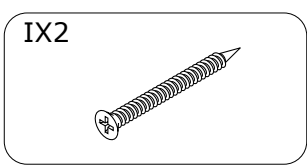
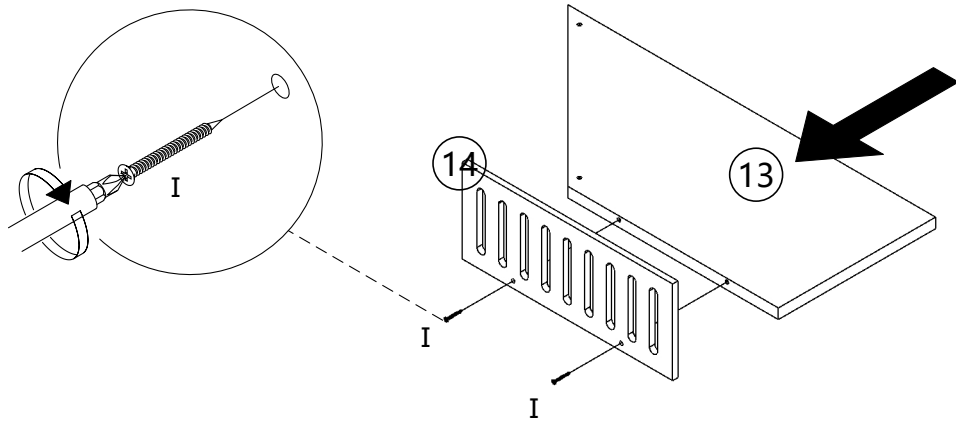
Hardware list

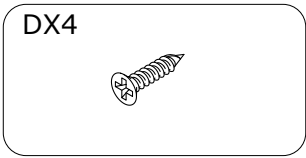
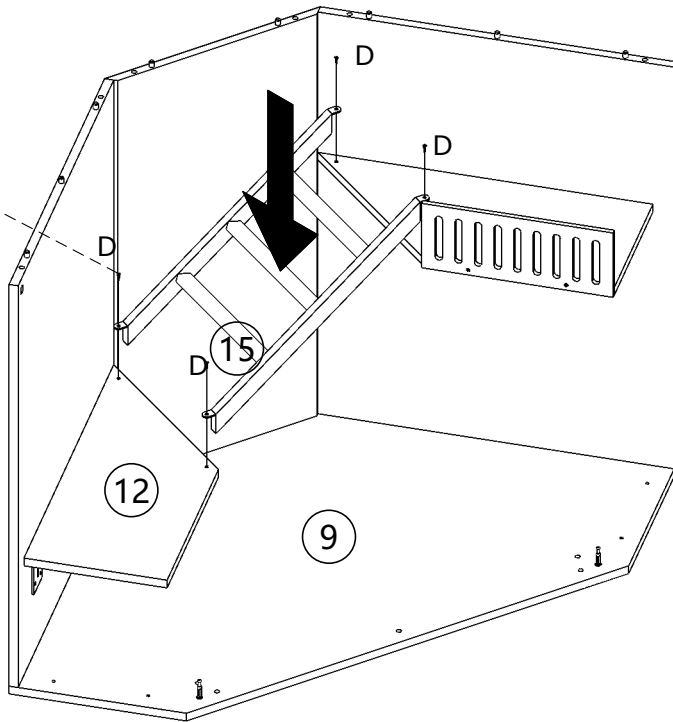
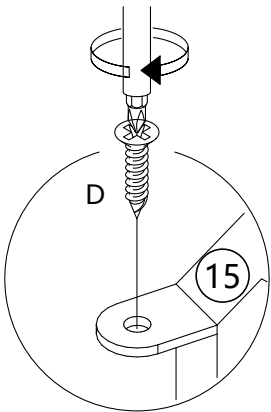
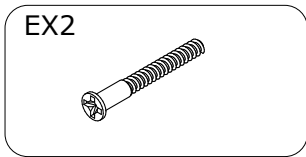
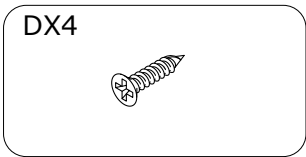
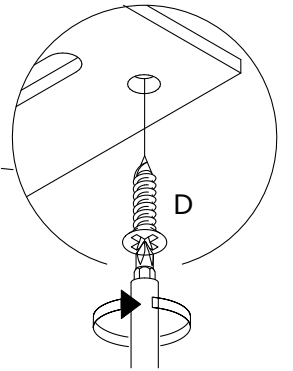
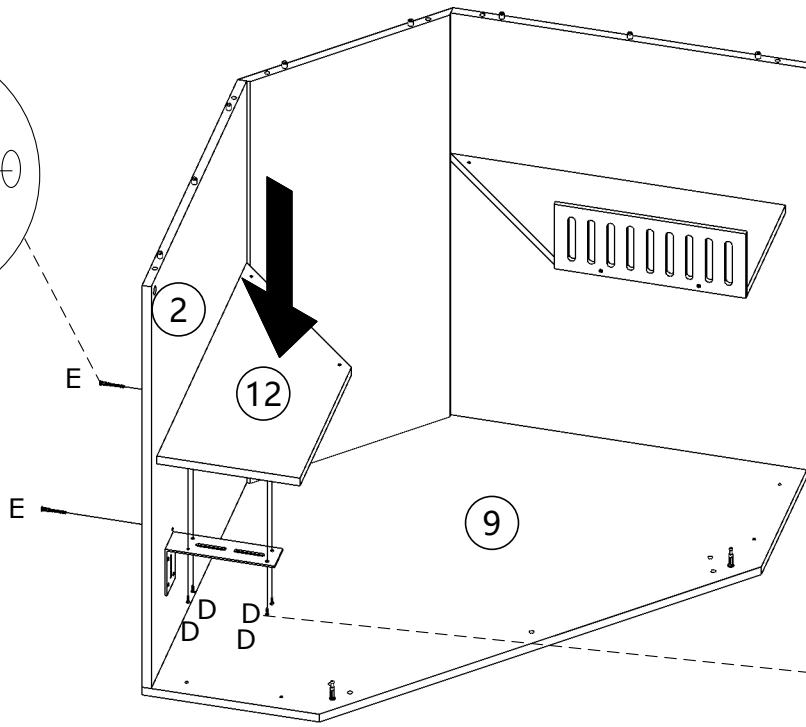
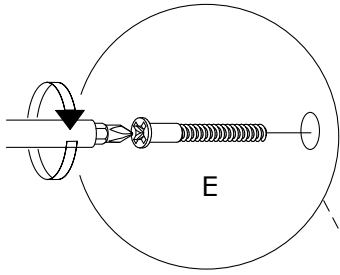
<p>A X20</p> 	<p>B X20</p> 	<p>C X32</p> 	<p>D X30 3.5*14mm</p> 
<p>E X4</p> 	<p>F X1</p> 	<p>G X1</p> 	<p>H X1</p> 
<p>I X2 3.5*20mm</p> 	<p>J X2</p> 	<p>K X6</p> 	<p>L X2</p> 
<p>M X8</p> 			

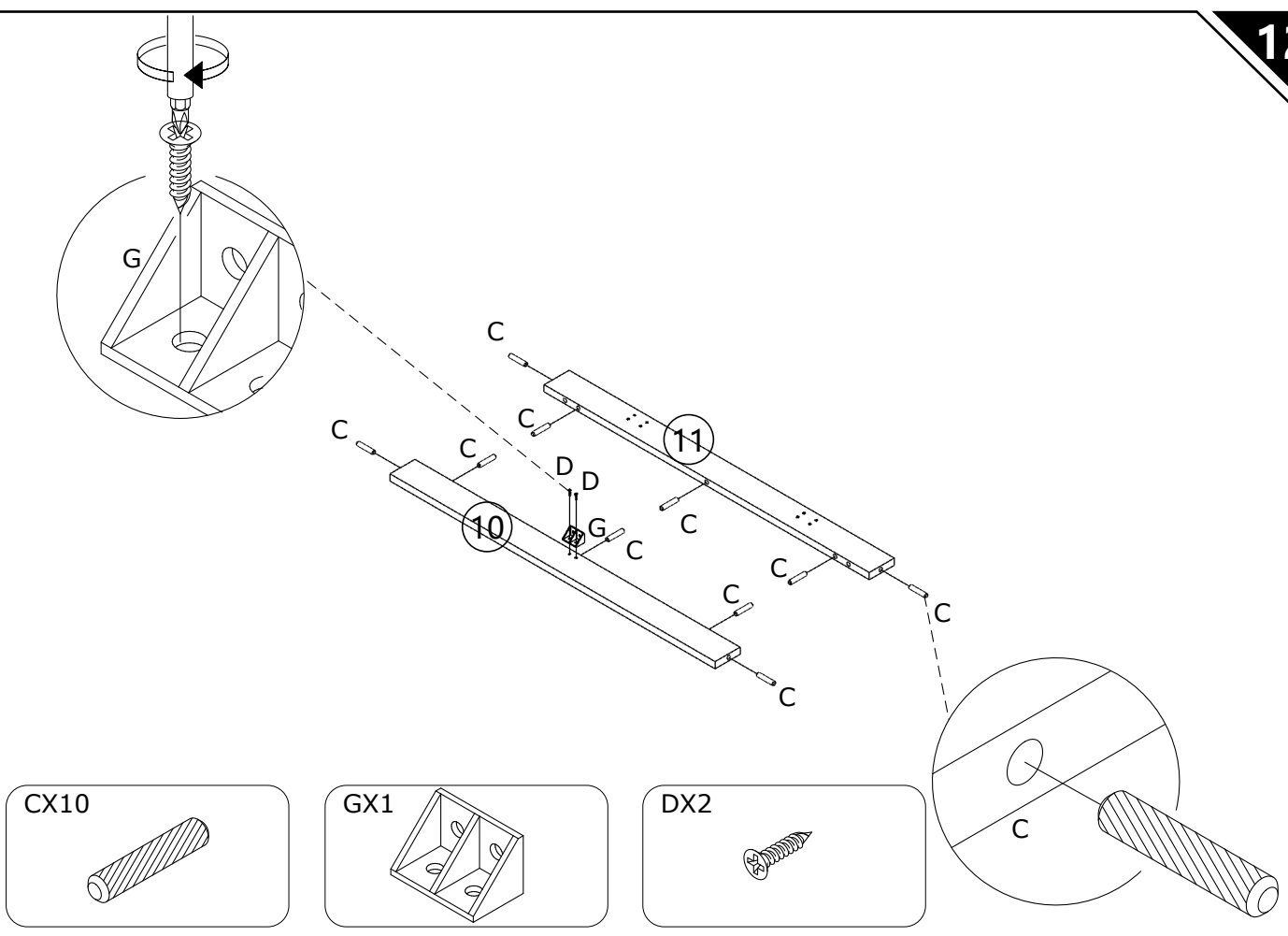
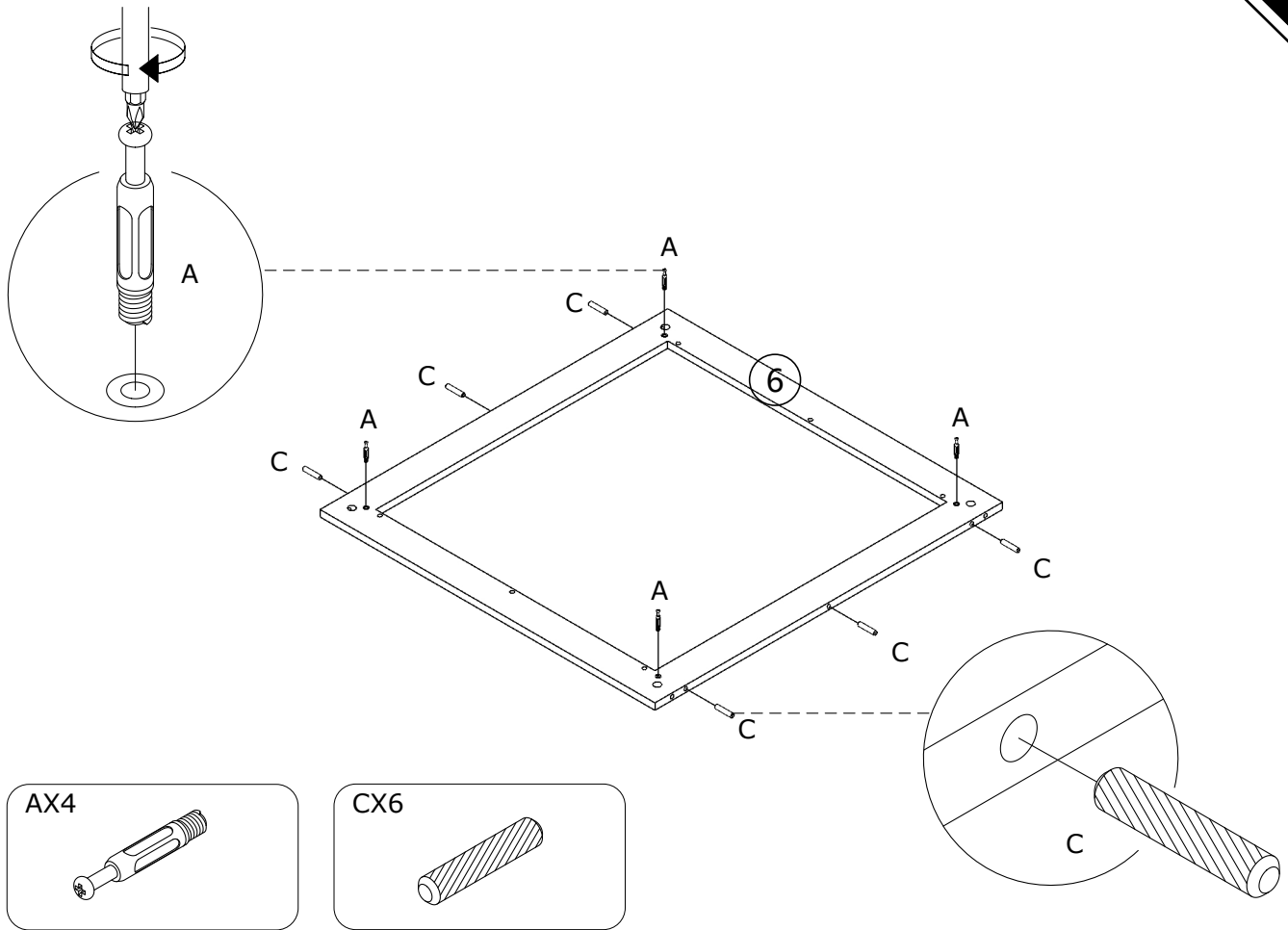


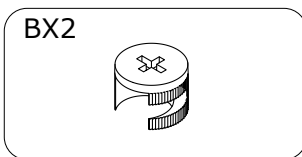
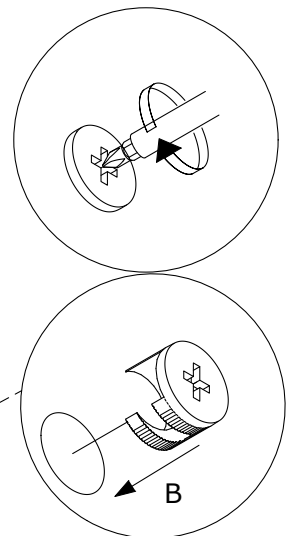
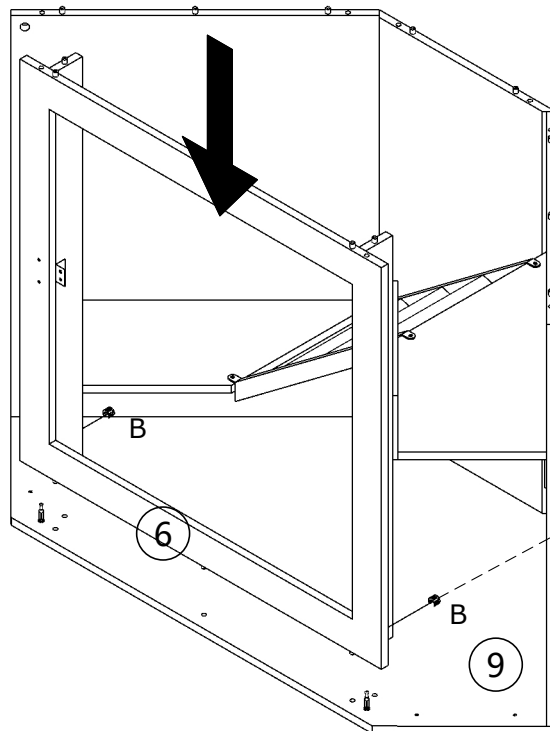
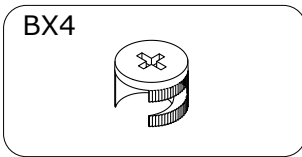
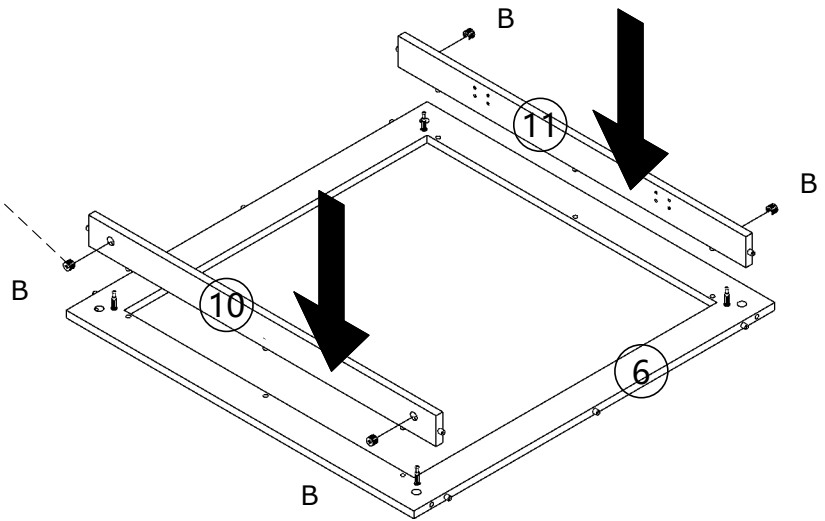
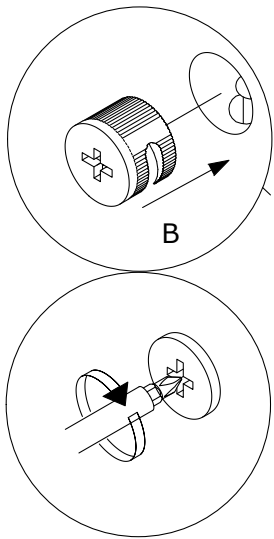


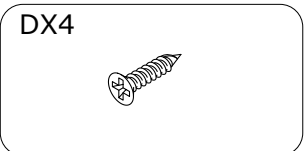
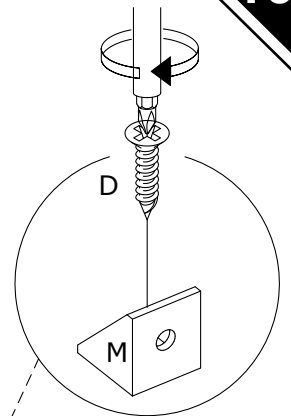
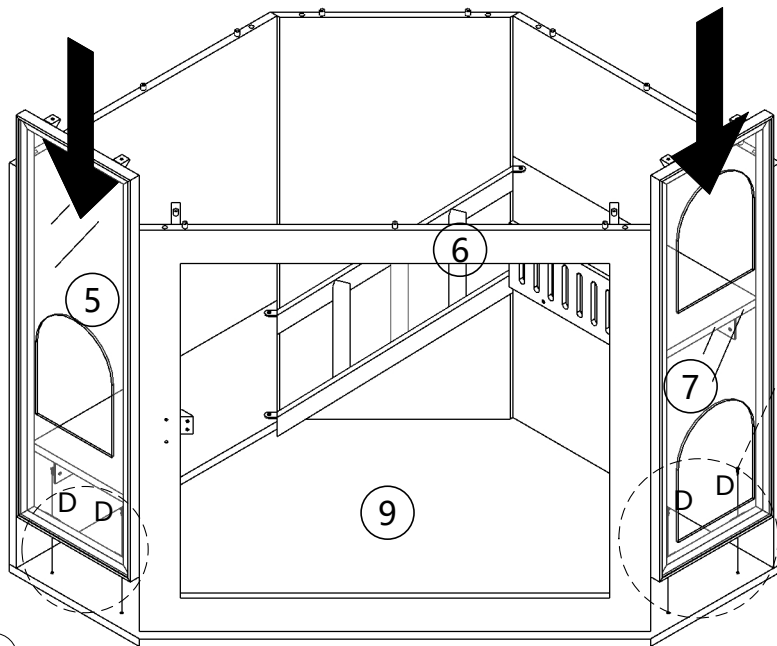
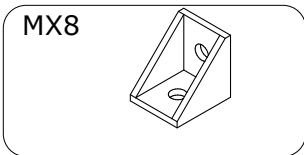
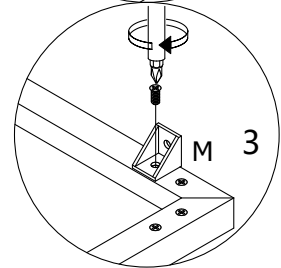
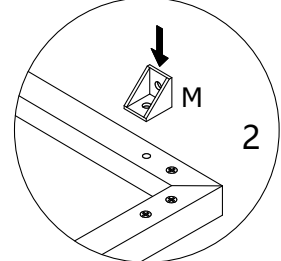
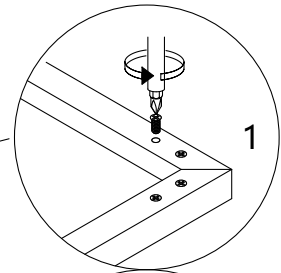
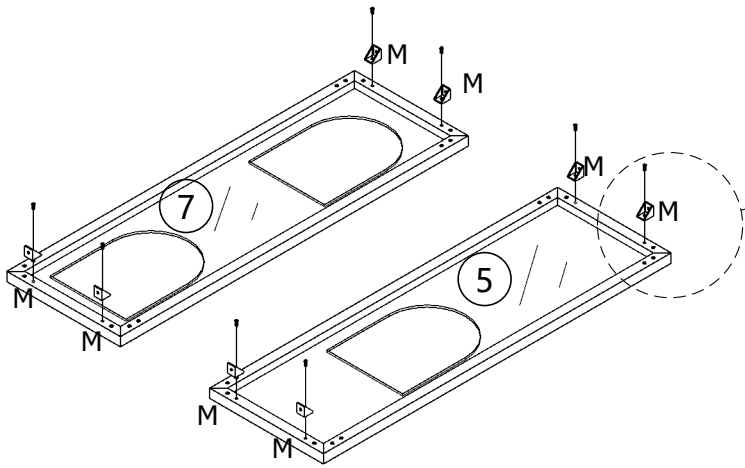


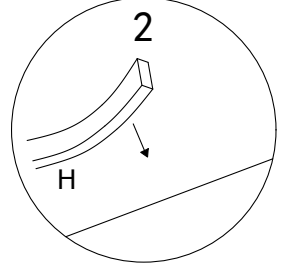
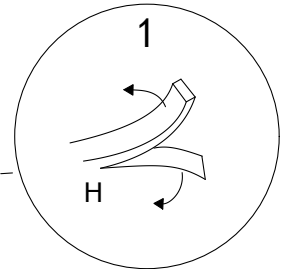
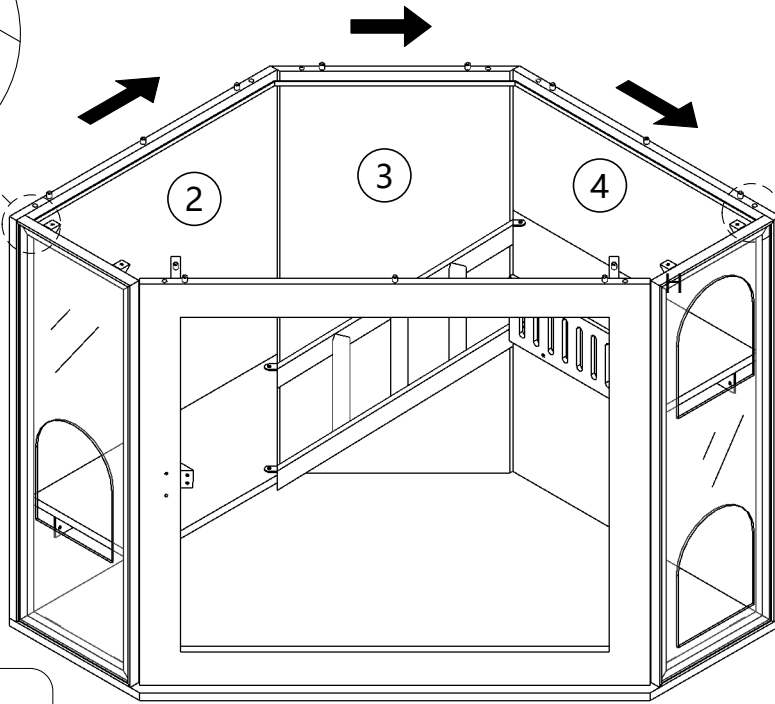
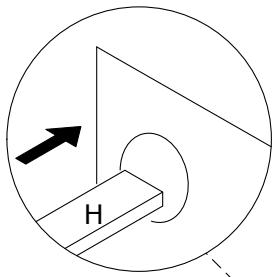




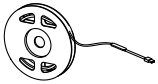






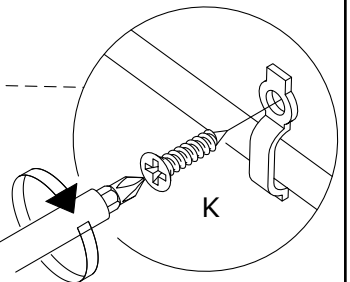
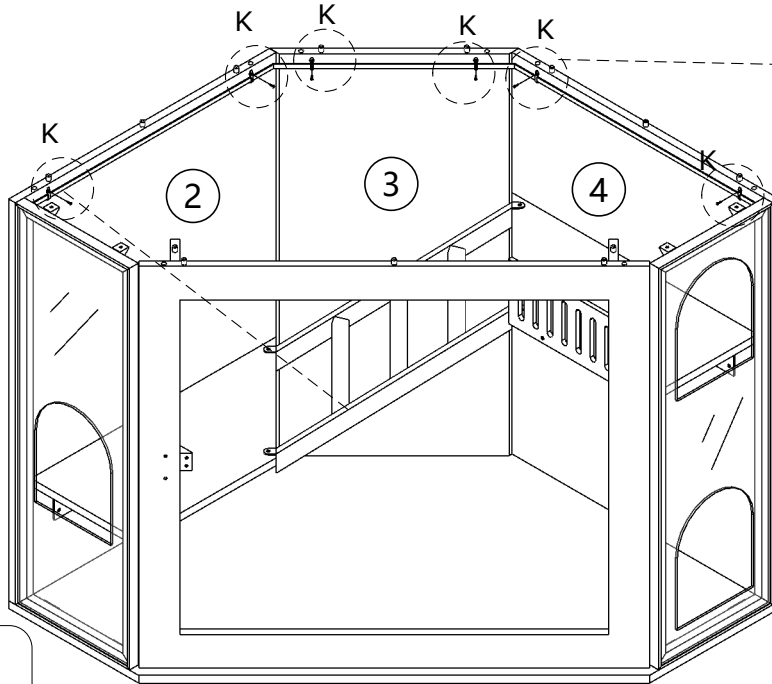


HX1

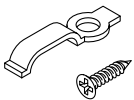


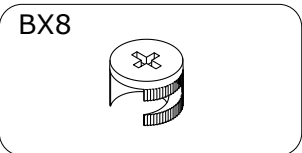
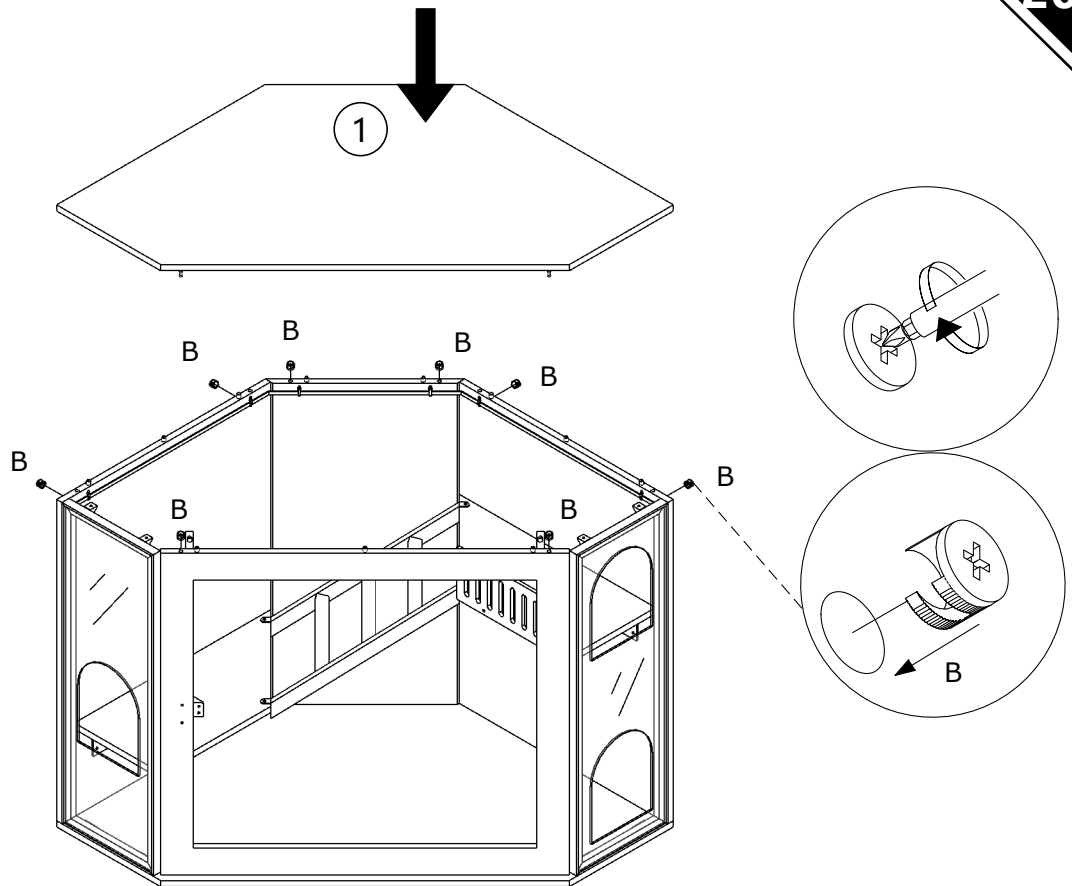
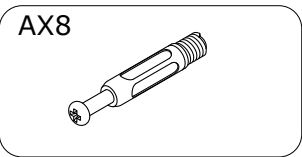
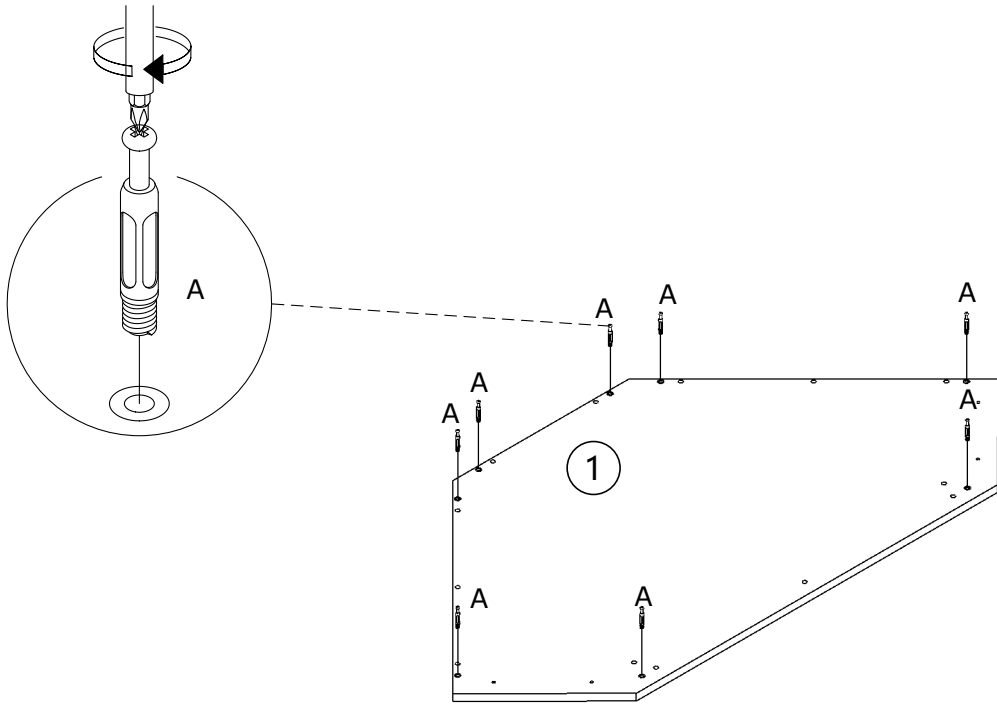
Tear off the back tape

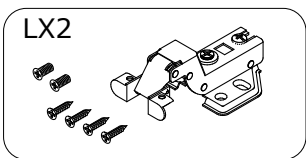
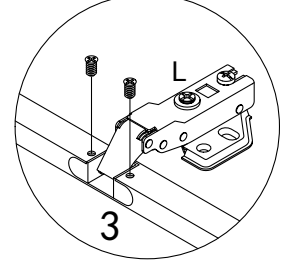
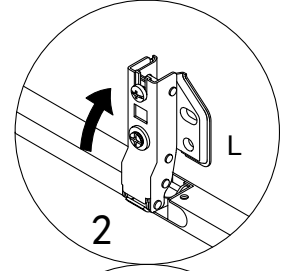
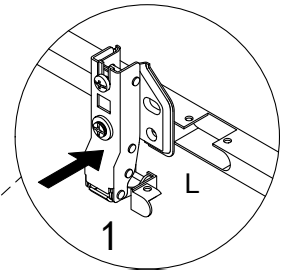
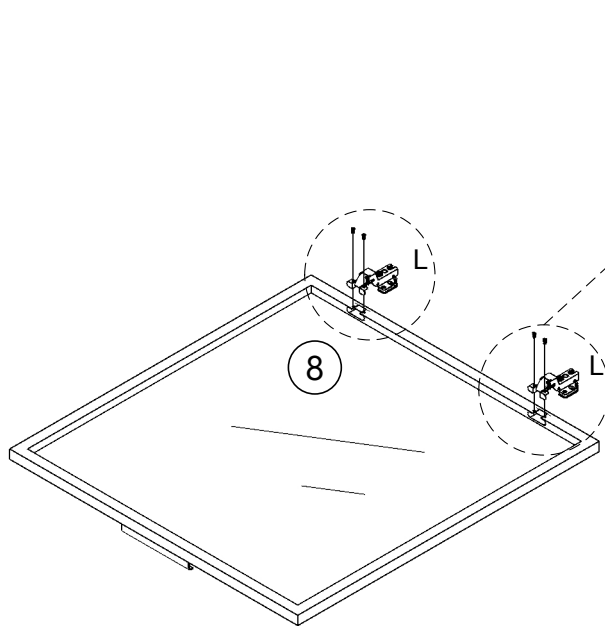
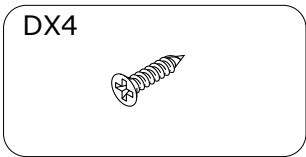
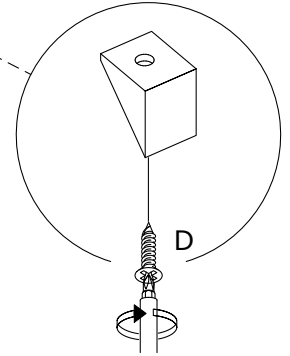
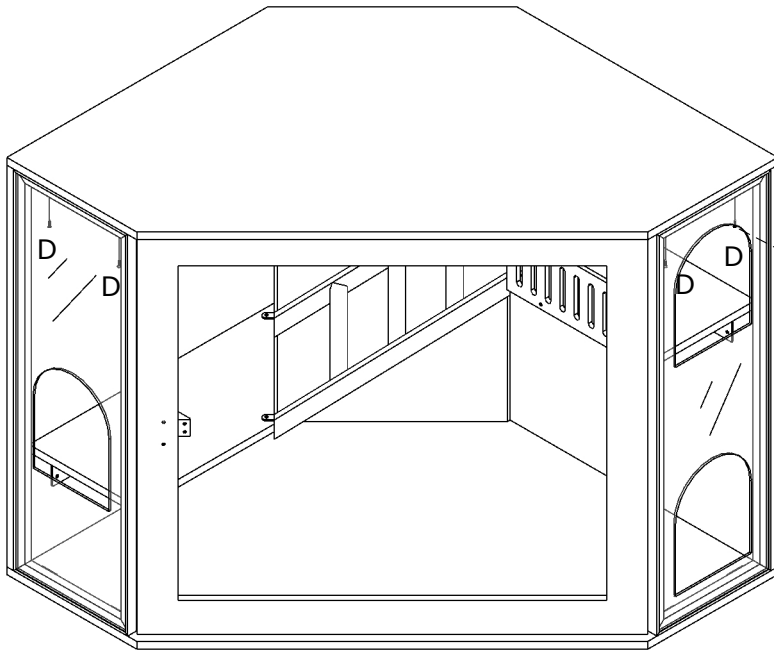
Scan to download App control the Led light.

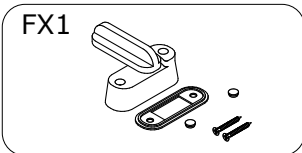
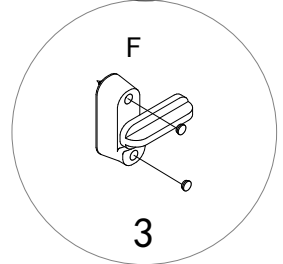
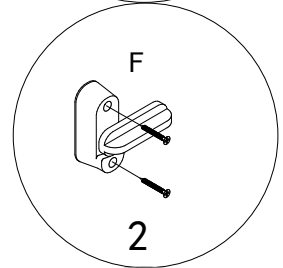
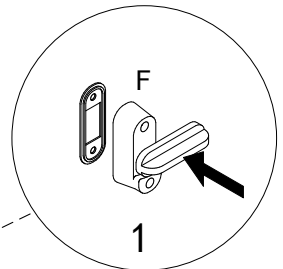
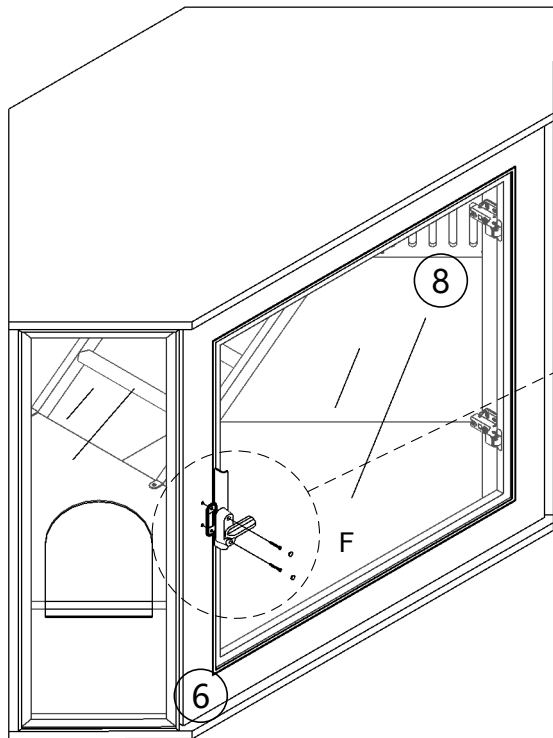
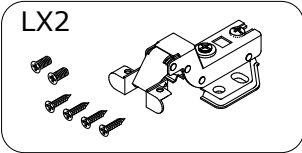
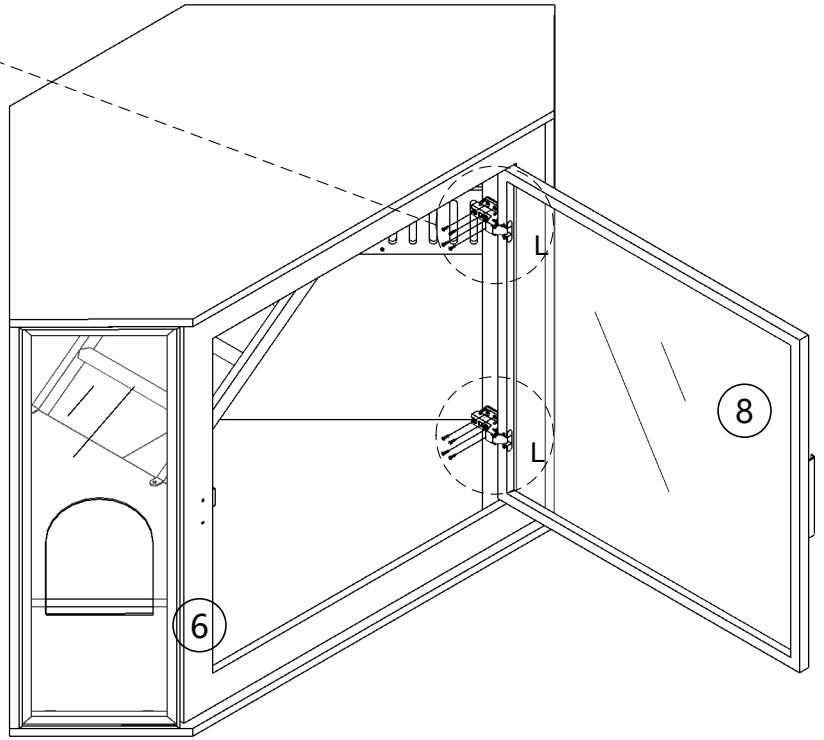
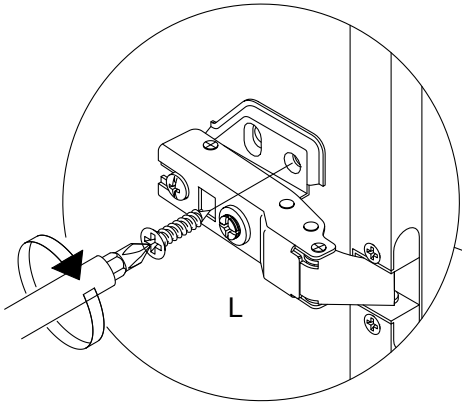


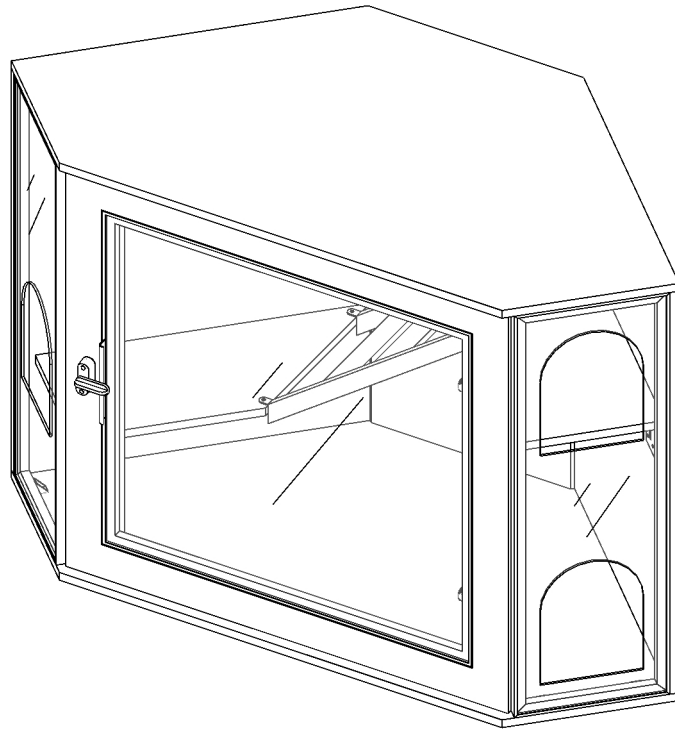
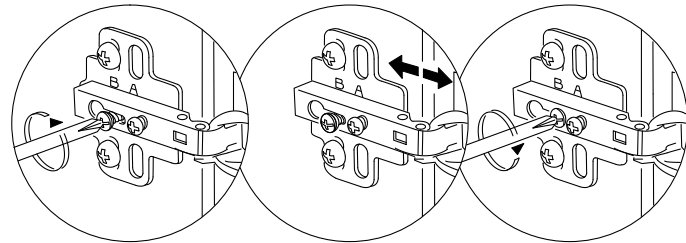
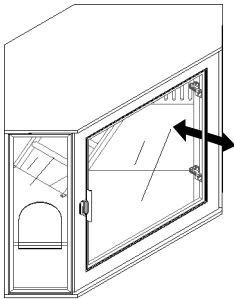
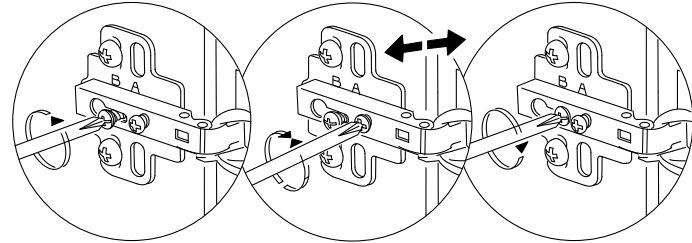
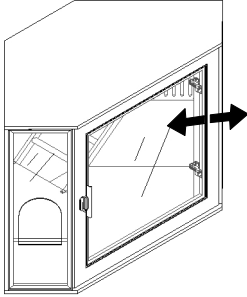
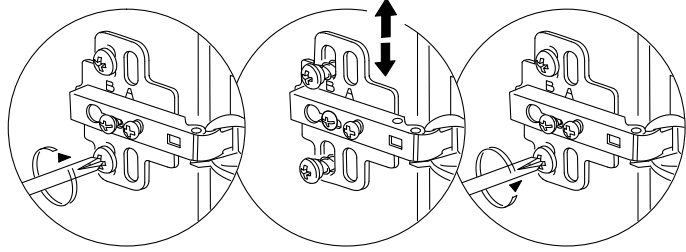
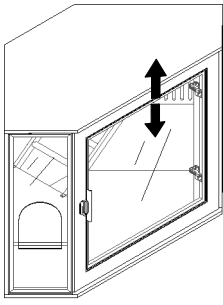
KX6











Certificate Number:HX2501130045F-YG



FCC Directive FCC Part15B

Applicant : Dongguan YIGuang Lighting Technology Co., LTD
Address : 5 / F, Building A, Kexelong Building, No.9 Jie Southeast Road, Humen Town, Dongguan City, Guangdong Province
Manufacturer : Dongguan YIGuang Lighting Technology Co., LTD
Address : 5 / F, Building A, Kexelong Building, No.9 Jie Southeast Road, Humen Town, Dongguan City, Guangdong Province
Product : LED Strip Suit
Model : 2835-5050
Brand Name : N/A
Test Report Number : F2501130012-YG
Test Standard : FCC Part15B
 ANSI C63.4:2014

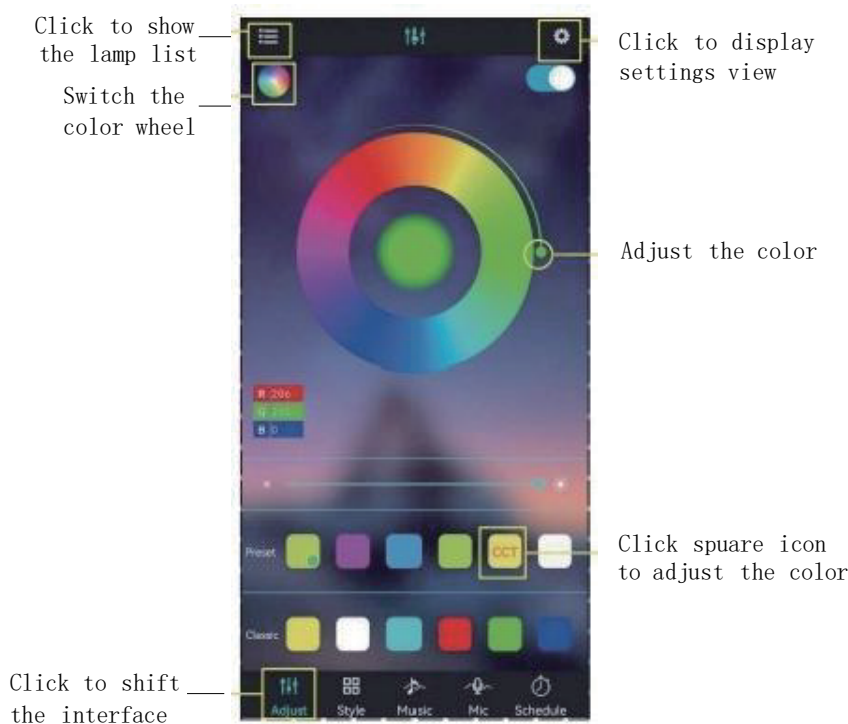
The EUT described above has been tested by us with the listed standards and found in compliance with the council FCC directive FCC Part15B. It is possible to use FCC marking to demonstrate the compliance with this FCC Directive.

The certificate applies to the tested sample above mentioned only and shall not imply an assessment of the whole production. It is only valid in connection with the test report number:F2501130012-YG.



Huaxun testing (Shenzhen) Group Co., Ltd
 Address:1st Floor, Building 2, Bangkai Technology Park, No. 9 Guangyuan 5th Road,
 Tangjia Community, Fenghuang Street, Guangming District, Shenzhen, Guangdong China.
 Web.Site:<http://www.hx-lbt.org> Tel: 0755-27202251 E-mail:huaxun@hx-lbt.org

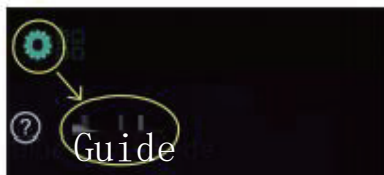
APP PROGRAM USAGE



- Scan two-dimensional code download APP
- ①Connect LED color strip and controller, power on controller
 - ②Scan two-dimensional code download APP:



- ③Start APP, search and connect controller
- ④Enjoy the Bluetooth wireless control experience



Notes:
detailed operating instructions,
enter the menu "Guide":

Product Paramters:

- Bluetooth:BLEV4.2
- Input Voltage:4.5~26V
- Working Temp:-25~75°C
- Size:43*22*11mm
- Weight:30g
- Max Power:144W(24V)

LED mobile phone Bluetooth controllerProduct Features

- LED Bluetooth controller is directly via mobilephone control remote distance can reach 20m without the need to setupeasy to connect open the software within 5 seconds you can automatically connect the controller
- Flow the rhythm of the music changes
- Group control
- Brightness, speed addition and subtraction
- Maximum can be 10 meters RGB(W) strip
- The software shows that the text is based onthe language of the mobile phone set up automatic transformation of Chinese and English

ANIMATION EFFECTS:

- Colorful gradient
- All kinds of monochrome, double color gradient
- All kinds of monochrome, double color, colorfull flashing
- Colorful jump
- Follow the thymhm of the music chagnes