

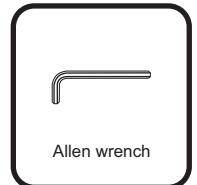
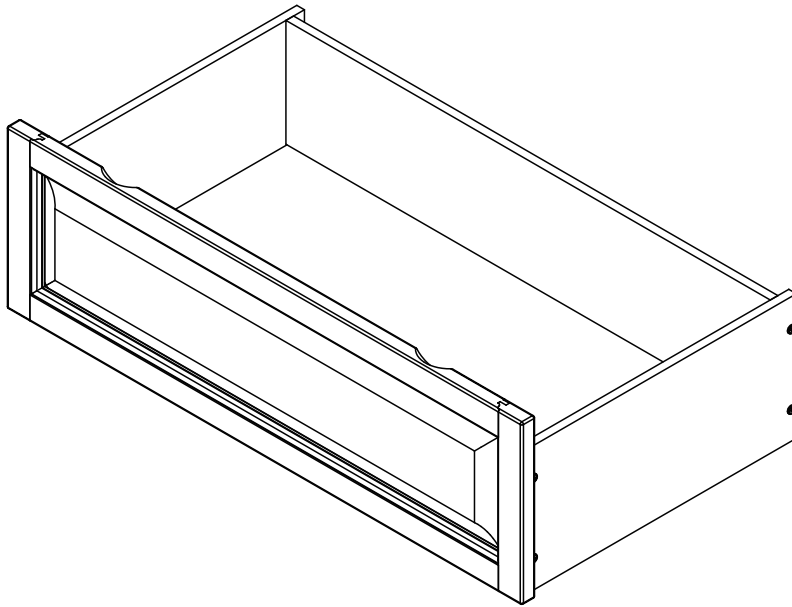
BED DRAWER

ASSEMBLY INSTRUCTIONS

Thank you for choosing our new raised panel bed drawer.

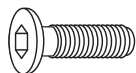
This practical design offers the utmost in versatility.

Before assembling your drawer bed, please read through these instructions carefully. Familiarize yourself with the different parts.

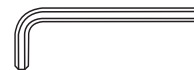


HARDWARE

NOTE : WE INCLUDE SPARE HARDWARE IN CASE DAMAGE OCCURS DURING ASSEMBLY.



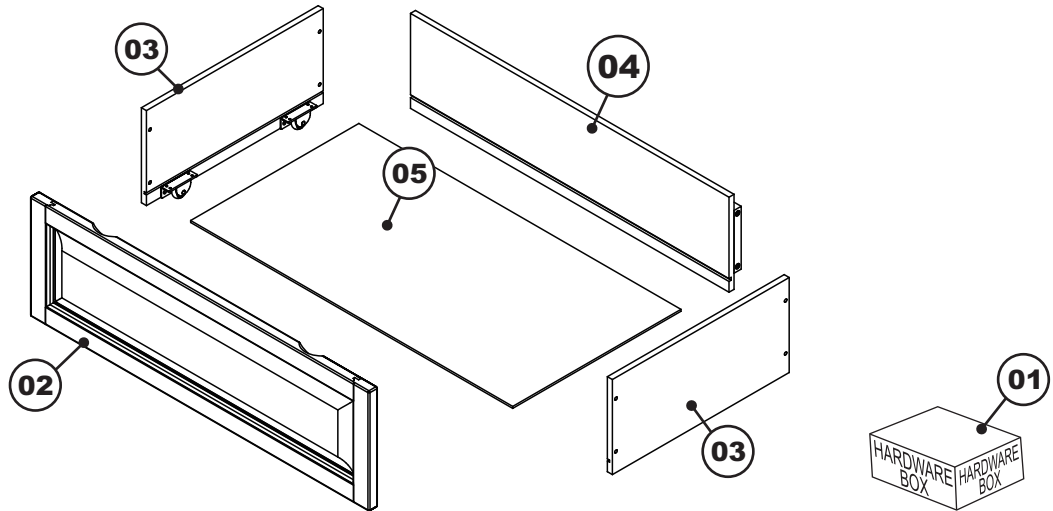
A JCB M6 X 1 1/8" (30mm) - 16 pcs
Spare - 2 pcs



B Allen wrench - 1 pc
Spare - 1 pc

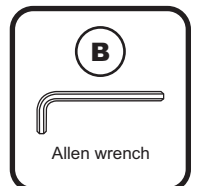
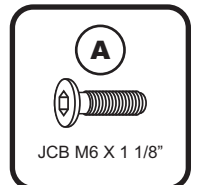
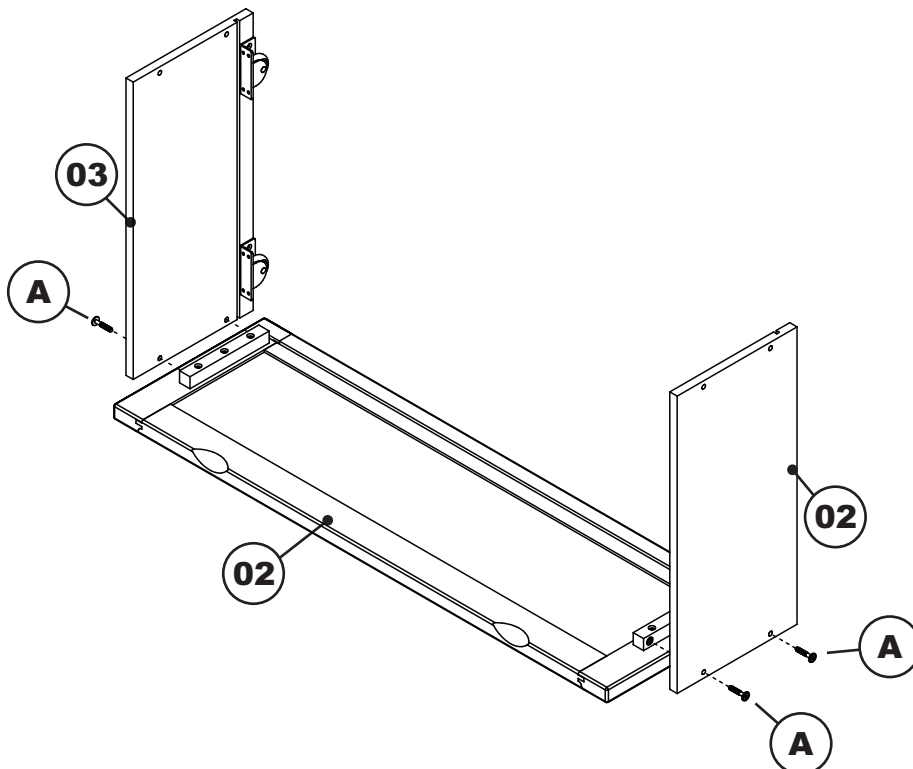
PARTS LIST

| | | | | | |
|-----------|--------------------|--------------|-----------|----------------------|--------------|
| 01 | HARDWARE | 1 BOX | 04 | DRAWER BACK | 2 PCS |
| 02 | DRAWER FACE | 2 PCS | 05 | DRAWER BOTTOM | 2 PCS |
| 03 | DRAWER SIDE | 4 PCS | | | |



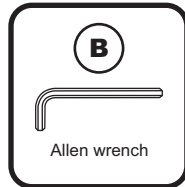
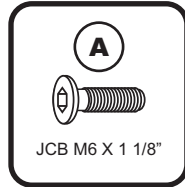
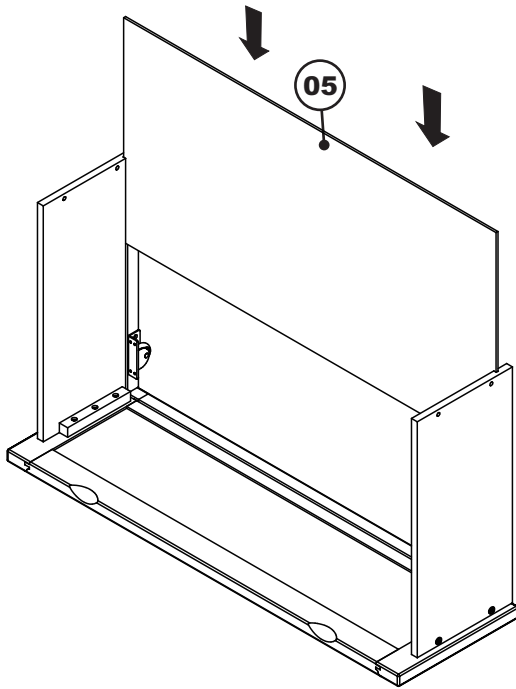
STEP 1

Lay the drawer face (02) on smooth, flat surface so the groove is facing upwards. Fit the drawer side (03) to drawer face (02), Use JCB M6 X 1 1/8" (A), align groove inside panel with groove in drawer face. Tighten with Allen wrench (B).



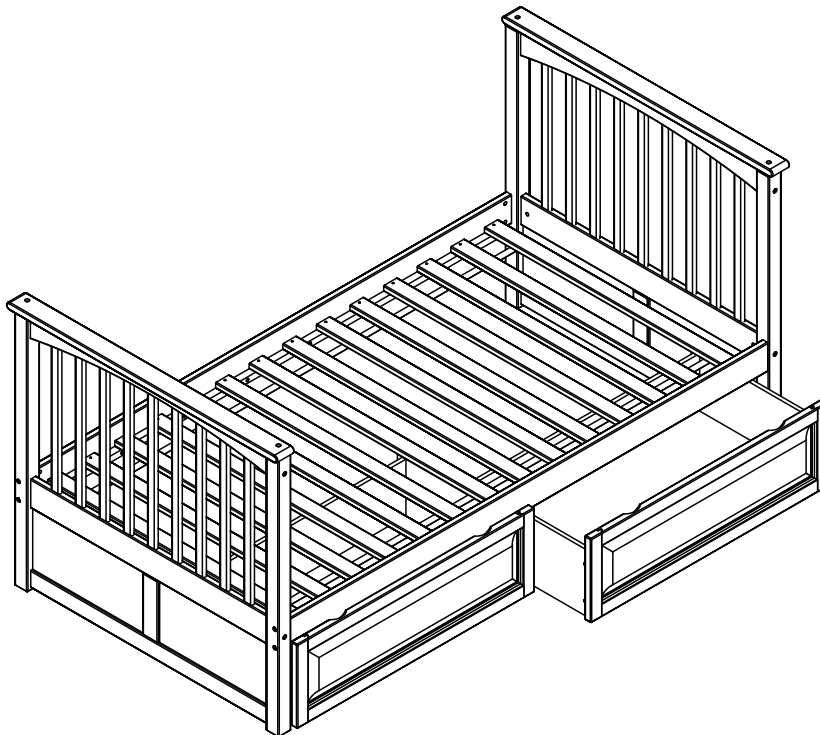
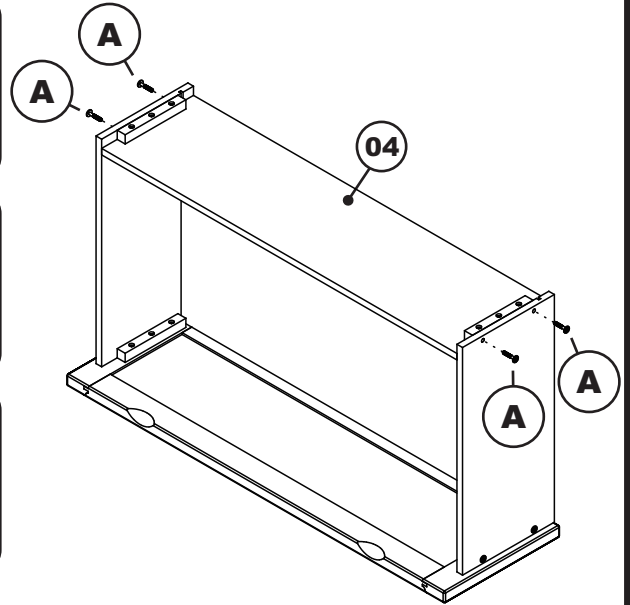
STEP 2

Guide the drawer bottom (05) in carefully so that it won't jump out of its grooves. Be sure it fits fully into its groove at the bottom (in the drawer face) before fitting the drawer back.



STEP 3

Attach drawer back (04) to bed drawer assembly as shown. Use JCB M6 X 1 1/8" (A). Tighten with Allen wrench (B).



Congratulations!

Your bed drawers are now ready for use.

We recommend that you recheck that all screws are tight