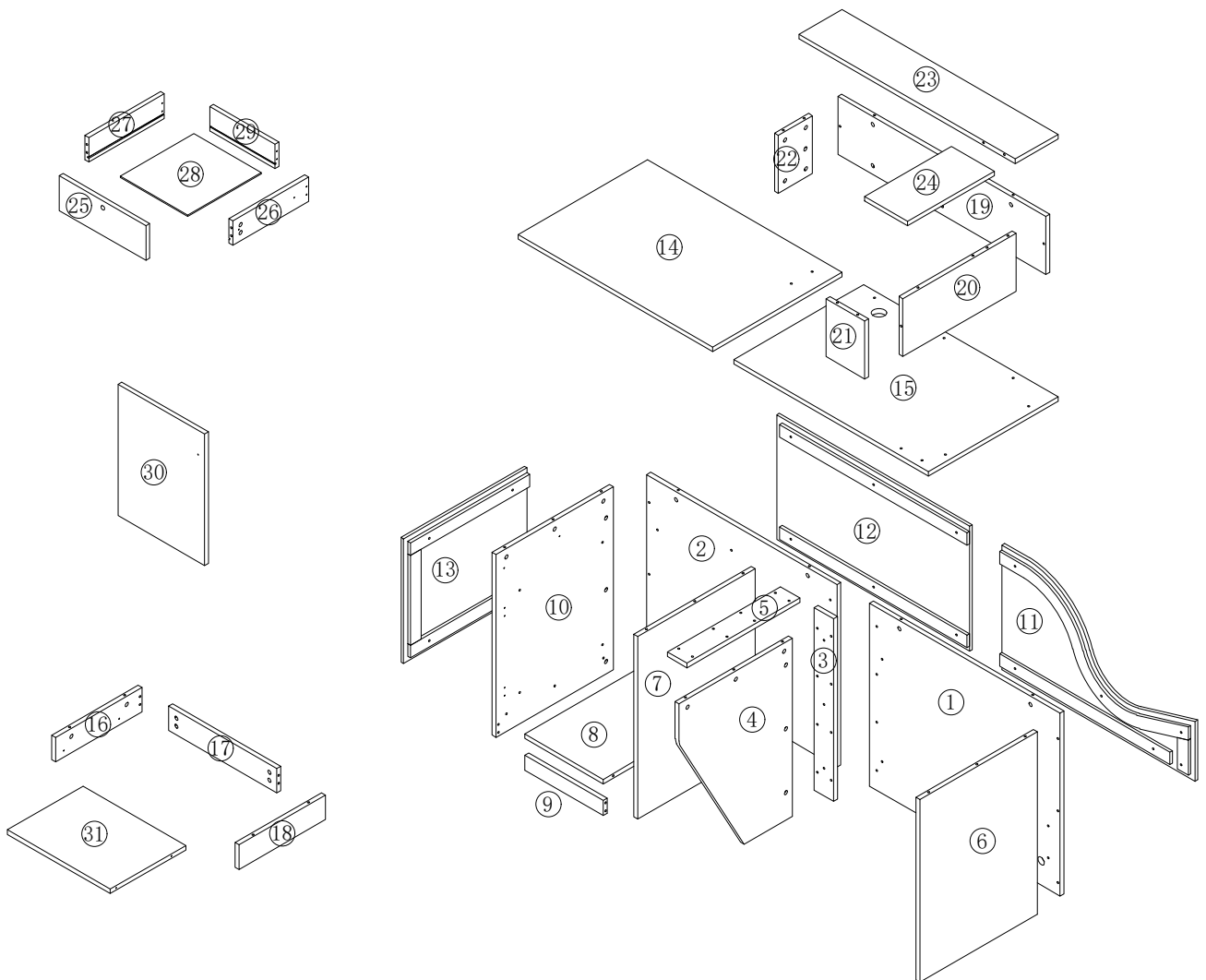
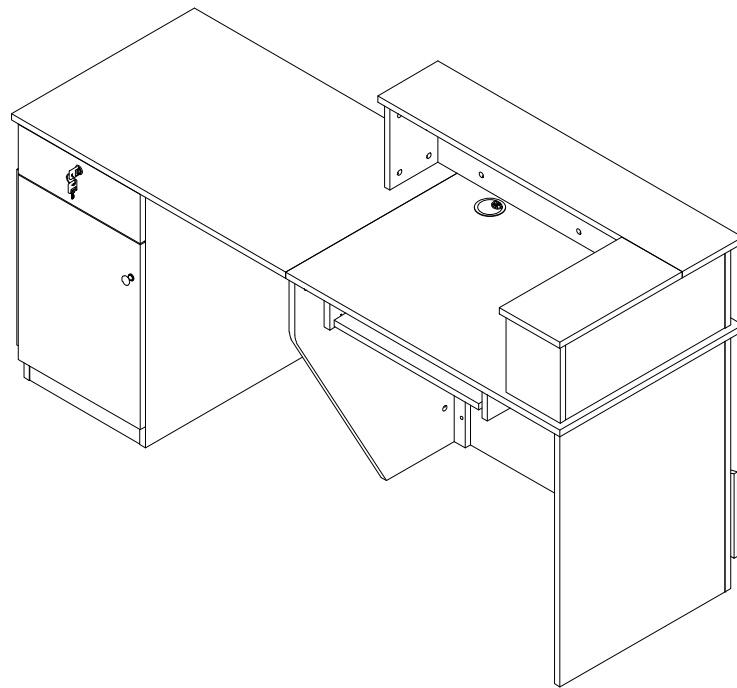
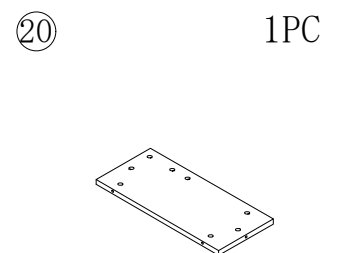
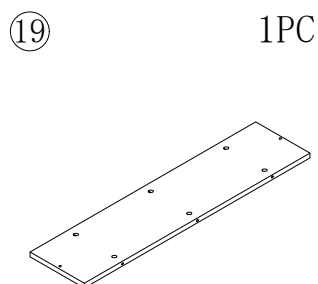
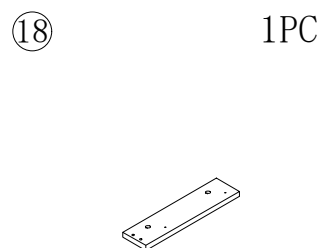
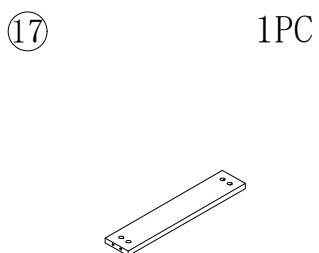
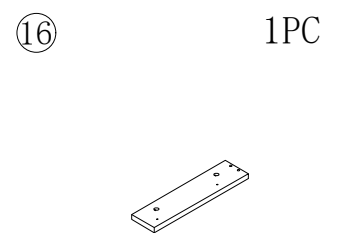
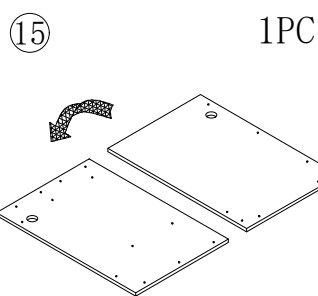
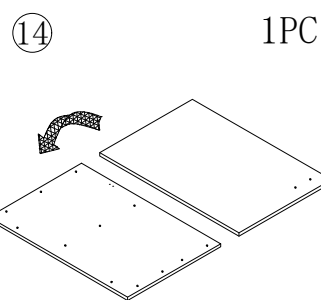
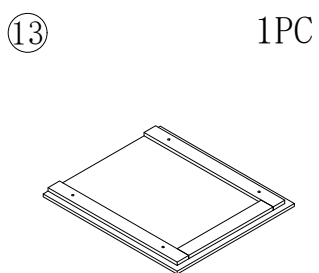
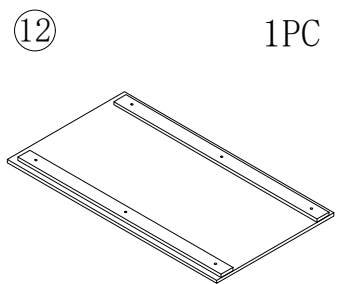
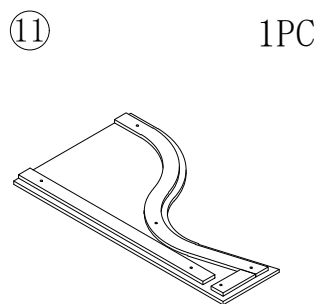
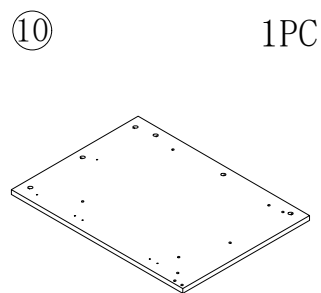
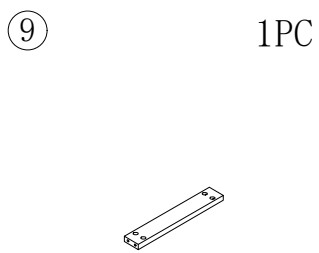
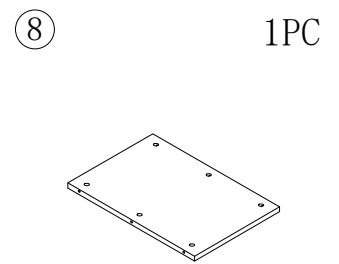
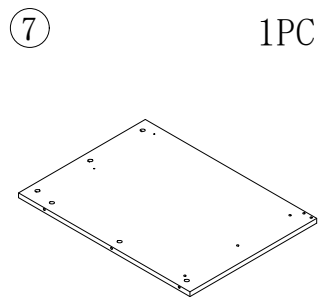
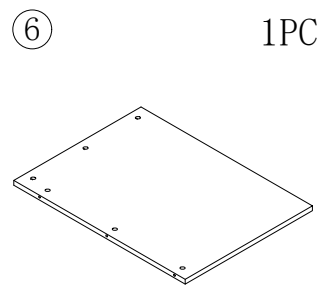
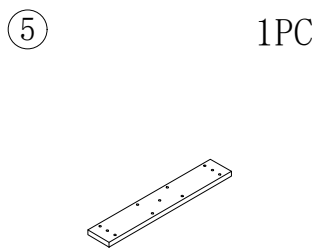
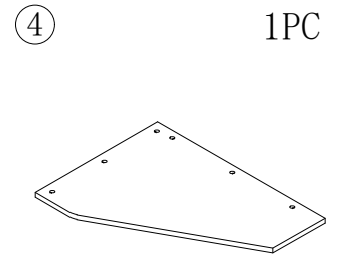
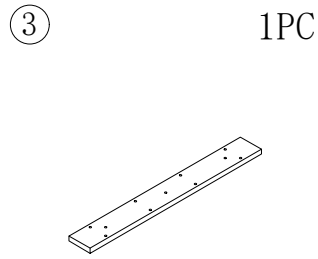
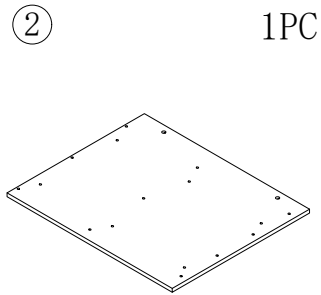
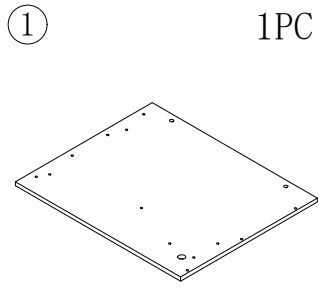


# ASSEMBLY INSTRUCTION



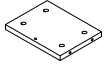
# ASSEMBLY INSTRUCTION



# ASSEMBLY INSTRUCTION

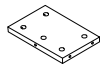
⑳

1PC



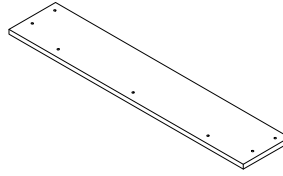
㉑

1PC



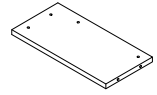
㉒

1PC



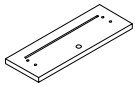
㉓

1PC



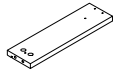
㉔

1PC



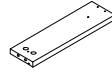
㉕

1PC



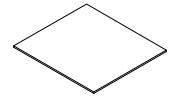
㉖

1PC



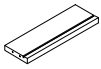
㉗

1PC



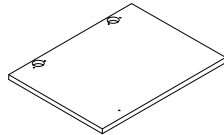
㉘

1PC



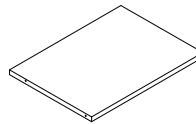
㉙

1PC

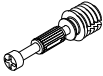






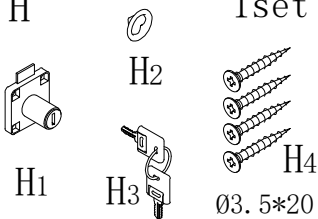


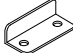
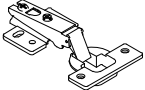

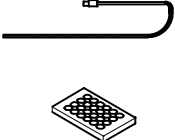




㉚

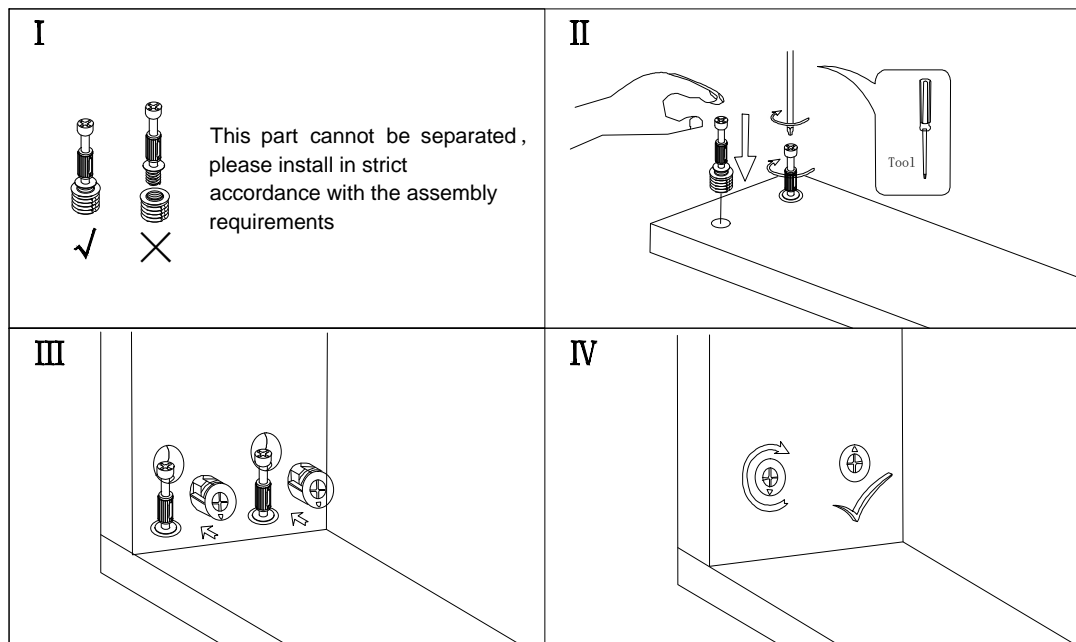
1PC



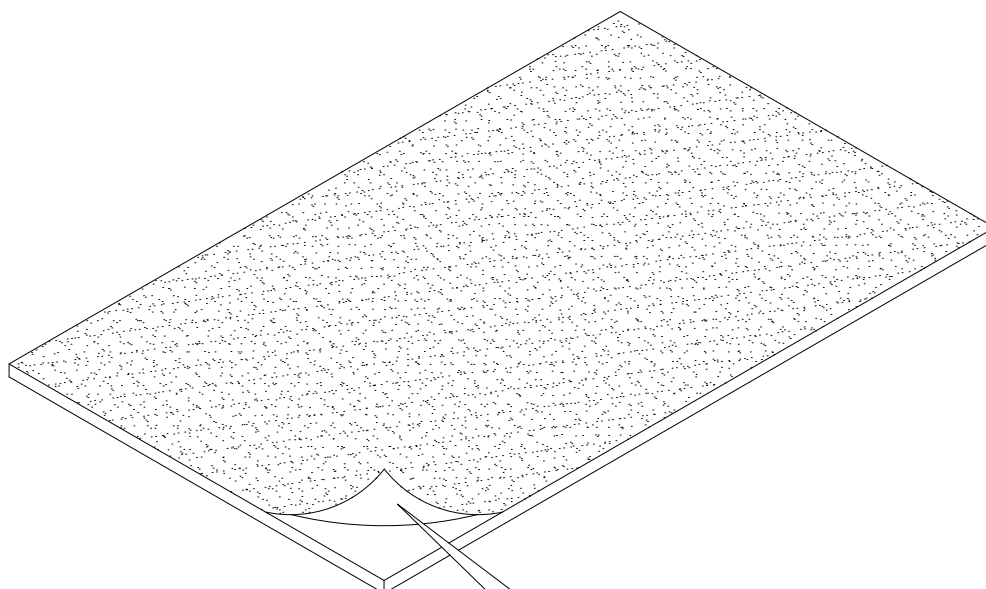
# ASSEMBLY INSTRUCTION

<p>A 73PCS</p>  <p>M6*40</p>	<p>B 73PCS</p>  <p>Ø15*9.5</p>	<p>C 30PCS</p>  <p>Ø3.5*14</p>	<p>D 12PCS</p> 
<p>E 1set</p>  <p>M4*22</p>	<p>F 4PCS</p>  <p>14"</p>	<p>G 4PCS</p>  <p>Ø3.5*40</p>	<p>H 1set</p>  <p>H1 H2 H3 H4 Ø3.5*20</p>
<p>I 32PCS</p>  <p>M6*27</p>	<p>J 2PCS</p>  <p>Ø6*40</p>	<p>K 1PC</p>  <p>29*13*9</p>	<p>L 2PCS</p> 
<p>M 1PC</p>  <p>Ø50</p>	<p>N 1set</p> 	<p>O 73PCS</p> 	

## "A" Hardware installation example



Attention, please! Before installation, please remove the transparent protective film from the surface of the board.



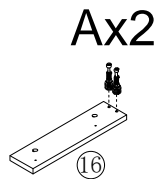
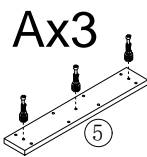
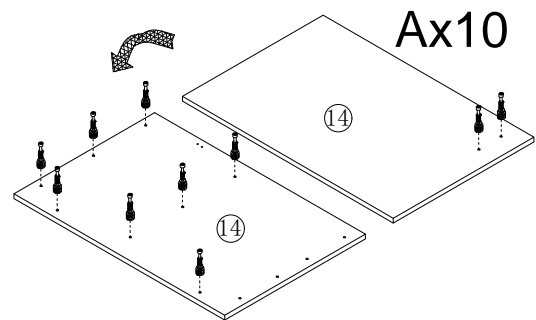
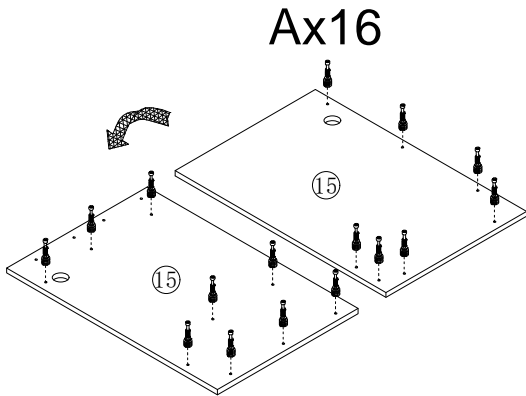
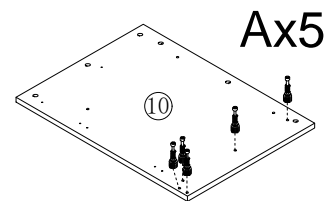
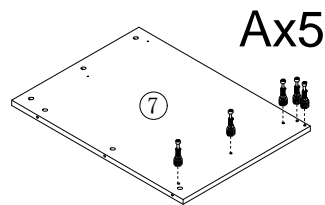
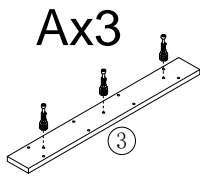
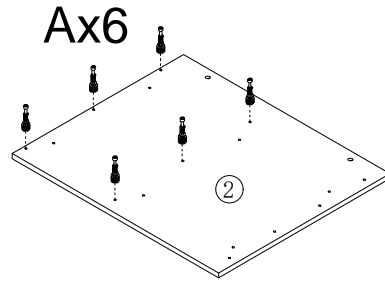
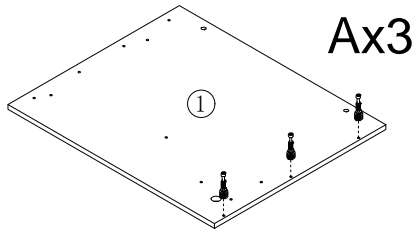
Please remove the protective paper by hand.

## Step 1

A 55PCS



M6\*40



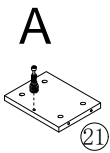
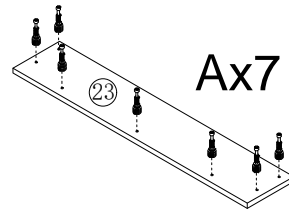
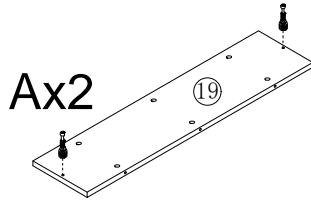
# ASSEMBLY INSTRUCTION

## Step 2

A 18PCS

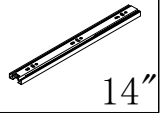


M6\*40



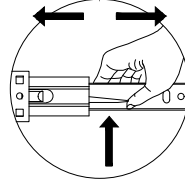
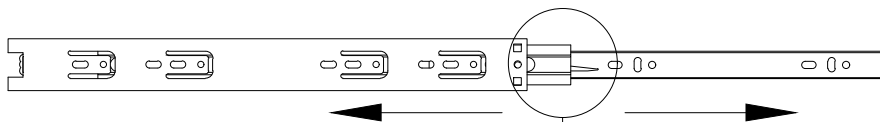
## Step 3

F 4PCS



14"

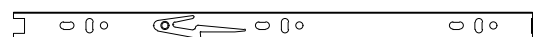
Fx4



F<sub>1</sub>



F<sub>2</sub>



# ASSEMBLY INSTRUCTION

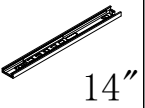
## Step 4

C 8PCS

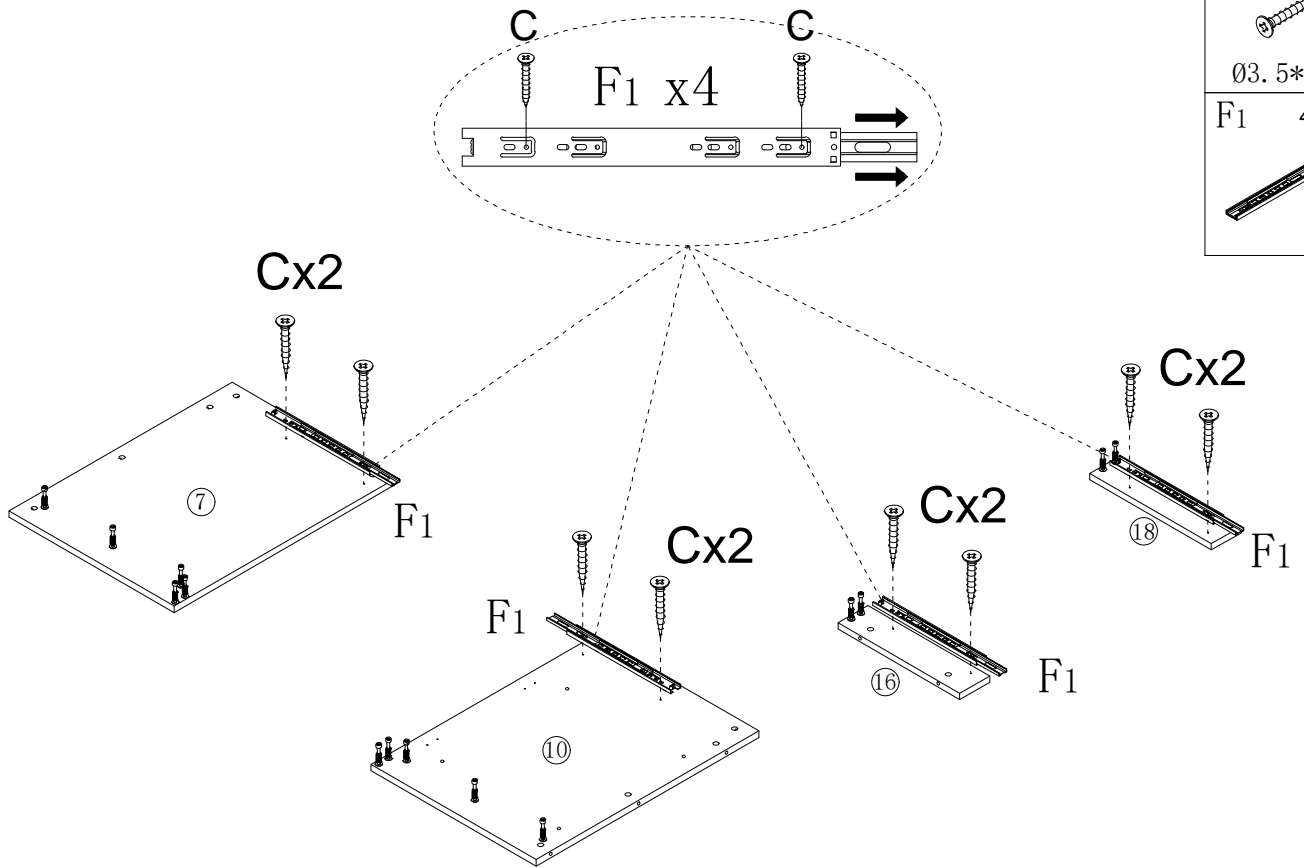


Ø3.5\*14

F1 4PCS



14"

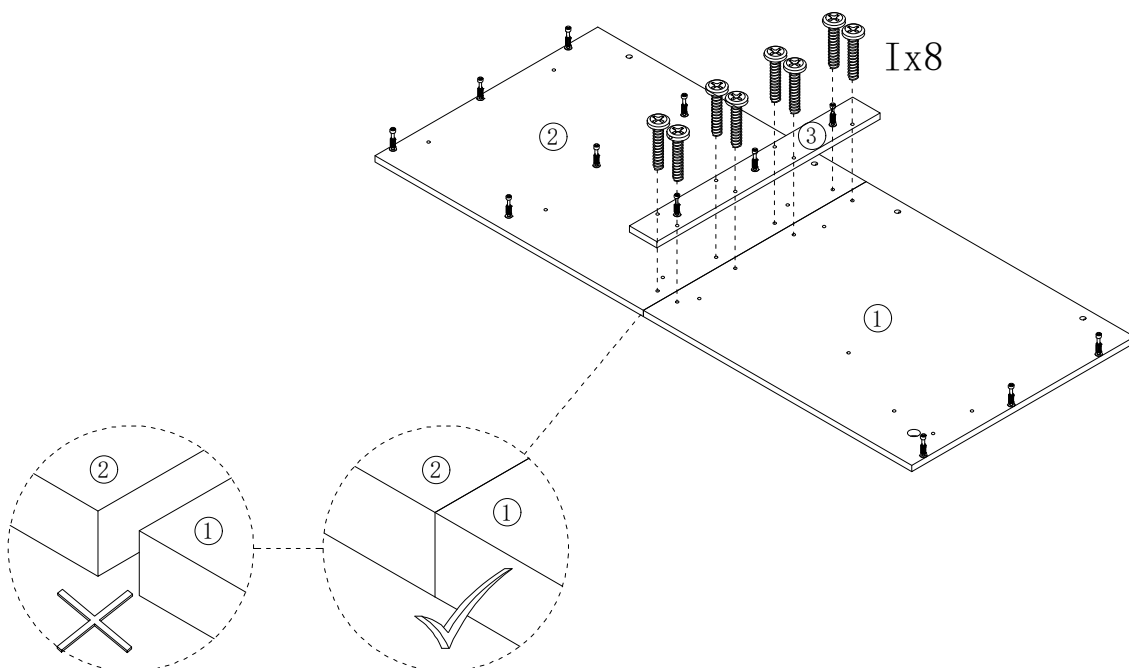


## Step 5

I 8PCS



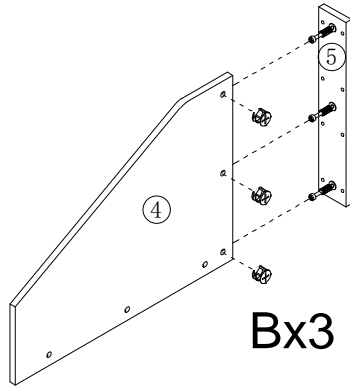
M6\*27



# ASSEMBLY INSTRUCTION

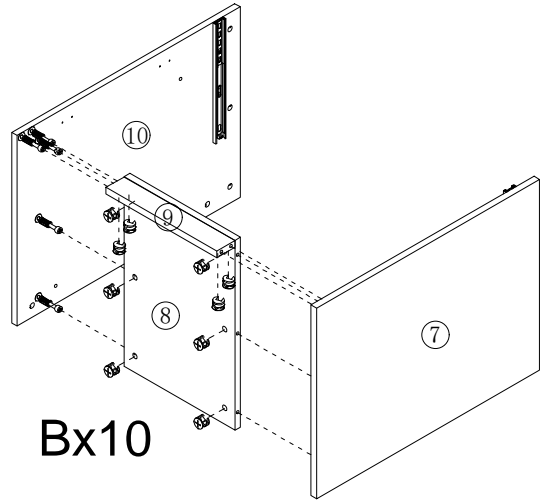
## Step 6

B 3PCS  
Ø15\*9.5



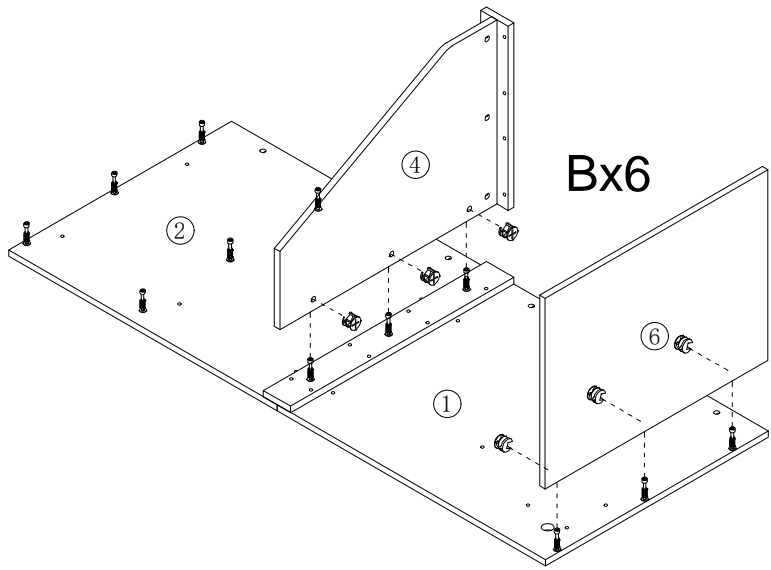
## Step 7

B 10PCS  
Ø15\*9.5




## Step 8

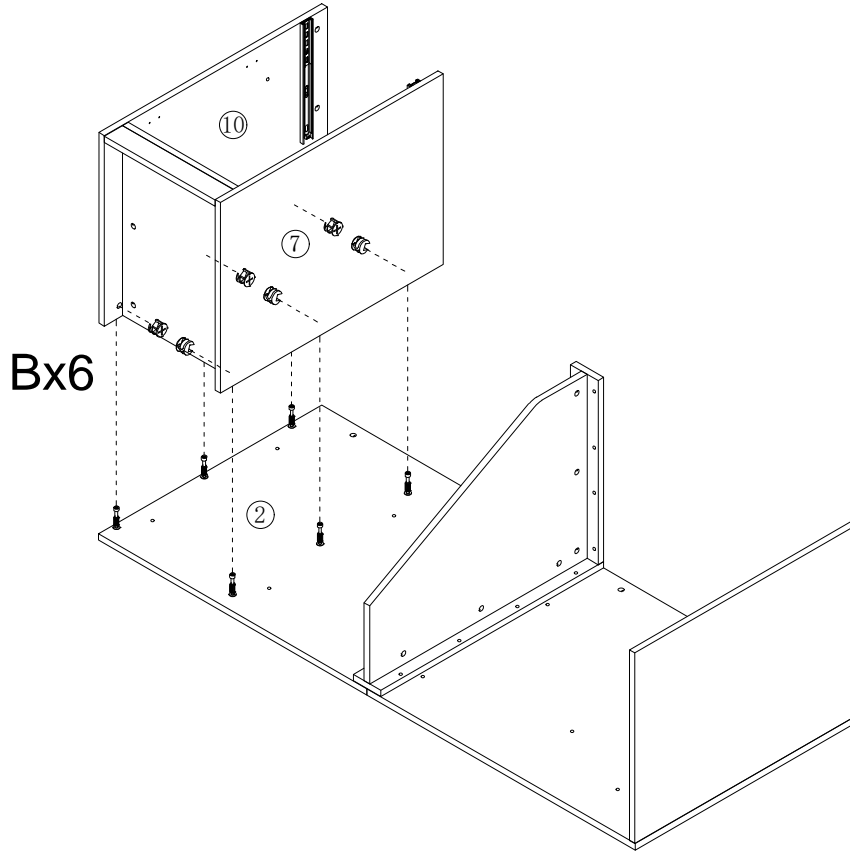
B 6PCS  
Ø15\*9.5




# ASSEMBLY INSTRUCTION

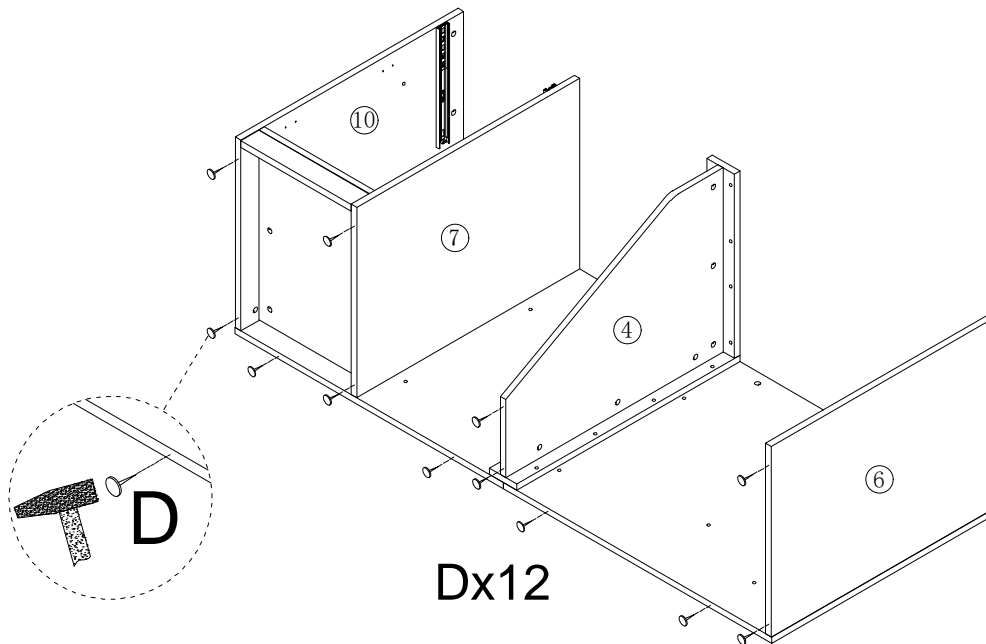
## Step 9

B 6PCS  
  
Ø15\*9.5



## Step 10

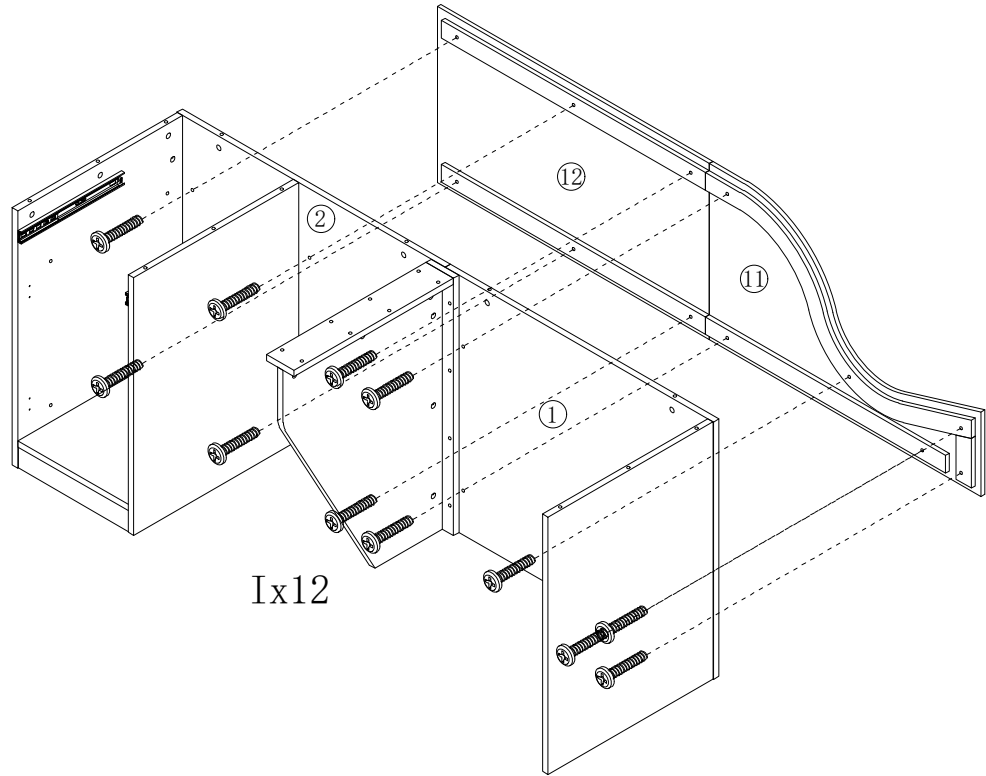
D 12PCS  




# ASSEMBLY INSTRUCTION

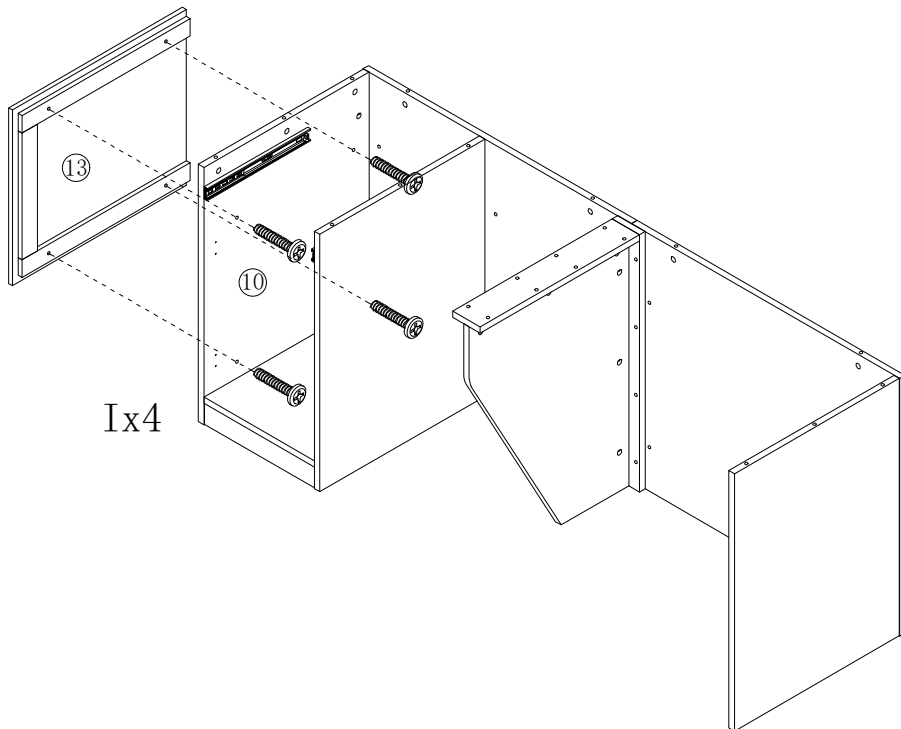
## Step 11

I 12PCS  
M6\*27

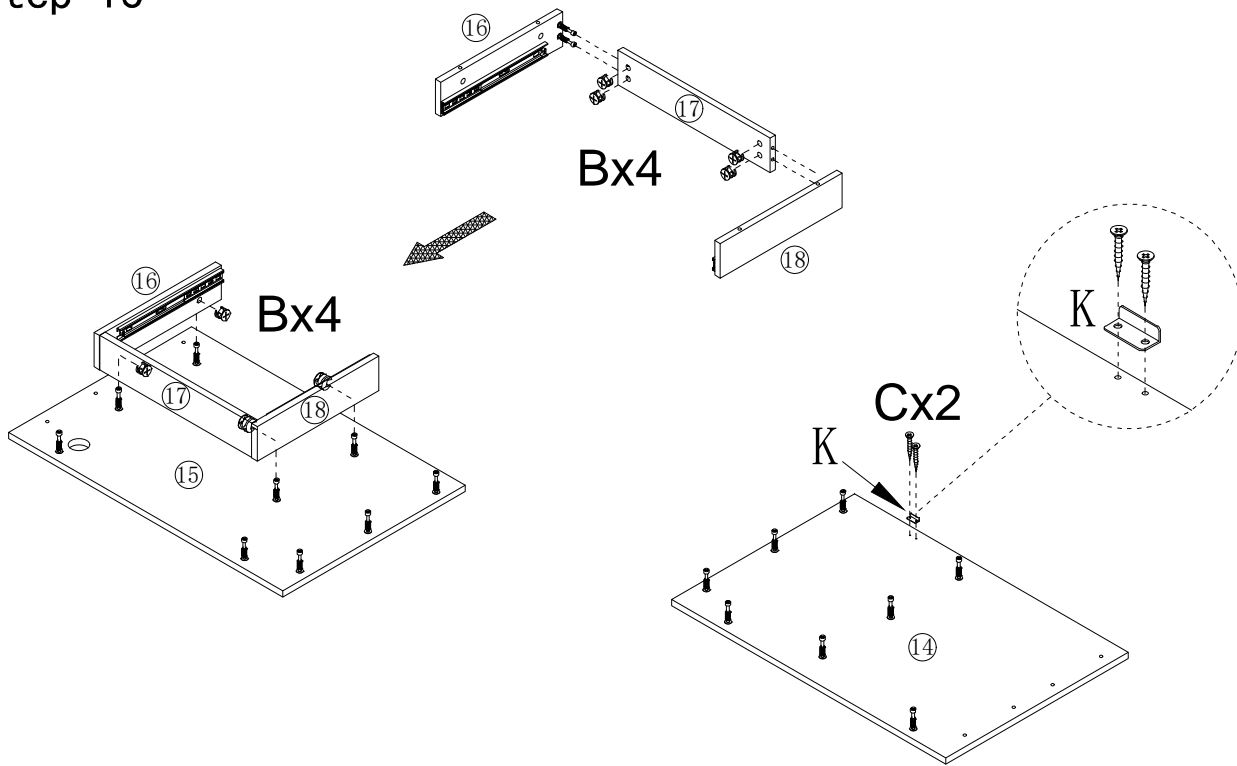




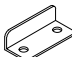
## Step 12

I 4PCS  
M6\*27

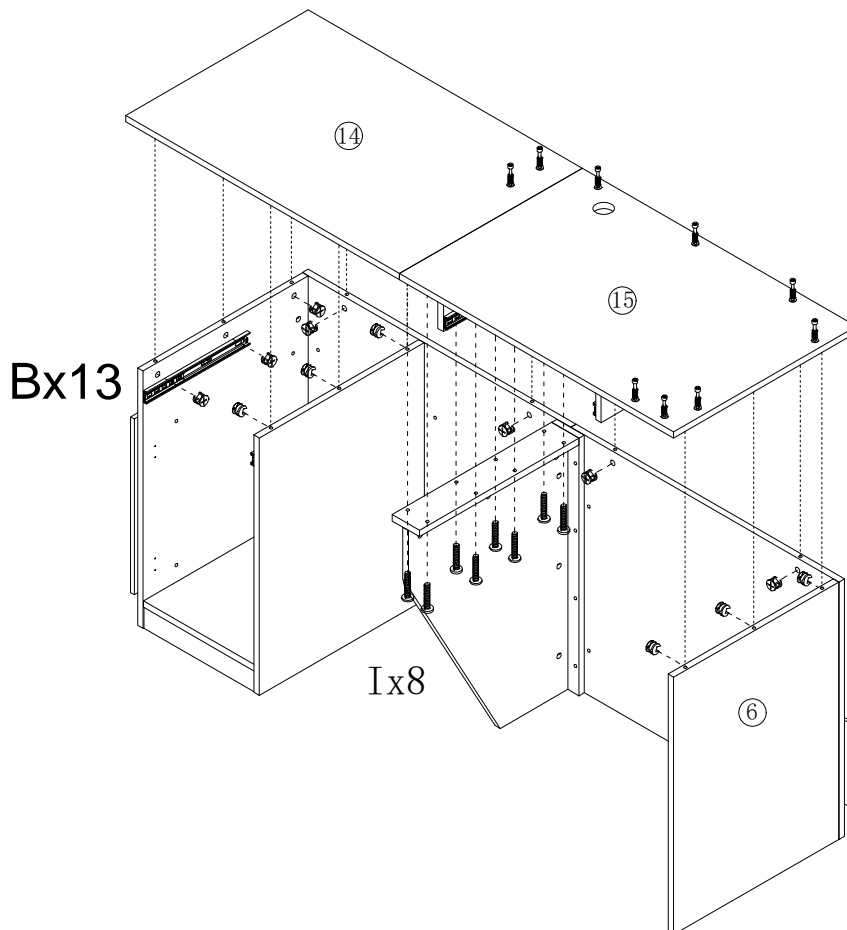




## Step 13




B	8PCS
	Ø15*9.5
C	2PCS
	Ø3.5*14
K	1PC
	

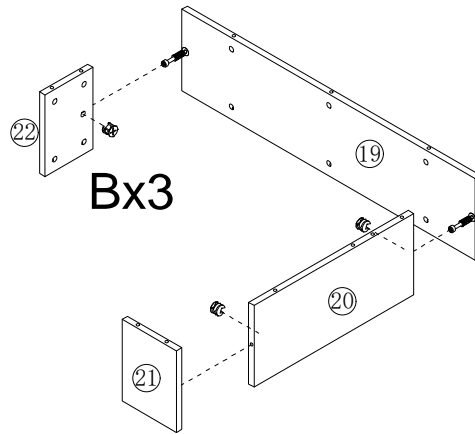
## Step 14




B	13PCS
	Ø15*9.5
I	8PCS
	M6*27

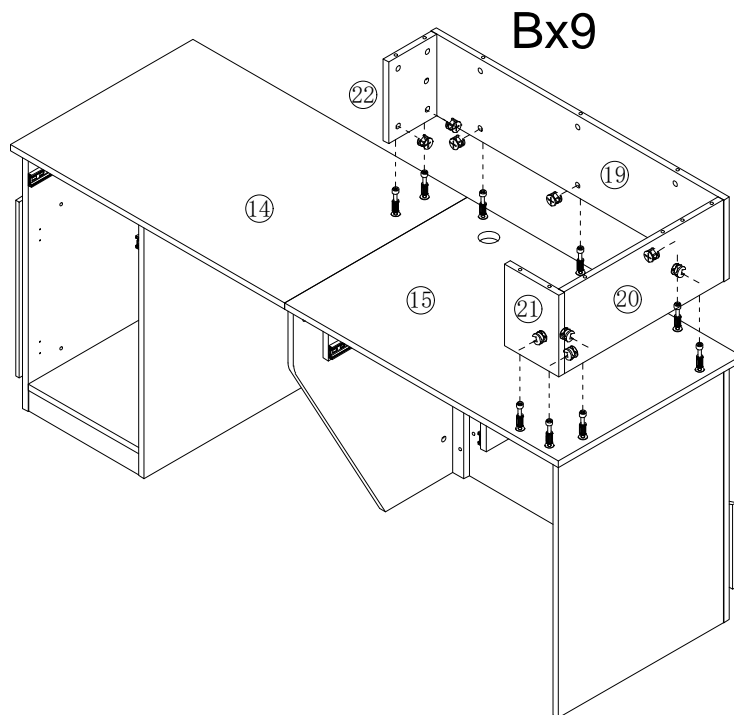
## Step 15

B 3PCS  
  
Ø15\*9.5



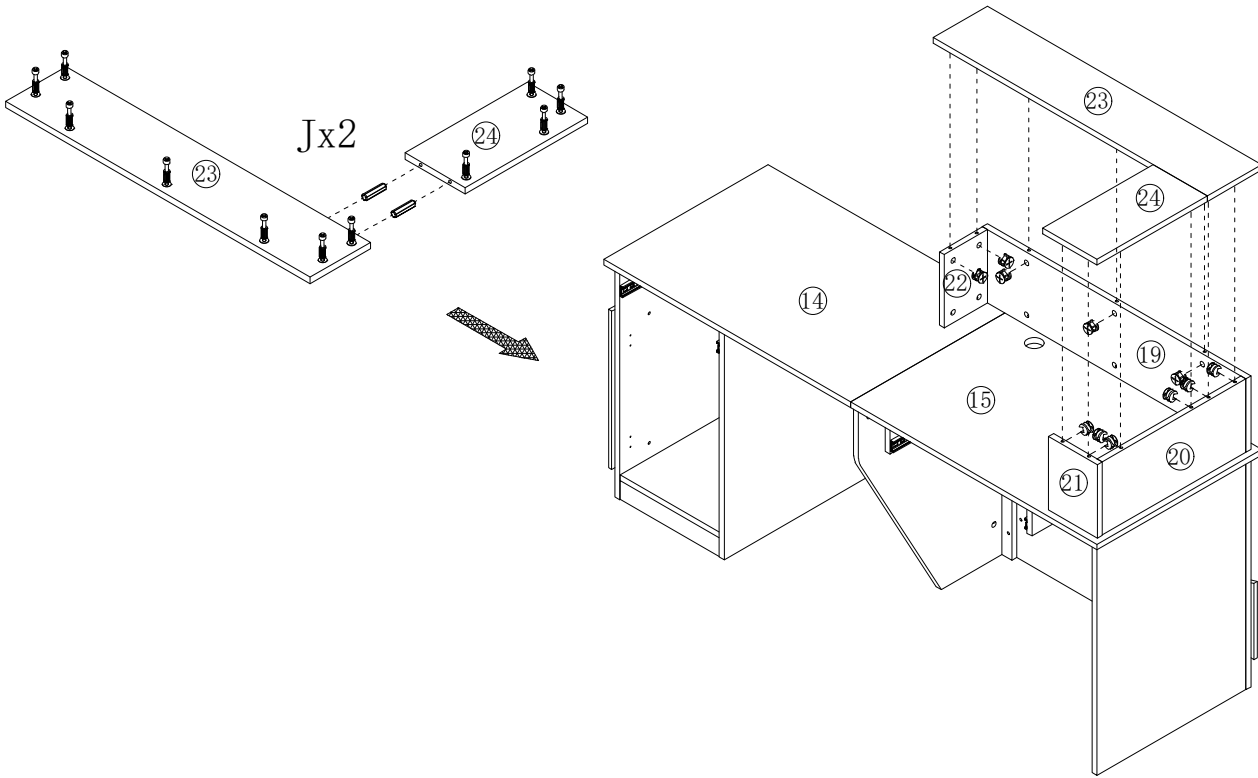
## Step 16



B 9PCS  
  
Ø15\*9.5



# ASSEMBLY INSTRUCTION

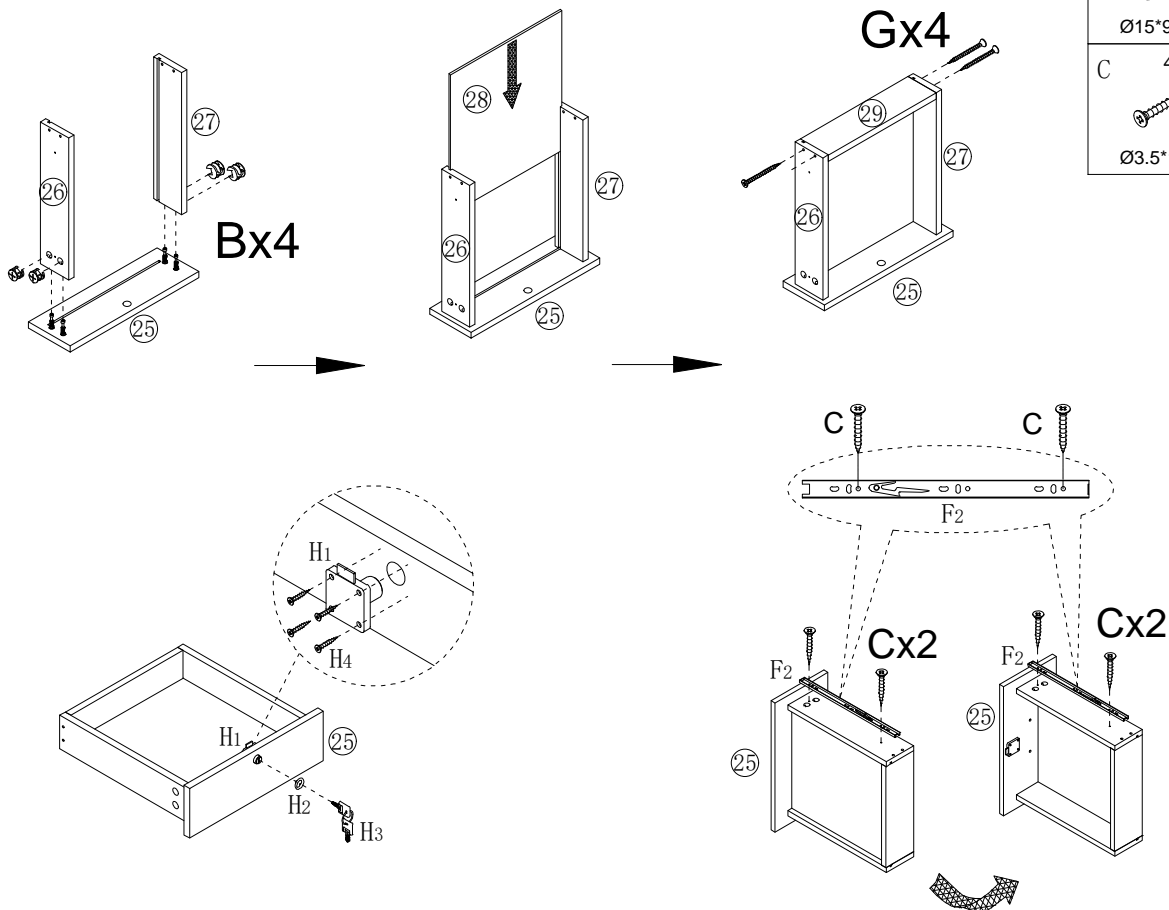
## Step 17





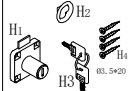


B	11PCS
	
Ø15*9.5	
J	2PCS
	
Ø6*40	

Bx11

## Step 18



B	4PCS	F <sub>2</sub>	2PCS
			
Ø15*9.5		14"	
C	4PCS	G	4PCS
			
Ø3.5*14		Ø3.5*40	
H 1set			
			

Bx4

Gx4

H<sub>1</sub>

H<sub>2</sub>

H<sub>3</sub>

H<sub>4</sub>

C

C

F<sub>2</sub>

F<sub>2</sub>

F<sub>2</sub>

Cx2

Cx2

H<sub>1</sub>

H<sub>2</sub>

H<sub>3</sub>

H<sub>4</sub>

C

C

F<sub>2</sub>

F<sub>2</sub>

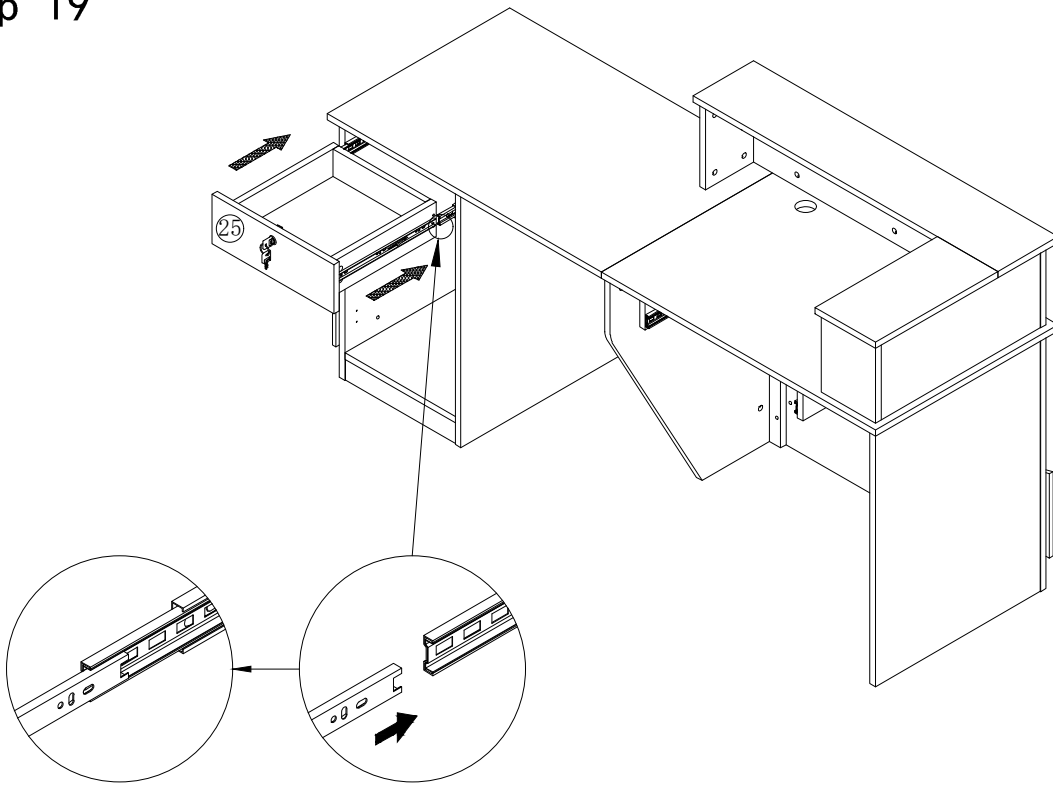
F<sub>2</sub>

Cx2

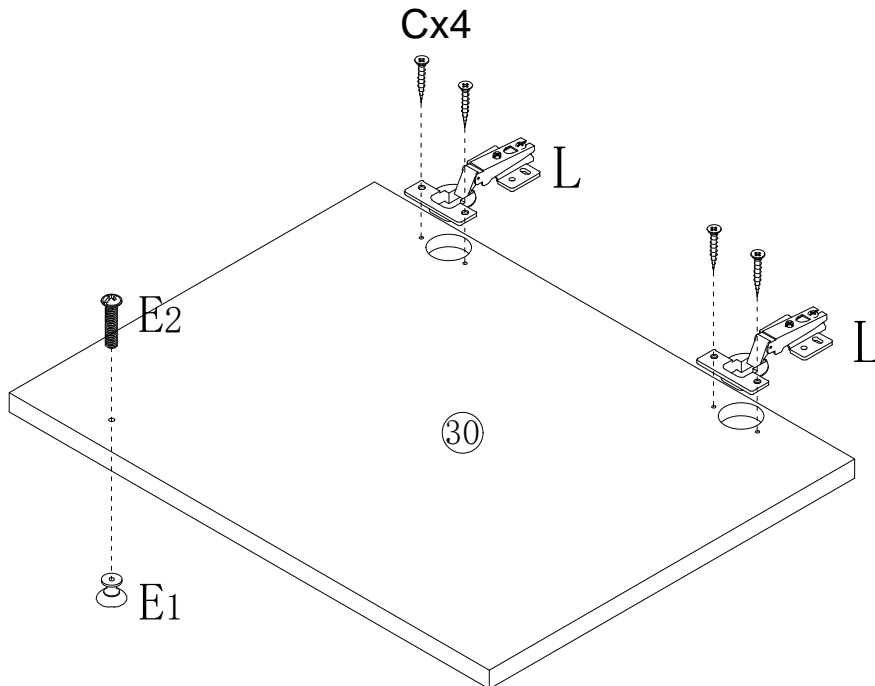
Cx2




# ASSEMBLY INSTRUCTION

## Step 19




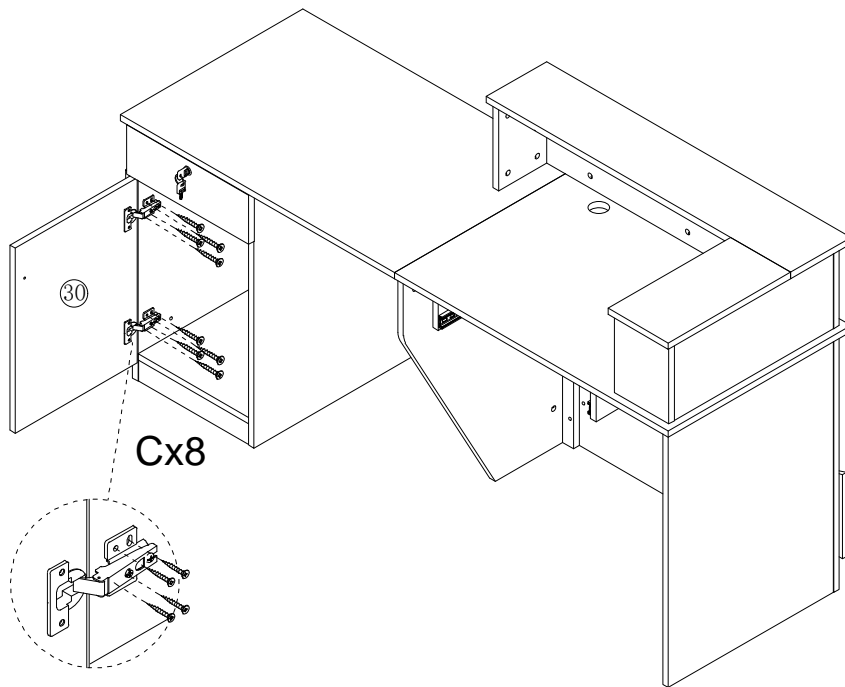
## Step 20






C	4PCS
	Ø3.5*14
E	1set
	M4*22
L	2PCS
	

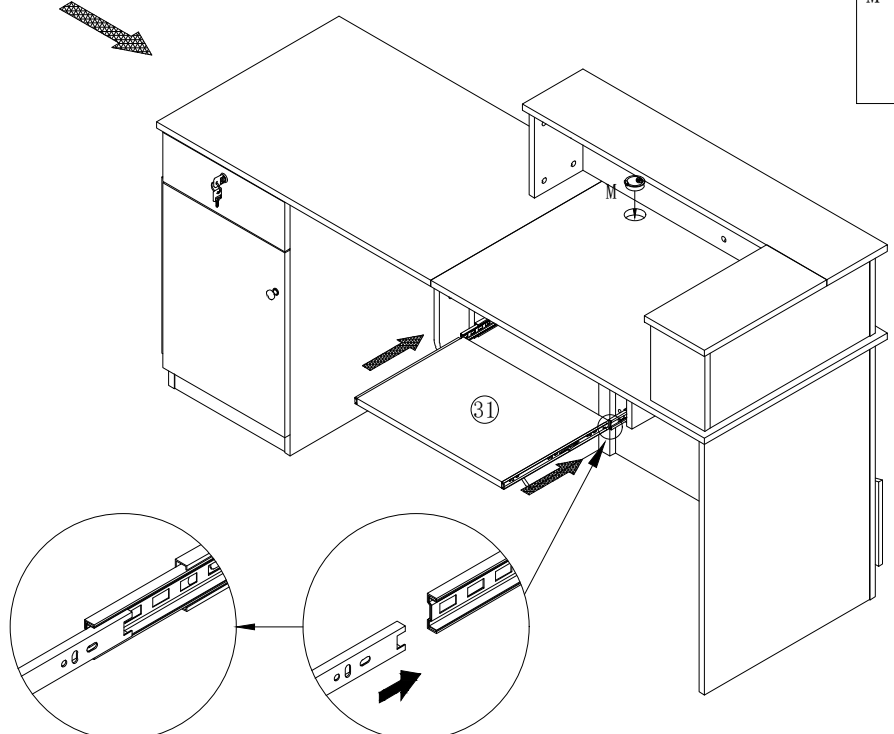
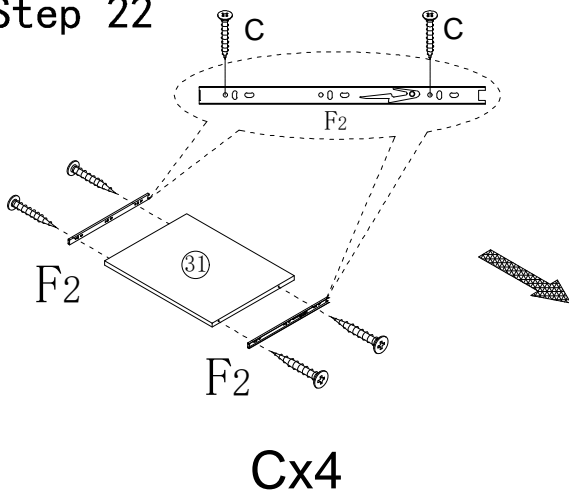
## Step 21

C	8PCS
	
Ø3.5*14	

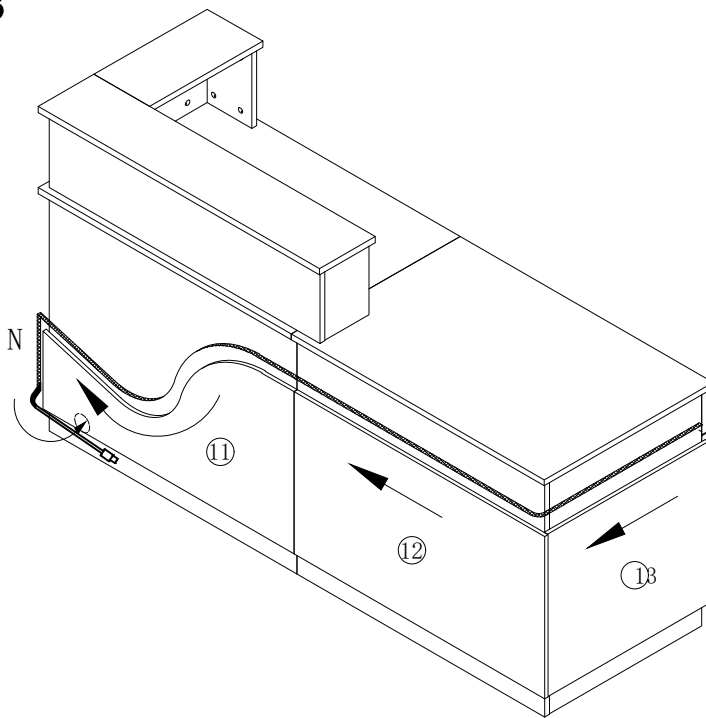
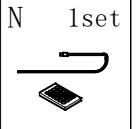


## Step 22

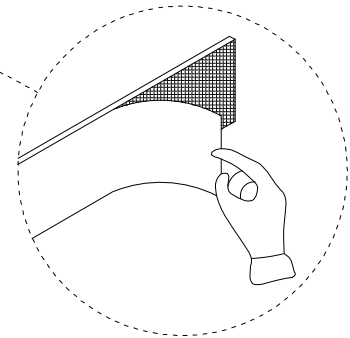
C	4PCS
	
Ø3.5*14	
F2	2PCS
	
14"	
M	1PC
	
Ø50	



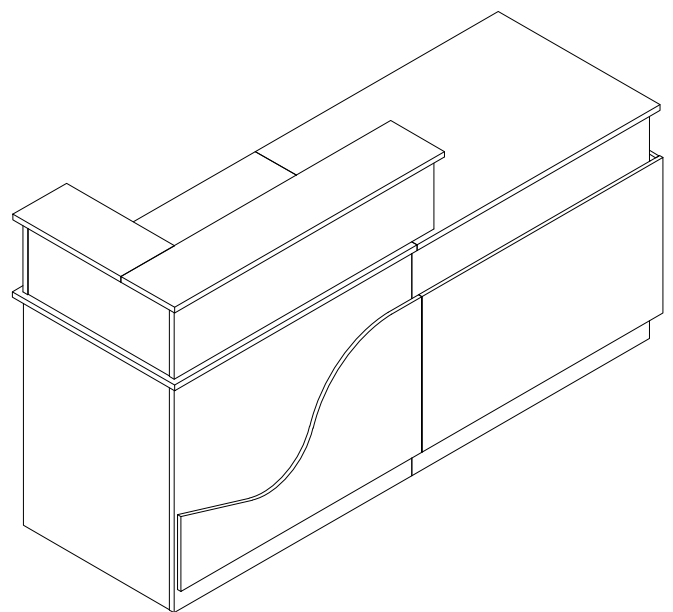
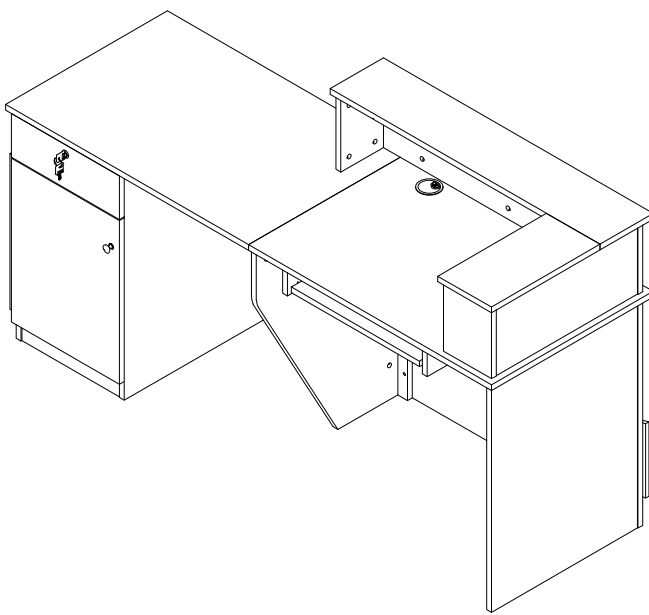
## Step 23



Before installing the LED strip Peel off the blue sticker on the back of the LED strip.



## Step 24



OK