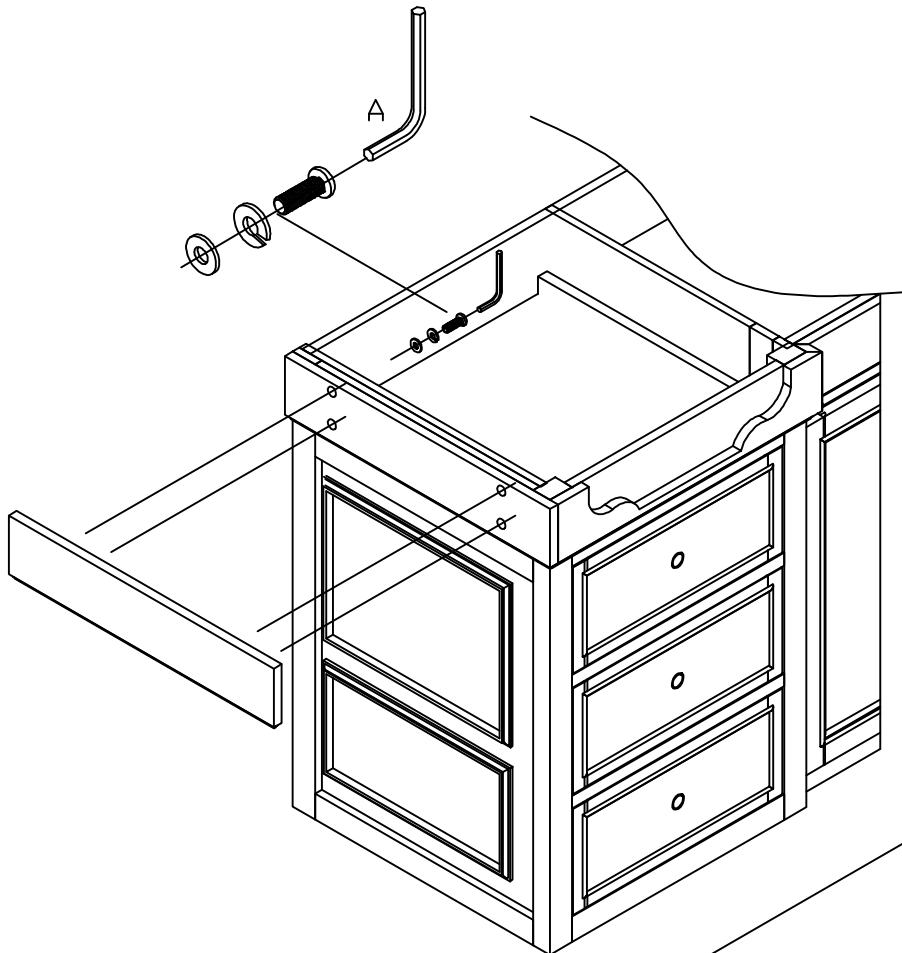


Vanity Assembly Instructions

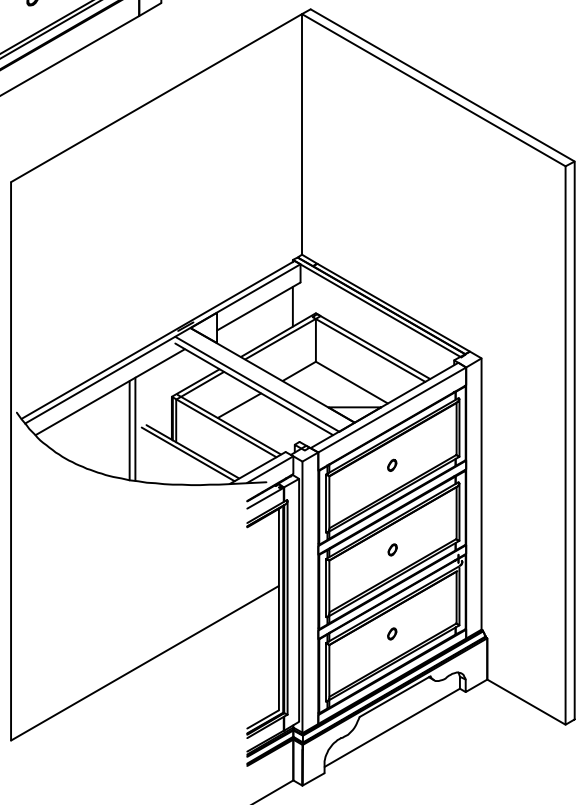


Note 1: cabinets feature removable side base moulding (Kick plates) to allow for flush placement against side walls and corners.

Step 1: To remove the side base moulding, place the vanity cabinet upside down on a blanket or similar soft material.

Step 2: Remove the bolt, the Flat Washer and the Spring Washer from underneath of the bottom side, the Allen Wrench needed to remove the bolts is included in the specially red marked hardware bag.

Noted 2: Please stock your side base moulding and hardwares in a safe place for future uses.



A=1PC

Ø4



Made in China