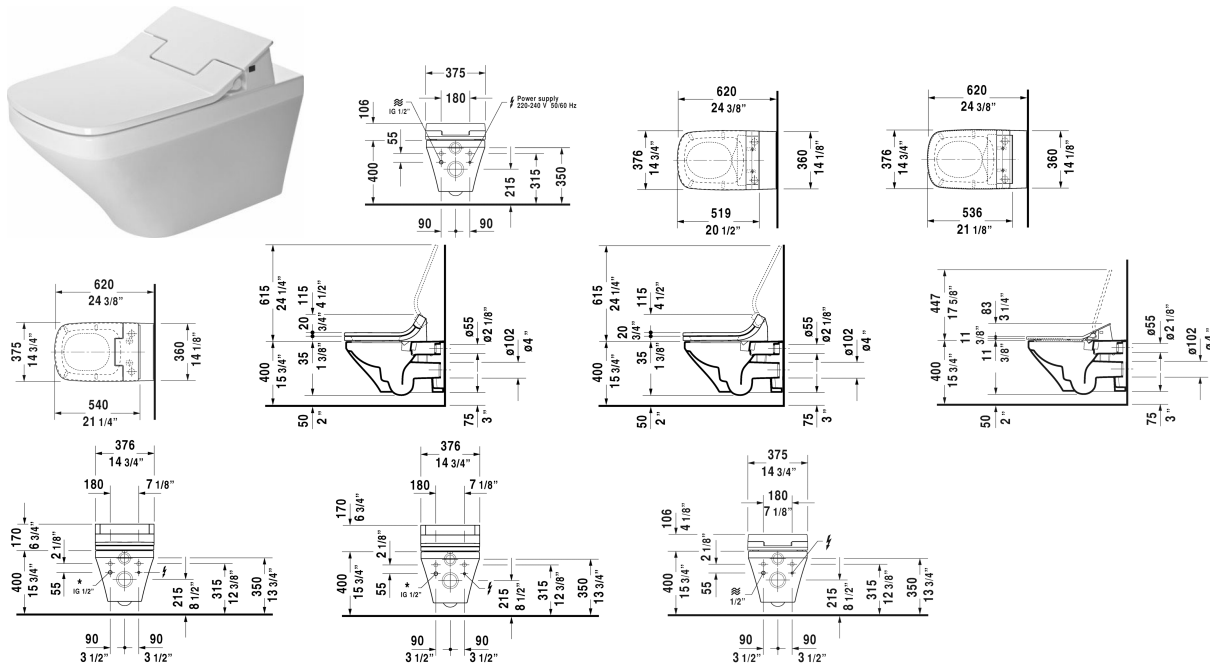


**DuraStyle Toilet wall-mounted Duravit Rimless for SensoWash®** | < 14 5/8" X 24 3/8" Inch >  
 # 254259..92 / 254259..92



Toilet wall-mounted Duravit Rimless for SensoWash®	Dimension	Weight	Order number
rimless, washdown model, only in combination with SensoWash, connecting elements for SensoWash with concealed connections included, Durafix included, cUPC® listed*, WaterSense® listed			
<b>Colors</b>			
00 White 20 HygieneGlaze (an antibacterial ceramic glaze that provides almost indefinite effectiveness)			
<b>Variant</b>			
● 1.6/0.8 gpf	14 5/8" X 24 3/8" Inch	62.4 lb	254259..92
● 1.6/0.8 gpf	14 5/8" X 24 3/8" Inch	62.4 lb	254259..92
<b>Infobox</b>			
Durafix for concealed installation is included, Wall-mounted toilet is ADA compliant, when installed with a seat height of 17" - 19" from the finished floor, * Complies with following standards: ASME A112.19.2/CSA B45.1 and ASME A112.19.14, in-wall tank & carrier and actuator plate required for installation, If using in-wall tank & carrier other than DuraSystem, # 100691 is mandatory for SensoWash® installation			
Sanitary ceramics with the special WonderGliss surface finish will remain clean and attractive-looking for a long time to come. When ordering WonderGliss please add a "1" as eleventh digit to the model number.			

**DuraStyle Toilet wall-mounted Duravit Rimless for SensoWash® | < 14 5/8" X 24 3/8" Inch > | # 254259..92 / 254259..92**

Noise reduction gasket for wall-mounted toilet		0.7 lb	005064
Actuator plate A1, for toilet, plastic mechanical actuation, for surface mounted installation, dual flush, mounting frame, mounting hardware included, push rods, front plate plastic	8 1/2" x 5 3/4" Inch	0.7 lb	WD5008
Toilet in-wall tank & carrier, Standard WaterSense® listed, For 2"x4" and 2"x6" wall installation, for toilets with a projection of <= 24 5/8", adjustable feet 0" - 9 1/2", SensoWash ready, mechanical front flush actuation, includes in-wall tank, marking of filling height, dual flush, insulated against condensation, Scope of delivery, HDPE wall-mounted toilet connection bend DN 90/90, PE wall-mounted toilet connection set DN 90, wall-mounted mounting rods M12, mounting hardware included, 2 bolt caps, cUPC® listed*, Load capacity = 880 lbs	23 1/4" x 45 1/4" Inch	35.3 lb	WD1022
Connecting set in combination with SensoWash shower-toilet seat			100691
Pre-installation set in combination with SensoWash, for in-wall carrier with horizontal support without shower toilet pre-installation/conduit pipe			005072
<b>Suitable products</b>			
SensoWash® Starck C shower-toilet seat for DuraStyle* Rear-, Lady- and Comfortwash, individual adjustment of water-, air- and seat surface temperature as well as nozzle position and jet strength, heated seat, warm air dryer, power actuated lid and seat, night light, 2 individually programmable user profiles, remote control included, self-cleaning wand, on / off-button, with concealed connections, Quick release: easy seat unit removal and attachment, 14 3/4" x 20 1/2" Inch	14 3/4" x 20 1/2" Inch		610200
SensoWash® Slim shower-toilet seat for DuraStyle* Rear-, Lady- and Comfortwash, with slow close, night light, remote control included, locking function via remote control, self-cleaning wand, on / off-button, with concealed connections, automatic drainage in periods of prolonged disuse, 14 3/4" x 21 1/4" Inch	14 3/4" x 21 1/4" Inch		611200

*All drawings contain the necessary measurements which are subject to standard tolerances. They are stated in inch & mm and are non-binding. Exact measurements, in particular for customized installation scenarios, can only be taken from the finished ceramic piece.*