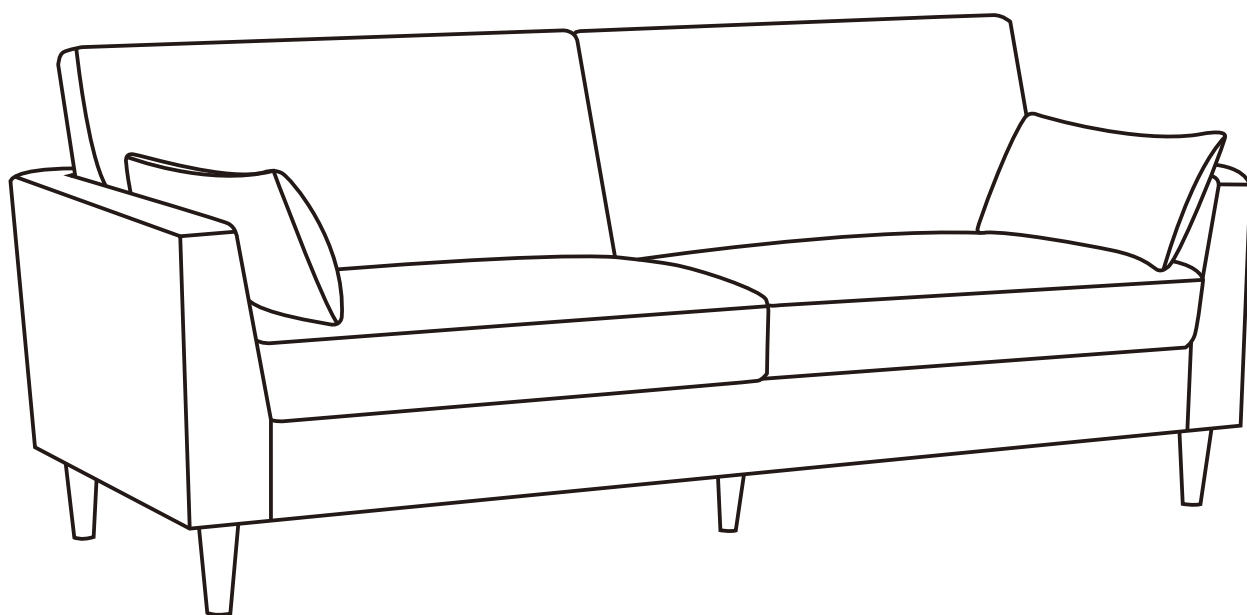

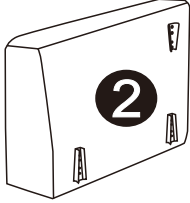
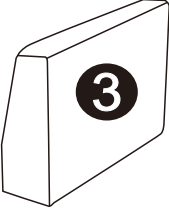
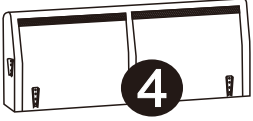





VANOMi

YXC-89005

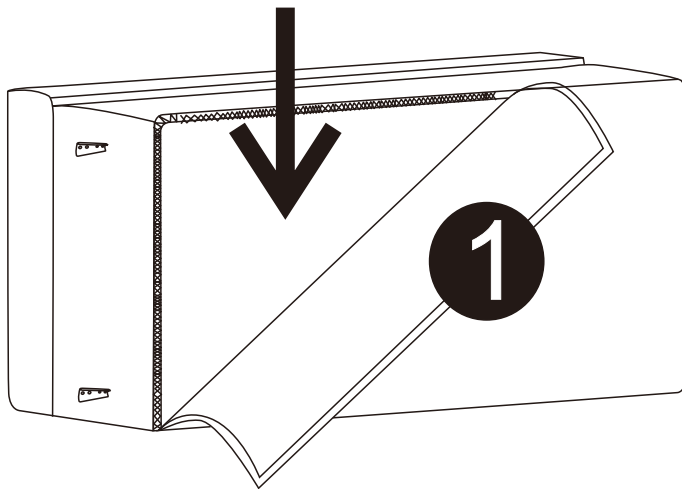


Part List

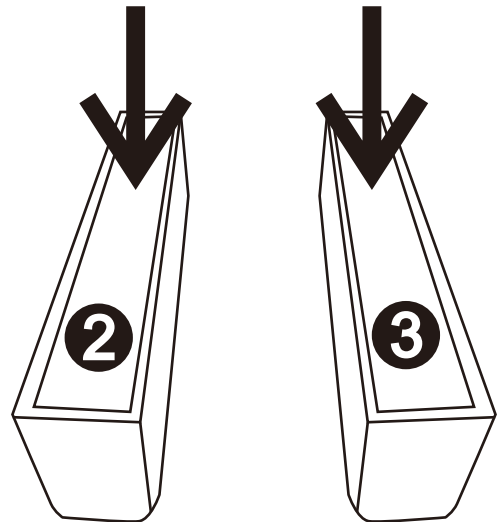
 Sofa Body*1	 Left Arm*1	 Right Arm*1	
 Backrest*1	 Leg*5	 Cushion*2	 Pillow*2

Assembly Steps 1

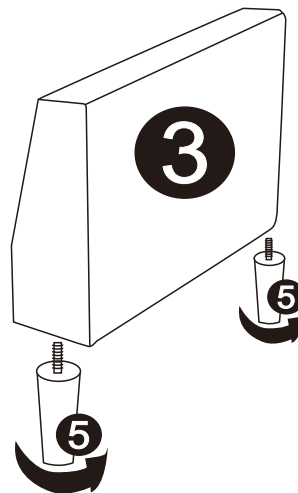
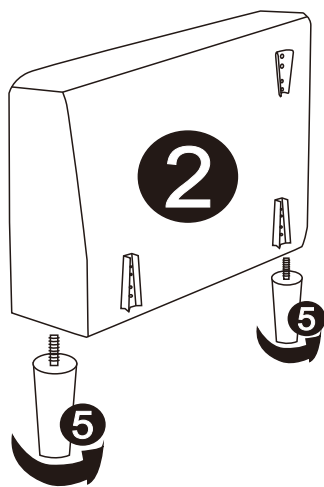
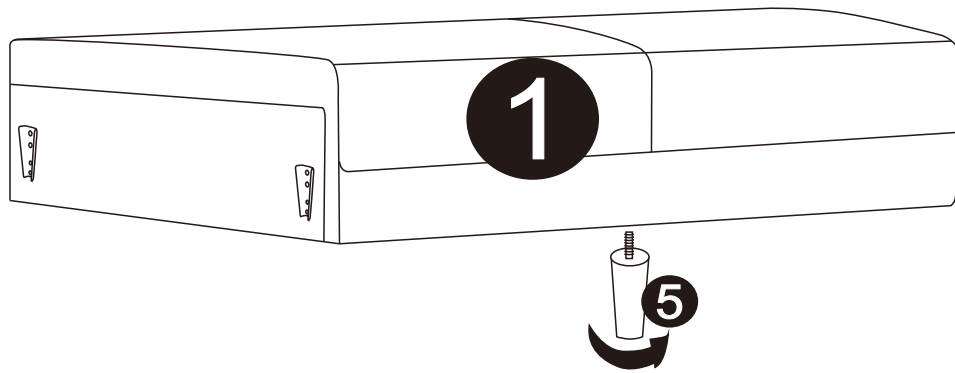
Please open the black fabric and take out (2, 3, 4, 5, 6) & hardware from the hidden location of the seat before assembly.



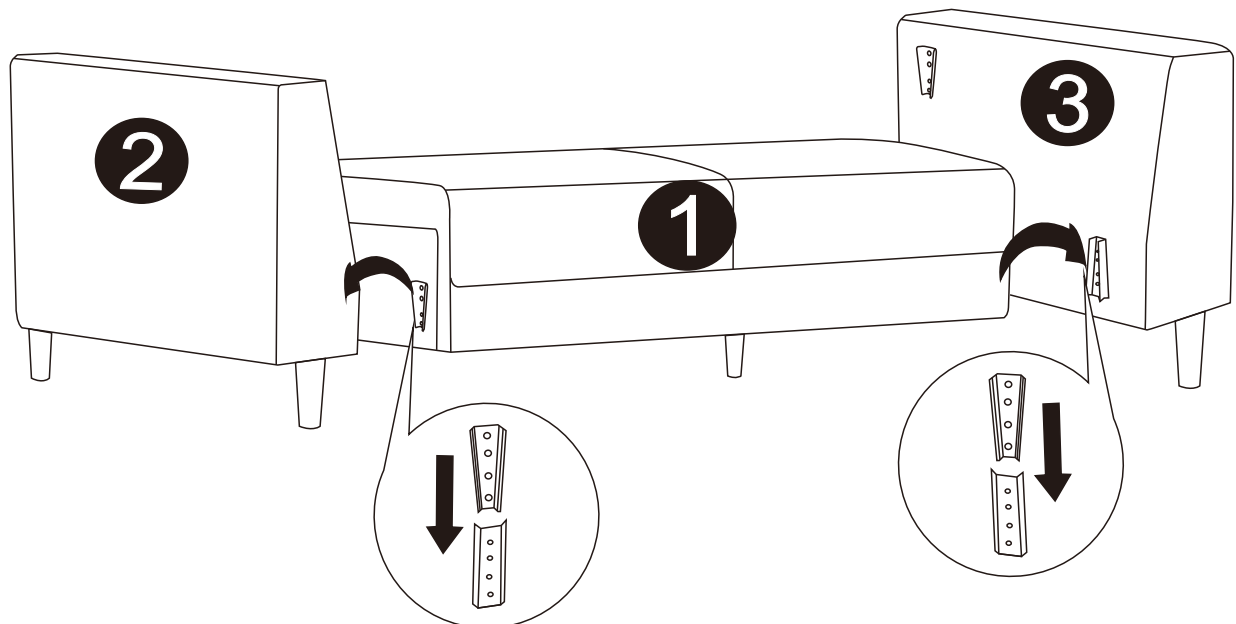
Please open the black fabric and take out (7) & Pillow from inside the armrests before assembly.



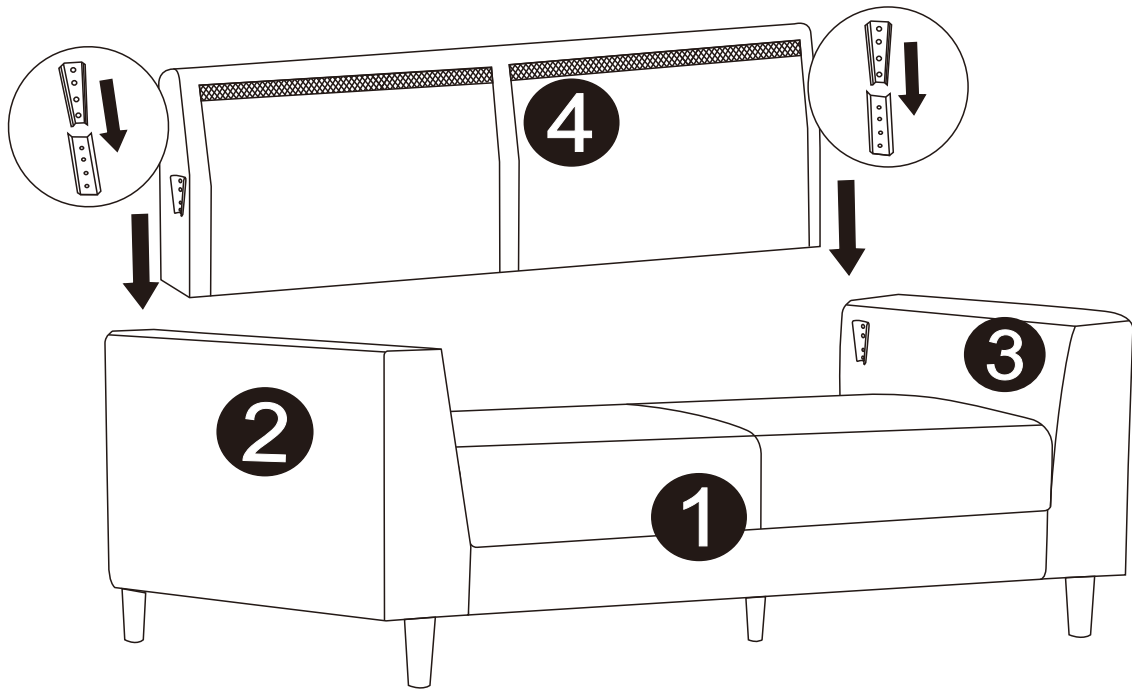
Assembly Steps 2



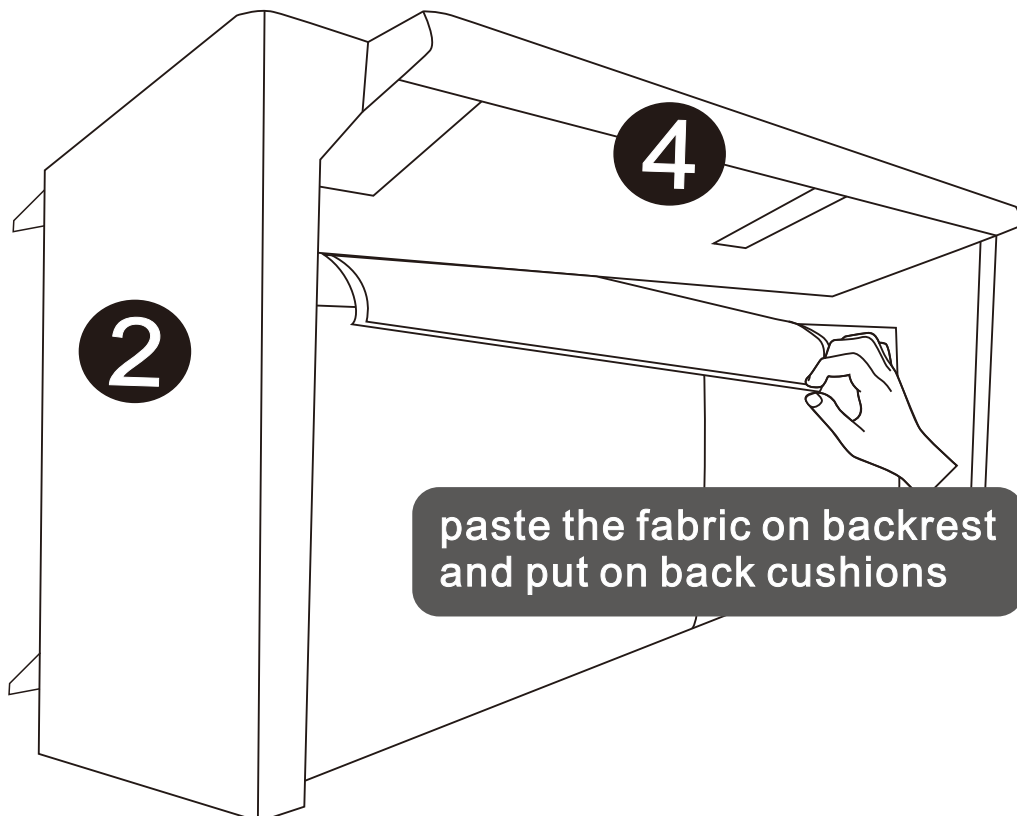
Assembly Steps 3

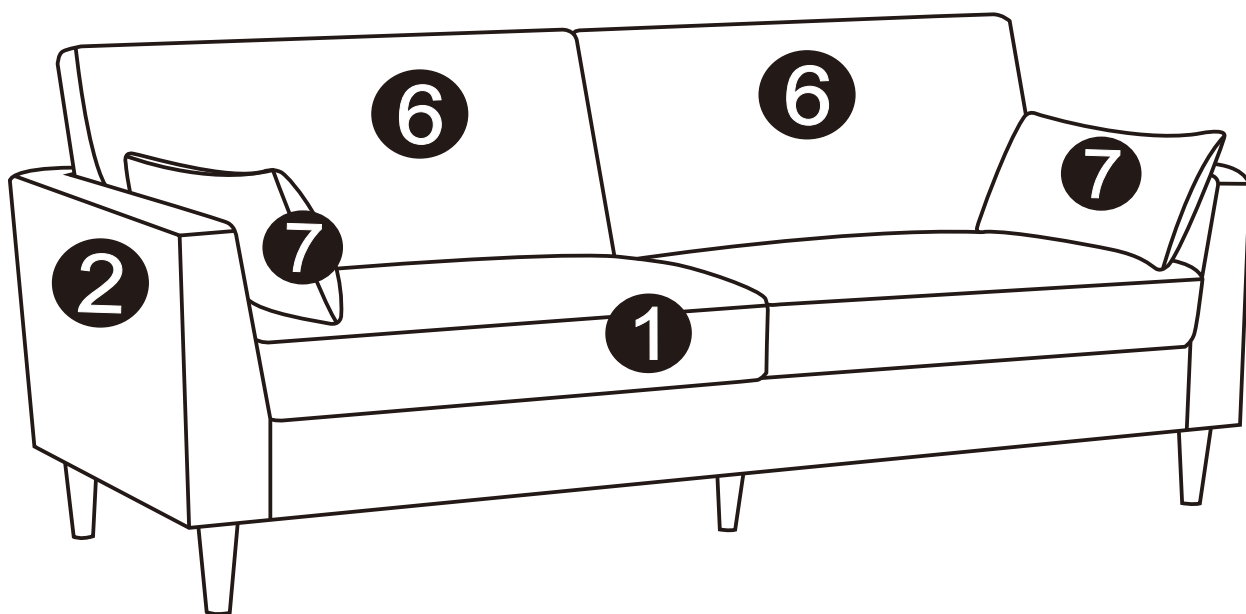


Assembly Steps 4



Assembly Steps 5





Completed

CARE & MAINTENANCE



Do not put hot items directly on furniture surface.



Do not clean furniture with harsh cleansers or polish.



Dust and pick up spills using a clean, non-colored, lint-free cloth.



Stains may be removed with mild soap solution and a damp cloth.



Do not place furniture under direct sunlight.



Do not place furniture near heating or cooling vents.



Do not write on furniture without a passed barrier to protect the surface.



Do not place furniture outside, for indoor use only.



PROHIBIT jumping on it.

We genuinely appreciate your purchase of our product. Any problem (installation or damage caused by shipping), please feel free to contact us. Our customers service help to solve the problem for your ASAP, as your satisfactions is our final goal.

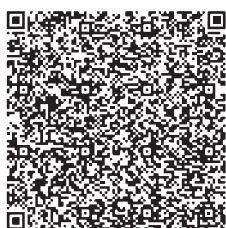
Email: vanomi.home@gmail.com

<https://www.myvanomi.com>

FOLLOW US



VANOMi Shop



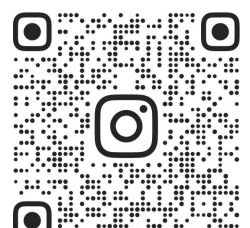
VANOMi TikTok



VANOMi Pinerest



VANOMi Youtube



VANOMi Instagram