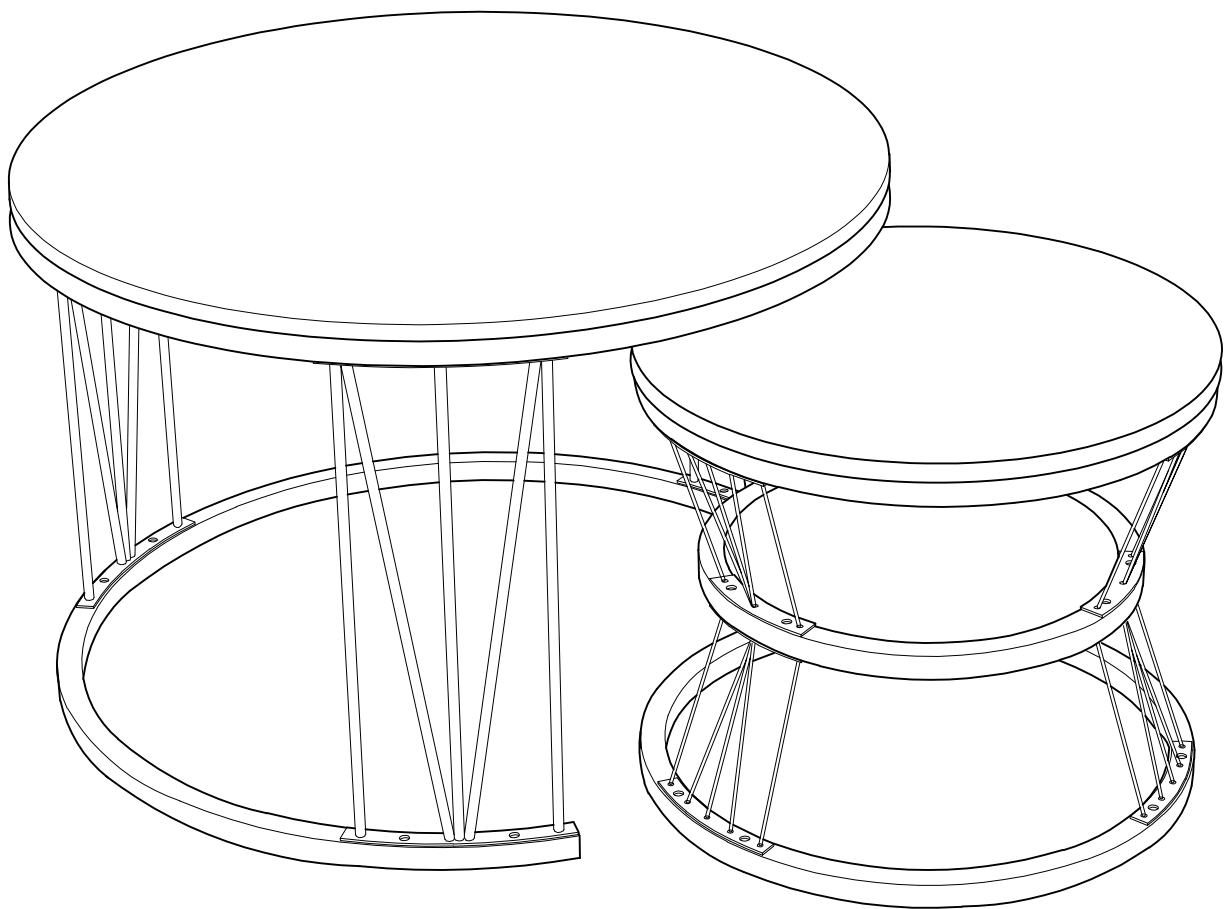
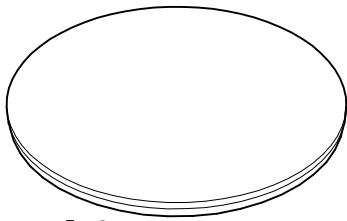


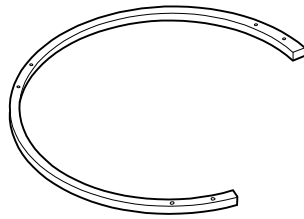
ASSEMBLY INSTRUCTIONS



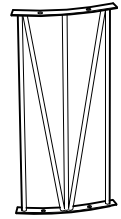
parts list



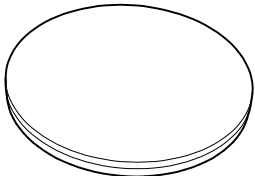
A1:Panel (large)
1pcs



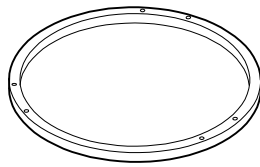
A2:Bottom frame (large)
1pcs



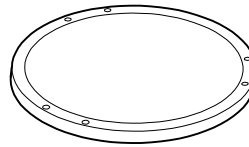
A3:Connecting piece (large) 3pcs



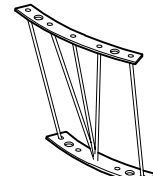
B1:Panel (small)
1pcs



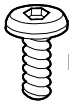
B2:Bottom frame (small)
1pcs



B3:Middle frame (small)
1pcs

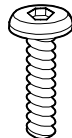


B4:Connecting piece (small) 6pcs



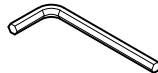
M6*12

C1:Screw
26pcs



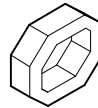
M6*35

C2:Male screw
6pcs



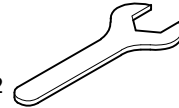
M6

D:Allen wrench
1pcs



M6*12

E:Nuts
6pcs

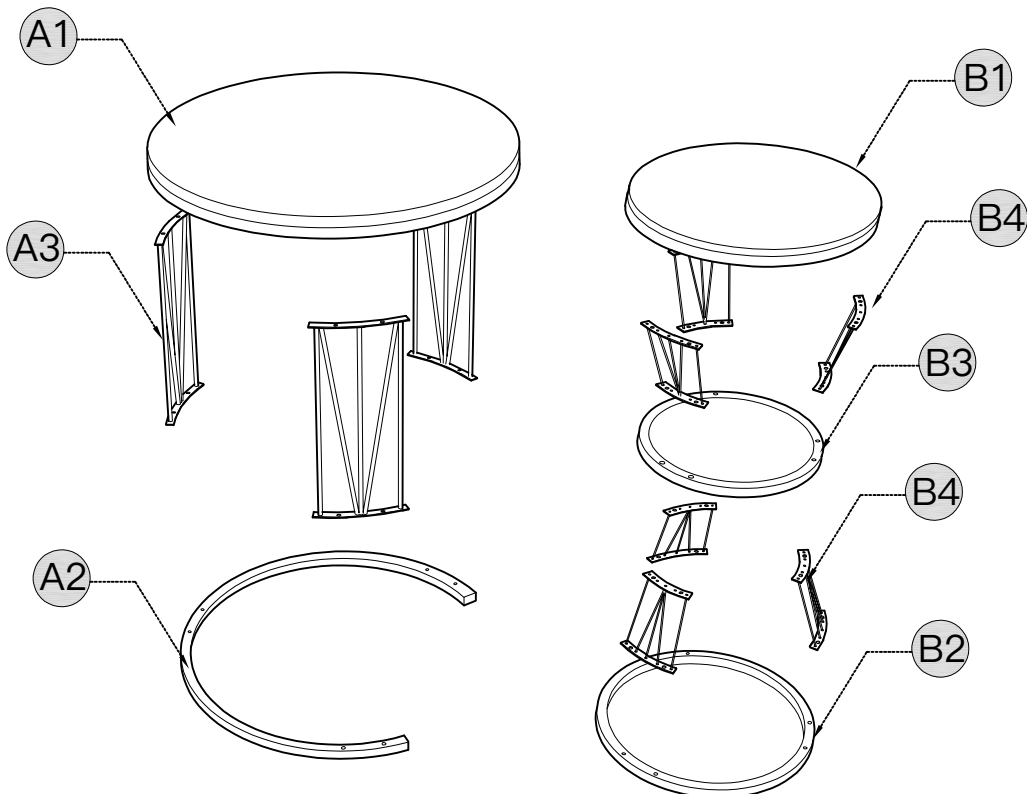


F:Spanner
1pcs



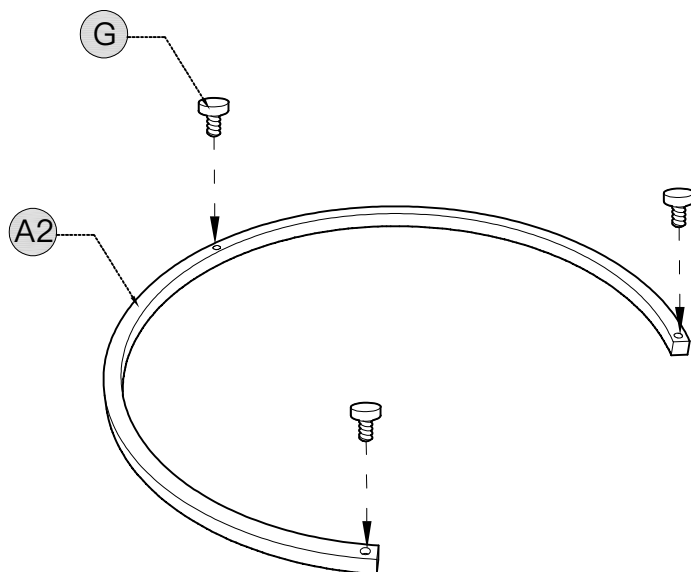
G:Foot pads
6pcs



Explosion map



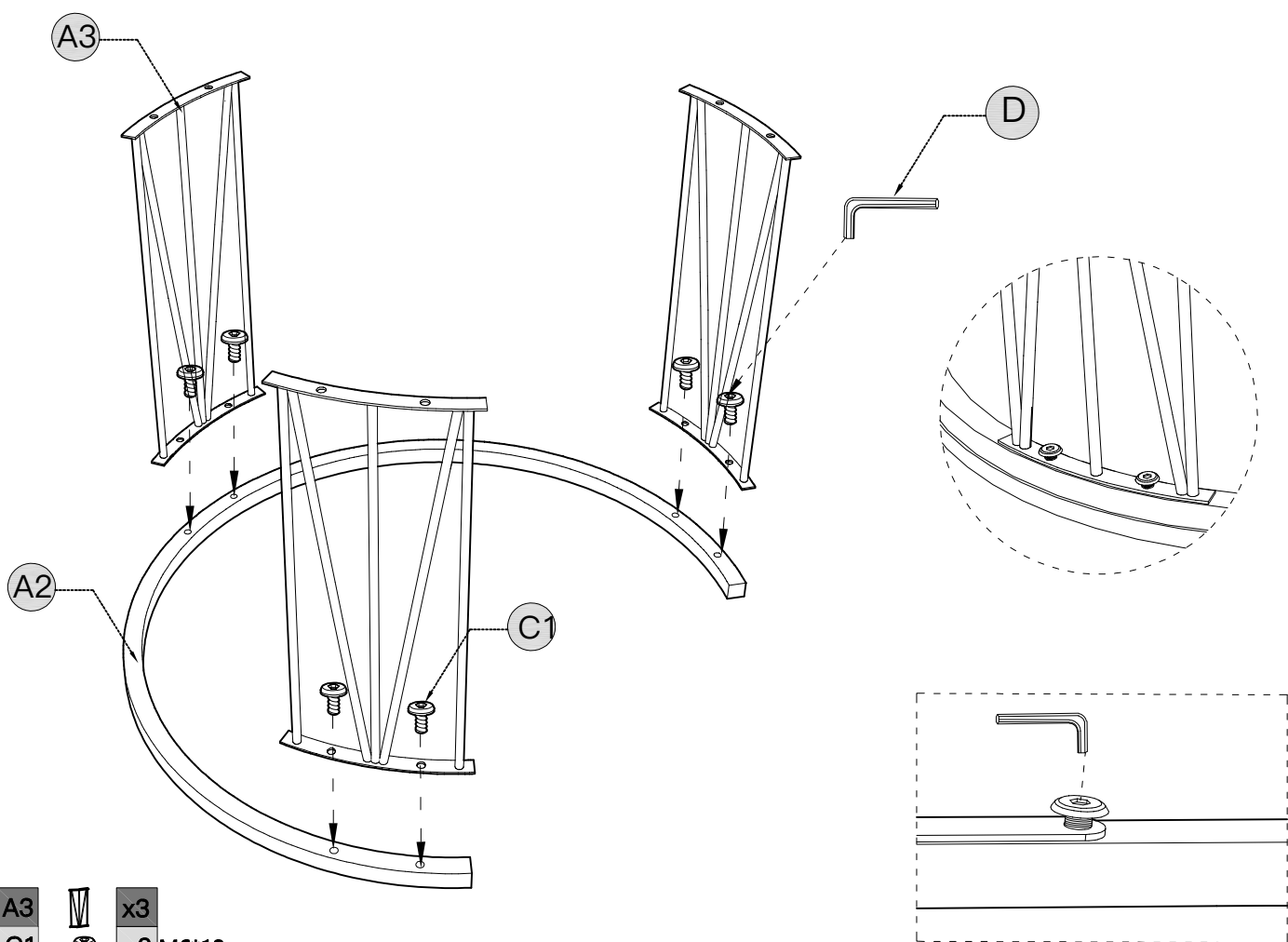
Installation method




Step 1



A2		x1
G		x3

Step 2

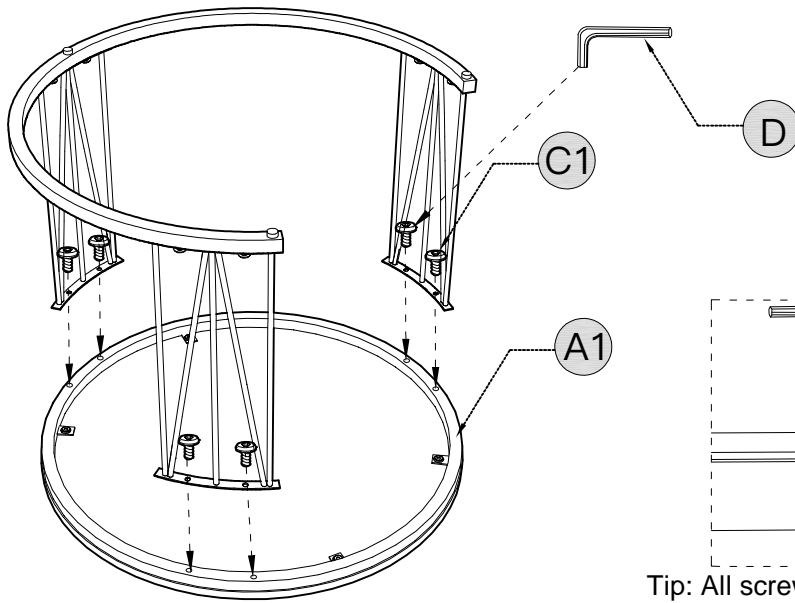


A3		x3
C1		x6 M6*12
D		x1

Tip: Before all the screws are fixed, the screws can only be tightened to one-half.

Installation method

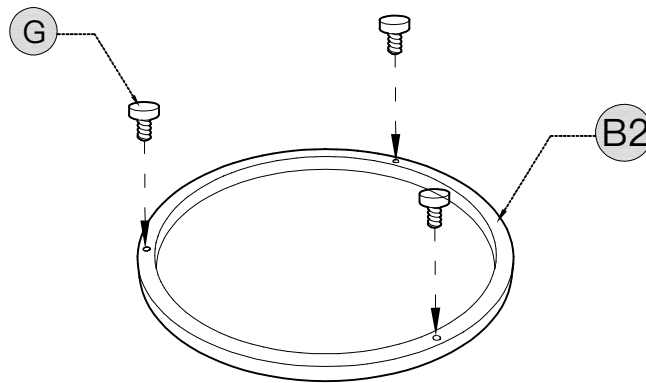
Step 3



A1		x1
C1		x6 M6*12
D		x1

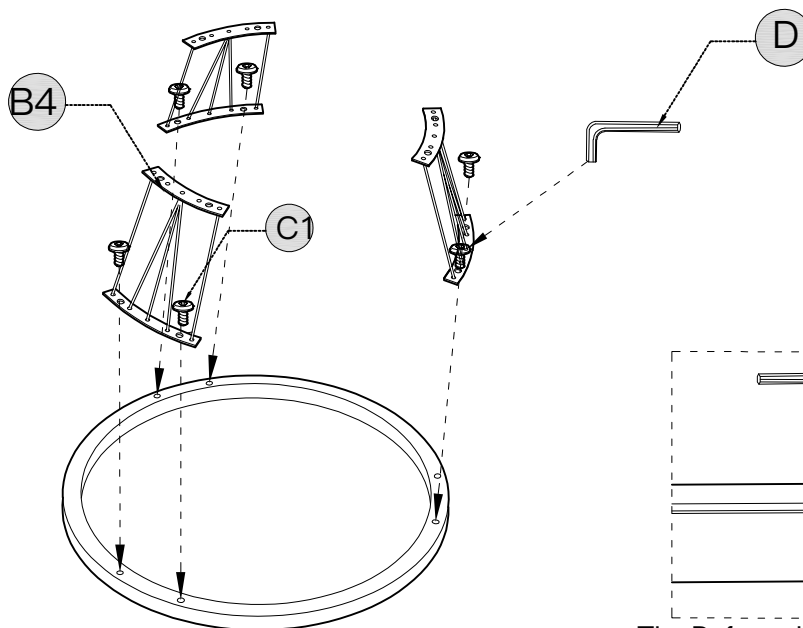
Tip: All screws screwed to half are now fixed and tightened.

Step 4



B2		x1
G		x3

Step 5

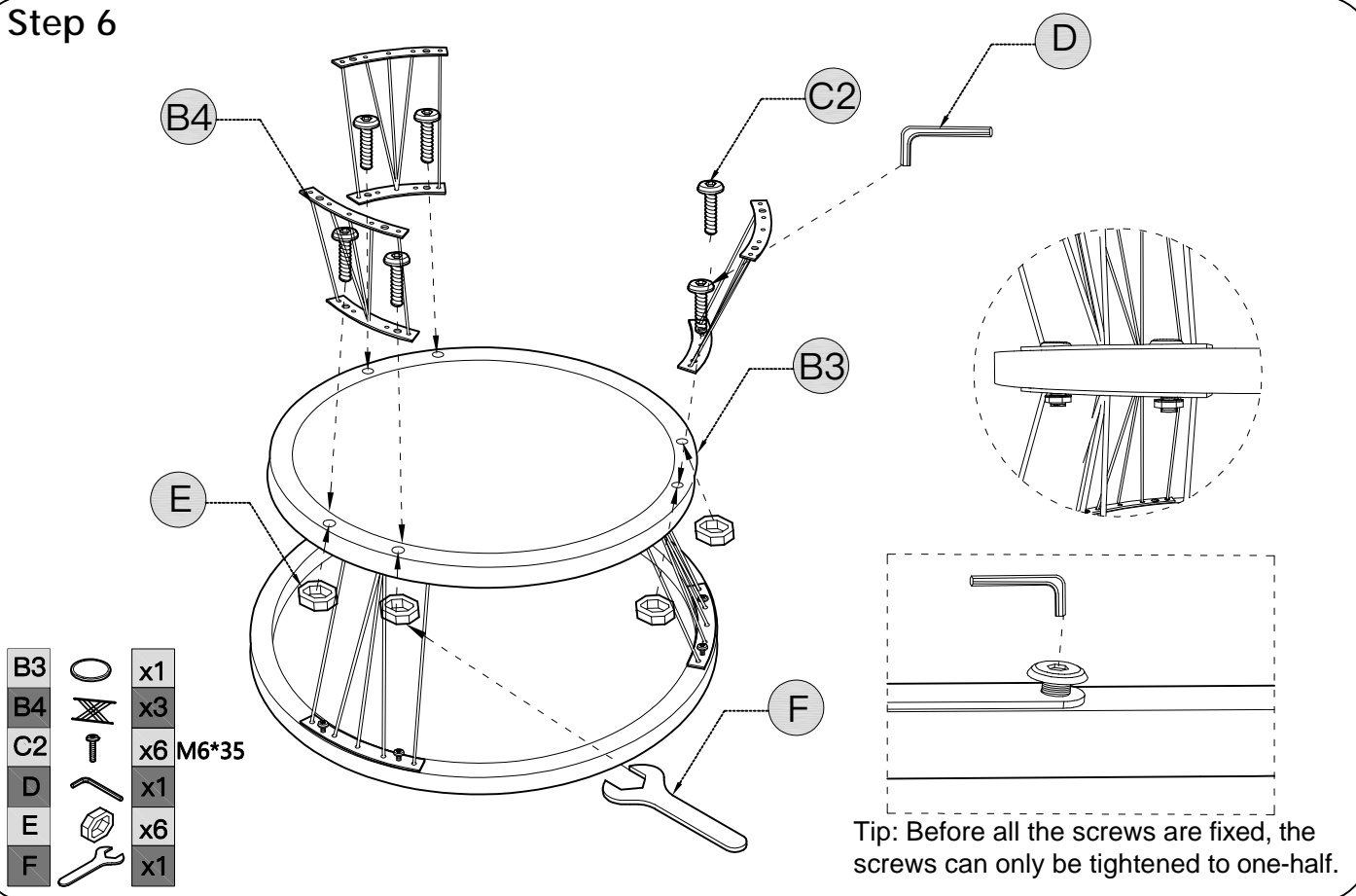


B4		x3
C1		x6 M6*12
D		x1

Tip: Before all the screws are fixed, the screws can only be tightened to one-half.

Installation method

Step 6



Step 7

