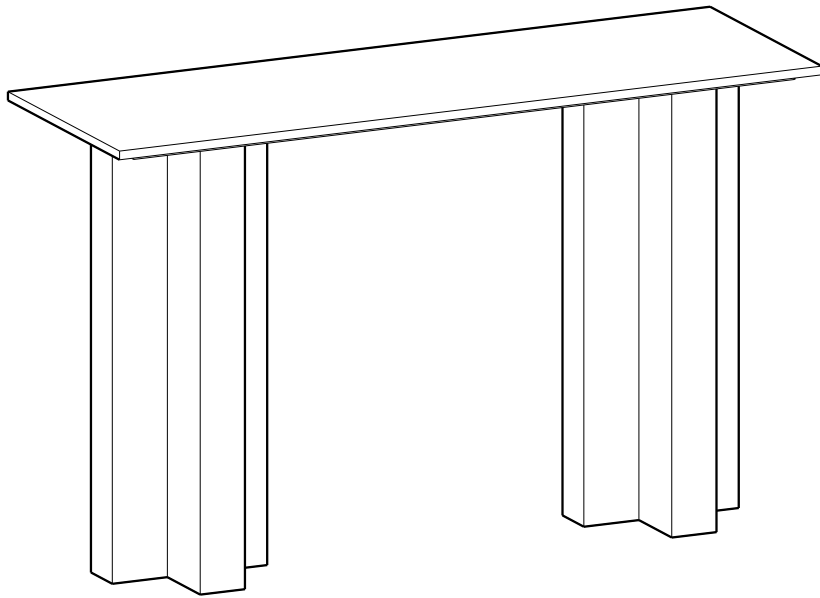

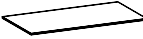






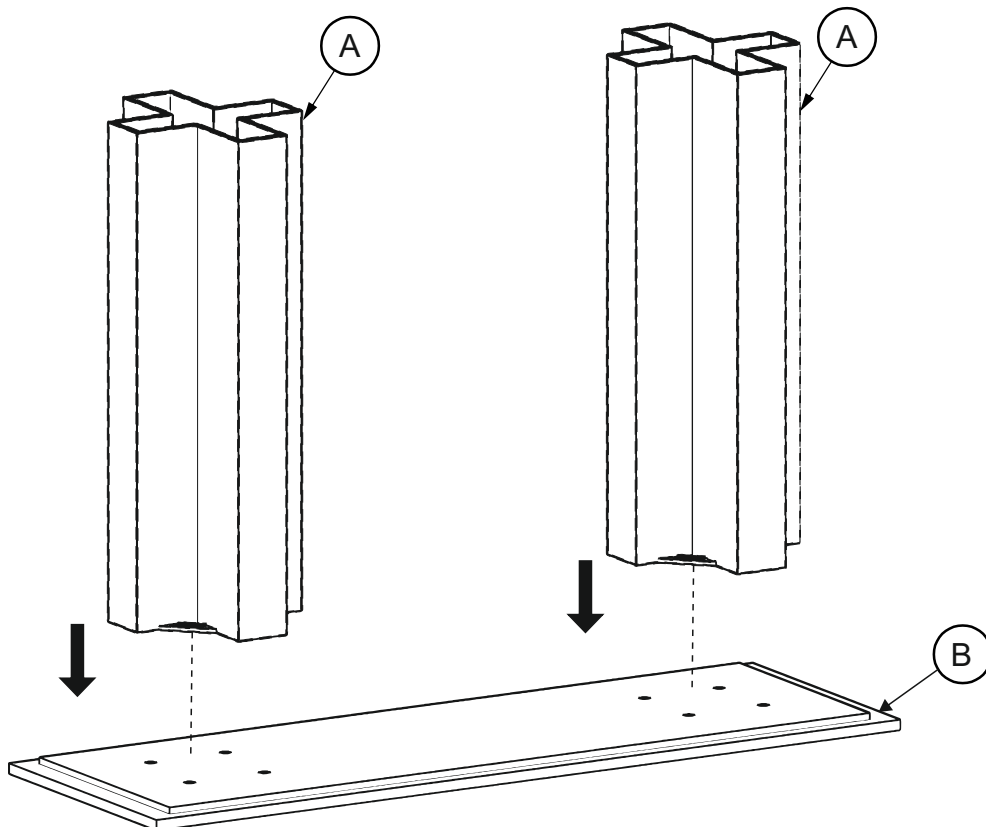
ASSEMBLY INSTRUCTION FOR

CONSOLE TABLE

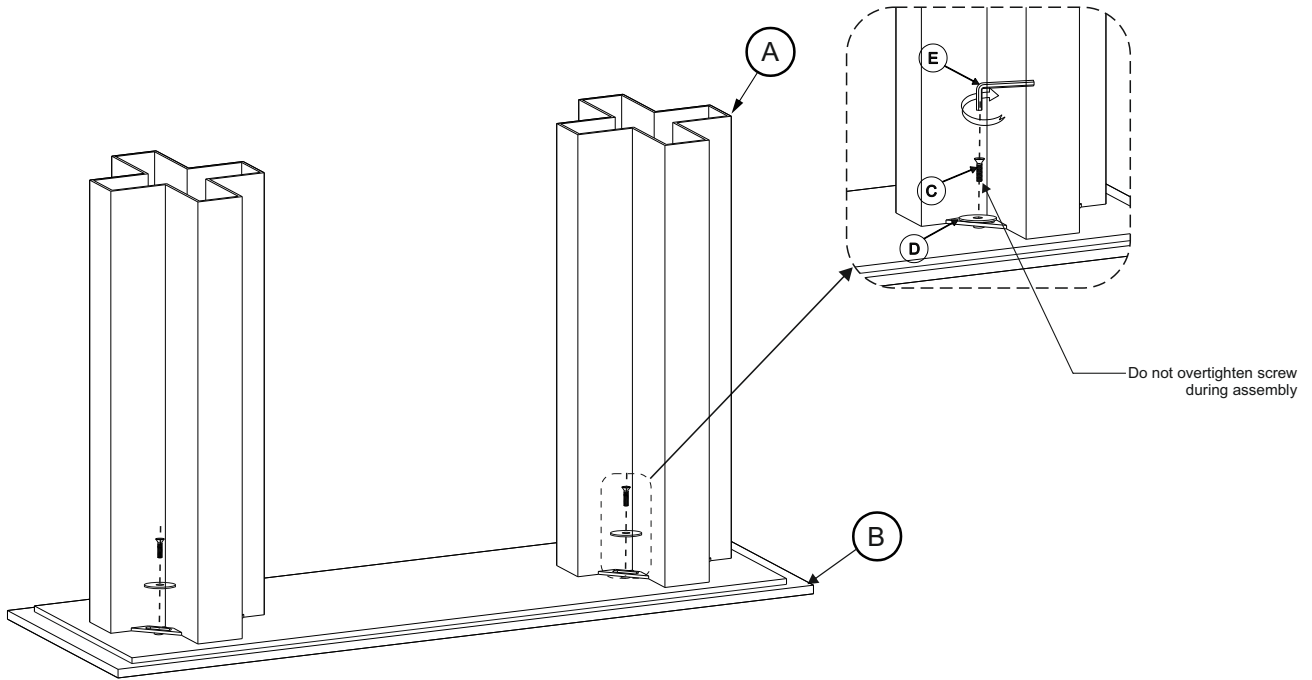


HARDWARE LIST

A		BASE	330 x304 762 mm.	2
B		TOP	1295 x 431 15 mm.	1
C		SCREW	Ø6x20mm.	8
D		WASHER	Ø45x2mm	10
E		HEX KEY	65x25mm.	2
F		LEVELER	Ø21x37mm.	8



Step 2



Step 3

