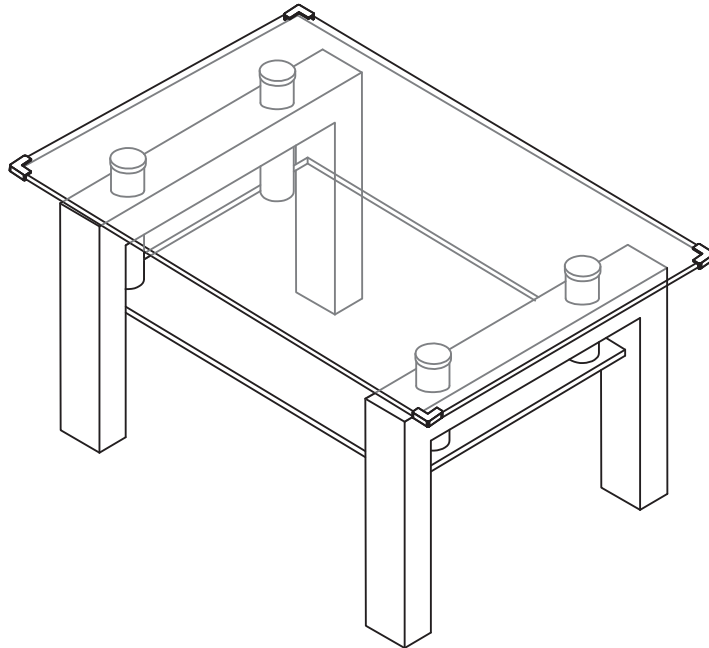


# Assembly Instructions

Caution:Pls read the AI before you proceed.











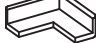
## COFFEE TABLE



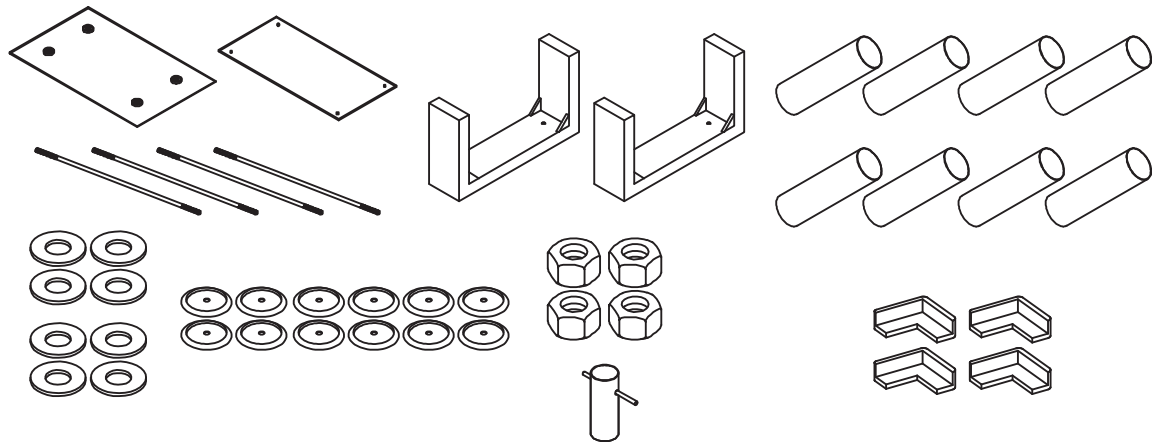
### CAUTION:






Pls follow up the AI , when assemble the table leave your child away

### Parts List

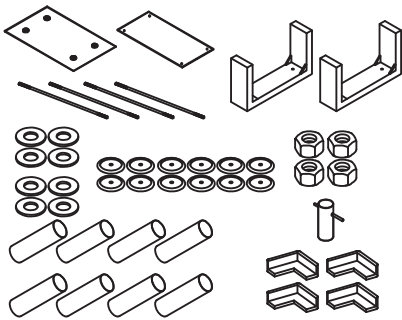
NO.	Picture	Description	Qty
A		Tempered glass table top	1
B		Tempered glass	1
C	 8X250mm	Pulling rod	4
D		Leg	2
E	 $\Phi 50 \times 95 \text{mm}$	Metal leg	8
F	 M8X22mm	Gasket	4
G	 M8X22mm	Plastic gasket	4
H	 $\Phi 50$	Plastic gasket	12
I	 M8	Nut	4
J	 M8	Box Spanner M8	1
K		Plastic protection corner	4

# Assembly Preparation Before Beginning Assembly



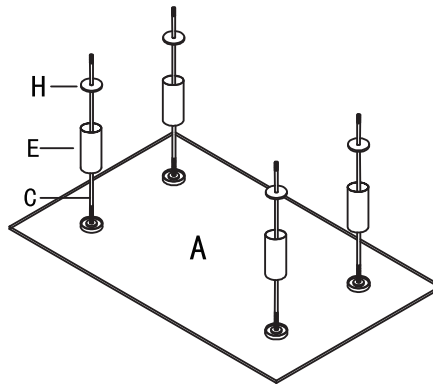
-  • Read instructions, cover to cover-
-  • Have 2 adults on hand for assembly-
-  • Do not assemble on flooring or carpet-
-  • Assemble on a clean non- marring surface (packing foam)-
-  • Save all packaging until finished-

Step 1

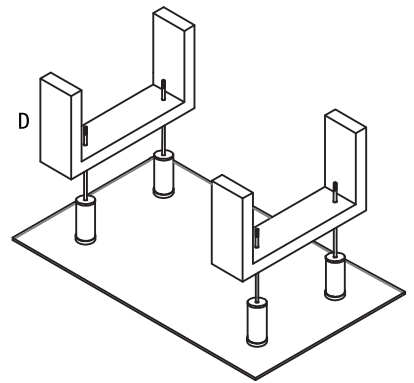


Unpack and place all parts on a clean , soft surface

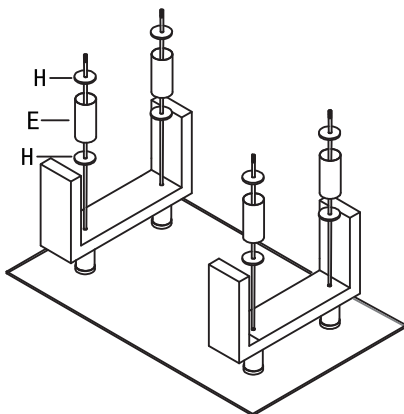
Step 2



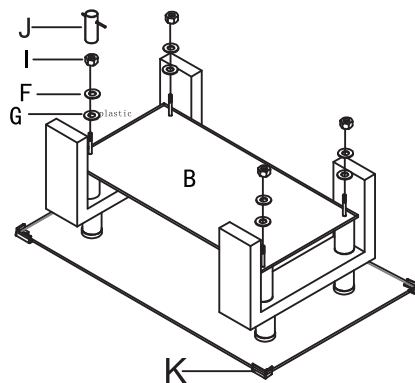
Step 3



Step 4



Step 5



Step 6

