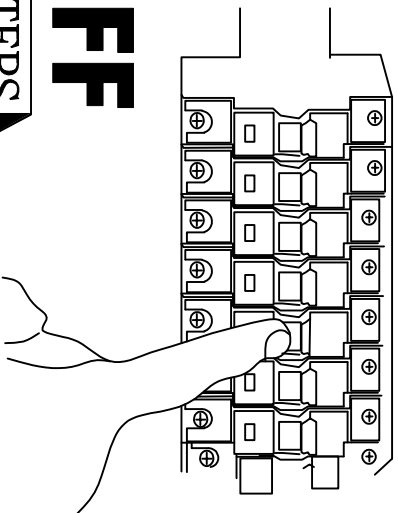


Installation sequence

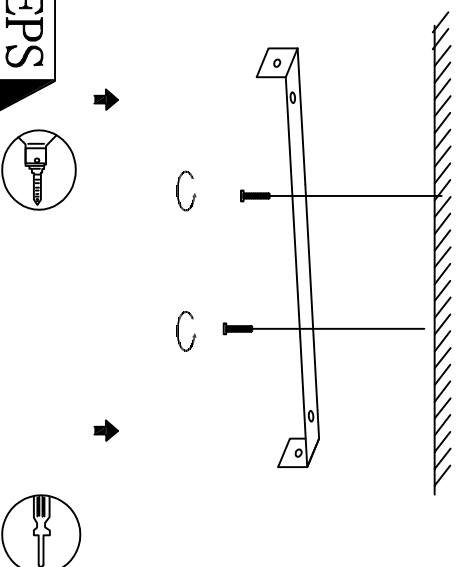
1



STEPS

Turn off the power

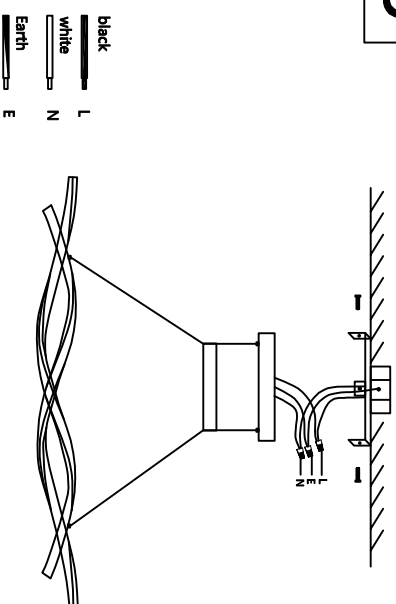
2



STEPS

Lift the ceiling plate of the whole lamp to the hole of the hanging plate, and fix it with screws

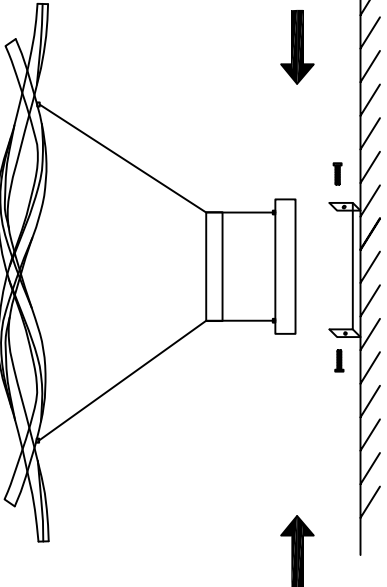
3



STEPS

1. Connect the power cord of the lamp body to the reserved Power cord, pay attention to the positive and negative poles
2. Turn on the power and check if the light doesn't work. if the light doesn't work, please contact customer service.

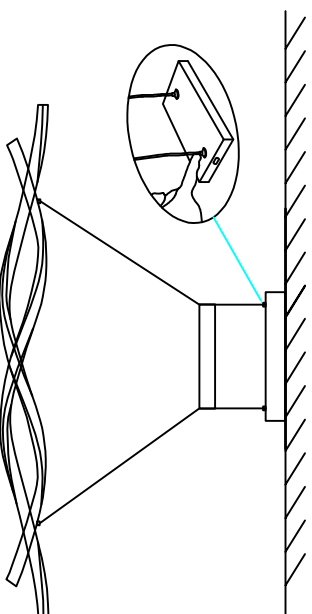
4



STEPS

Fix the lamp body on the ceiling plate with screws

5



STEPS

The length of the wire can be adjusted

Advertencia:

1. Voltage: 110-135V ~ 50 / 60Hz
 2. For indoor use only
 3. Please professionally install to prevent the risk of electric shock
 4. Before installation, check whether Complete accessories, if not enough, Please contact customer service in time
 5. Please cut off the power before installation
 6. Supply to prevent leakage
- Be sure to follow the installation instructions to install