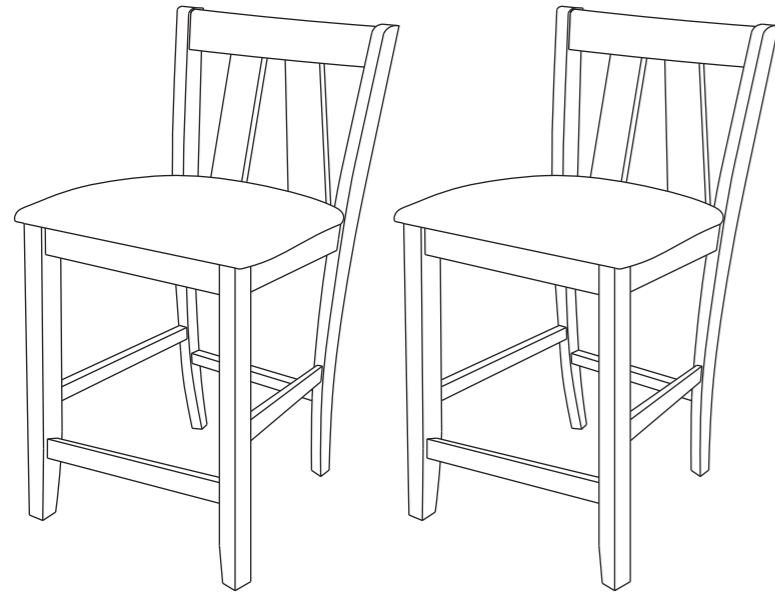




SKU: KHD-AE-C28

BRN & GRY & DBN

Lot No.: SK-NO.1



Chair

Assembly Guide

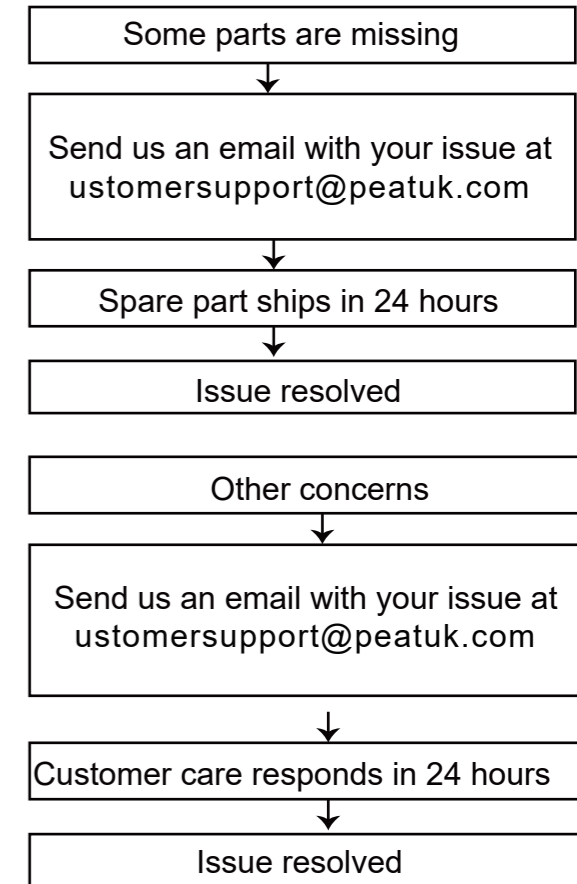
Tip!

Do check for all the components and screws listed in this guide before putting things together. If any part is missing, contact us at ustomersupport@peatuk.com for the missing part.

Return Policy

Your satisfaction is our top priority. If our product fails to satisfy you, please let us know how we can make things right for you. Our trained customer care team can handle most concerns and assist you with any questions you may have. Simply shoot them a message at ustomersupport@peatuk.com with your order number and question. To be eligible for a full-refund return, the item must be in pristine condition, in the original packaging, with all of the shipped components intact and not yet assembled, and with the item's unique proof of purchase.

Trouble shooting:

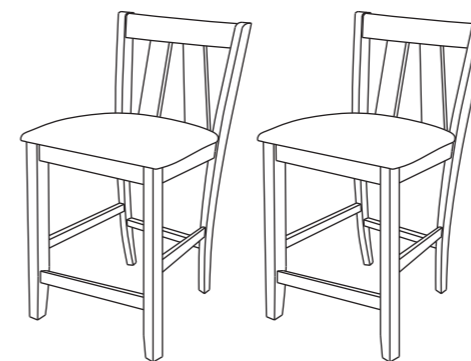


We run our own manufacturer, so rest assured about the quality consistency.

How to find us?

Email: ustomersupport@peatuk.com

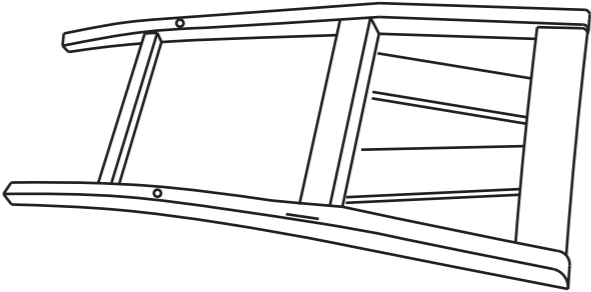
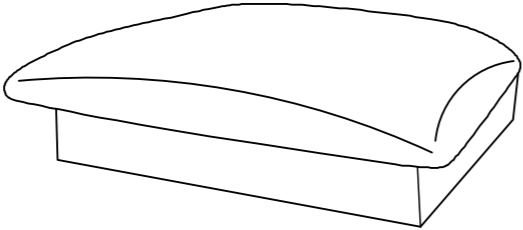



Website: www.peatuk.com



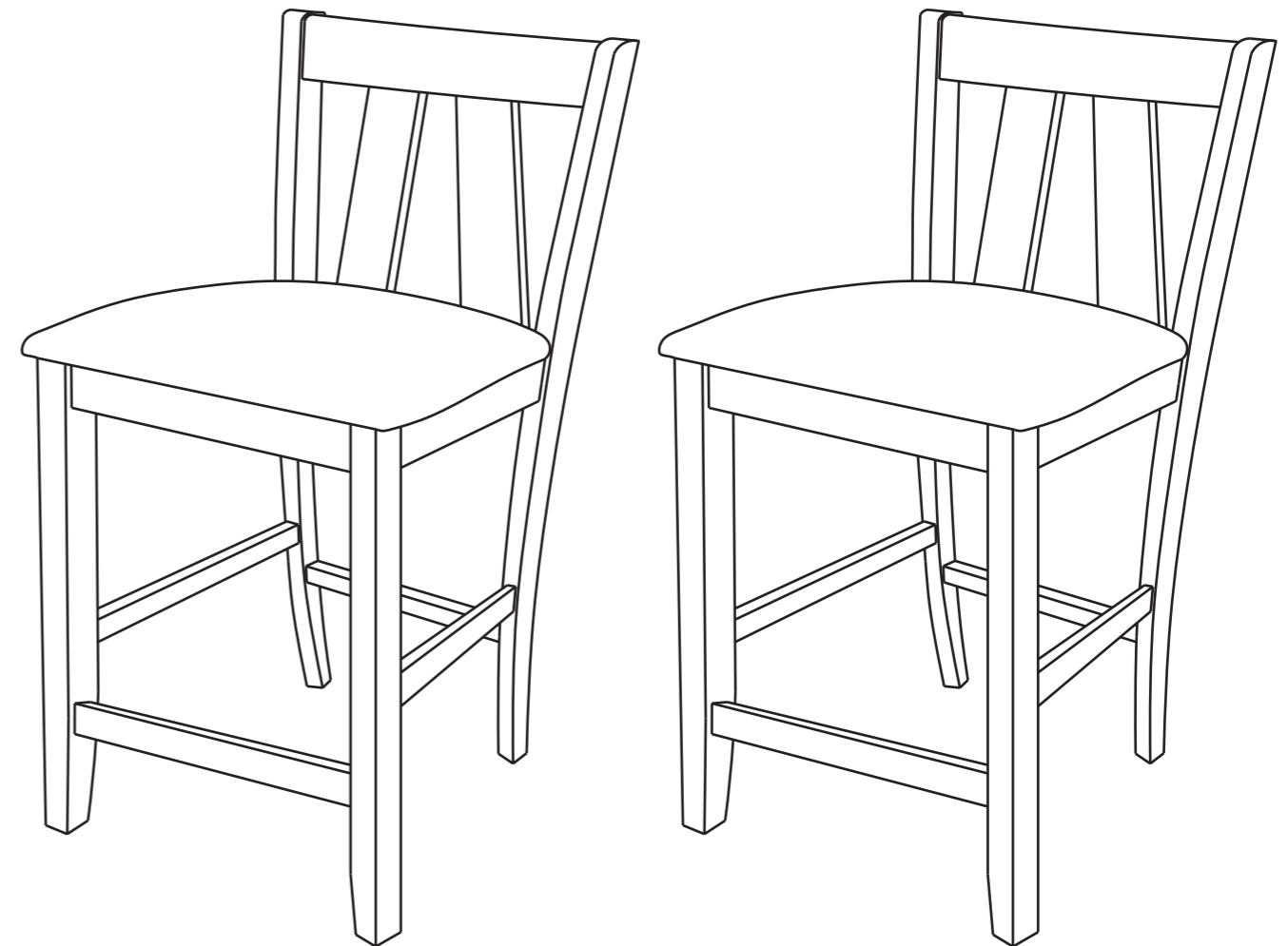
Item Description: Chair

Model NO: SK-NO.1

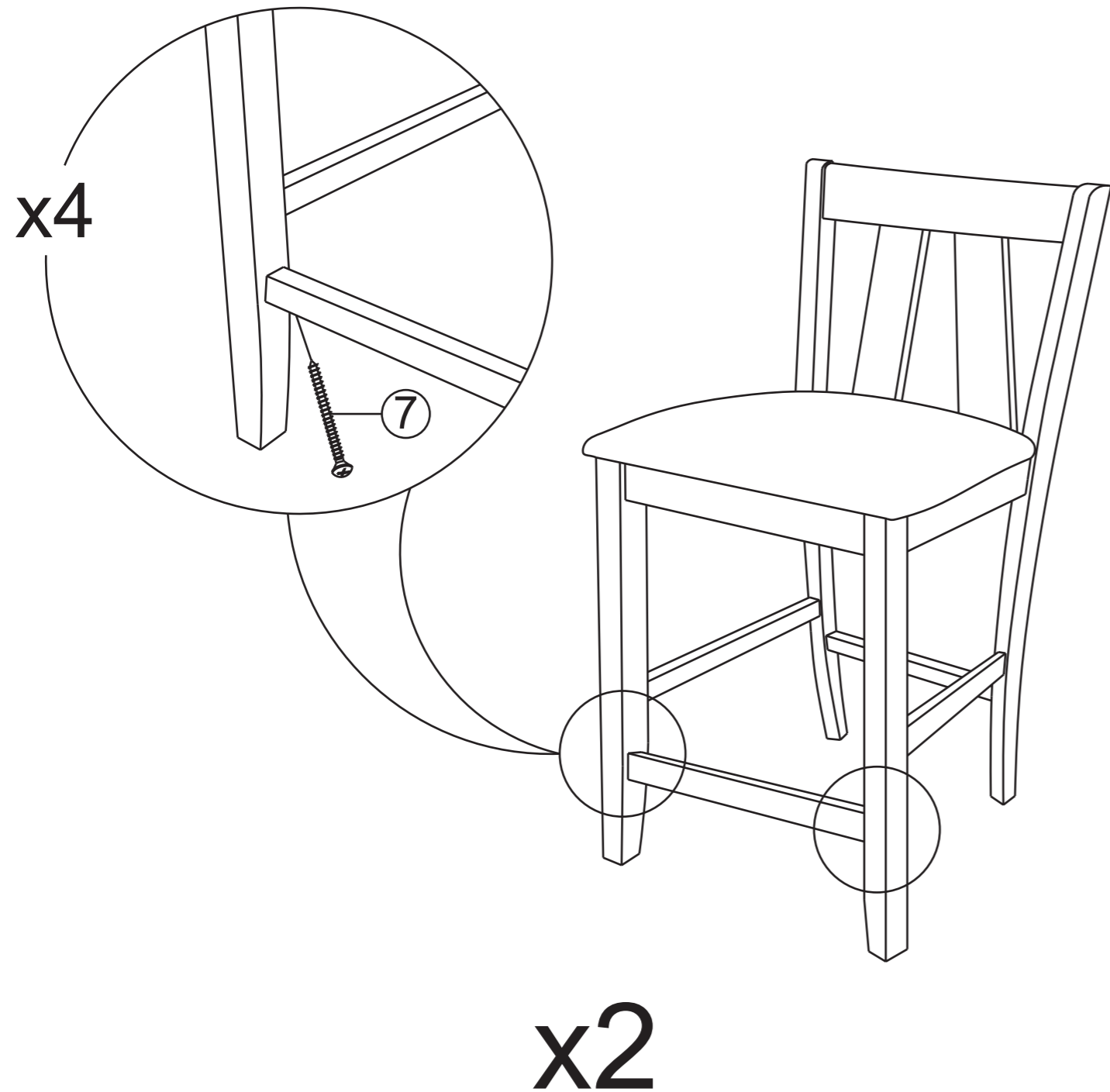
PART LIST

ITEM	DESCRIPTION	QTY
A	CHAIR BACK 	2 PCS
B	BOX SEAT 	2 PCS
C	FRONT LEG (L & R) 	4 PCS
D	SIDE BAR (L & R) 	4 PCS
E	FRONT BAR 	2 PCS

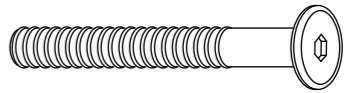
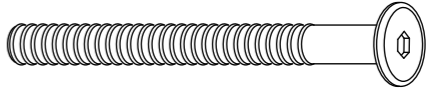
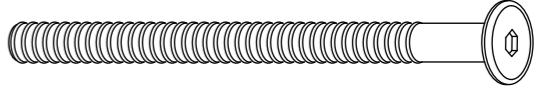
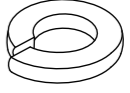
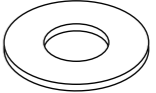

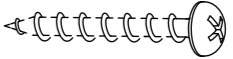
Step 8



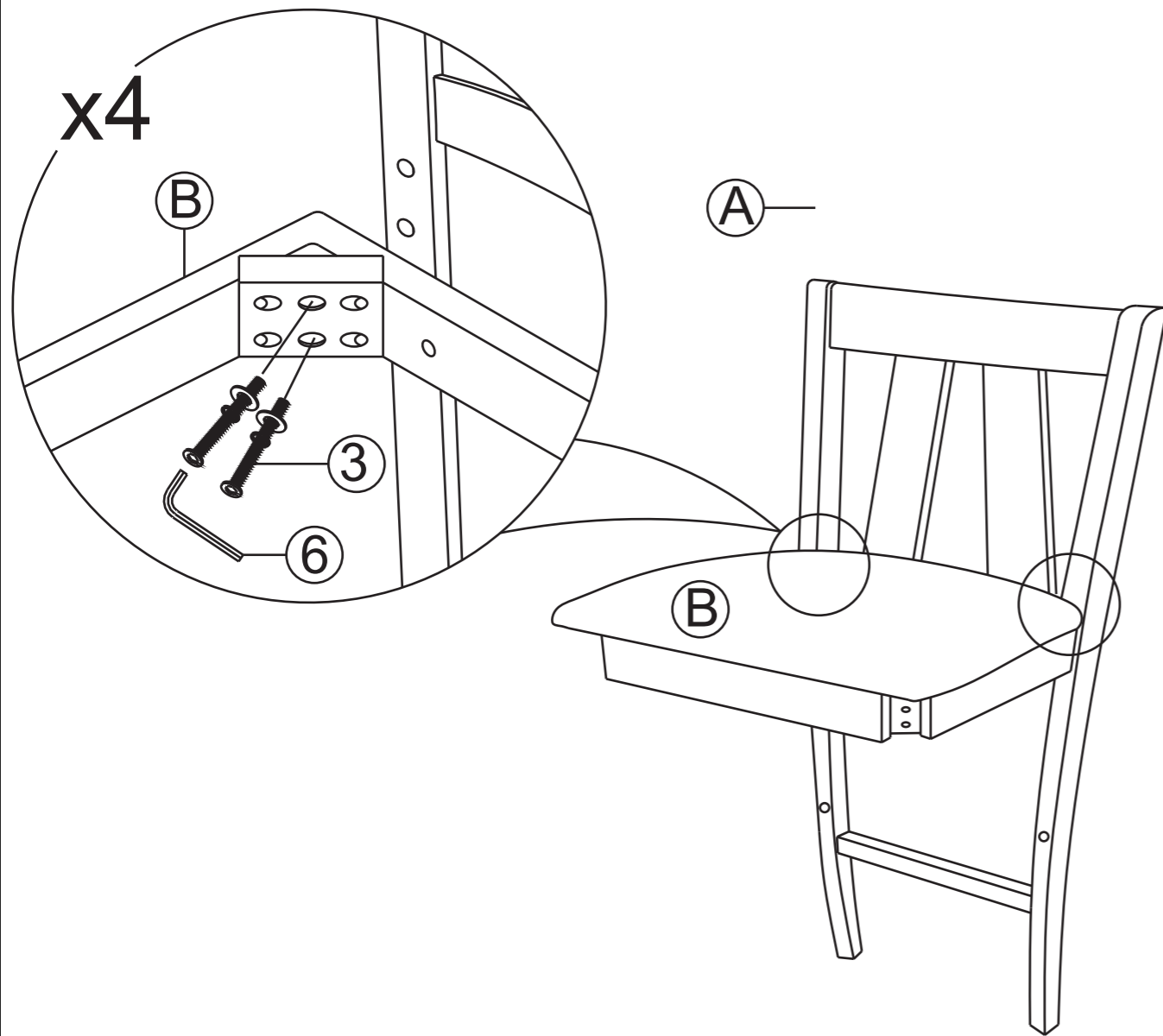
Step 7



Screws & Tools

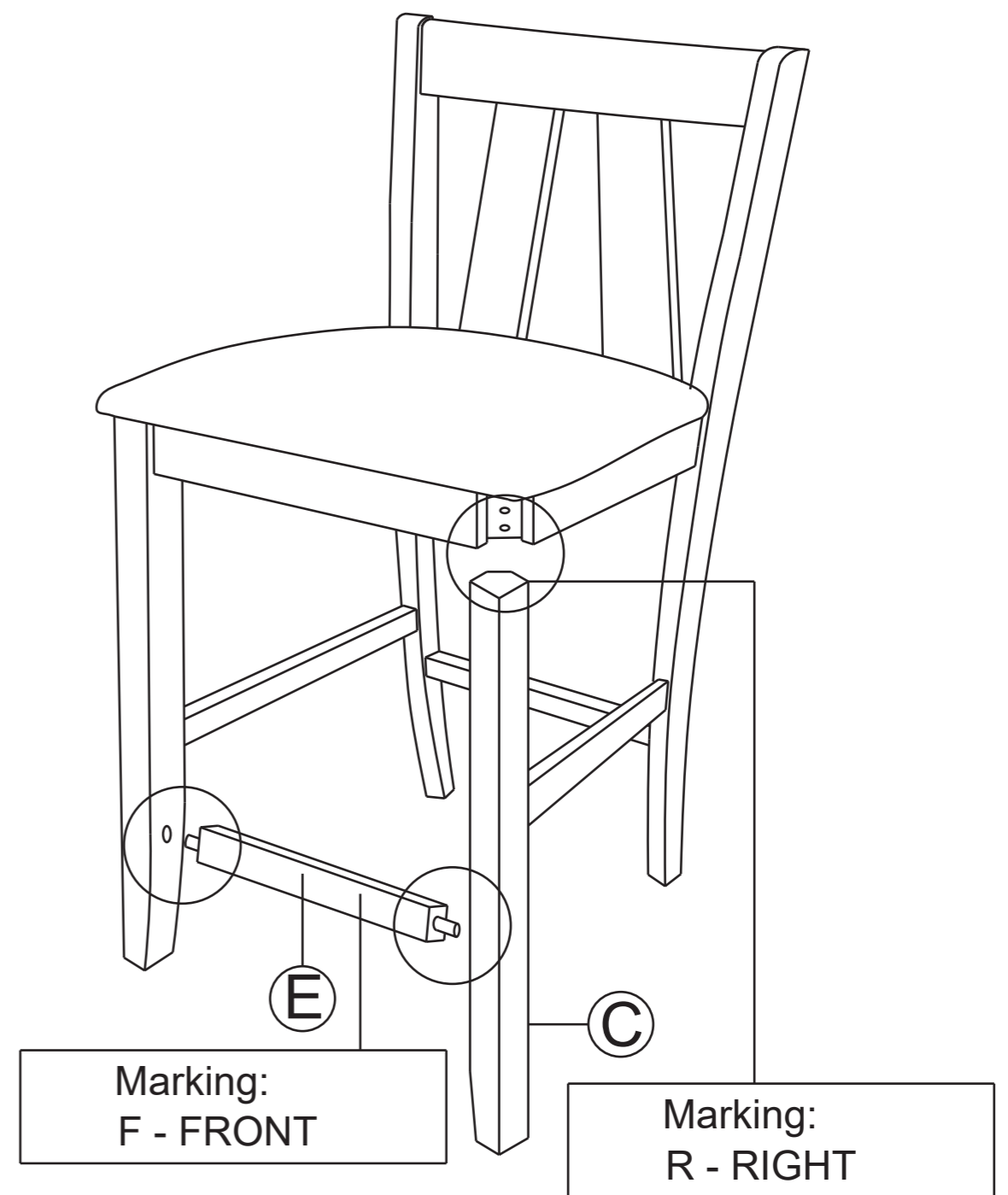
1	JCBC SCREW M6 x 35MM (R/B)		4pcs
2	JCBC SCREW M6 x 60MM (R/B)		8pcs
3	JCBC SCREW M6 x 80MM (R/B)		8pcs
4	SPRING WASHER 1/4" (R/B)		20pcs
5	FLAT WASHER 1/4" (R/B)		20pcs
6	M4 ALLEN KEY (BALL SHAPE) LONG		1pc
7	PAN HEAD RATTAN SCREW #8 x 32MM (BLK)		12pcs

Step 1



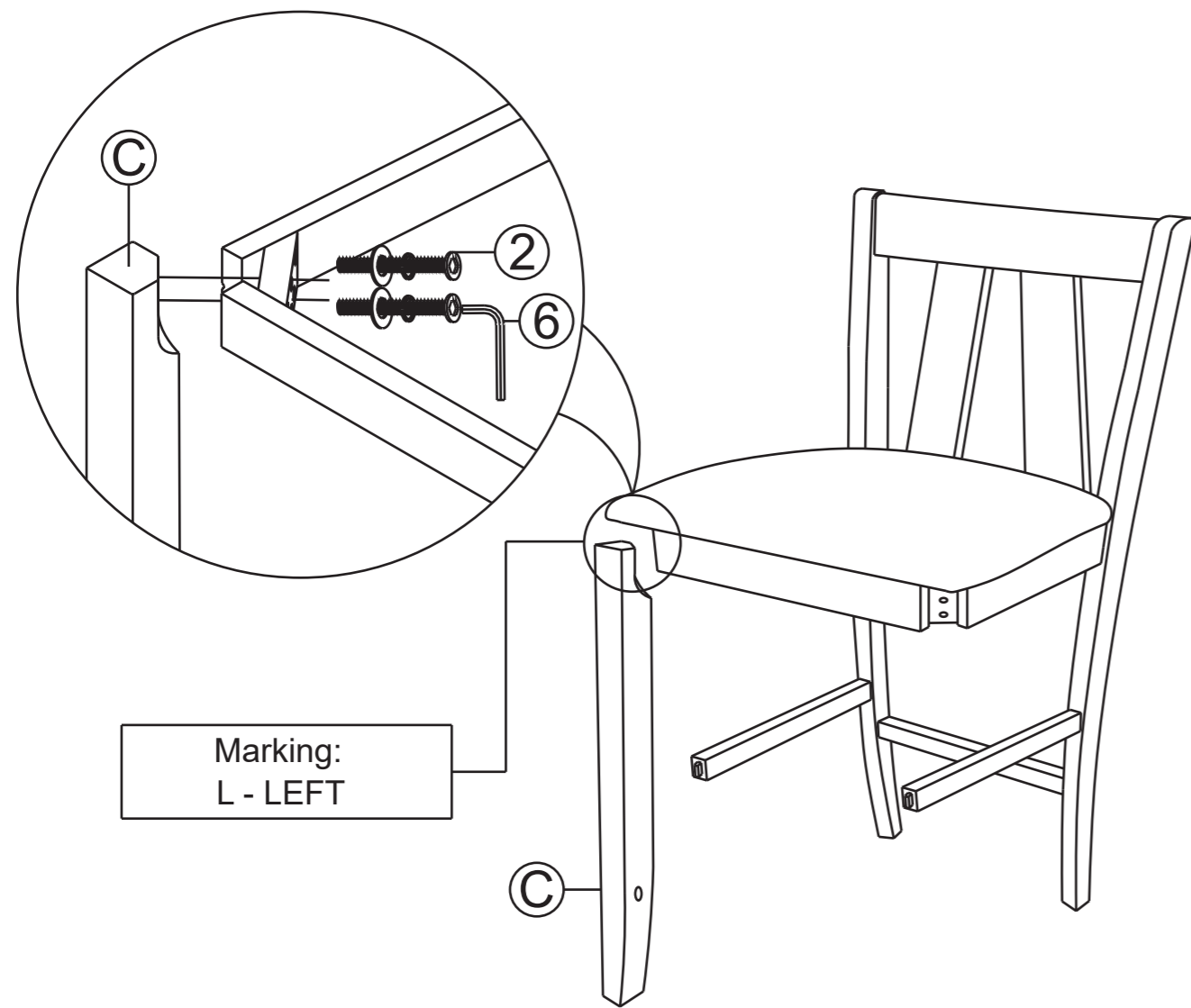
x2

Step 6



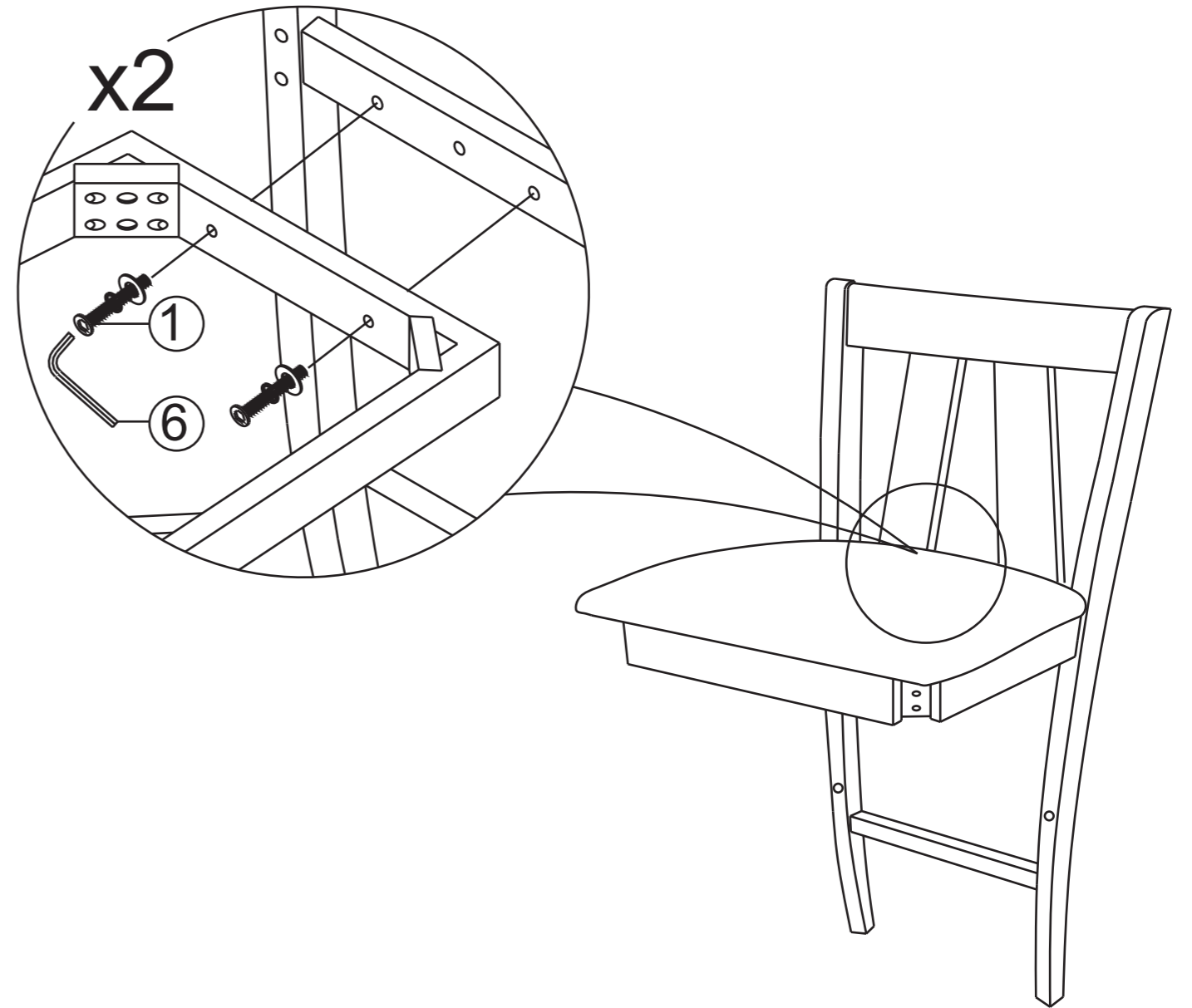
x2

Step 5



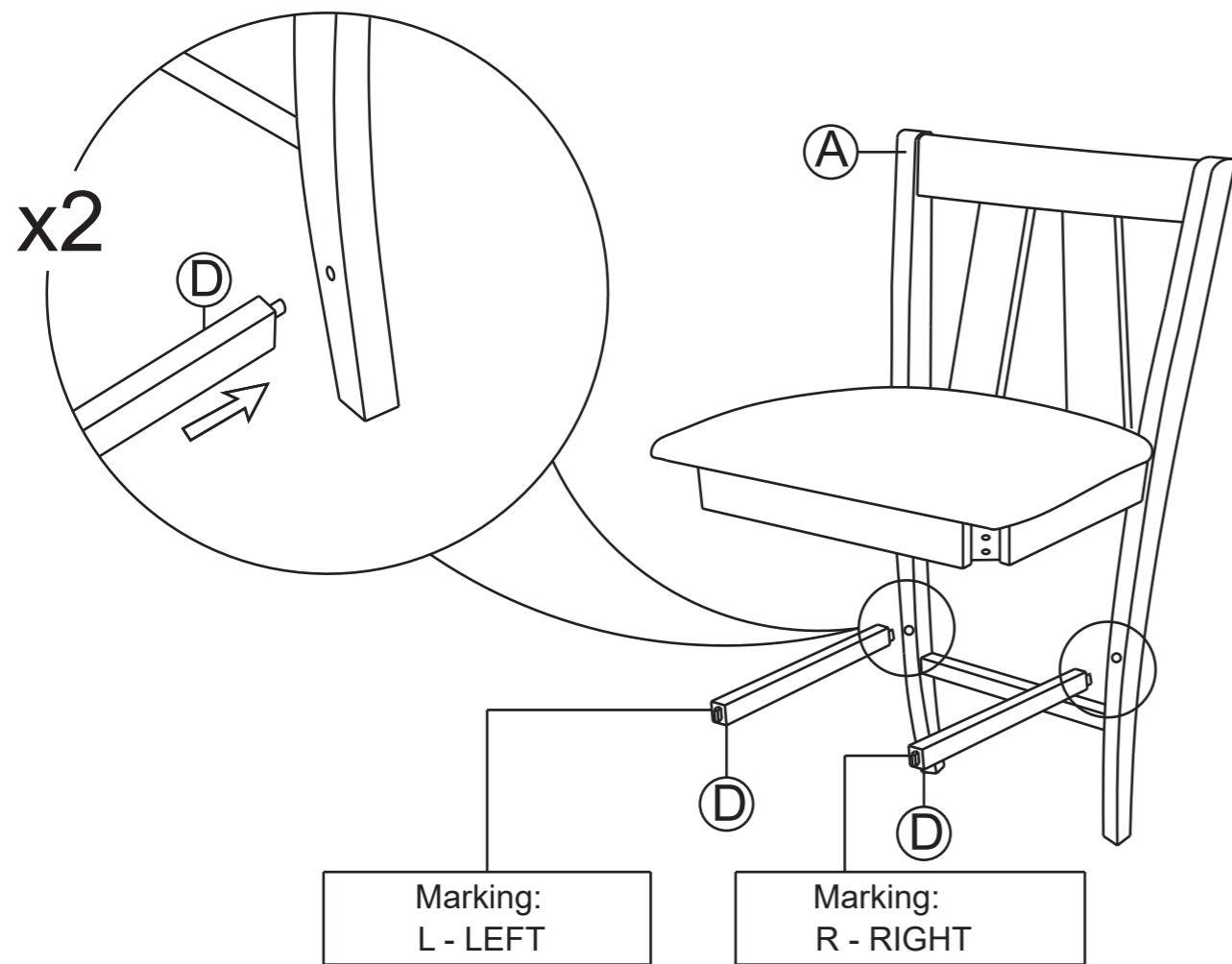
x2

Step 2



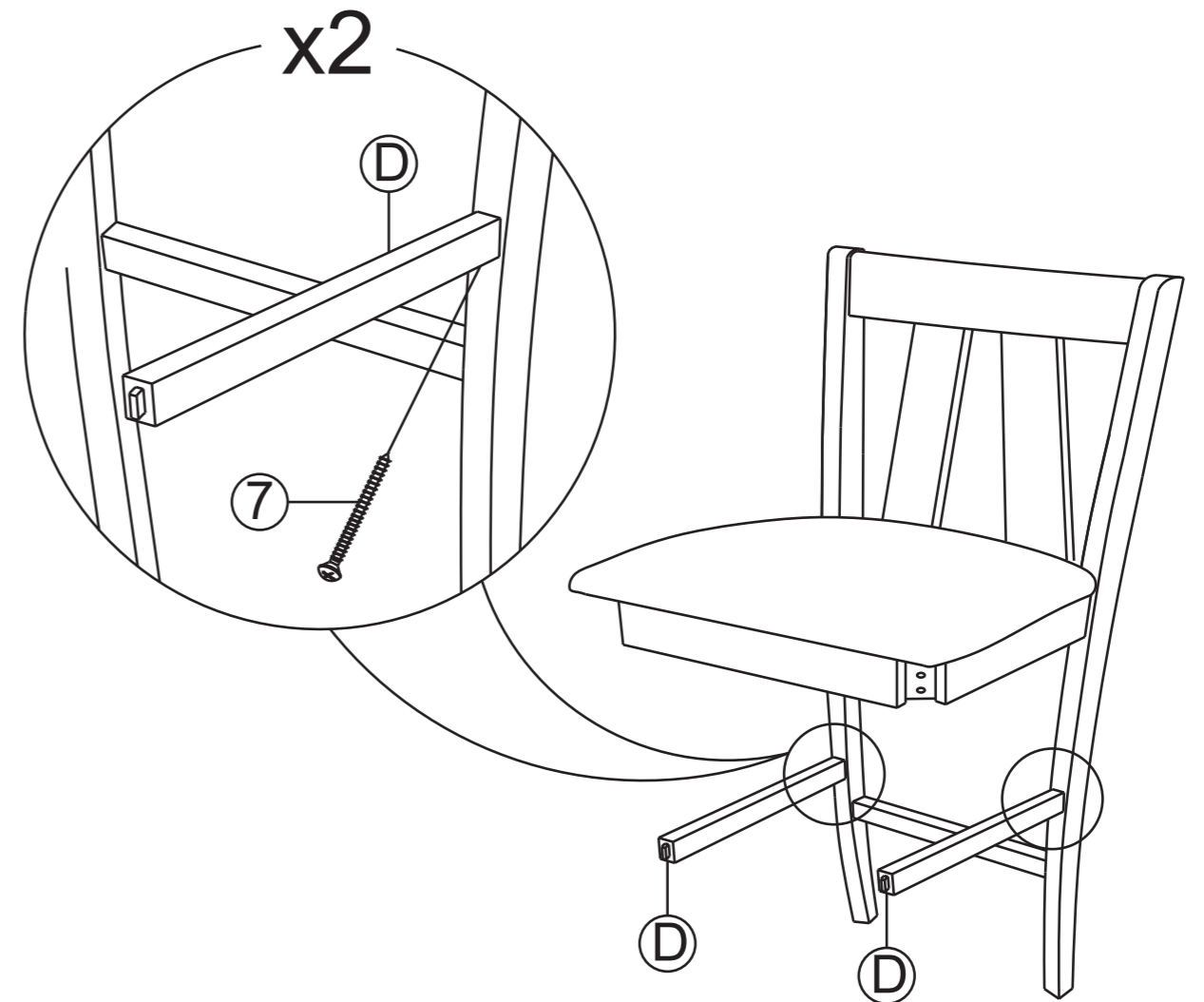
x2

Step 3



x2

Step 4



x2