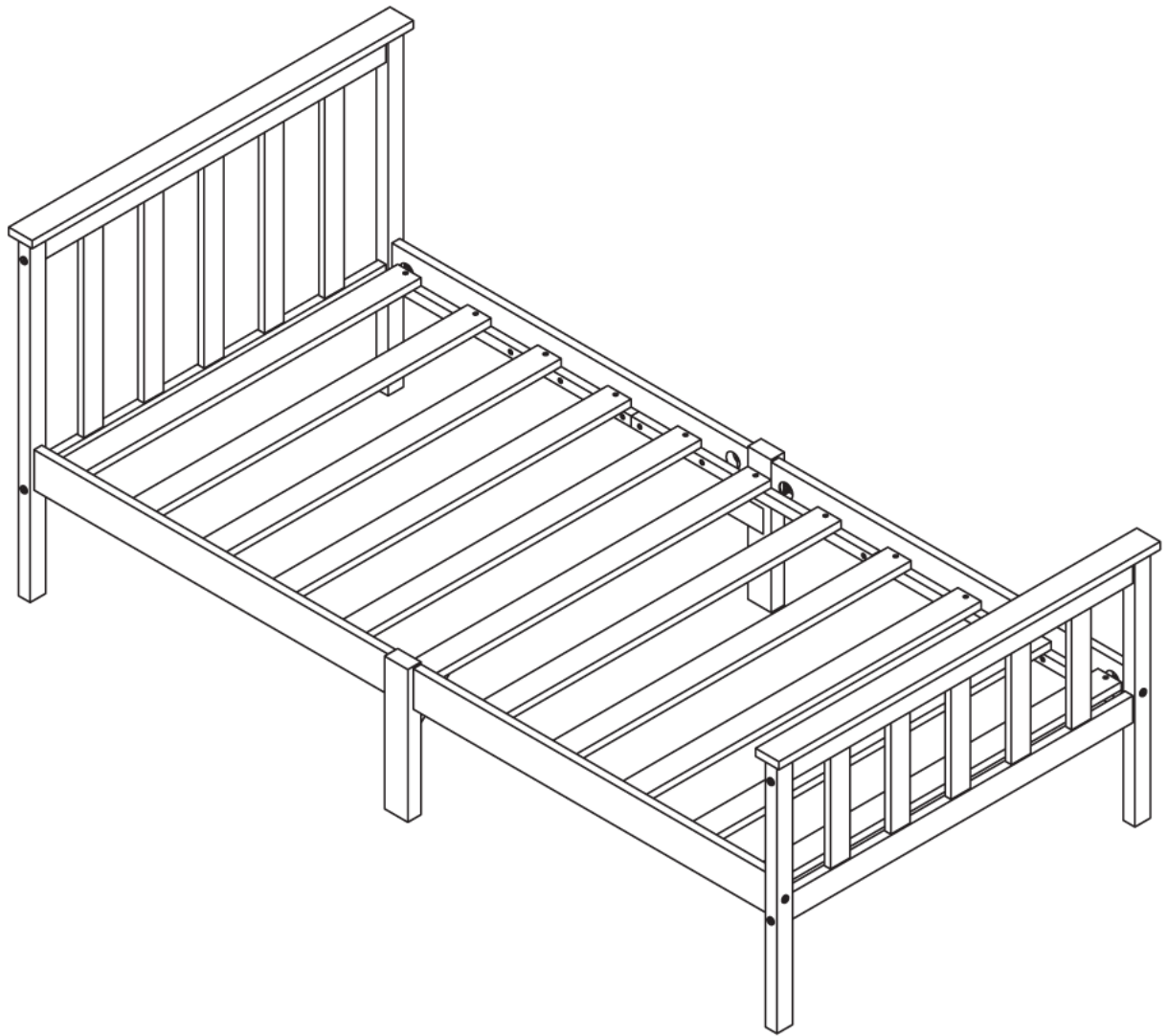
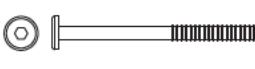




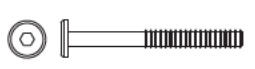







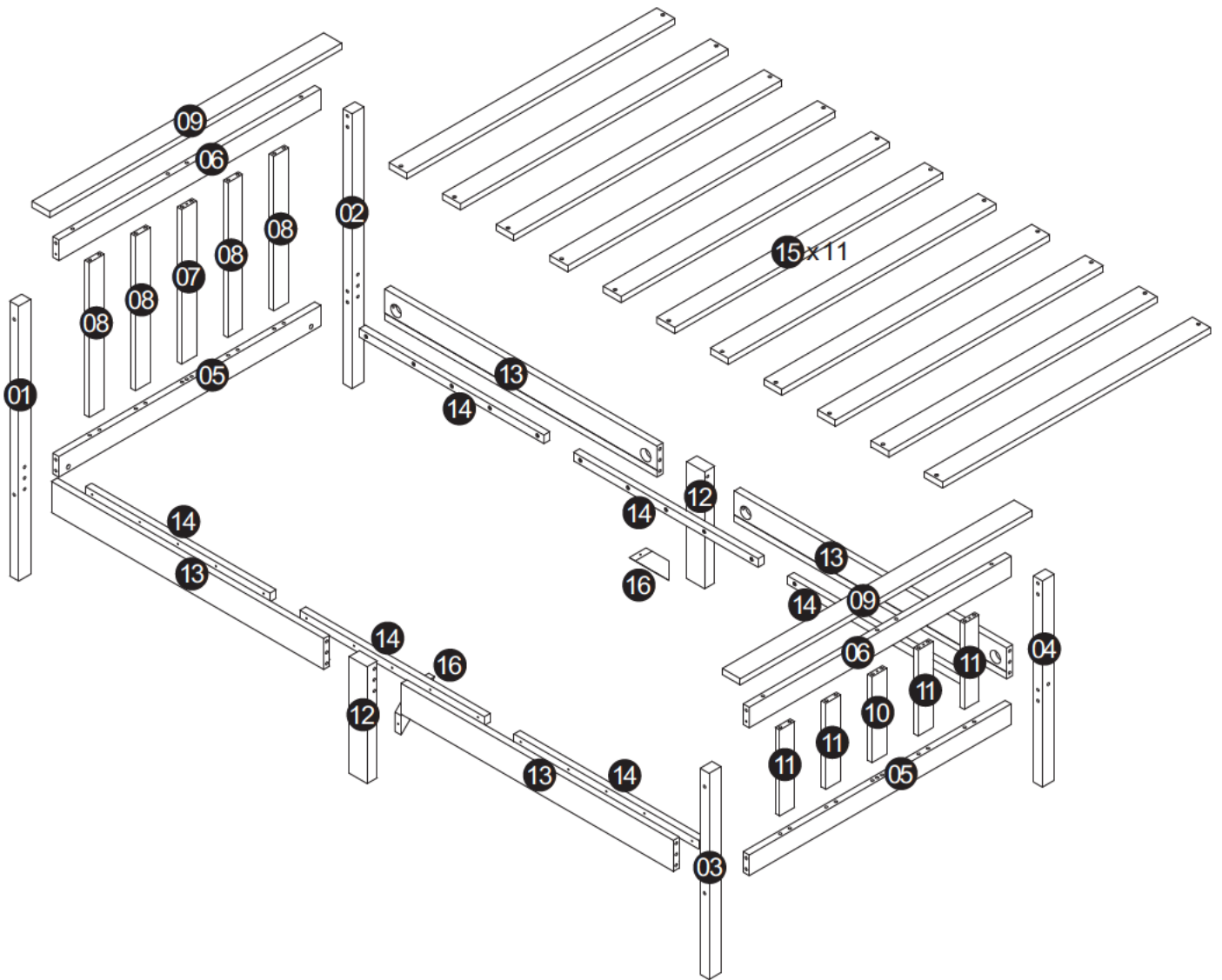


Single Bed



<p>A x4</p>  <p>M6x90</p>	<p>B x4</p> 	<p>C x64</p>  <p>Φ8x30</p>	<p>D x4</p>  <p>Φ6x90</p>	<p>E x4</p>  <p>Φ7x85</p>
<p>F x10</p>  <p>M6x70</p>	<p>G x2</p> 	<p>H x8</p>   	<p>J x56</p>  <p>Φ4x30</p>	<p>K x2</p> 
<p>L x1</p> 				

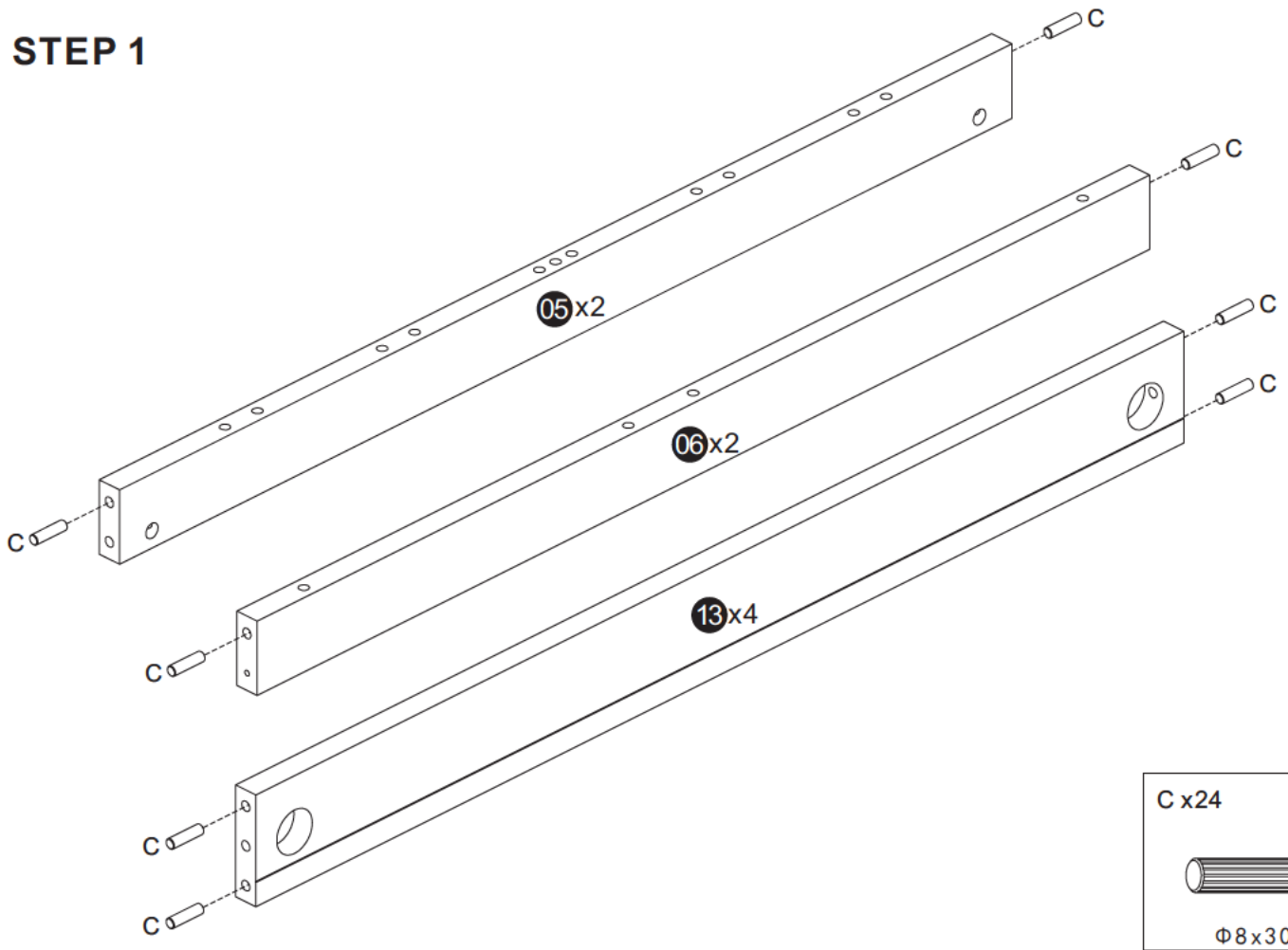
PARTS LIST



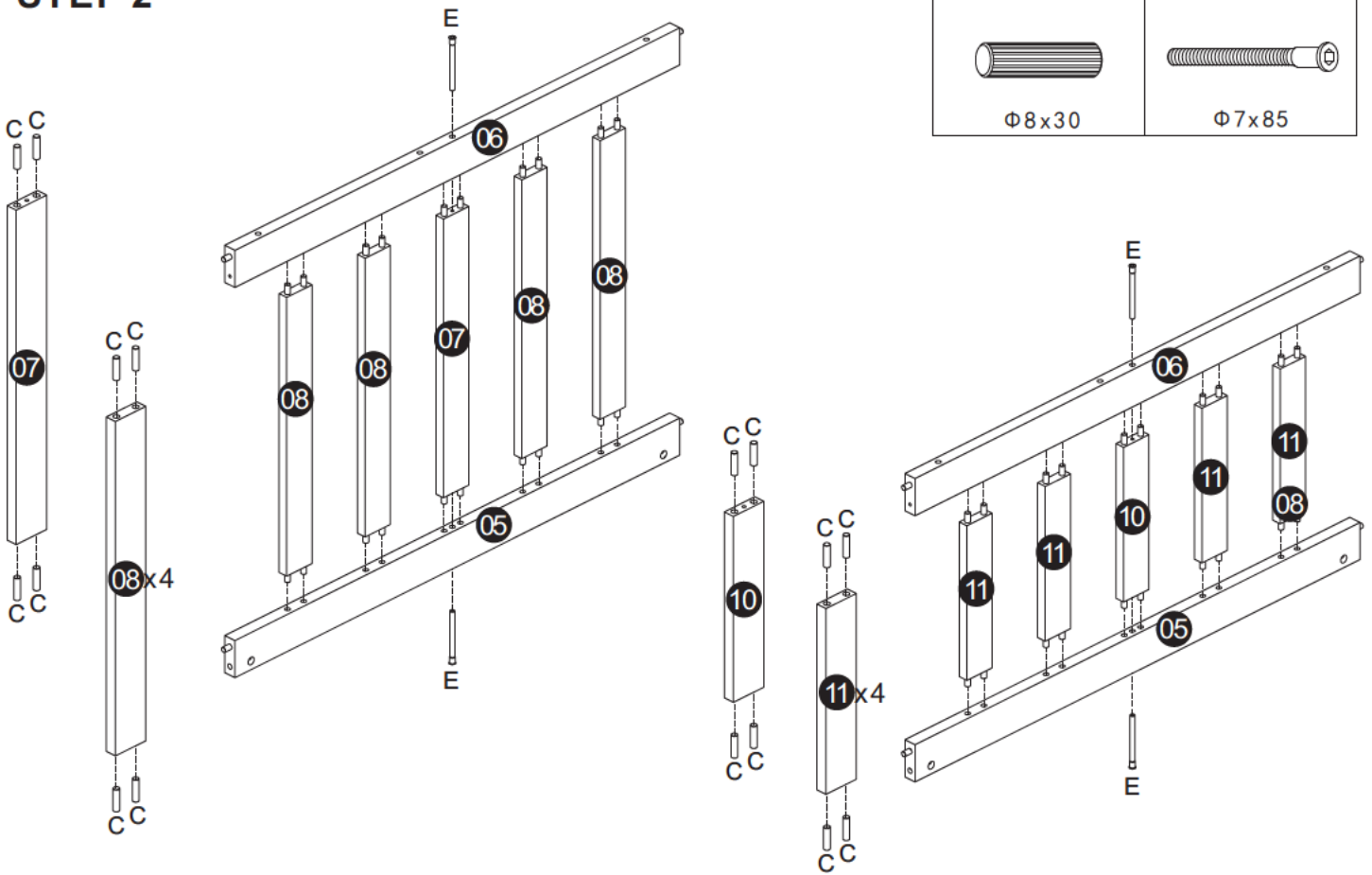
NO.	QTY	DESCRIPTION
01	1	Bed leg
02	1	Bed leg
03	1	Bed leg
04	1	Bed leg
05	2	Lower cross-brace
06	2	Upper cross-brace
07	1	Head support
08	4	Head support

NO.	QTY	DESCRIPTION
09	2	Head board
10	1	Tail support
11	4	Tail support
12	2	side leg
13	4	Bed side
14	6	Bedside support
15	11	Bed slat
16	2	Side support

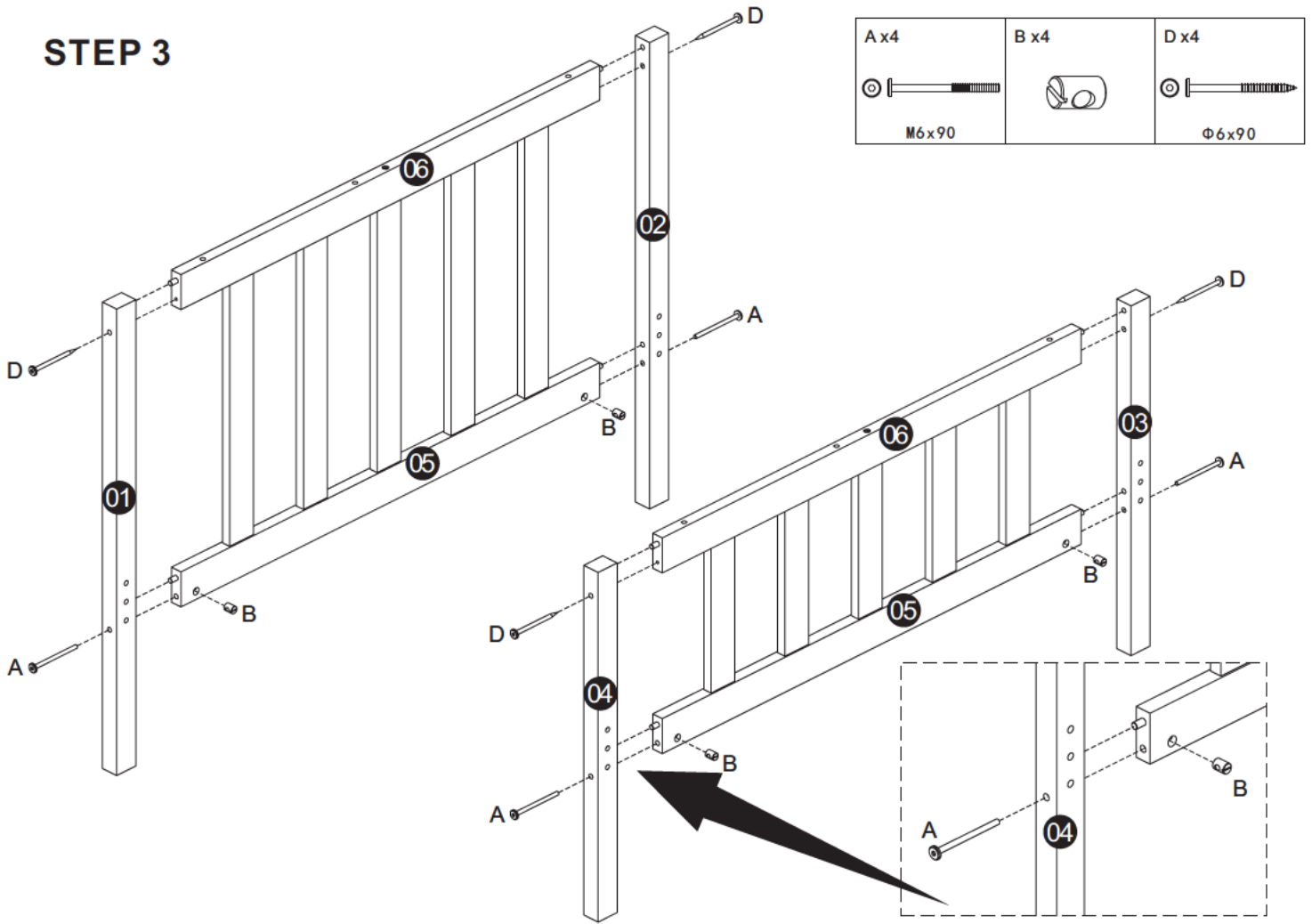
STEP 1



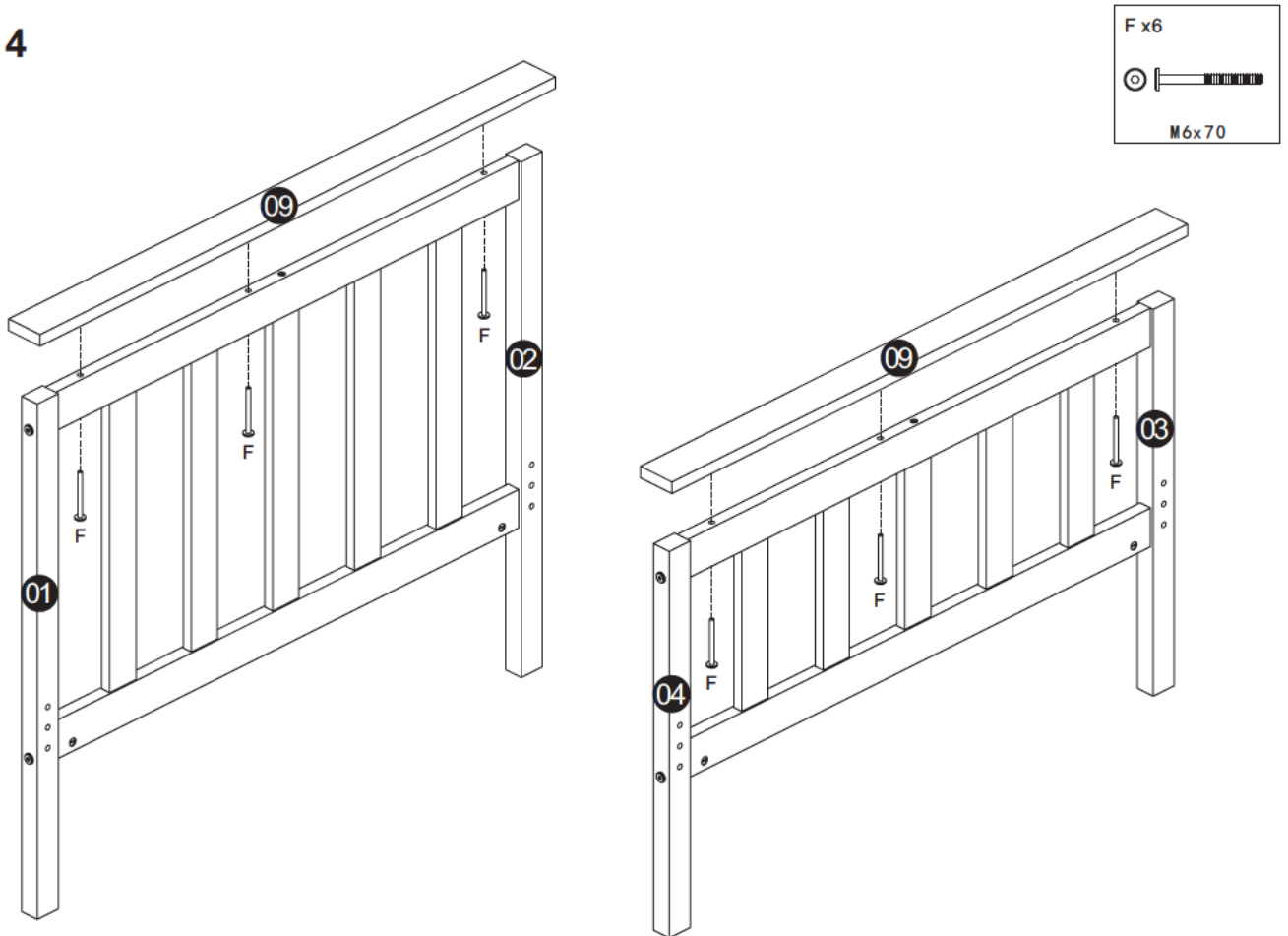
STEP 2



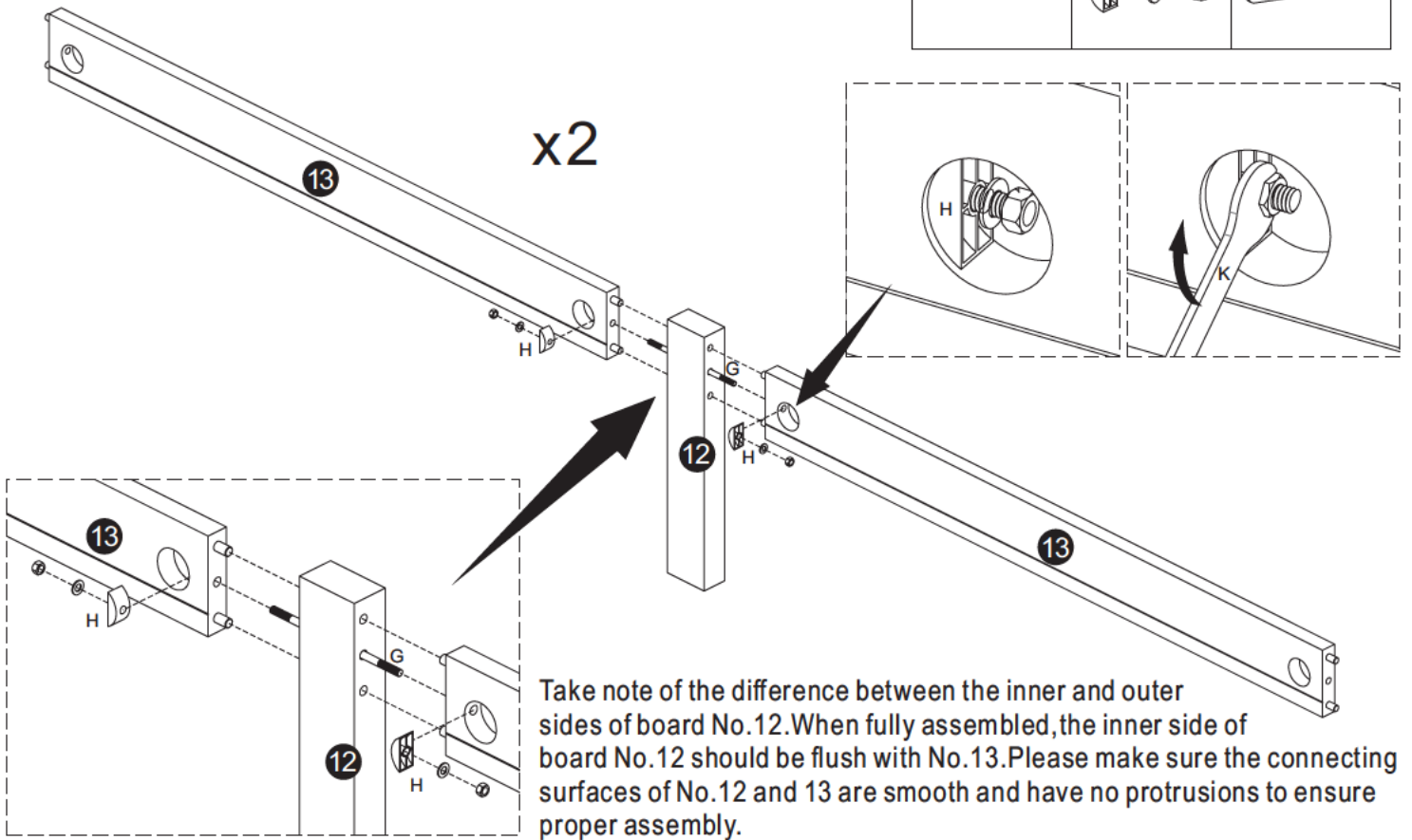
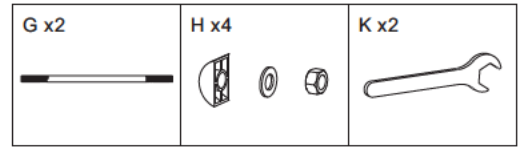
STEP 3



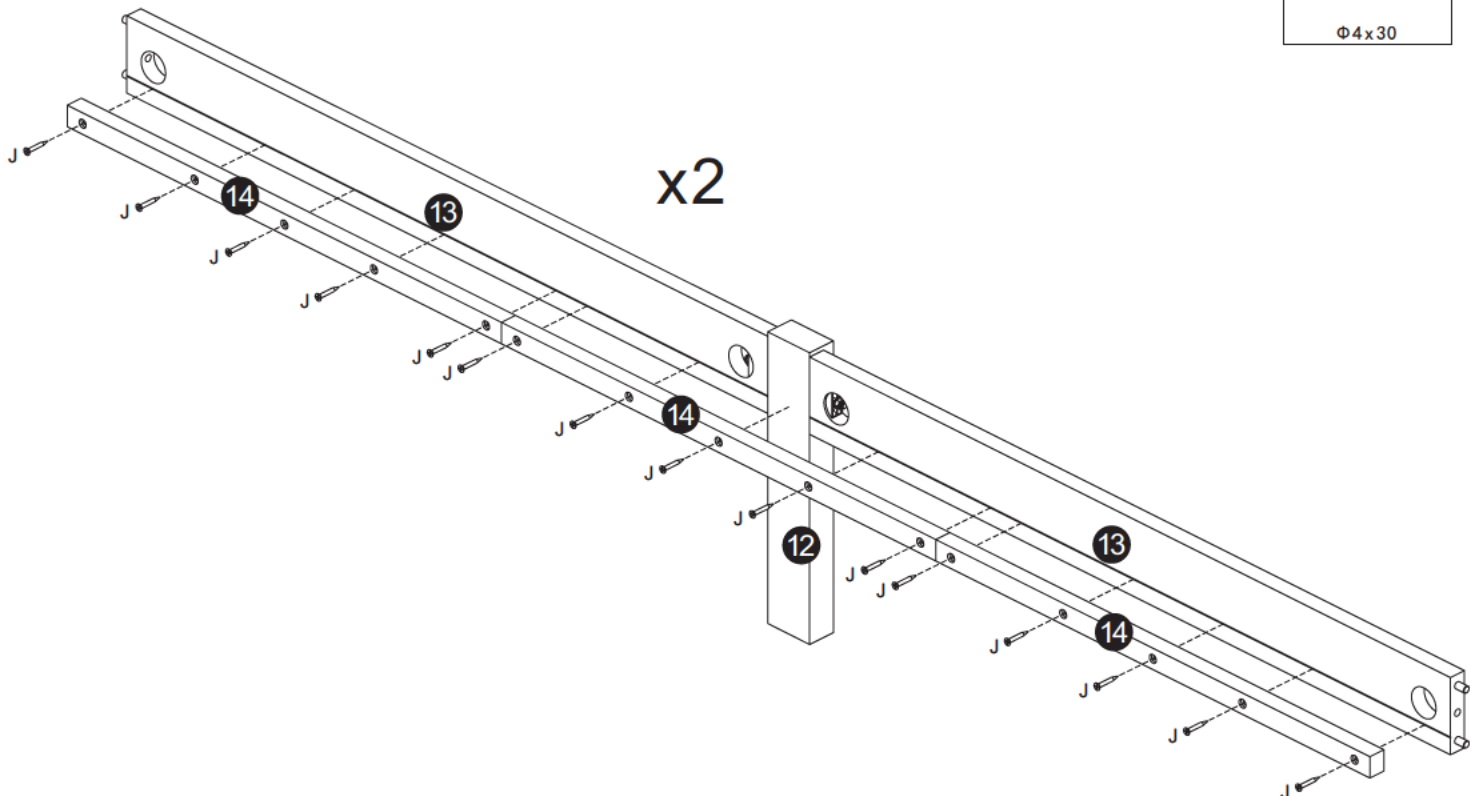
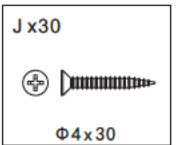
STEP 4



STEP 5

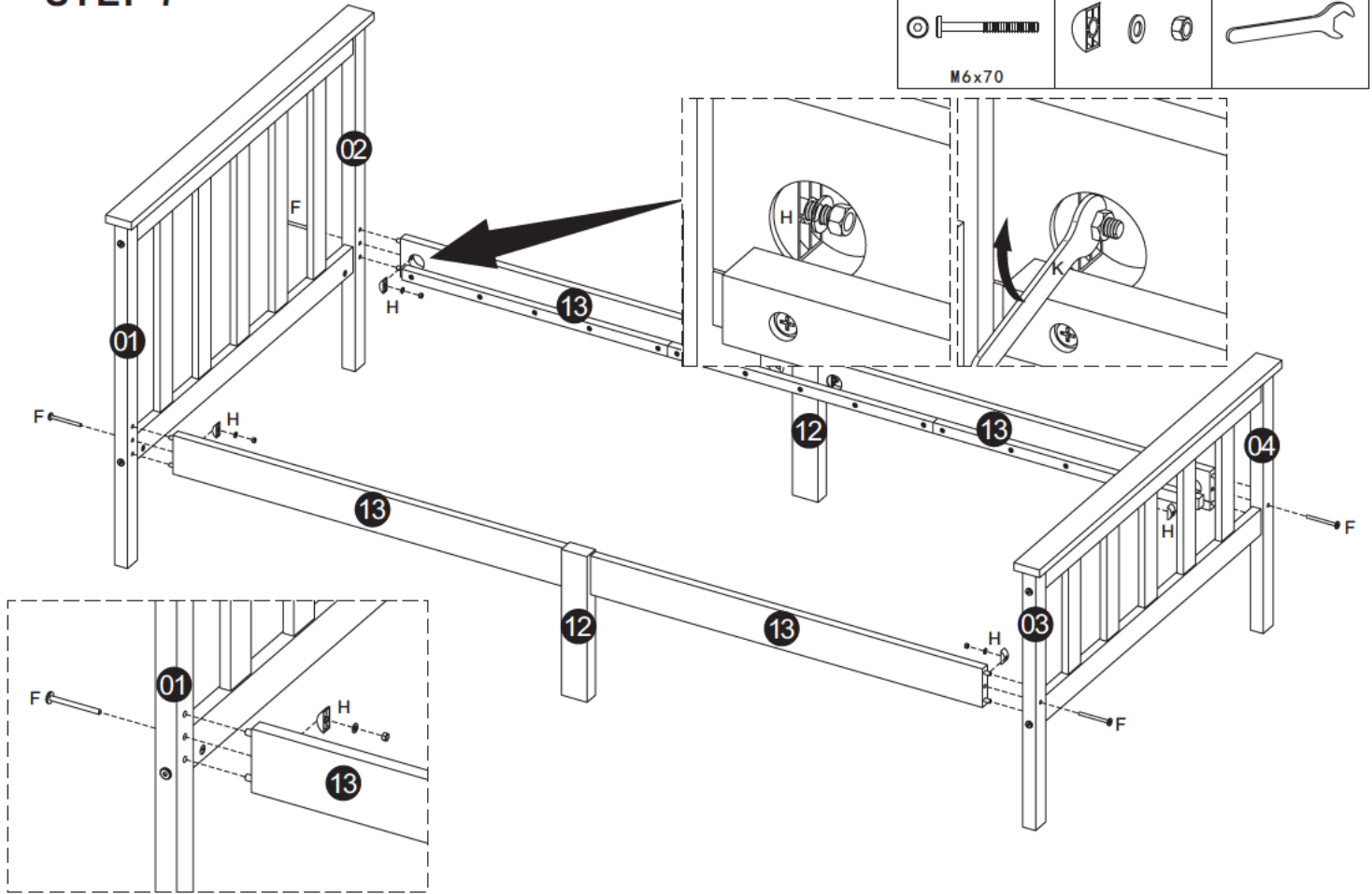


STEP 6



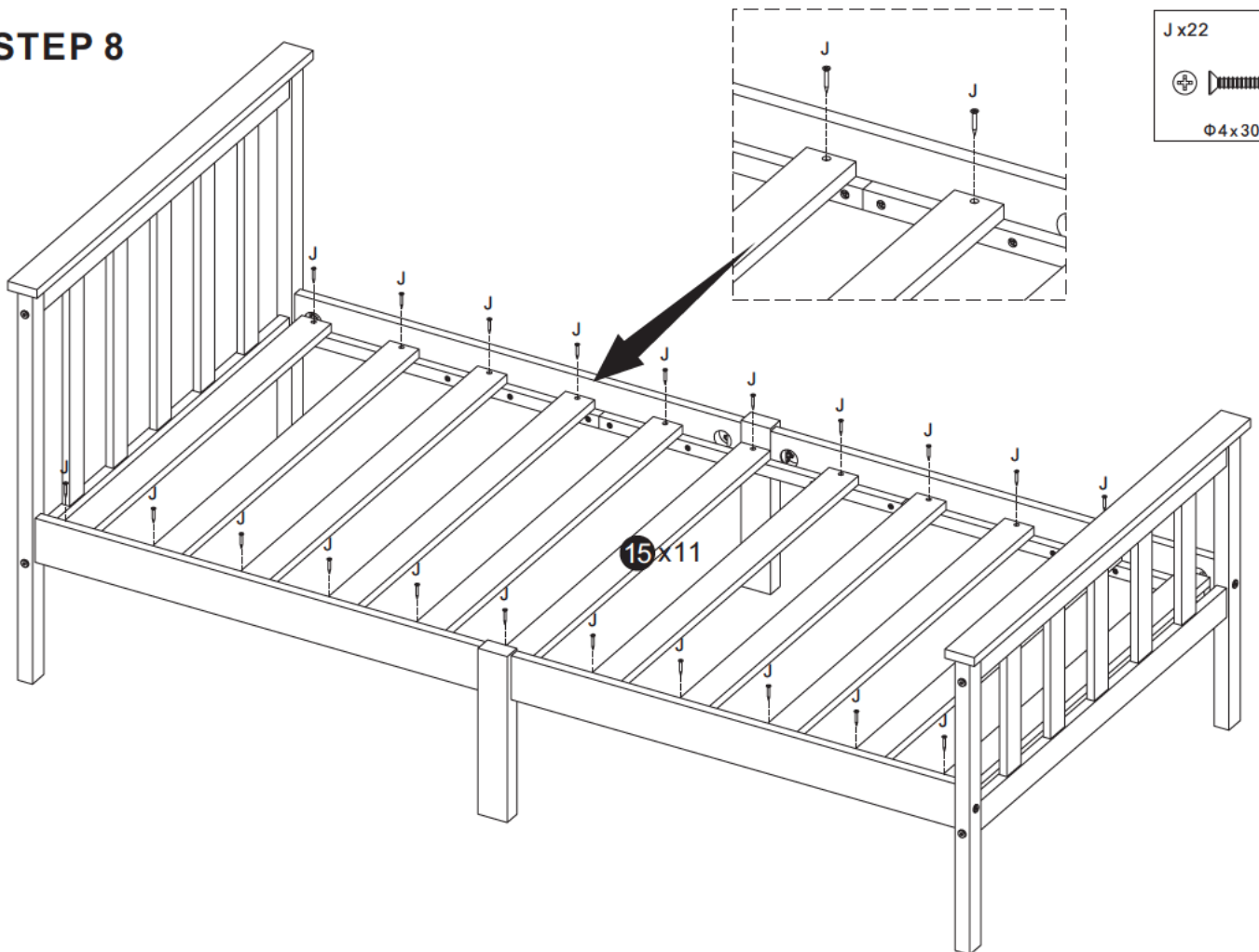
STEP 7

F x4 M6x70	H x4	K x1



STEP 8

J x22
Φ4x30



STEP 9

J x4



Φ4x30

