

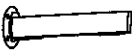





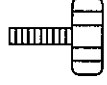
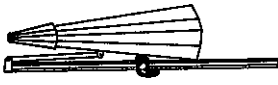
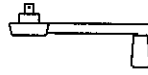


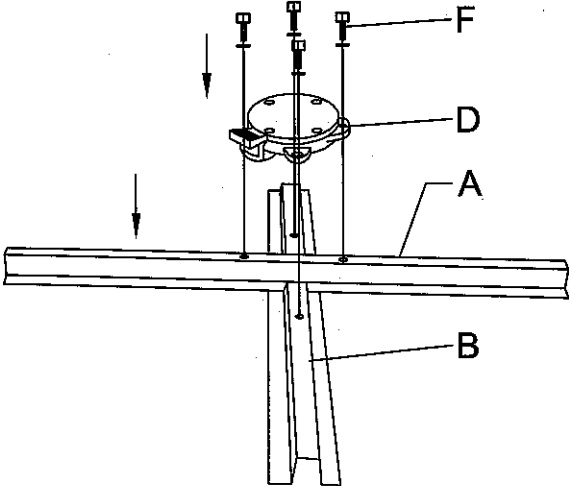
ASSEMBLY INSTRUCTIONS

PARTS

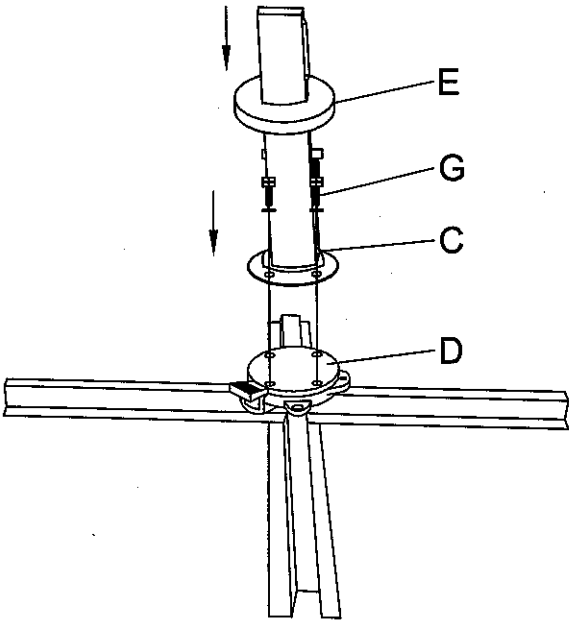
Check that you've received
all parts listed below.

					
A 1 PC	B 1 PC	C 1 PC	D 1 PC	E 1 PC	F 8 PCS
					
G 8 PCS	H 1 PC	I 1 PC	J 1 PC		K 1 PC

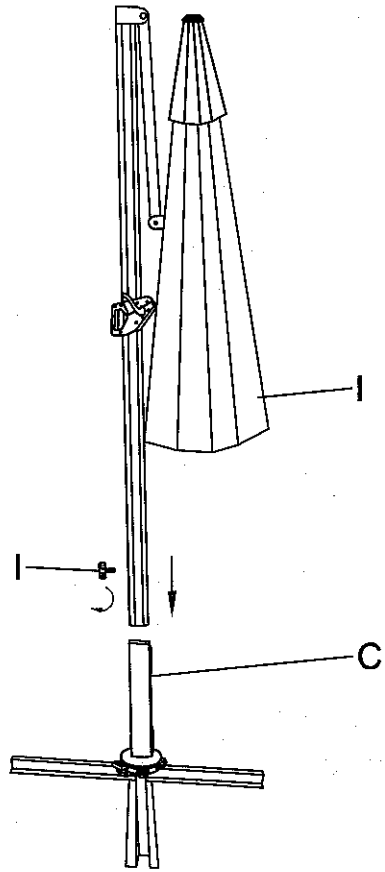
STEP 1



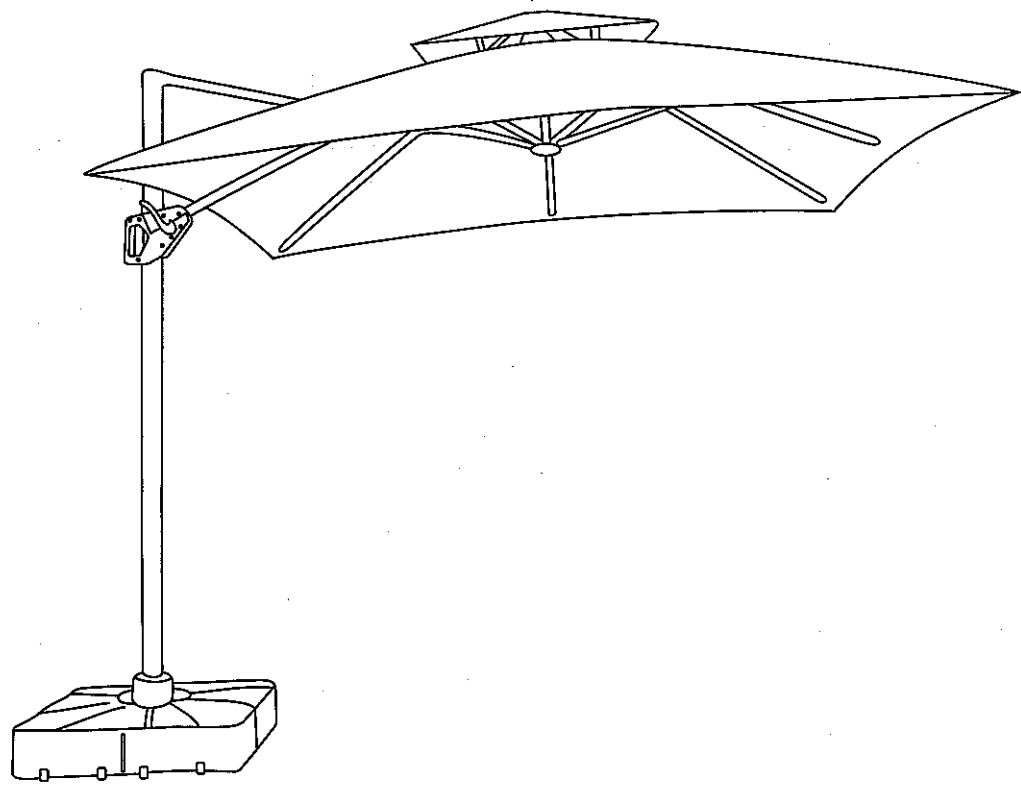
STEP 2



STEP 3



STEP 4



 CARE INSTRUCTIONS

Outdoor furniture naturally weathers and shows color variation over time. We recommend the following care for the best results:

- Wipe with a soft cloth.
- Wash with mild soap and water as needed; do not use abrasive cleaners.
- Cover furniture with an outdoor cover (not included) when not in use.
- Store in a dry, covered area during inclement weather or winter season.



After assembly is completed, save these instructions and any included tools for future maintenance or re-assembly.