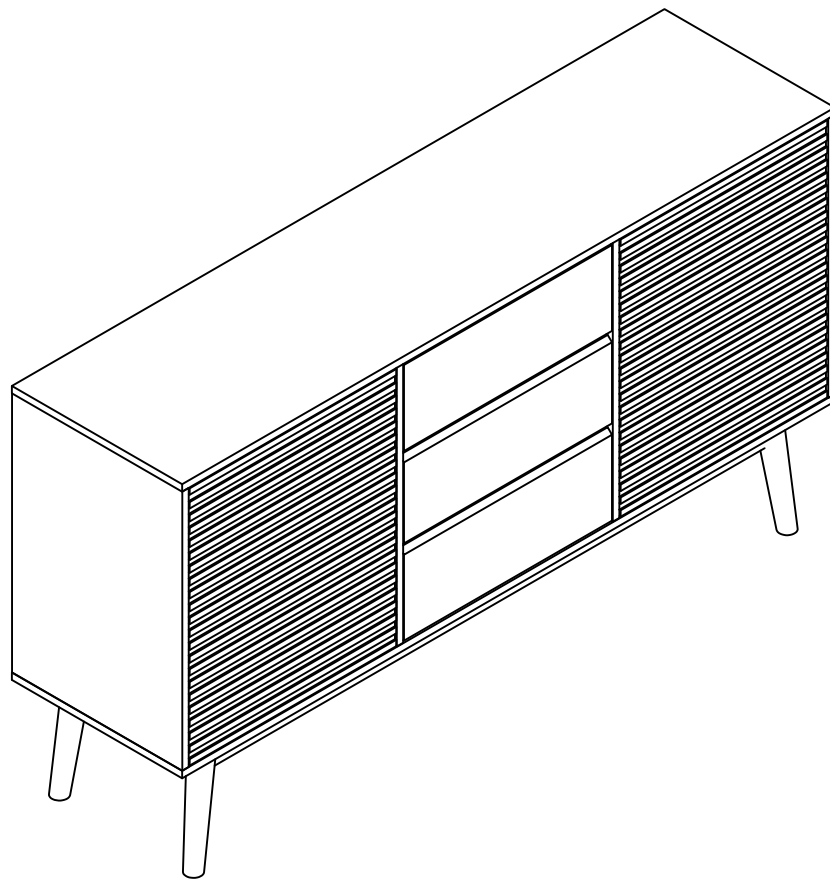
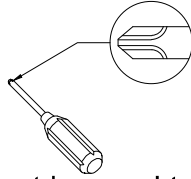


Item # :GMD-D02
Assembly Instructions

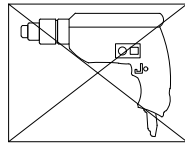


General Assembly Guidelines

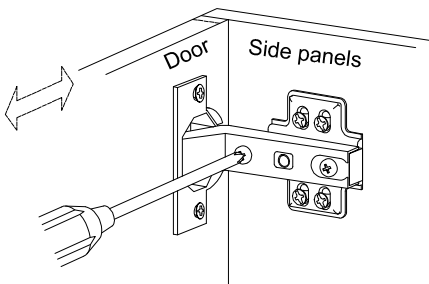
- I. Ensure that all parts and hardware are available before beginning assembly.
- II. Follow each step carefully to ensure the proper assembly of this product.
- III. Two people are recommended for ease in the assembly of this product.
- IV. The three main types of hardware used to assemble this product are: wood dowels, screws and bolts.
- V. A Phillips head screwdriver is required for the assembly of this product.



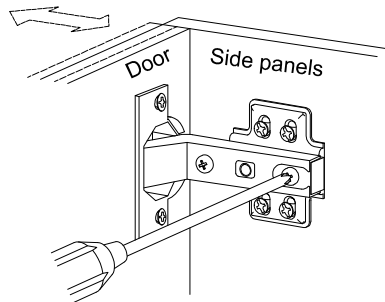
- VI. Power tools should not be used to assemble this product.



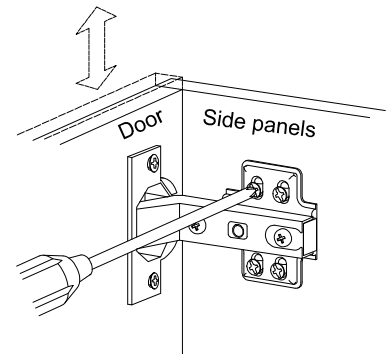
- VII. Drill may be needed for securing product to wall.
- VIII. Concealed hinges are three-way adjustable.



Horizontal
by screw adjustment

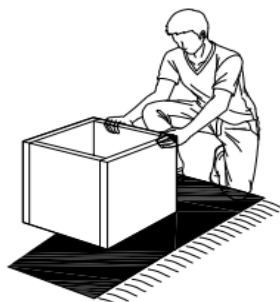


In-and-Out
by loosening the hinge-arm
mounting screw or via cam
adjustment



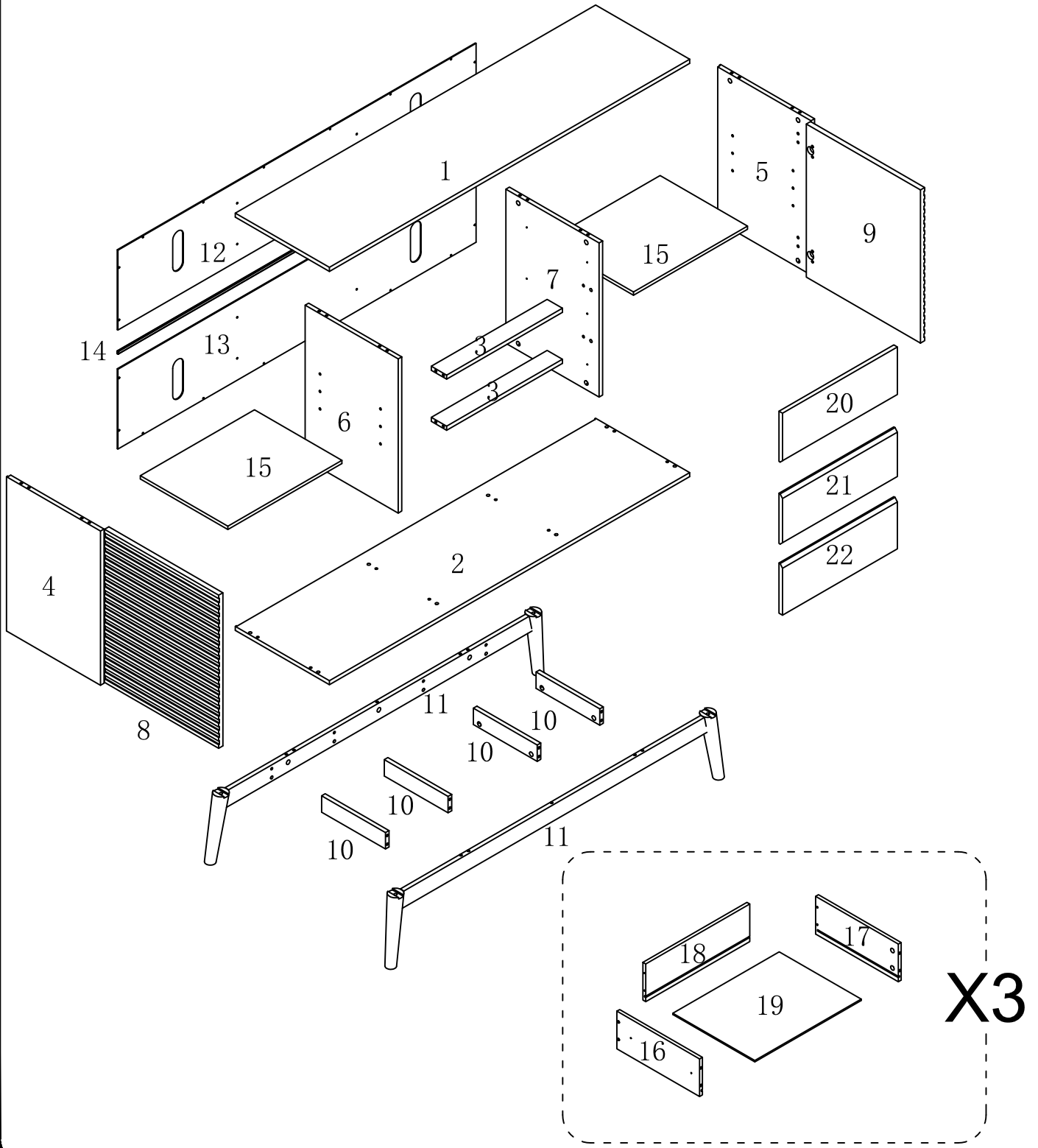
Vertical
Via slots in the mounting
plate or via cam adjustment

- IX. Assemble the furniture on empty carton, carpet, or rug to prevent scratches or damage.






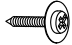









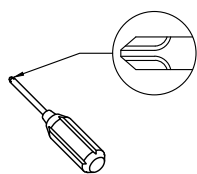
Parts List

Please keep small parts out of reach of children and pet.



Hardware List

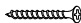
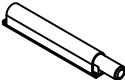
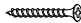


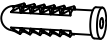
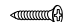
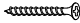
A		Ø6x35	Cam bolt	46 pcs
B		Ø8x30	Wooden dowel	32 pcs
C		Ø15x9.5	Cam lock	46 pcs
D			Sticker	46 pcs
E			Shelf support pin	8 pcs
F		Ø3*12	Screw	28 pcs
H			Hinge	4 pcs
I		Ø4x12	Bolt	24 pcs
J		Ø6x30	Bolt	4 pcs
K		Ø6x15	Bolt	8 pcs
L			Spring Washer	12 pcs
M			Flat Washer	12 pcs
N		90*20*3	Plate	4 pcs

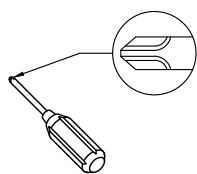


Philips head screwdriver required for assembly
(not included)

*The hardware quantities listed above are required for proper assembly.
Some extra hardware may also have been included.*

Hardware List

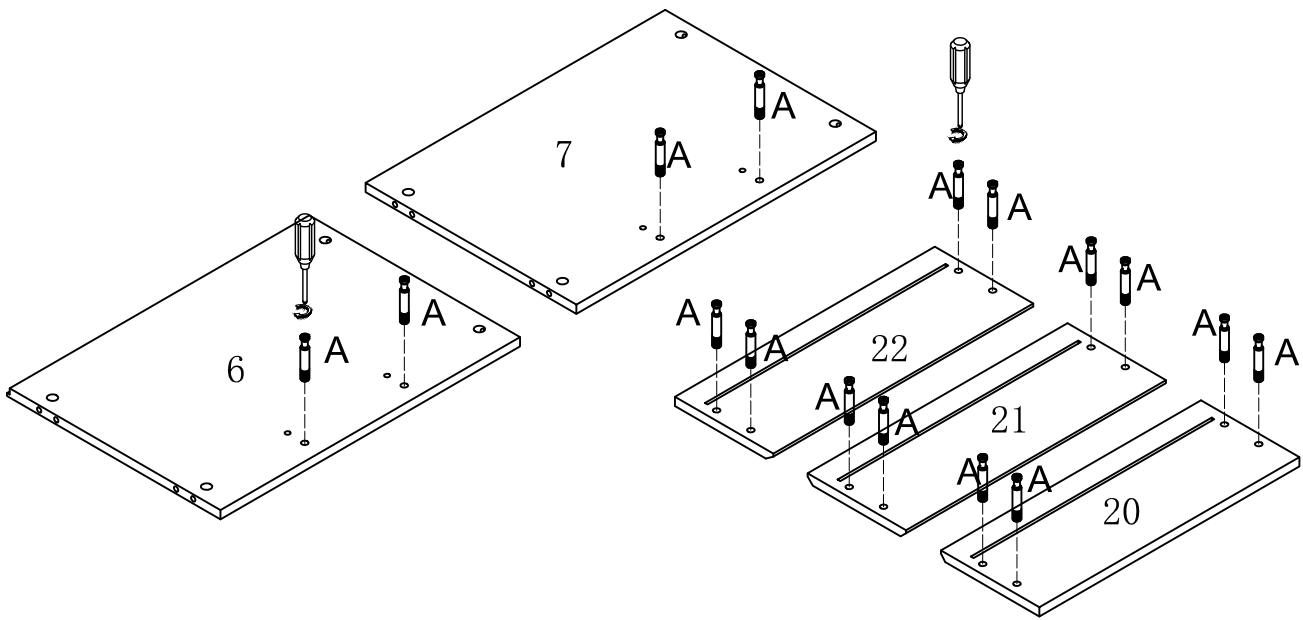
O		Ø4*25	Screw	12 pcs
P			Drawer Rebound devices	2 pcs
Q		Ø3.5*12	Screw	8 pcs
R		M4 mm	Hex key	1 pcs
S			Plastic strap	2 pcs
T			Nut	2 pcs
U		Ø4*15	Screw	2 pcs
V		Ø4*25	Screw	2 pcs



Philips head screwdriver required for assembly
(not included)

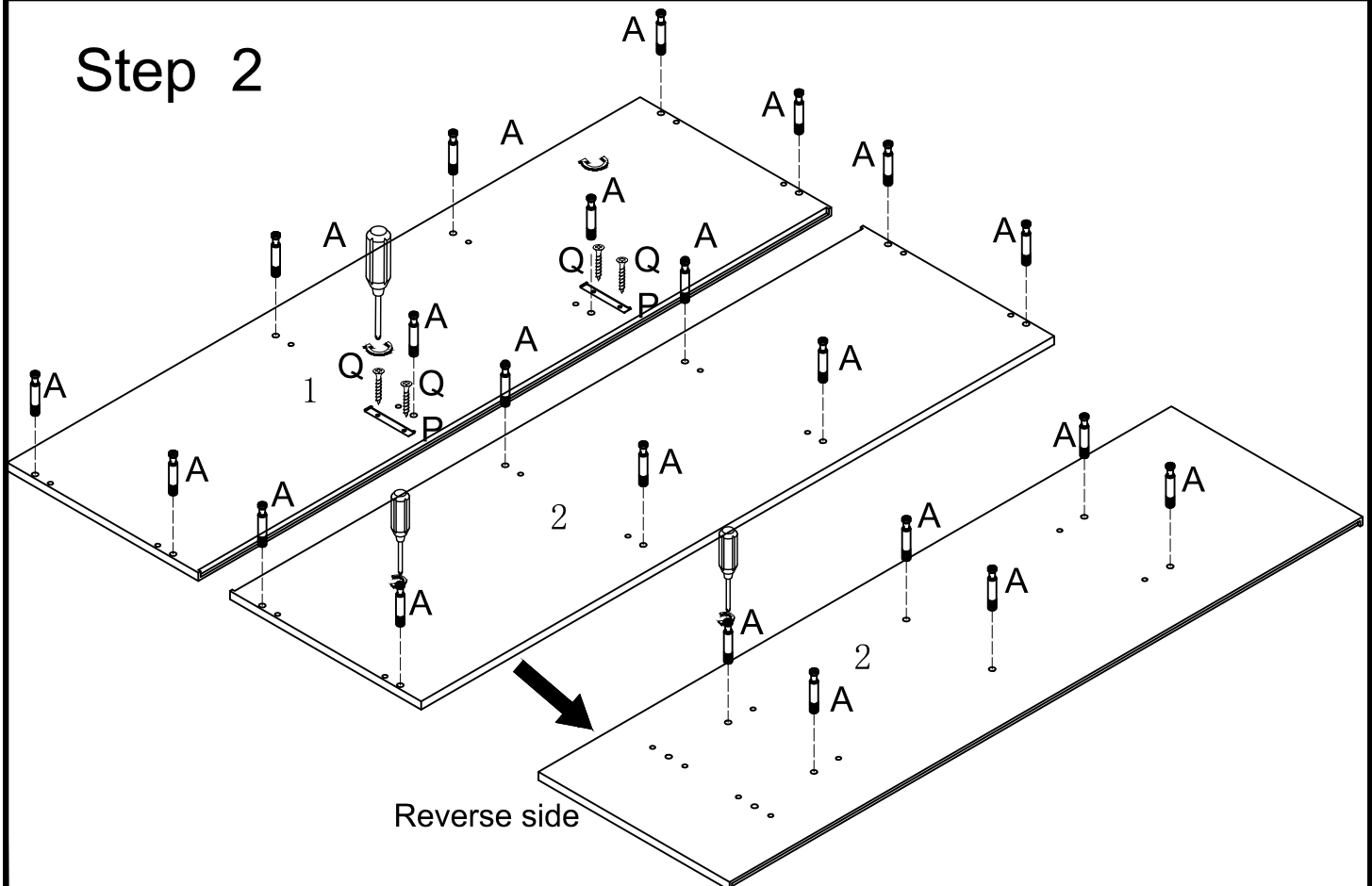
*The hardware quantities listed above are required for proper assembly.
Some extra hardware may also have been included.*

Step 1



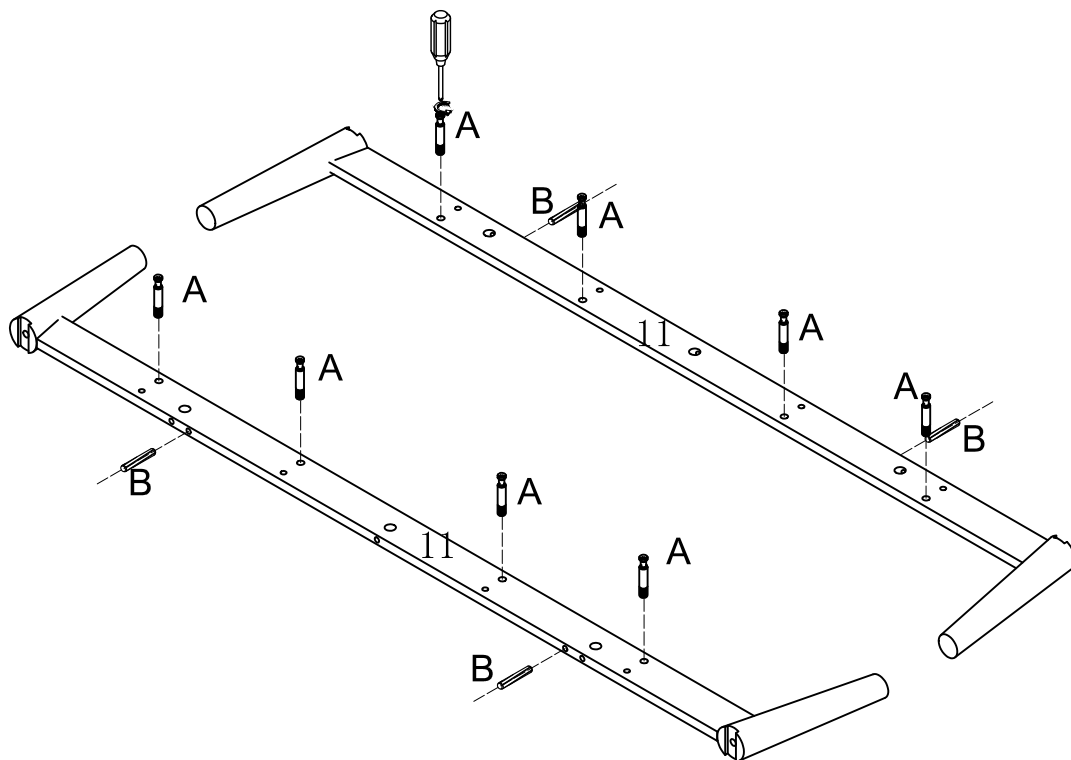
Secure cam bolt (A) into part (6,7,20,21,22) with Philips head screwdriver as per diagram.

Step 2



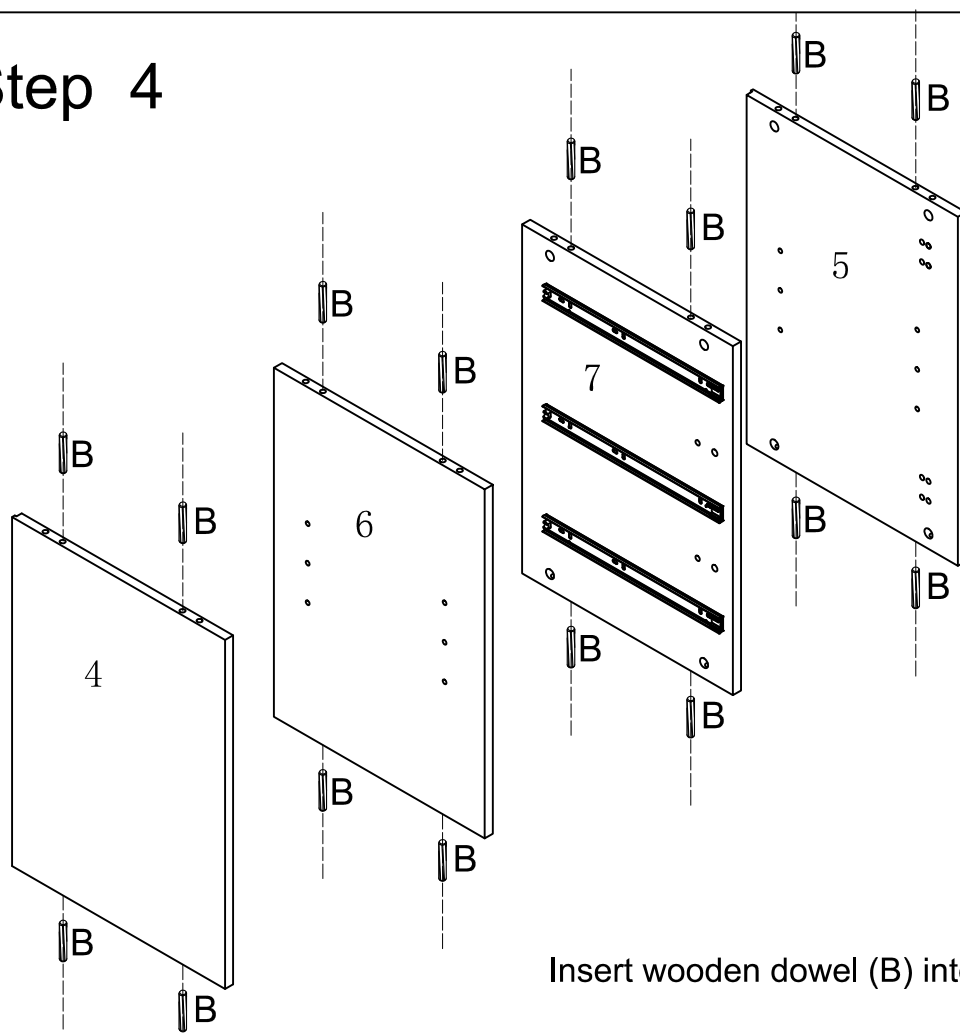
Secure cam bolt (A) into part (1, 2), then secure drawer rebound devices (P) to part (A) by using screw (Q) with Philips head screwdriver as per diagram.

Step 3



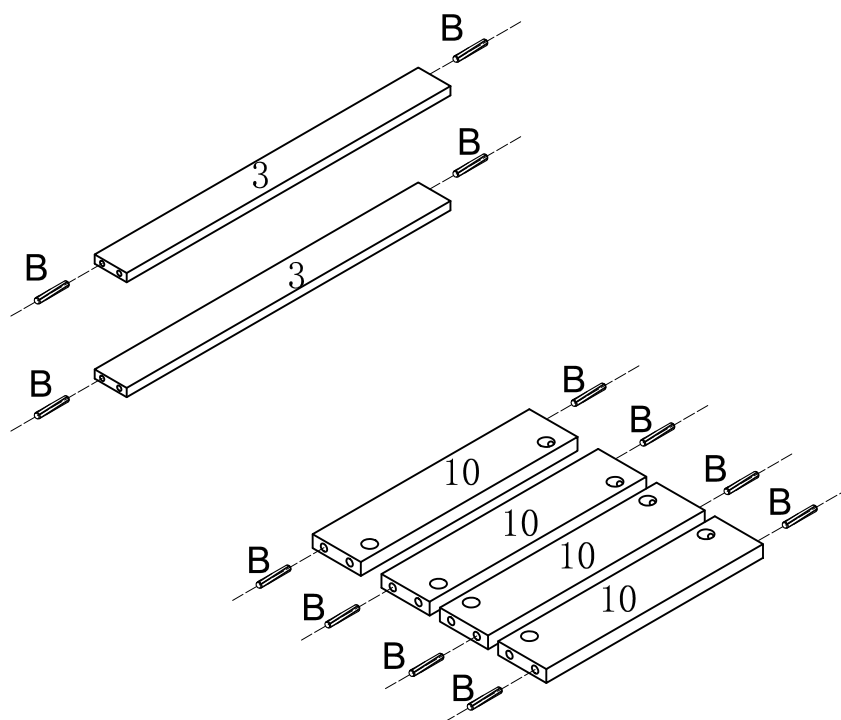
Insert wooden dowel (B) into part (11). Secure cam bolt (A) into part (11) with Philips head screwdriver as per diagram.

Step 4



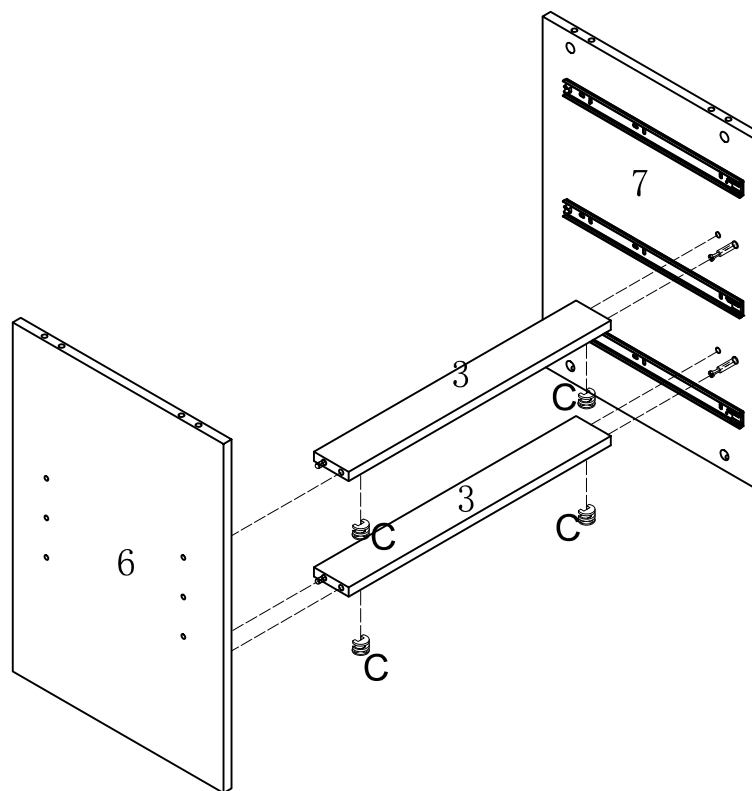
Insert wooden dowel (B) into part (4,5,6,7).

Step 5



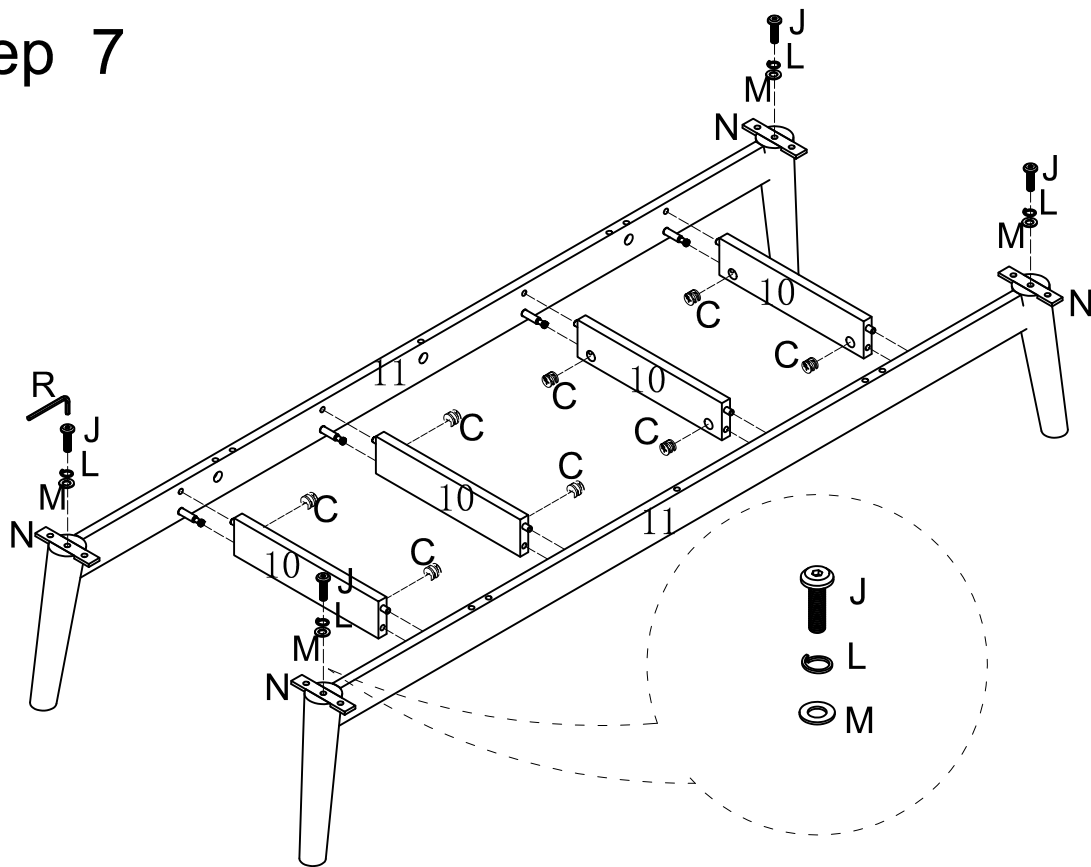
Insert wooden dowel (B) into part (3,10).

Step 6



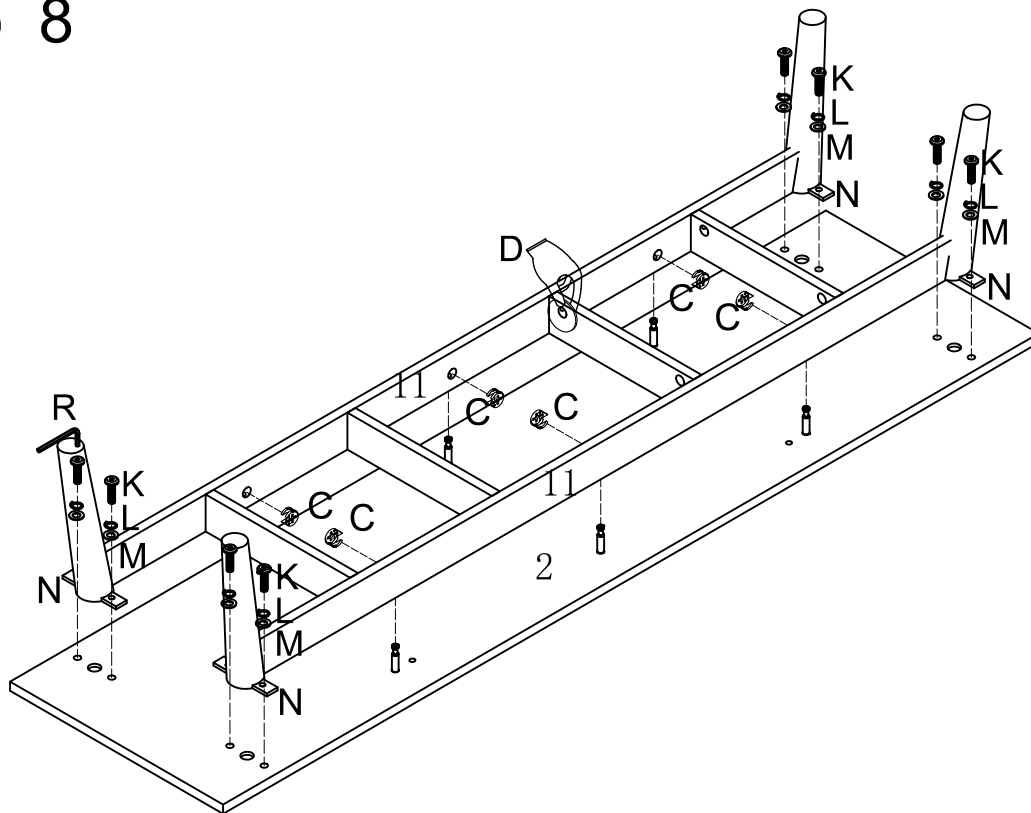
Using cam lock (C) secure parts (3) to parts (6,7) with Philips head screwdriver as per diagram.

Step 7



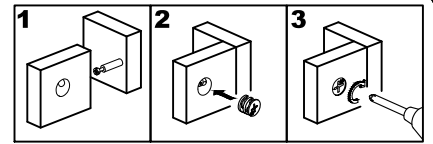
Attach part (10) to part (11) and secure it by using cam lock (C) with Philips head screwdriver. Then, using bolt (J) with spring washer (L), flat washer (M) secure plate (N) to part (11) with hex key (R) as per diagram.

Step 8

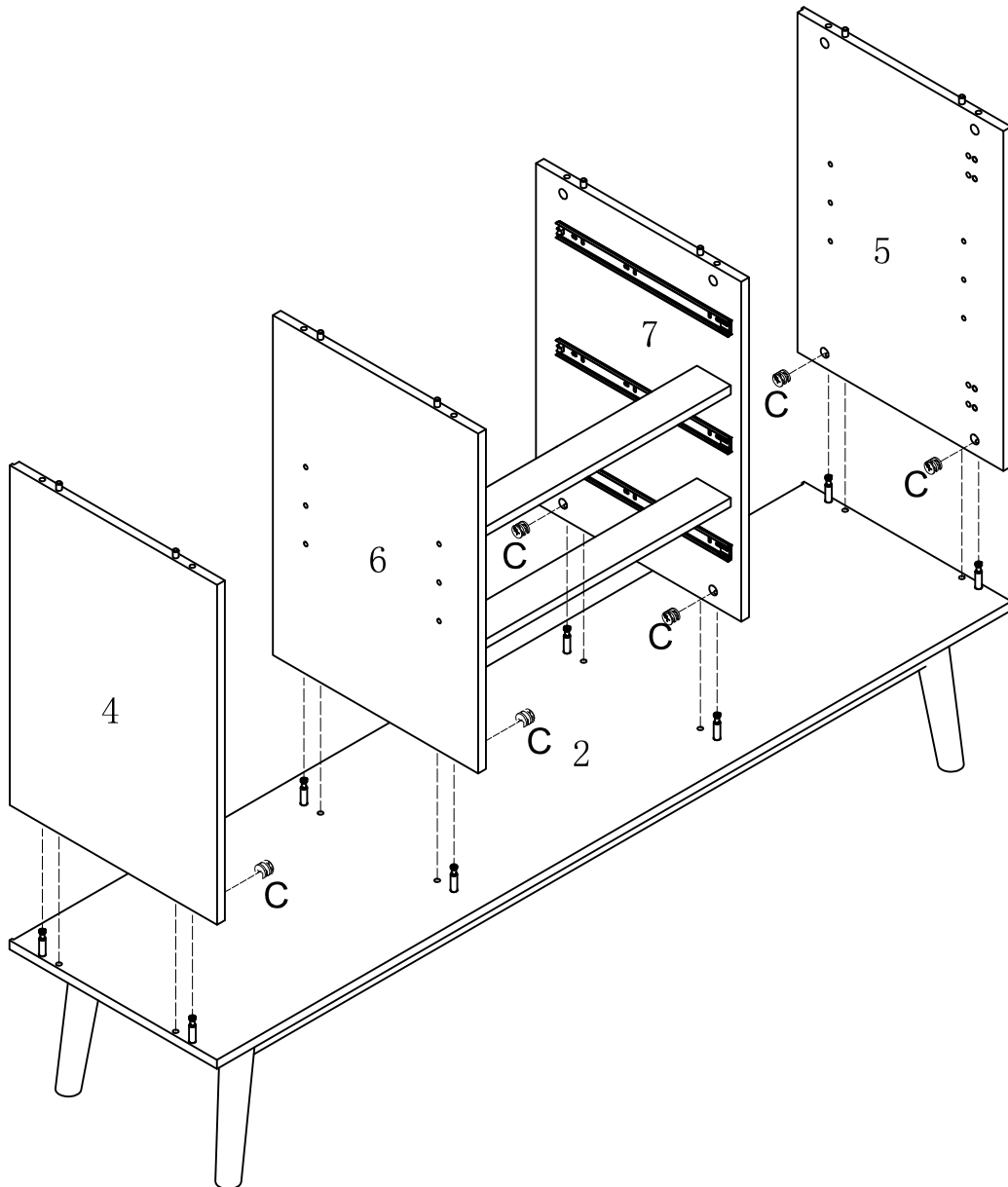


Using cam lock (C) secure part (11) to part (2) with Philips head screwdriver. Then using bolt (K) with spring washer (L), flat washer (M) secure plate (N) to part (2) with hex key (R) as per diagram. Place sticker (D) cover the holes finally.

Step 9

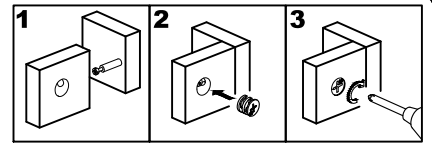


Note: Please don't over-tighten the cam lock, otherwise, it will be broken.

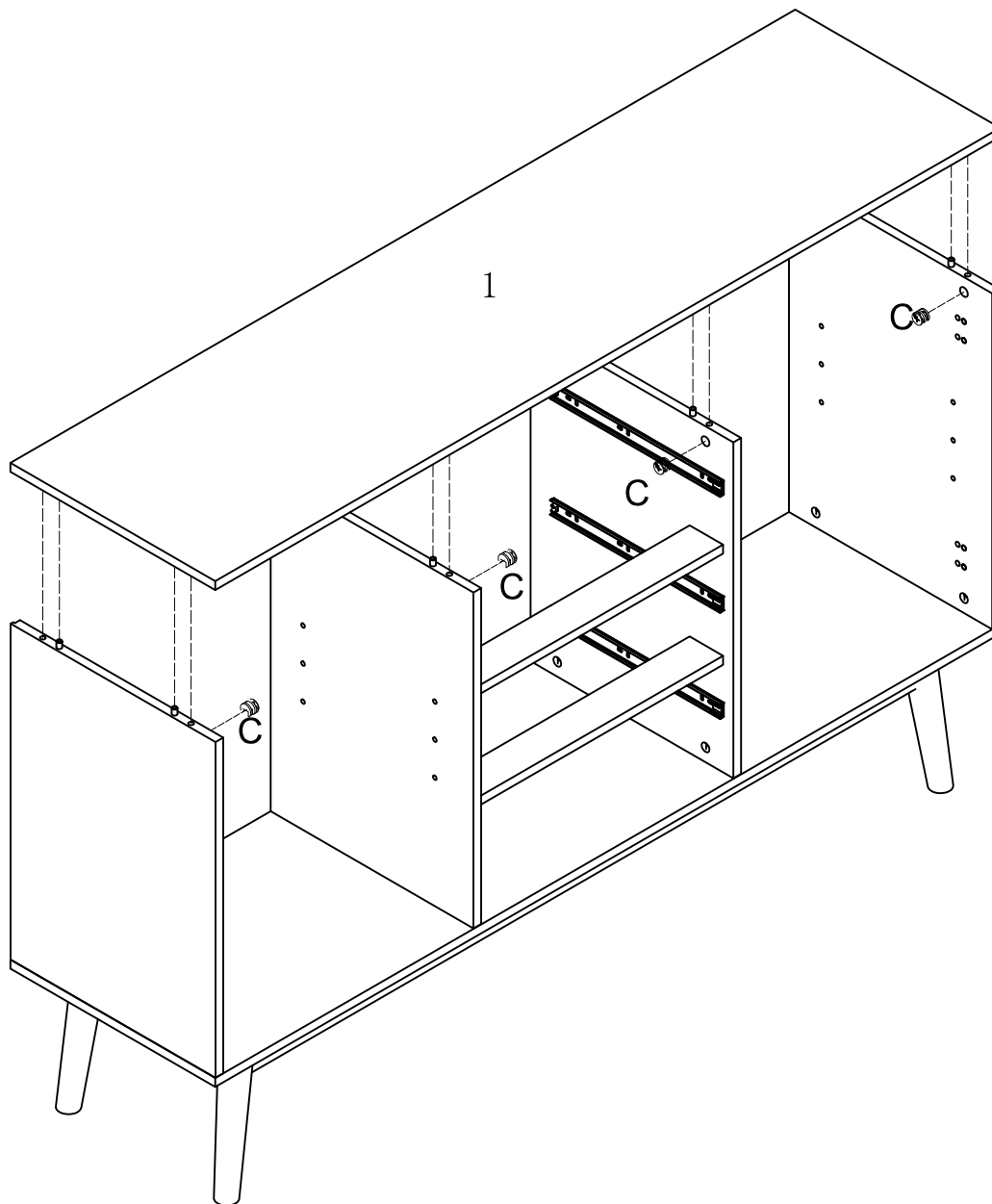


Attach part (4,5,6,7) to part (2) and secure it by using cam lock (C) with Philips head screwdriver as per diagram.

Step 10

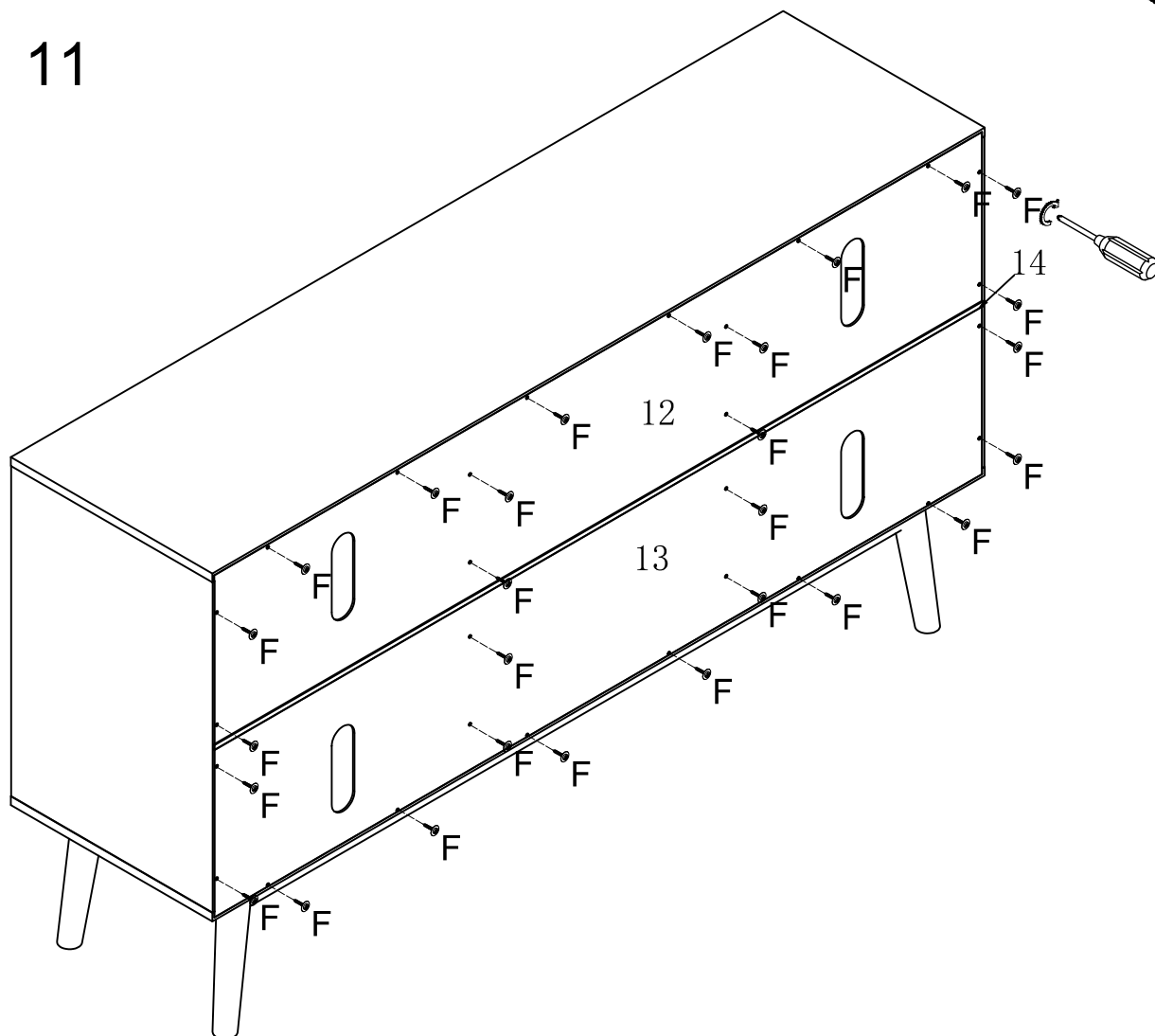


Note: Please don't over-tighten the cam lock, otherwise, it will be broken.



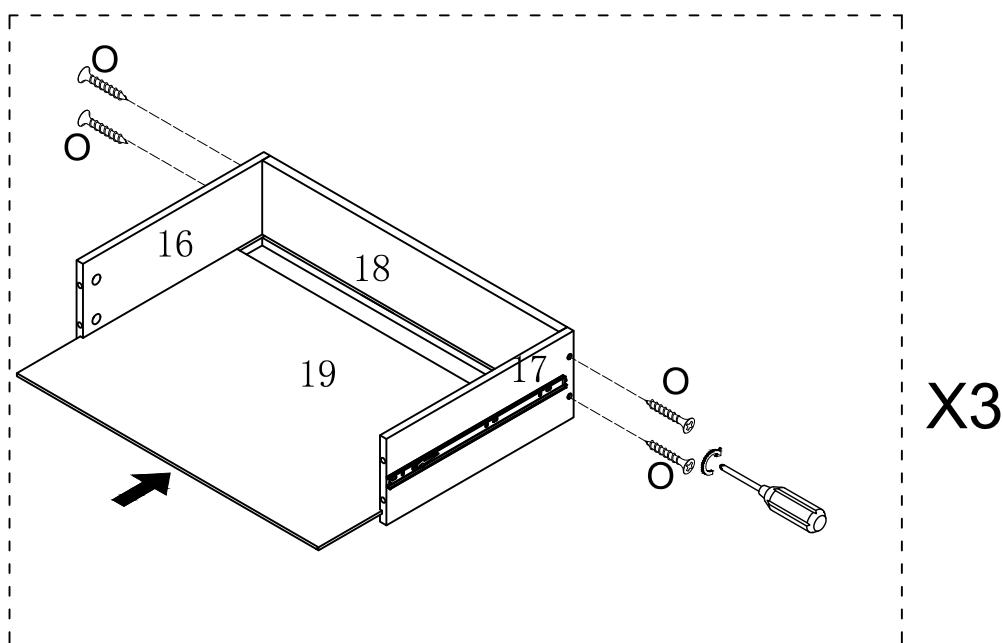
Attach part (1) to the assembly and secure it by using cam lock (C) with Philips head screwdriver as per diagram.

Step 11



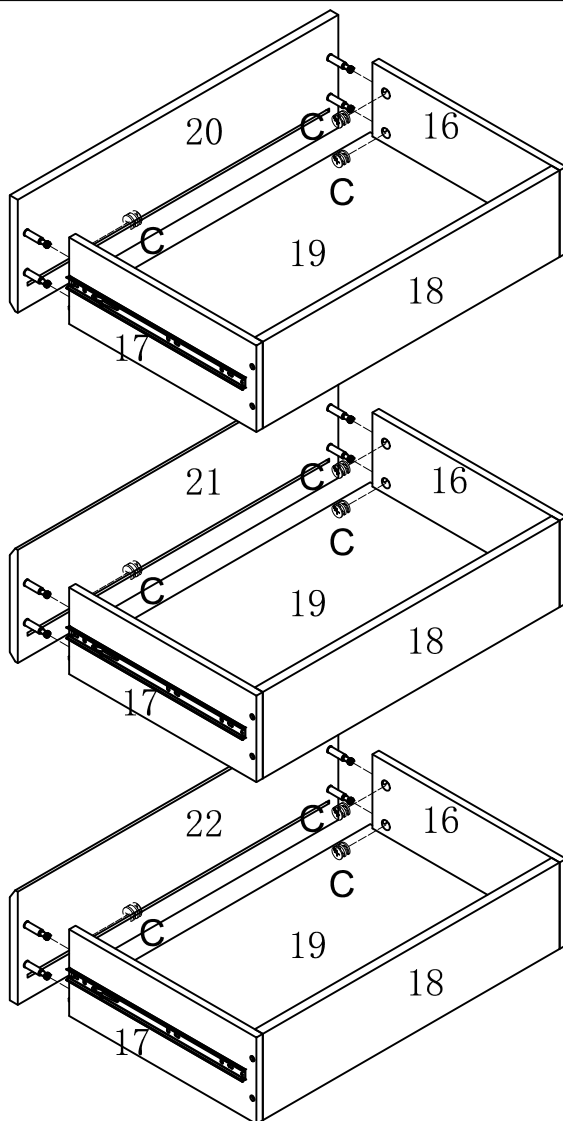
Secure screw (F) into part (12,13,14) with Philips head screwdriver as per diagram.

Step 11



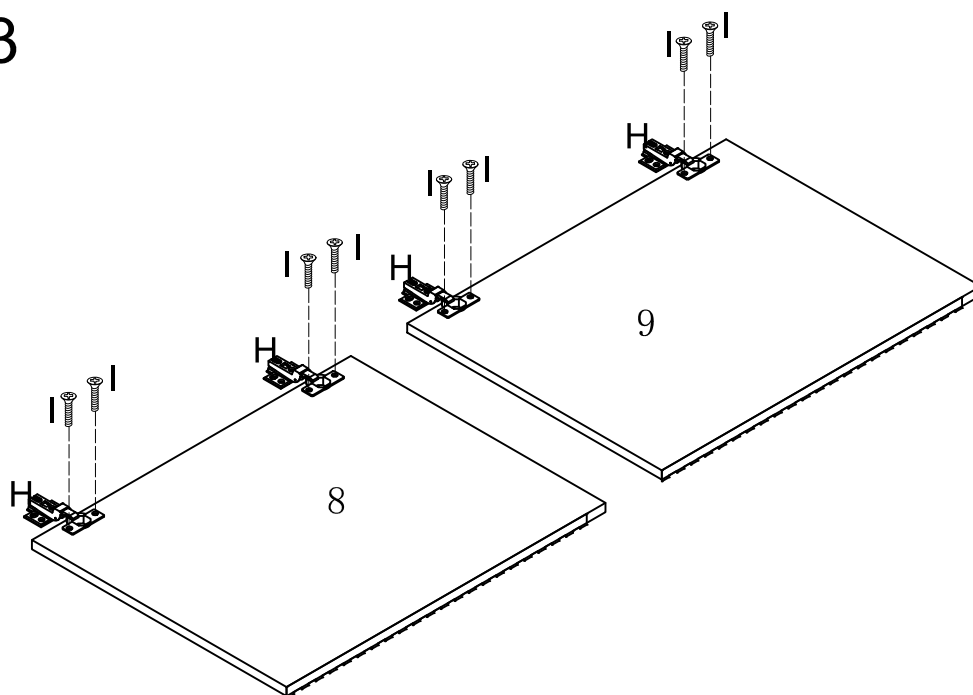
Secure part (16,17) to part (18) by using screw (O) with Philips head screwdriver as per diagram. Slide drawer bottom panel (19) into grooves as per diagram, repeat this step.

Step 12



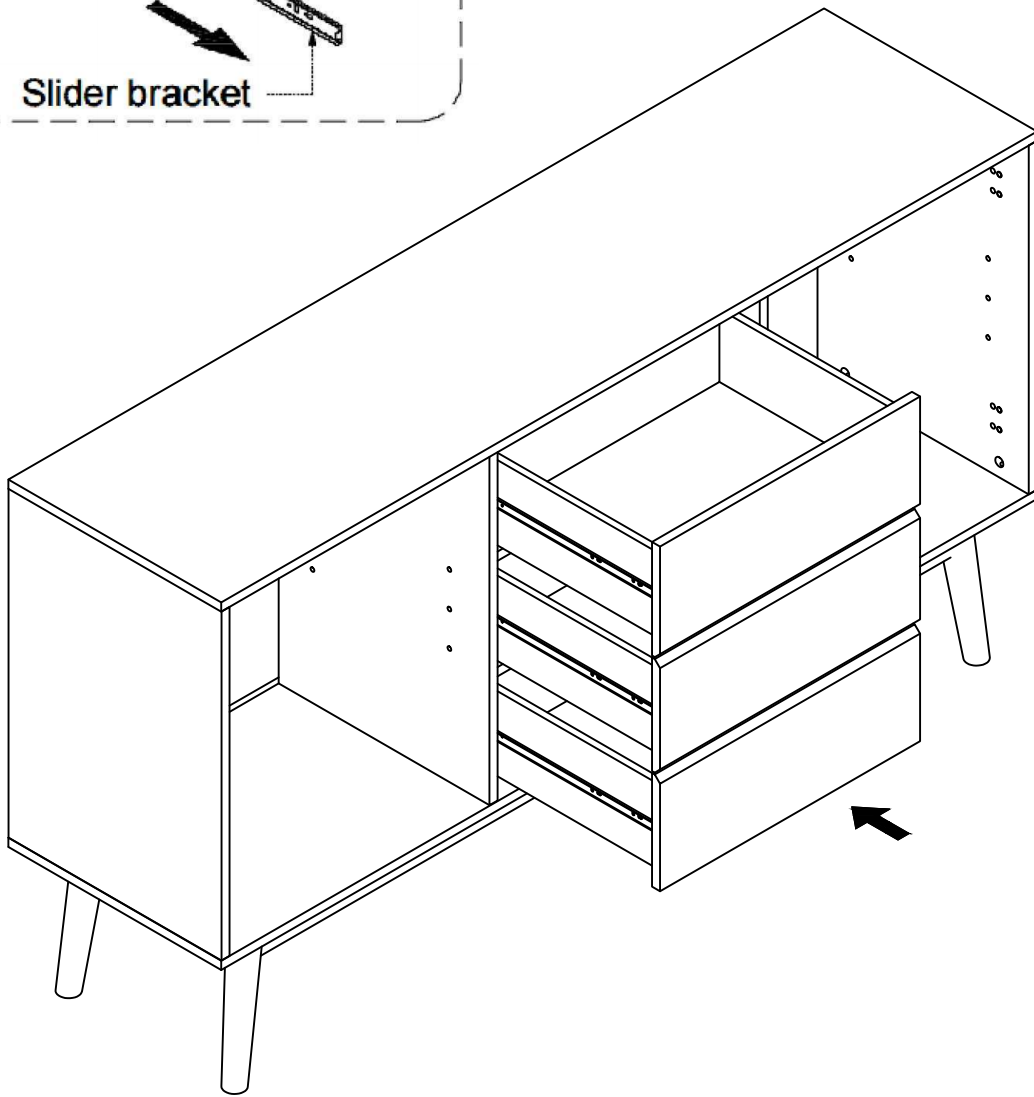
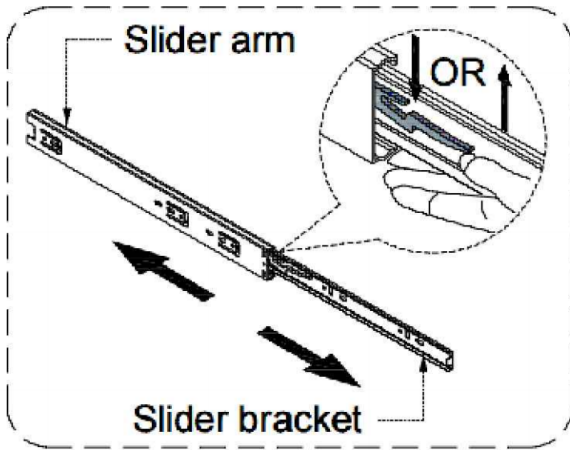
Using cam lock (C) secure part (20,21,22) to the assembly with Philips head screwdriver as per diagram.

Step 13



Use bolt (I) attach hinges (H) into doors (8,9) with Philips head screwdriver as per diagram.

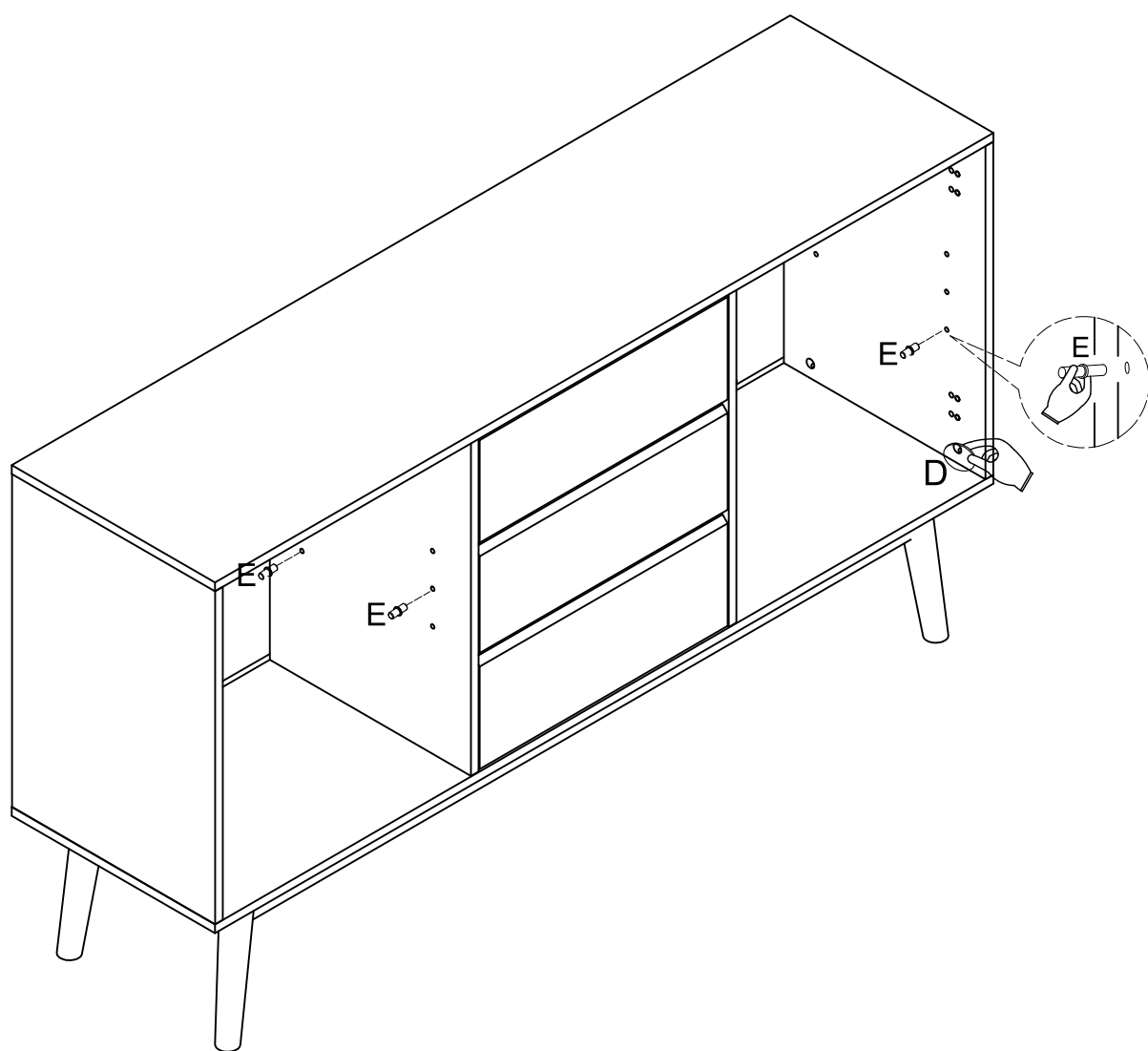
Step 14



Insert the assembled drawers to the console carefully, extend the Ball Bearing Slide Tracks on the pedestal Side Panel all the way forward. Then align the Slide Runners on the assembled drawers with the Slide Tracks and push the drawer carefully inside until it stops.

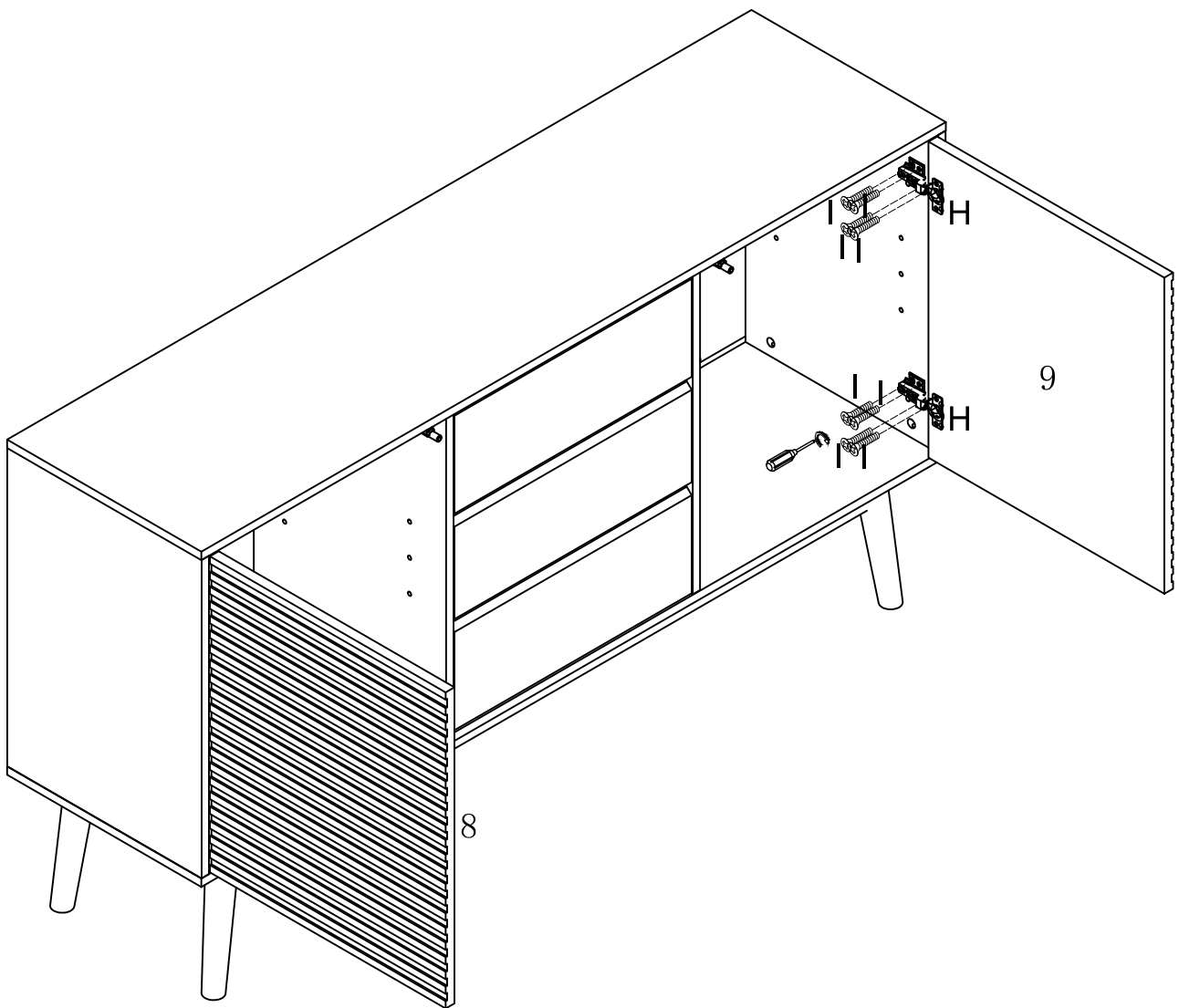
Note: if the drawer does not go in smoothly, please take it out and repeat the step. If you need to remove the drawer, please pull the drawer all the way out, press or lift the plastic release lever and pull out the drawer and then re-assembled the drawer until it was going in smoothly

Step 15



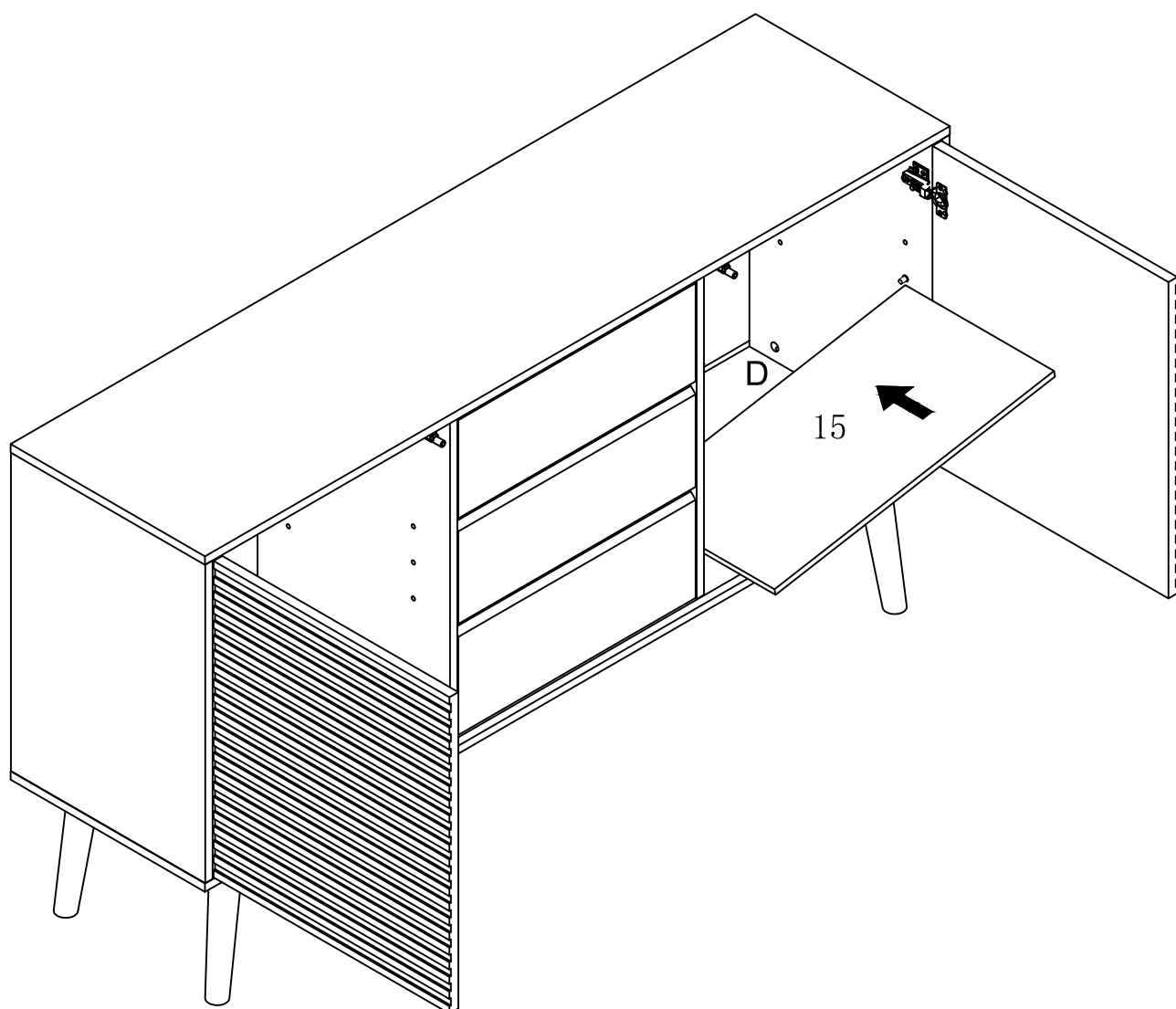
Place sticker (D) cover the holes. Insert the shelf support pin (E) to the side panels at desired shelf heights.

Step 16



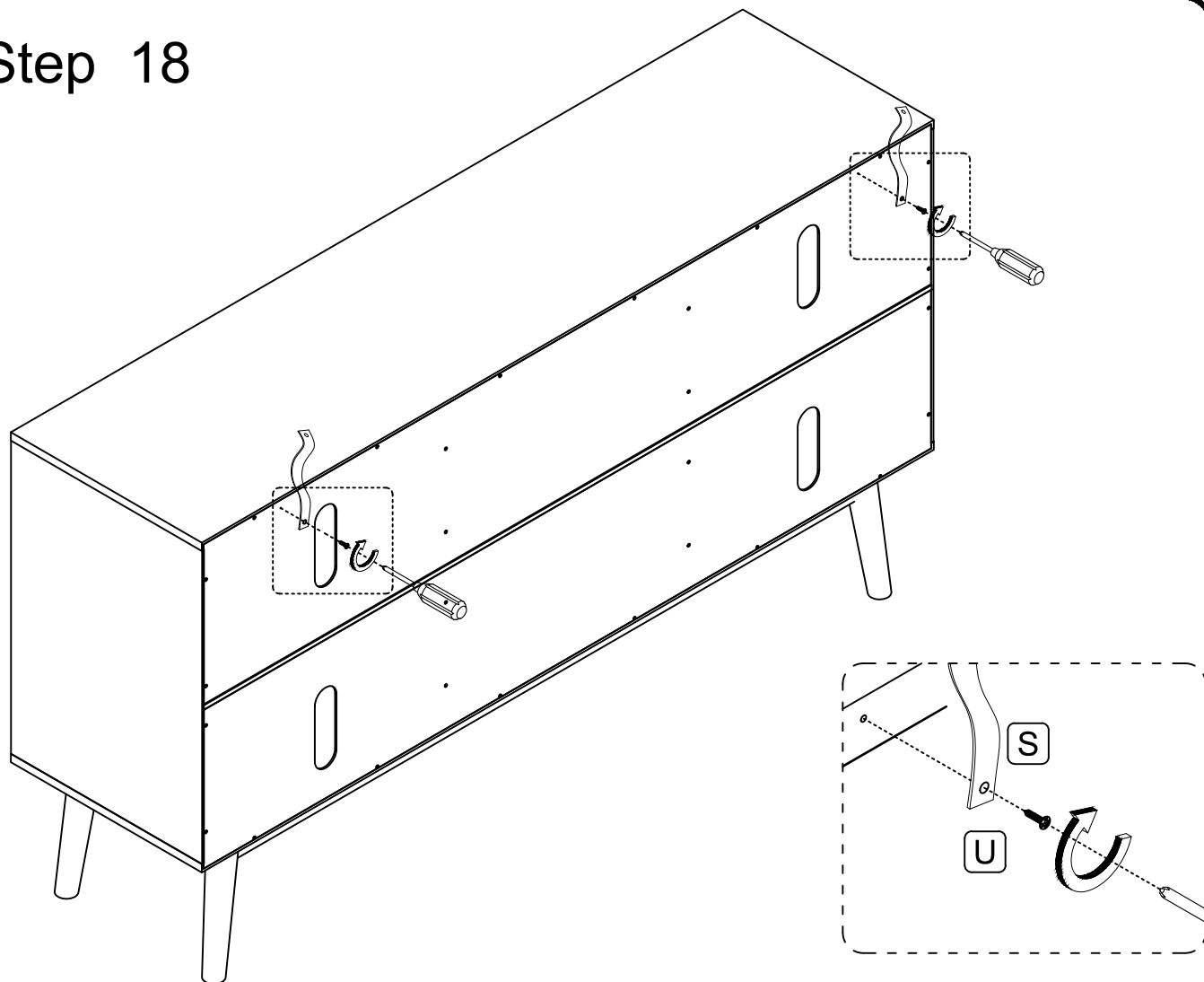
Use bolt (I) attach hinges (H) into doors (8,9) with Philips head screwdriver as per diagram.

Step 17



Carefully place shelves (15) on shelf support pins.

Step 18

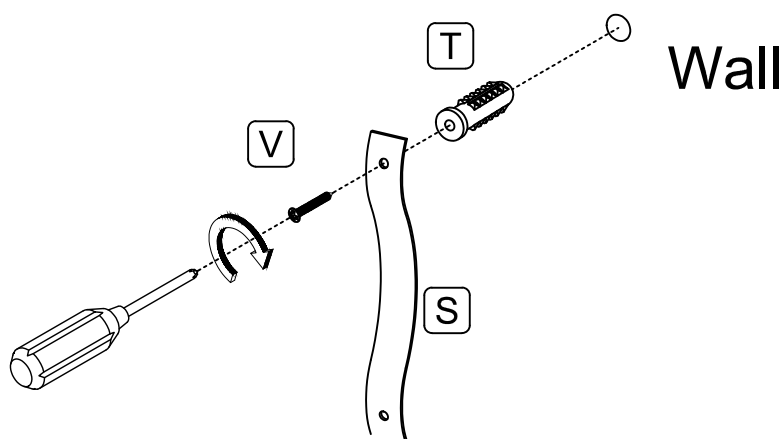


Using screw (U) attach strap (S) to part (12) with Philips head screwdriver as per diagram. Take out the wooden panel of the faux cable holes if necessary.

Step 19

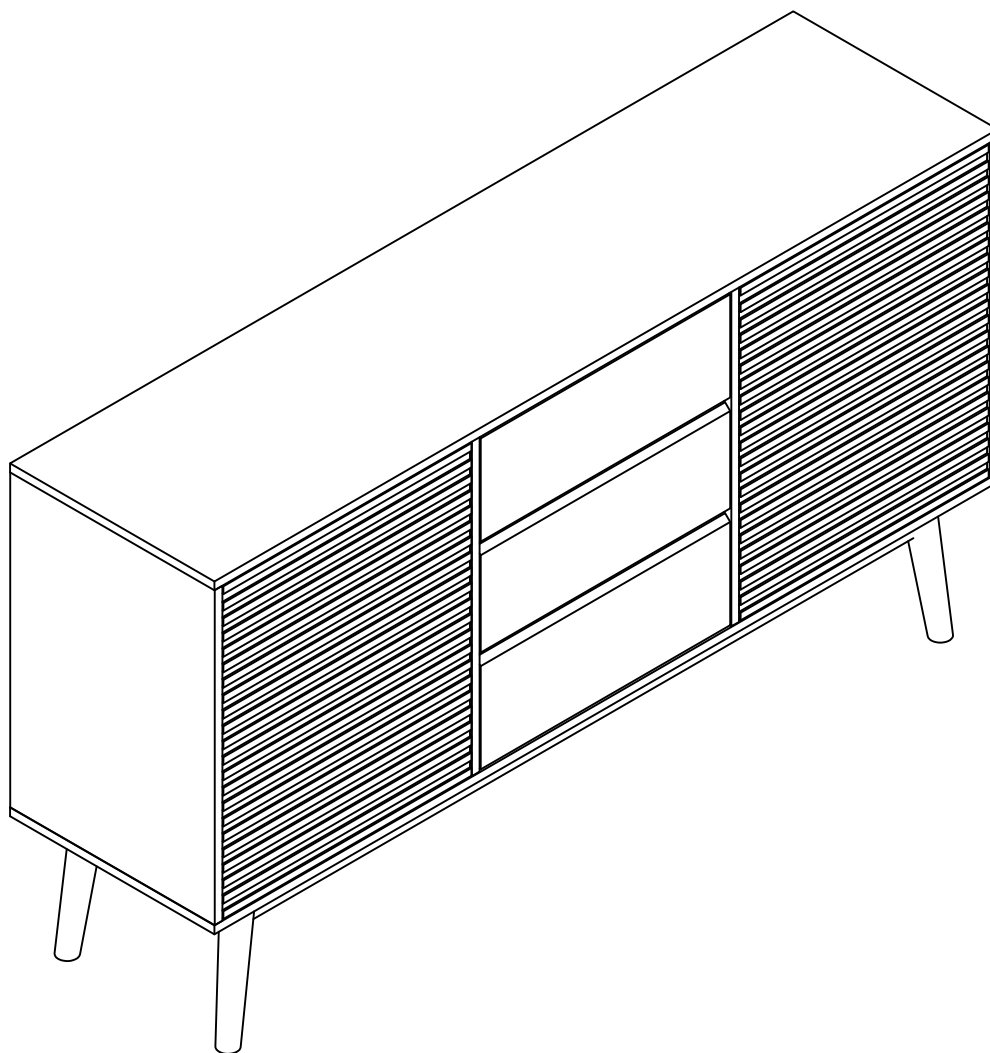
WARNING

Serious or fatal injuries can occur from furniture tipping over. To prevent the furniture from tipping over we recommend that it is permanently fixed to the wall. Wall anchor and hardware are included with this product. Please make sure hardware is suitable for your walls before installing, as different wall materials may require different types of anchors.



Using screw (V) attach strap (S) into nut (T) to wall with Philips head screwdriver as per diagram.

Step 20



Final Assembly

WARNING

DO NOT use outdoor

DO NOT exceed weight limit

DO NOT use this item unless all fixings are secured.

DO NOT push the item as this will damage the base.

The unit must be handled by at least 2 persons when moving in the same or adjacent rooms.

Before moving the unit, make sure to remove any object that is heavy or might fall off. Please note that lifting from the tabletop with too much weight on the product might lead to part damage/separation.

When lifting the unit, use both hands and bend your knees, not your backs.

When transporting the unit to places far away, protect and secure the unit to avoid damage in transit.

DO NOT expose the surfaces to direct sunlight or to extreme environmental conditions. Damages caused by this kind of exposure is not covered by the product's warranty.

DO NOT leave spilled liquid in the cabinet

DO NOT place hot or cold items directly onto the surface of the item as marking will occur.

Clean the surfaces preferable with a clean cloth damped in a solution of mild soap and water, then dry with a clean towel.