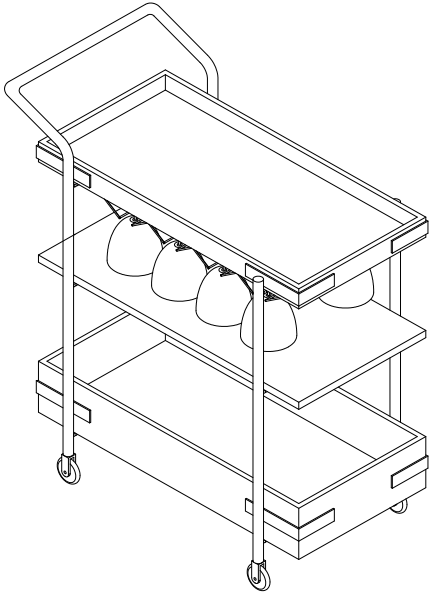


ASSEMBLY INSTRUCTIONS


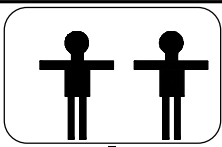
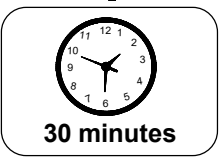
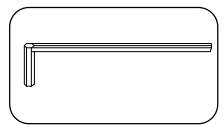
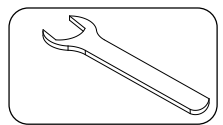
BAR CART



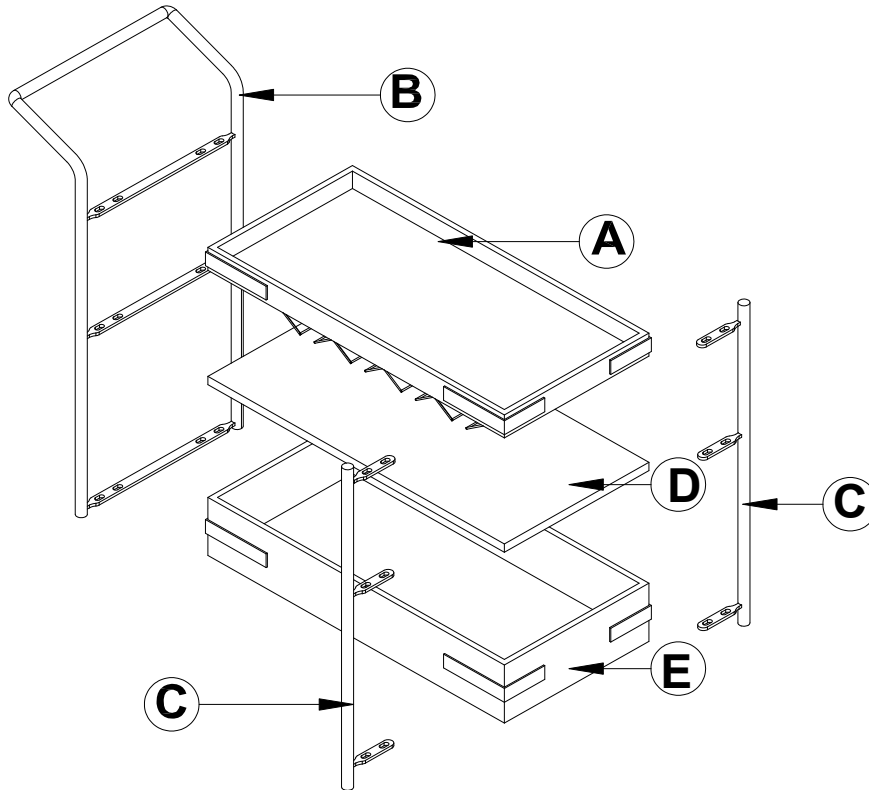
REPLACEMENT PARTS

Please do not contact the company purchased from as we can help you faster.

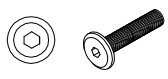
Order replacement parts and hardware at "boltonfurniture.com"


 <p>. Use of power tool to assemble this product will invalidate any claim and damage this product making it unsafe!!! . Please assemble on a clean soft surface to avoid damage.</p>	 <p>+</p>  <p>30 minutes</p>	<p><u>Tool Included</u></p>  
--	---	---


Part List-Bar Cart

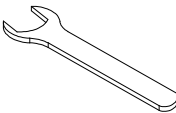


Identifying the hardware-Identify the hardware using the illustrations below.

F  **24**
M6X15mm

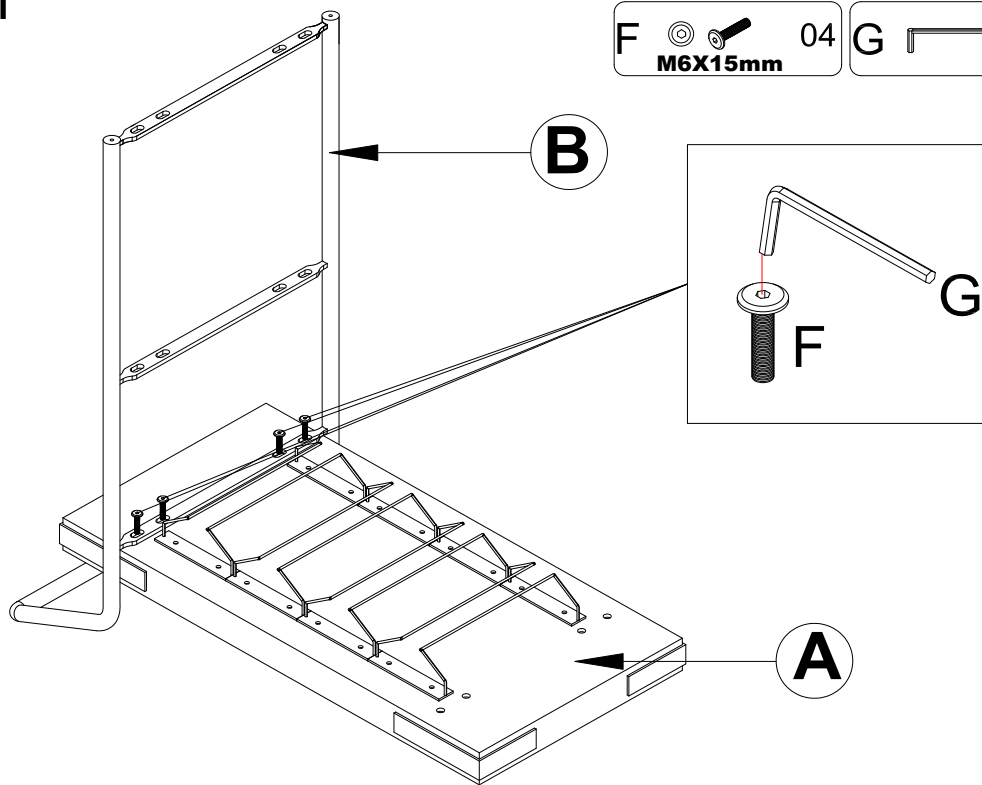
G  **01**

H  **04**

I  **01**

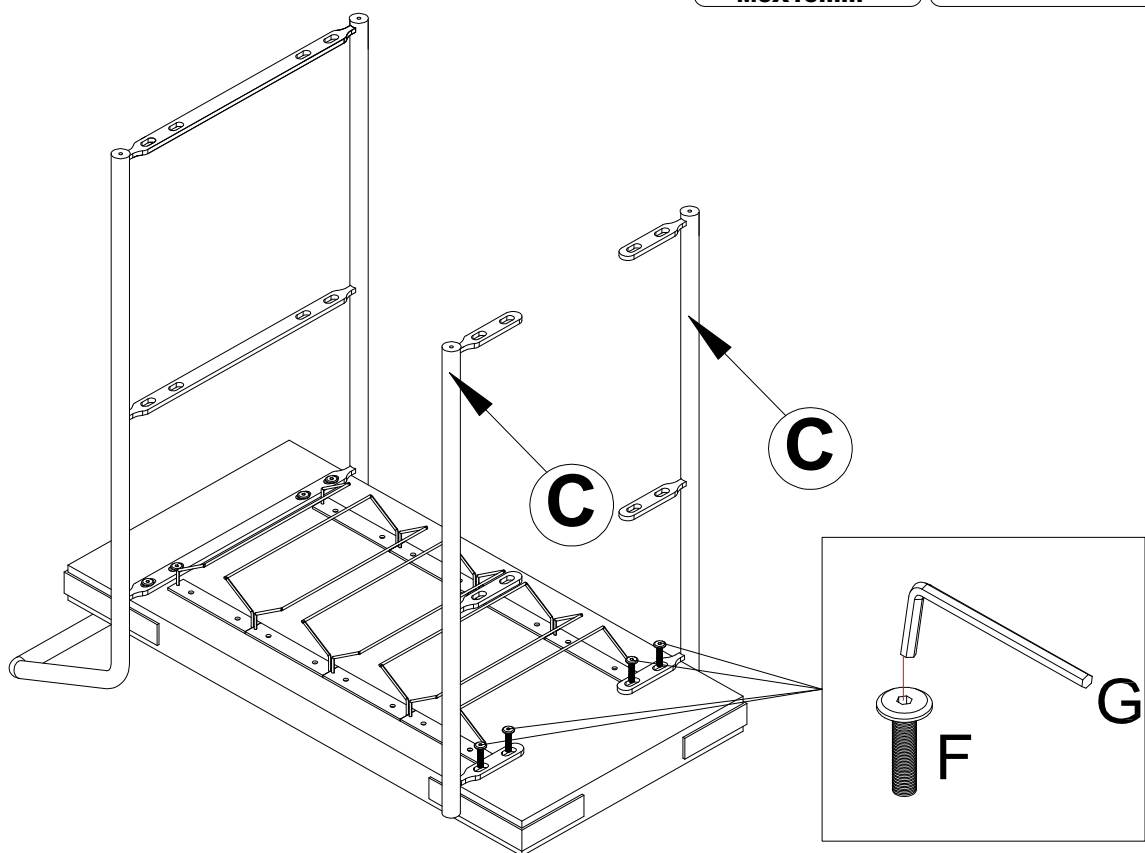
STEP 1

F  04 M6X15mm G  01



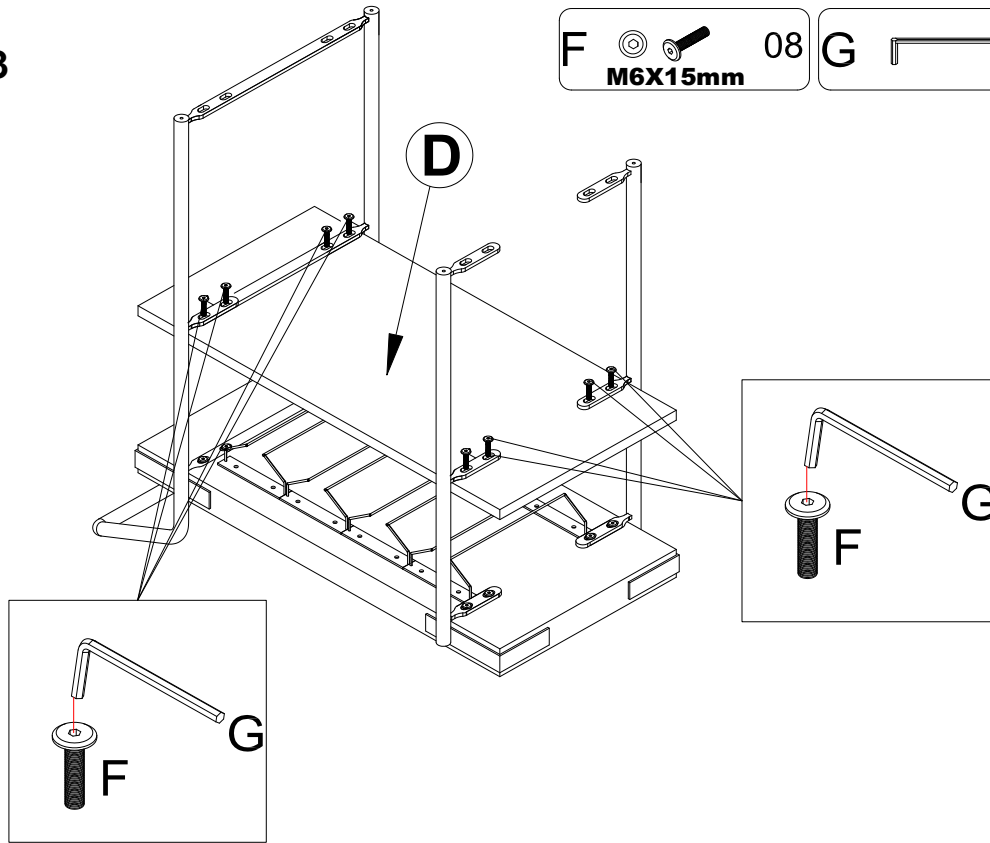
STEP 2

F  04 M6X15mm G  01



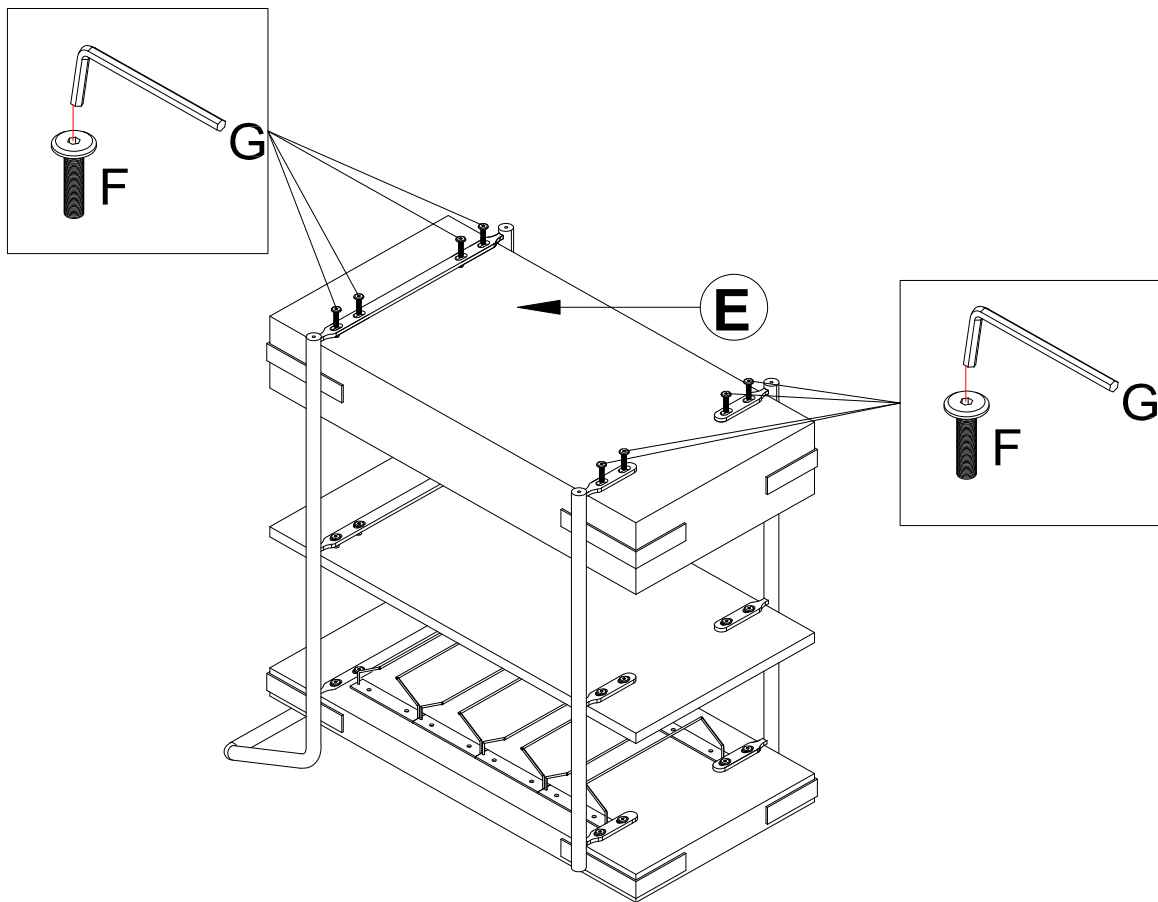
STEP 3

F  08 M6X15mm G  01



STEP 4

F  08 M6X15mm G  01



STEP 5

H 04

I 01

