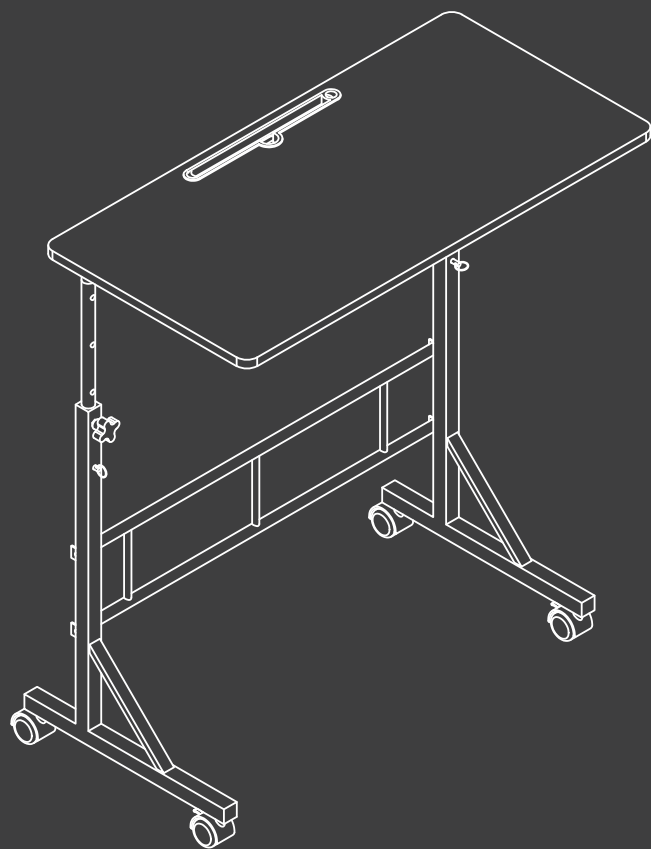
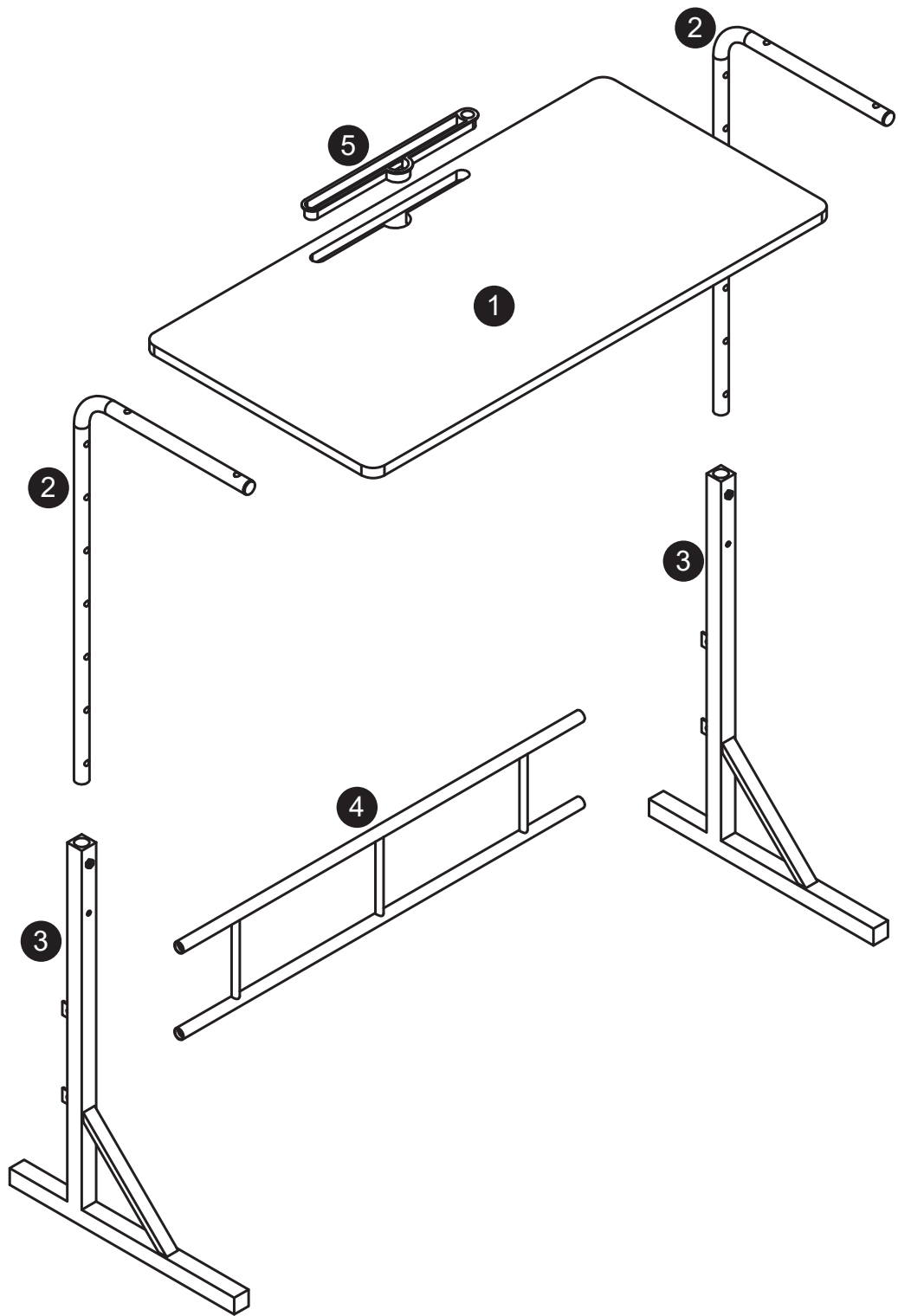


**Standing Desk**  
Instruction Manual  
**Escritorio de Pie**  
**(altura regulable)**  
Manual de Instrucciones  
**Bureau Debout**  
Manuel d'Instruction



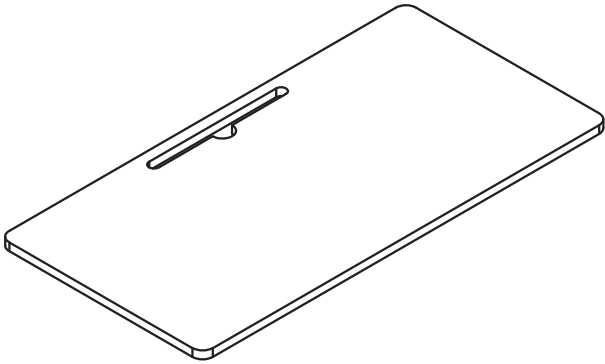


# PARTS LIST

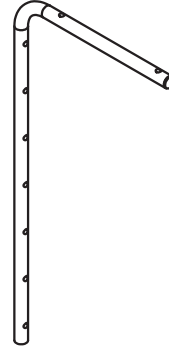
## LISTA DE PIEZAS

## LISTE DES PIÈCES

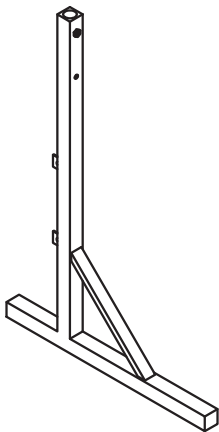
---



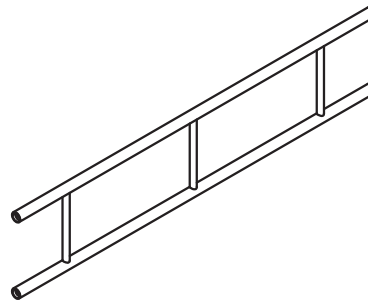
1 x1



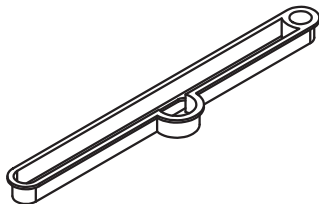
2 x2



3 x2



4 x1



5 x1

# HARDWARE

## HERRAJES

### ARTICLES DE QUINCAILLERIE

---



M6x28 mm

**A** x4



M6x15 mm

**B** x4



**C** x2



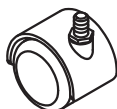
**D** x2



**E** x1



**F** x1



**G** x2



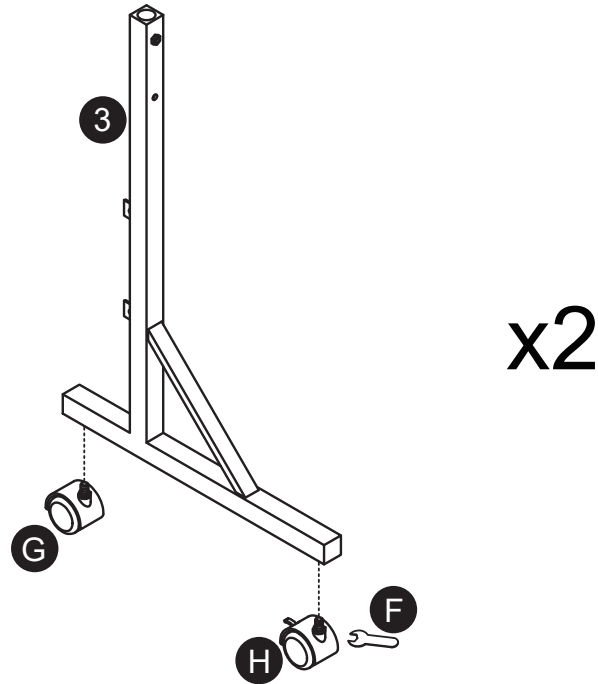
**H** x2

# ASSEMBLY INSTRUCTION

# INSTRUCCIONES DE MONTAJE

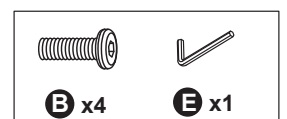
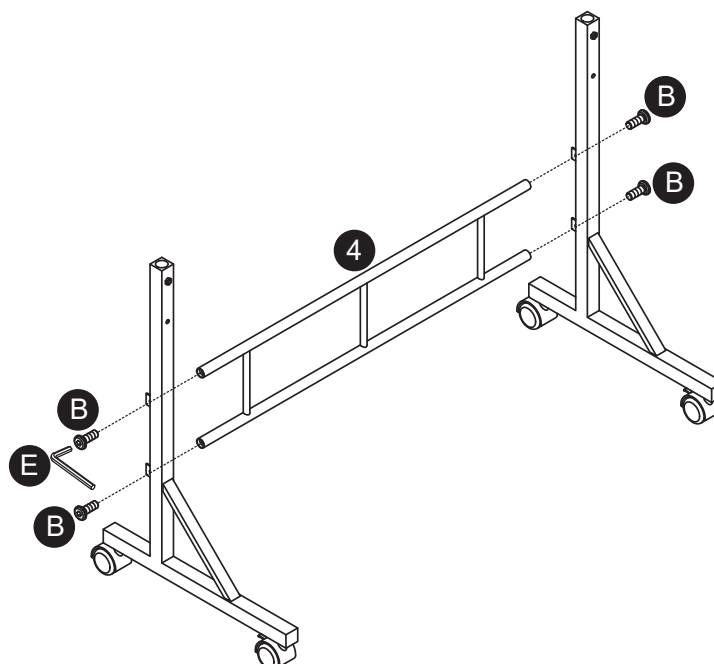
# INSTRUCTIONS DE MONTAGE

## Step 1

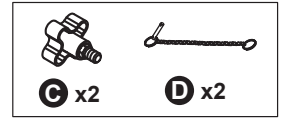
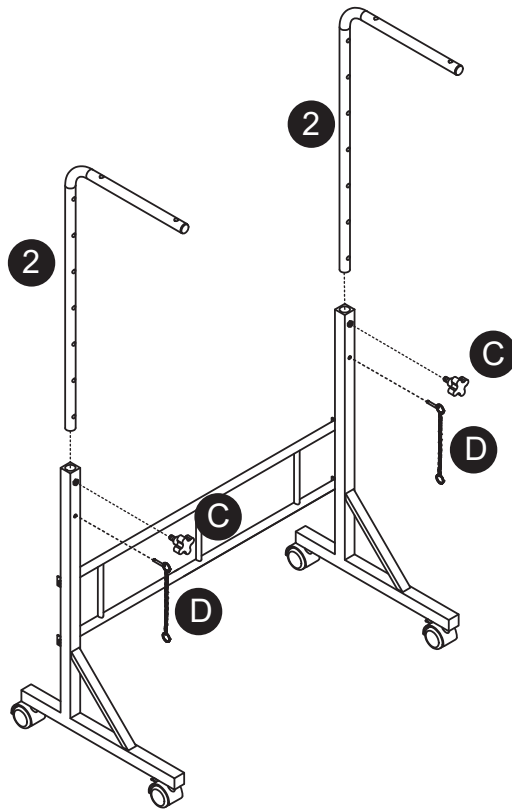


Note: Wheels H are equipped with brakes.  
Nota: Las ruedas H están equipadas con frenos.  
Attention : Les roues H sont équipées de freins.

## Step 2

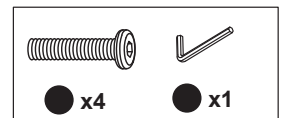
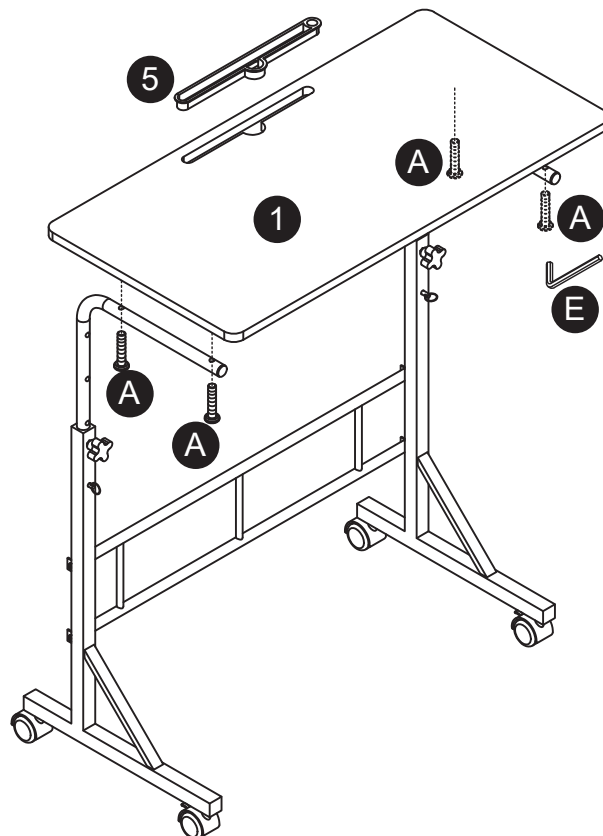


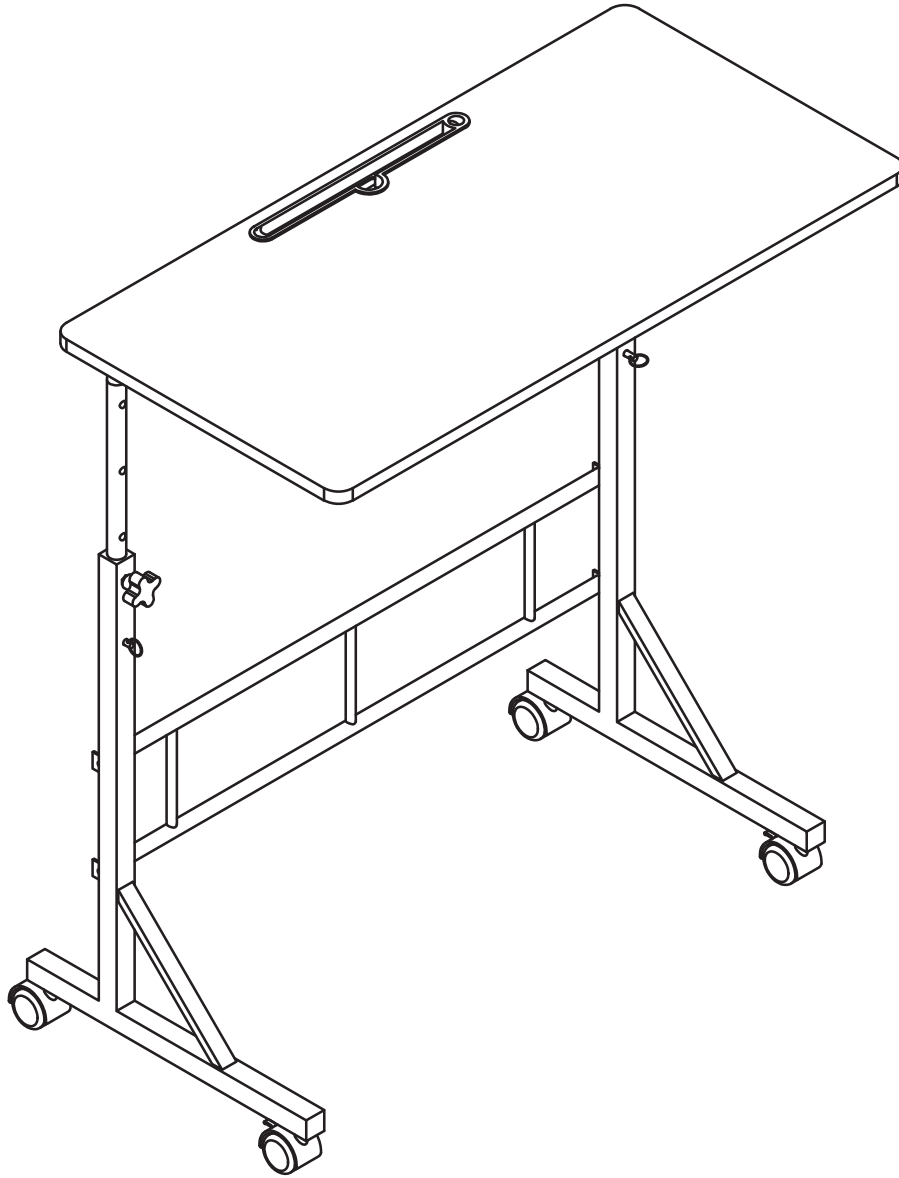
# Step 3



Note: Choose your desired height.  
Nota: Elija la altura deseada.  
Attention : Choisissez la hauteur souhaitée.

# Step 4





Thank you for choosing this product. We strive to provide you with the best quality products and service in the industry. Should you have any issues, please don't hesitate to contact us.