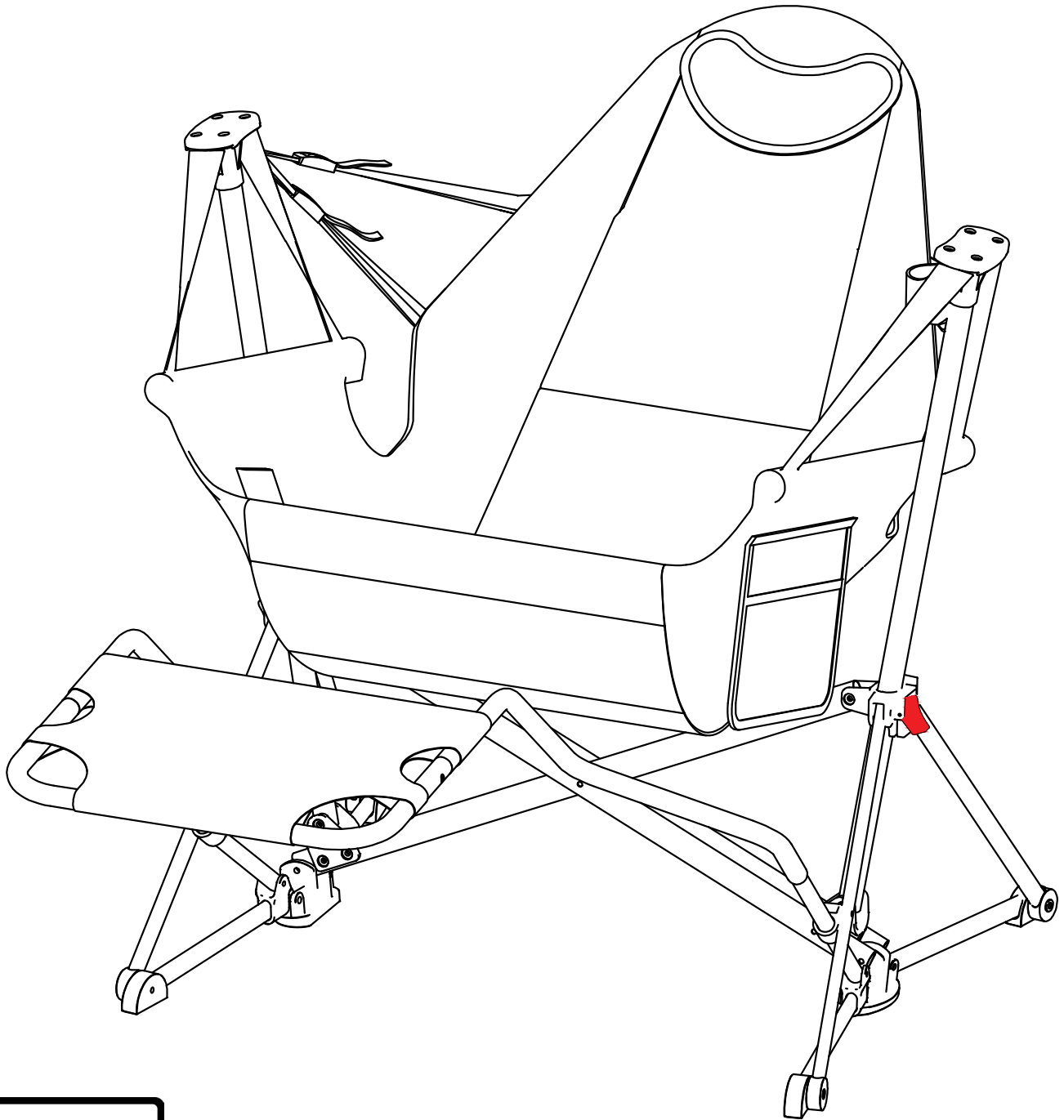


Instruction of Hammock Chair



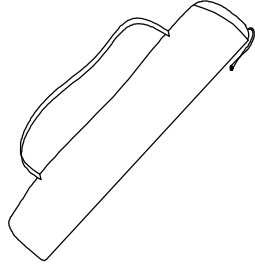
 Scan Me

Scan to watch install video

Contact email
Service-outdoor@hotmail.com

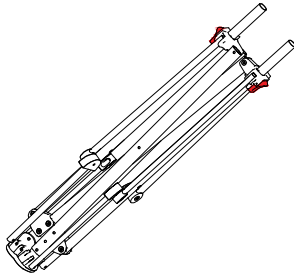
PACKING LIST

A



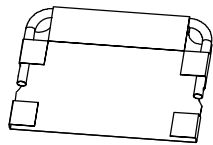
Hand Bag

B



Frame

C



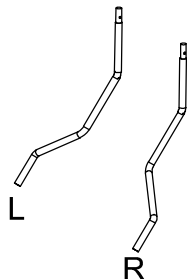
Footrest

D



Hammock Chair

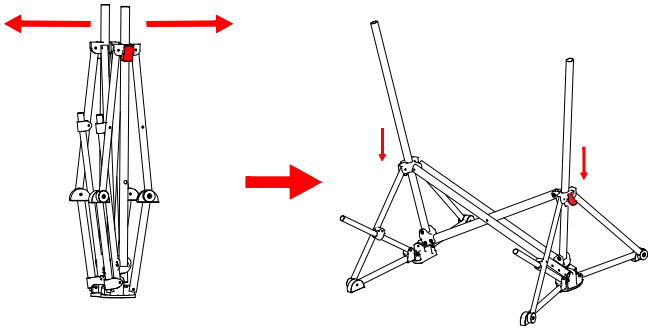
E



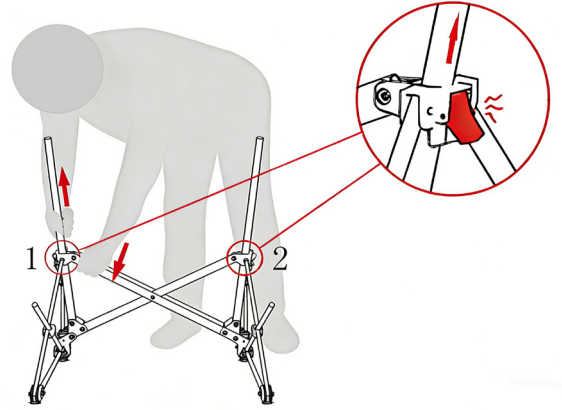
Footrest Tube

HOW TO INSTALL

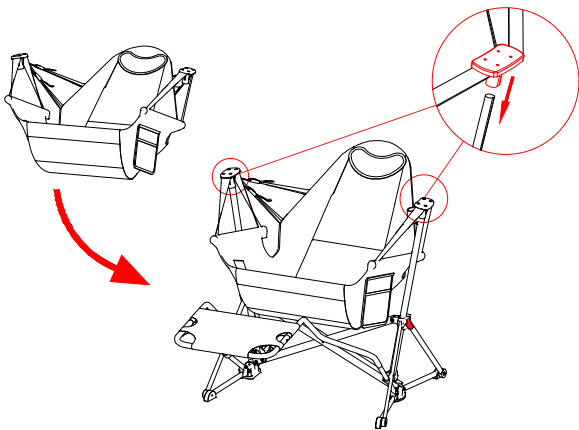
① Take the hammock frame out of the bag, stand it upright, then pull the top poles of the frame in opposite directions as shown in the picture. Hold the long pole with one hand, and push the lock downward with the other.



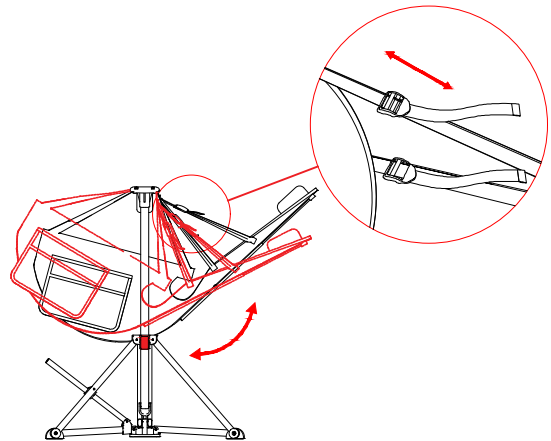
② Make sure BOTH LATCHES on the chair stand are fully locked. Position the red buckles as shown, or until you hear a click.



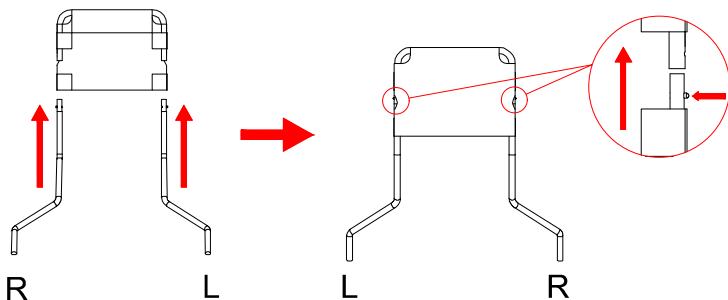
③ Take the hammock chair from the hand bag, then put it on the top of the poles make sure all are in correct places.



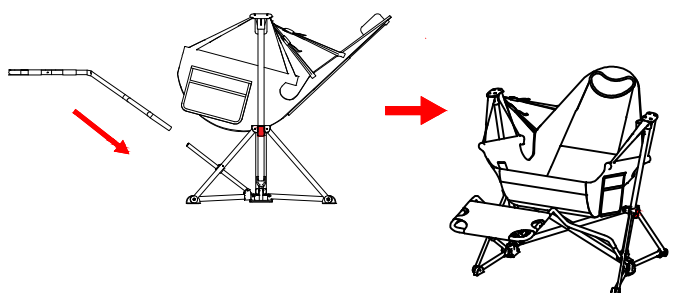
④ The four buckles on the straps of the chair can be adjusted to meet different needs



⑤ Take out the footrest and tubes from hand bag, make sure all the parts are complete as the pics show, insert both sides of tubes into the footrest as the pics show, pls make sure each tube is on the right place.

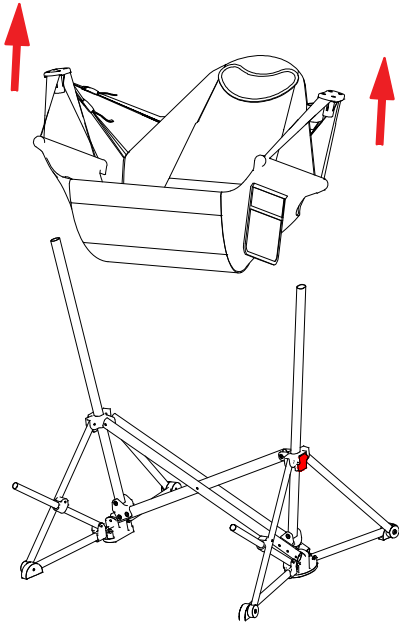


⑥ Finally, insert the footrest in the two sides of hammock chair as the pics show.

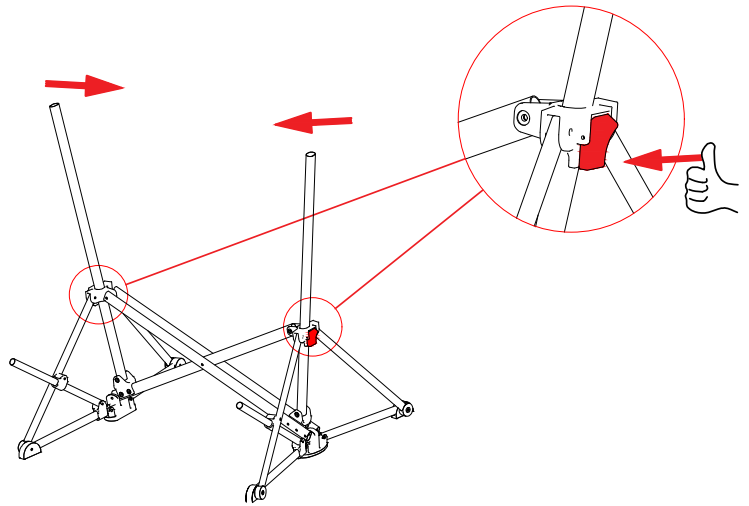


HOW TO PACK IT INTO THE BAG

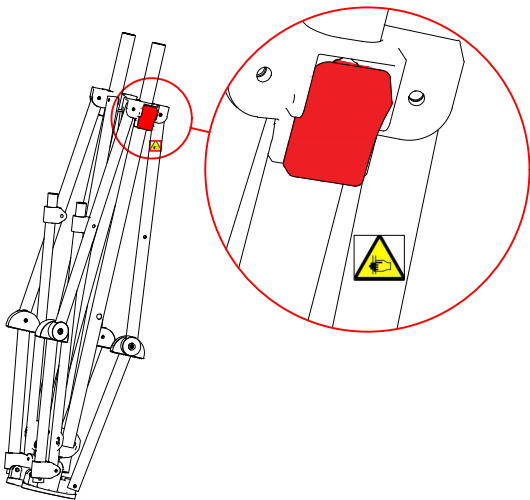
① Remove the cradle chair, fold and pack it into the box.



② Press the button to fold the chair frame.



③ **Warning:** Beware of pinching your fingers.



④ Put the chair frame and footrest into the bag.

