

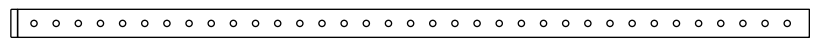
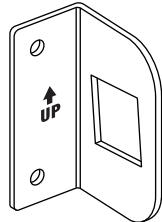
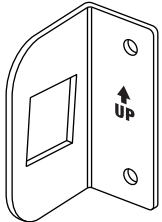
WALL MOUNTED TOOL RACK

Set Includes:

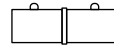
(2X) Left Wall Brackets

(2X) Right Wall Brackets

(2X) 36 inch Bars



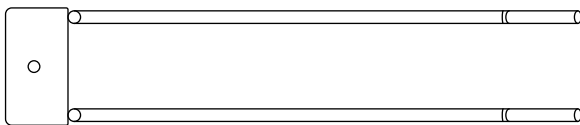
(1X) Connector Piece



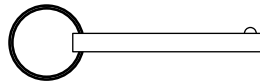
(8X) 12mm Lag Bolts and Washers



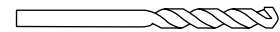
(6X) Hooks



(6X) Locking Pins



(1X) 3/32" Drill Bit



Read Before Use: Warning!

The rack has a 300 lb weight limit (50 lbs per hook). Do not exceed the weight limit. User is responsible for adhering to the weight limit and for proper installation. The weight limit depends on proper installation using all included hardware into secure full strength studs. If unsure about stud location or quality, contact a contractor for installation.

What you Need: (not included)

- Power Drill
- Socket Wrench
- Level
- Tape Measure
- Pencil
- Safety Glasses
- Stud Finder
- Step Ladder
- Safety Gloves

⚠ WARNING

- Always exercise caution when operating power tools
- Only adults who are knowledgeable about power tools should operate any equipment during installation
- Never hang or lean on the rack
- Inspect the rack before use to ensure proper installation and re-inspect frequently to ensure mounting integrity
- Improper installation or overloading the rack could cause the rack or stored items to become dislodged resulting in property damage or serious bodily injury.

Customer Service:

If you have any questions or concerns regarding your GoSports® Wall Mounted Tool Rack, please reach out to us at Info@PlayGoSports.com and we will get back to you right away. We stand behind our products 100% and want to make sure you get the full enjoyment that you paid for.

Warranty Information: www.PlayGoSports.com/Warranty

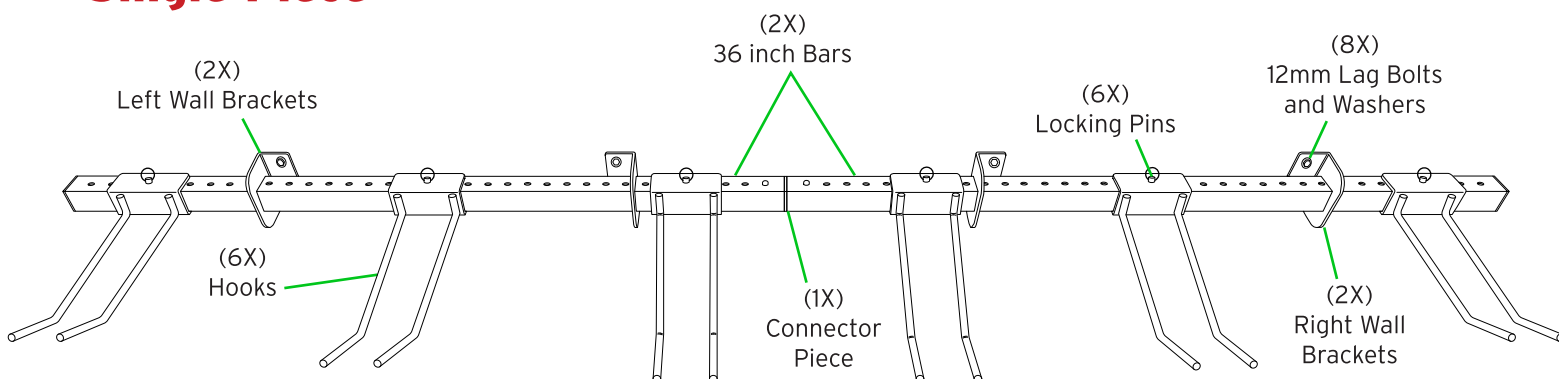
2 WAYS TO INSTALL

Stud Mount Required, Do Not Mount to Drywall

Before Installation:

- Find a suitable mounting location and choose between single piece or two piece installation
- Included hardware is for wood stud mount only, consult a professional contractor for any other installation
- Ensure the mounting locations are load bearing

Single Piece

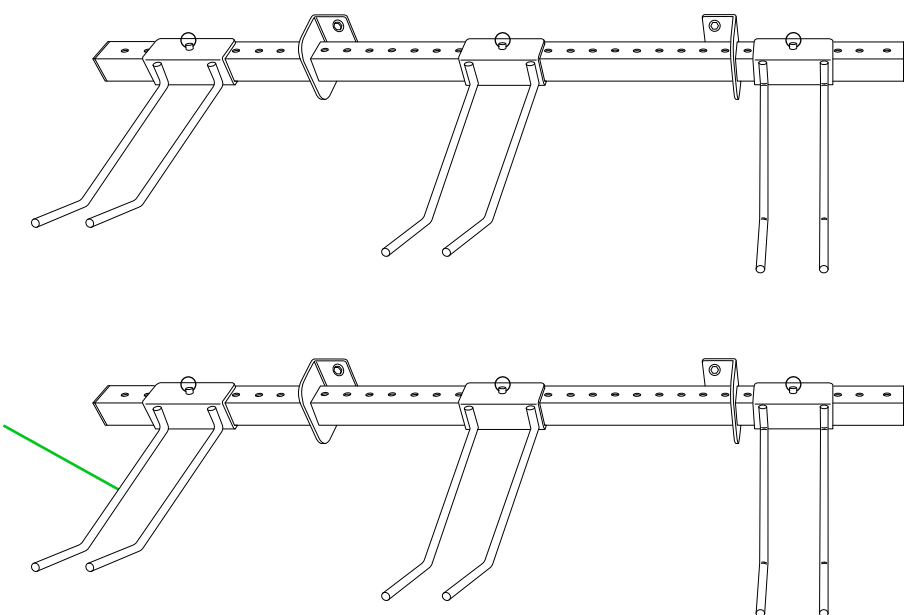


Two Piece

In the event of limited wall space or obstructions, such as a beam in the garage, two piece installation allows you to divide the rack to accommodate your available space.

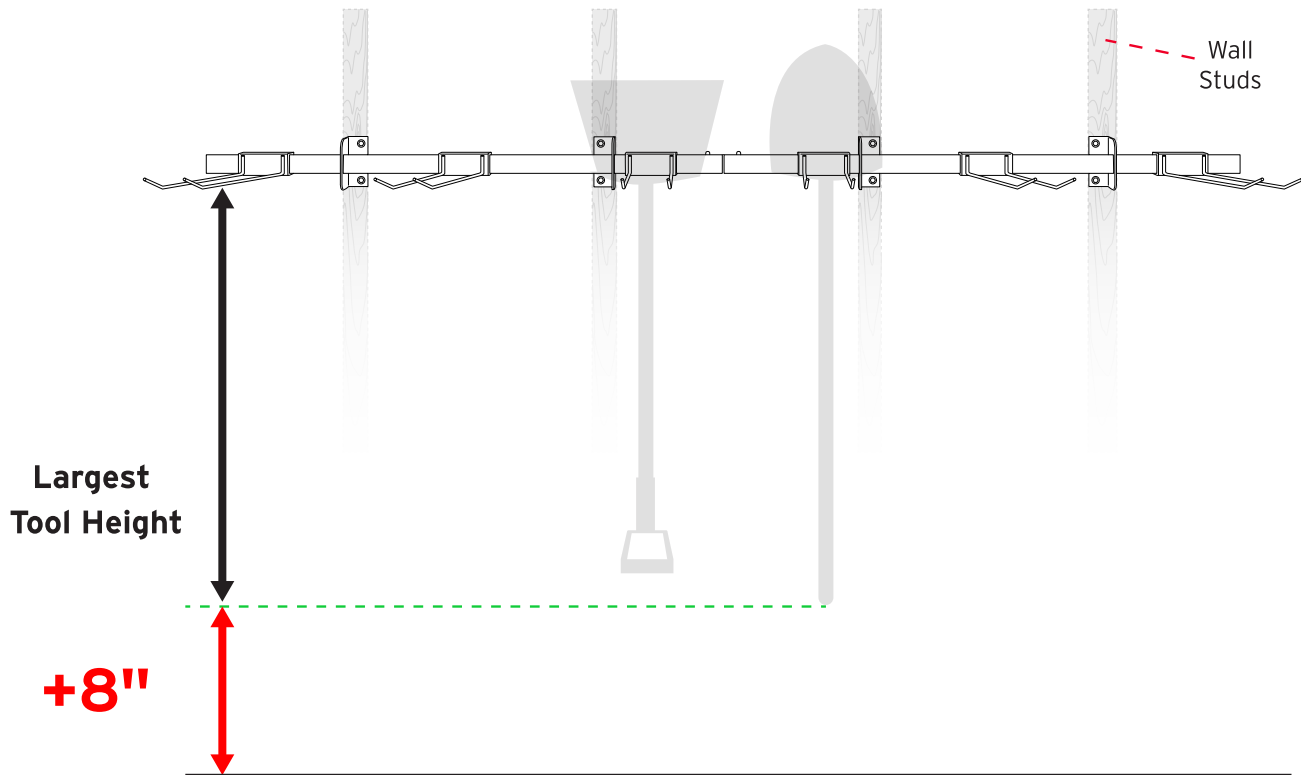
This setup also allows easier access to all your tools. Leave enough space between each rack to ensure your tools fit.

Attention: For both installation methods, one Hook must be placed on the outside of the Wall Brackets on both ends. This will keep the bars from sliding out.



Mounting Height:

To ensure there is sufficient ground clearance to hang up your tools, measure your longest tool, and add 8". Then use the total measurement to determine your mounting height for installation.

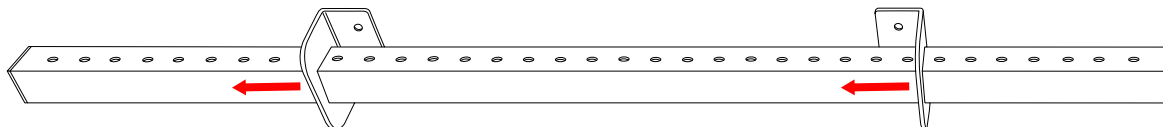


Installation:

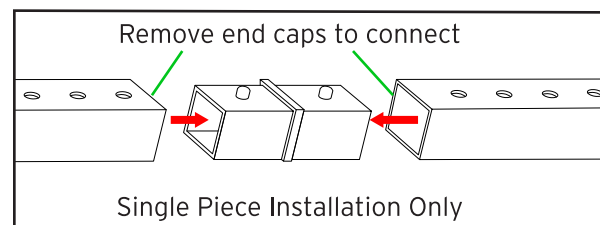
2 Person Adult Installation Required

1. Fully Assemble the Tool Rack

Slide one Left Wall Bracket and one Right Wall Bracket onto each Bar.



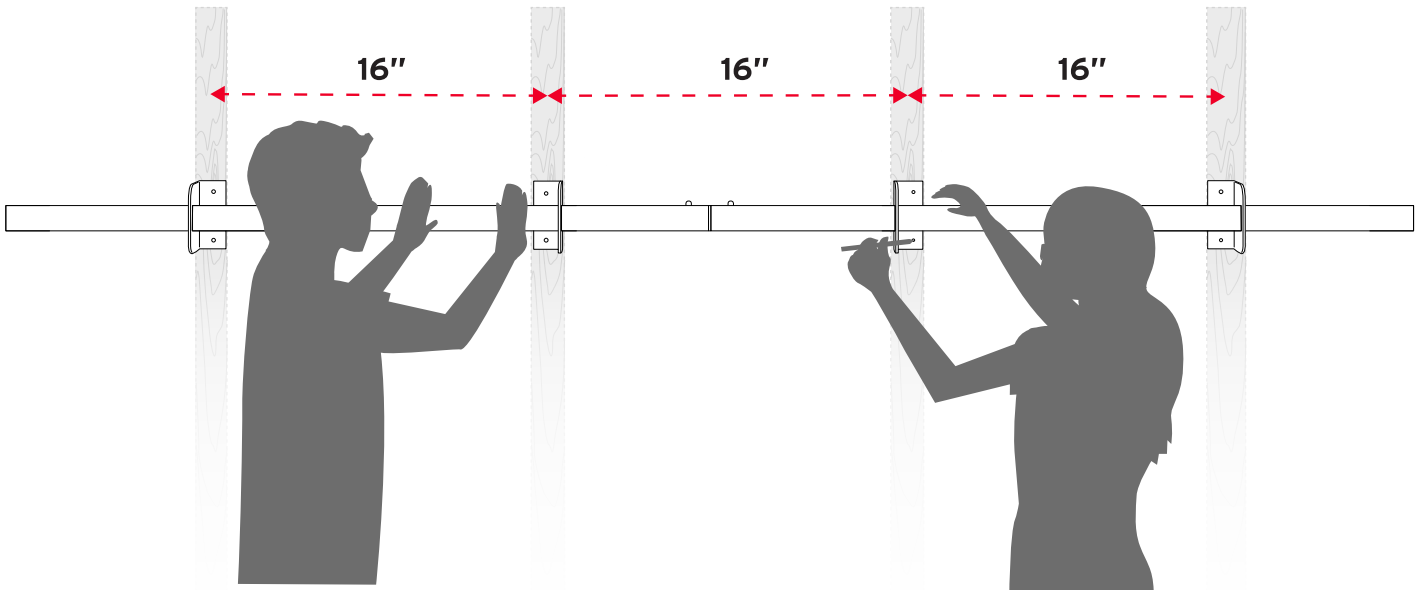
Optional: For single piece assembly, connect the two Bars by removing the end caps and using the Connector Piece.



2. Hold the Tool Rack Up to the Wall Studs

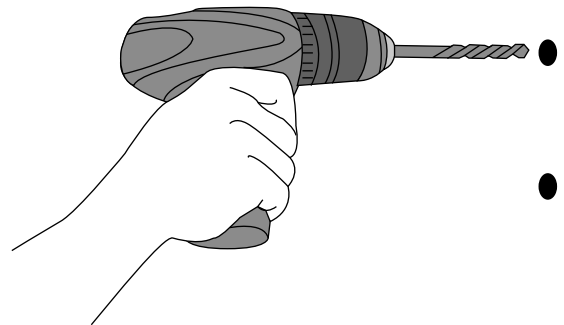
With one person holding the assembled tool rack on the wall, use a level to make sure it is straight.

Then use a stud finder to locate four wood studs behind the wall, spaced 16" apart center to center. Once you have located the studs, align each bracket to one stud and mark the mounting holes on the brackets.



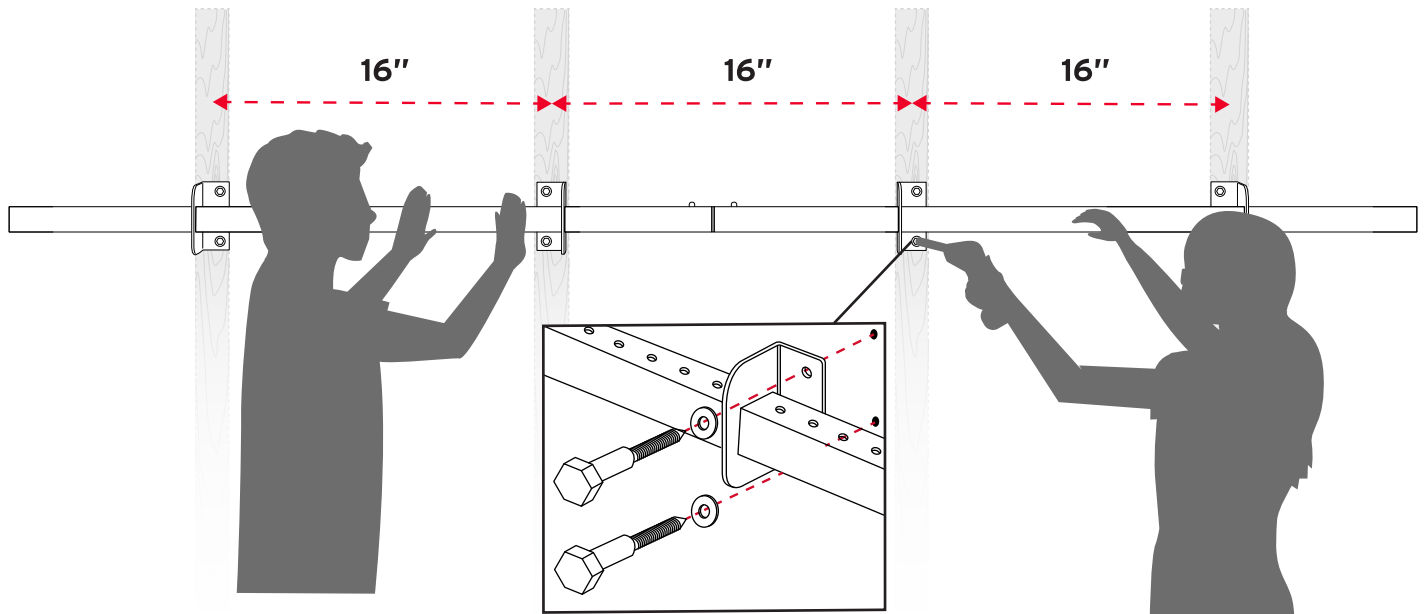
3. Pre-drill the Holes

Take the tool rack back down off the wall and use a drill with the included 3/32" drill bit to pre-drill the holes in the marked locations from the previous step.



4. Mount the Tool Rack

Have one person hold the tool rack back up onto the wall. Align all the mounting brackets with the pre-drilled holes. Then use a socket wrench to fasten the bolts and secure the bracket to the wall.



5. Attach the Hooks

To attach, place a hook on the rail and align the holes on both pieces. Then insert a Locking Pin to secure it. Adjust the spacing of the Tire Hooks as needed to best fit your stored items.

Attention: For both single piece or two piece installation, one Hook must be placed on the outside of the Wall Brackets on both ends. This will keep the bars from sliding out.

Test the strength of the rack and ensure all bolts are properly secured before storing items onto it.

