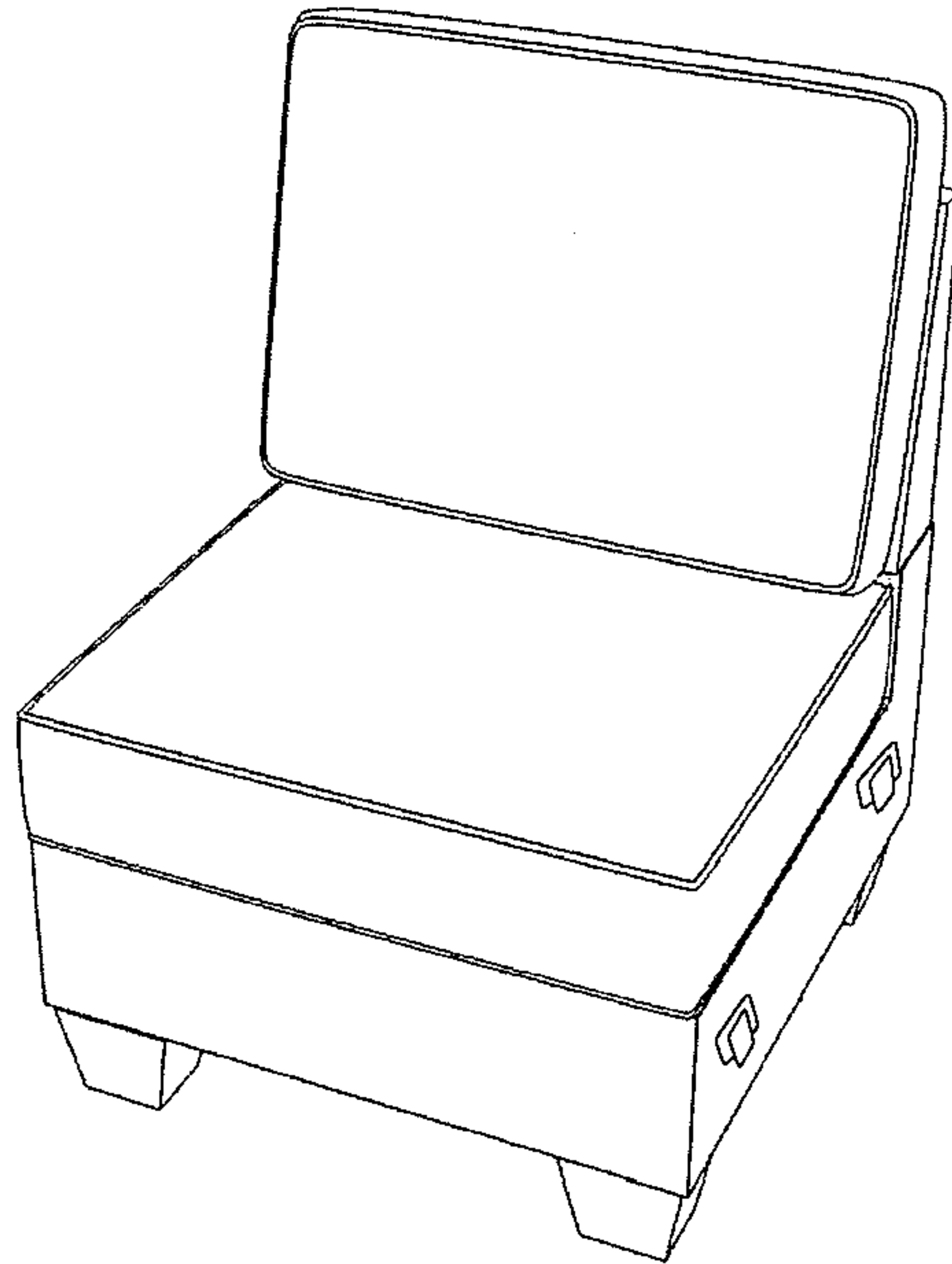
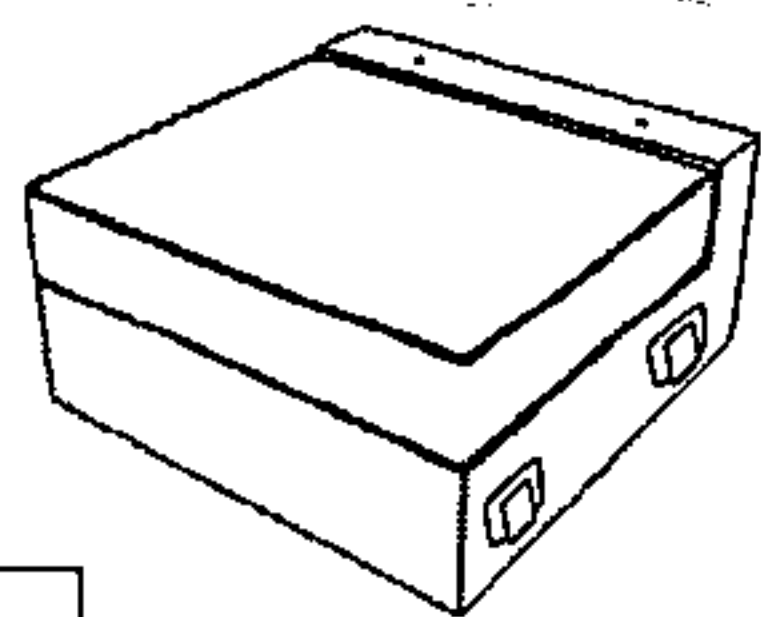


# ASSEMBLY INSTRUCTION

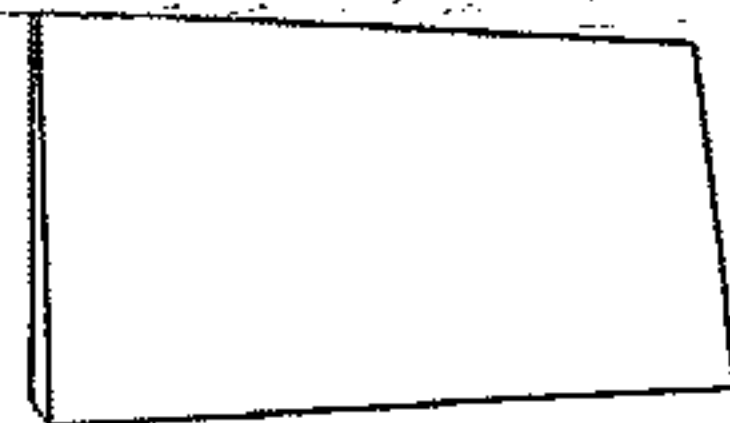


## PARTS LIST



**A**

x1



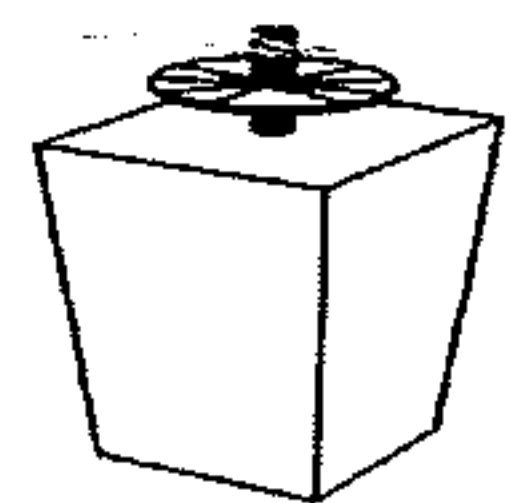
**B**

x1



**C**

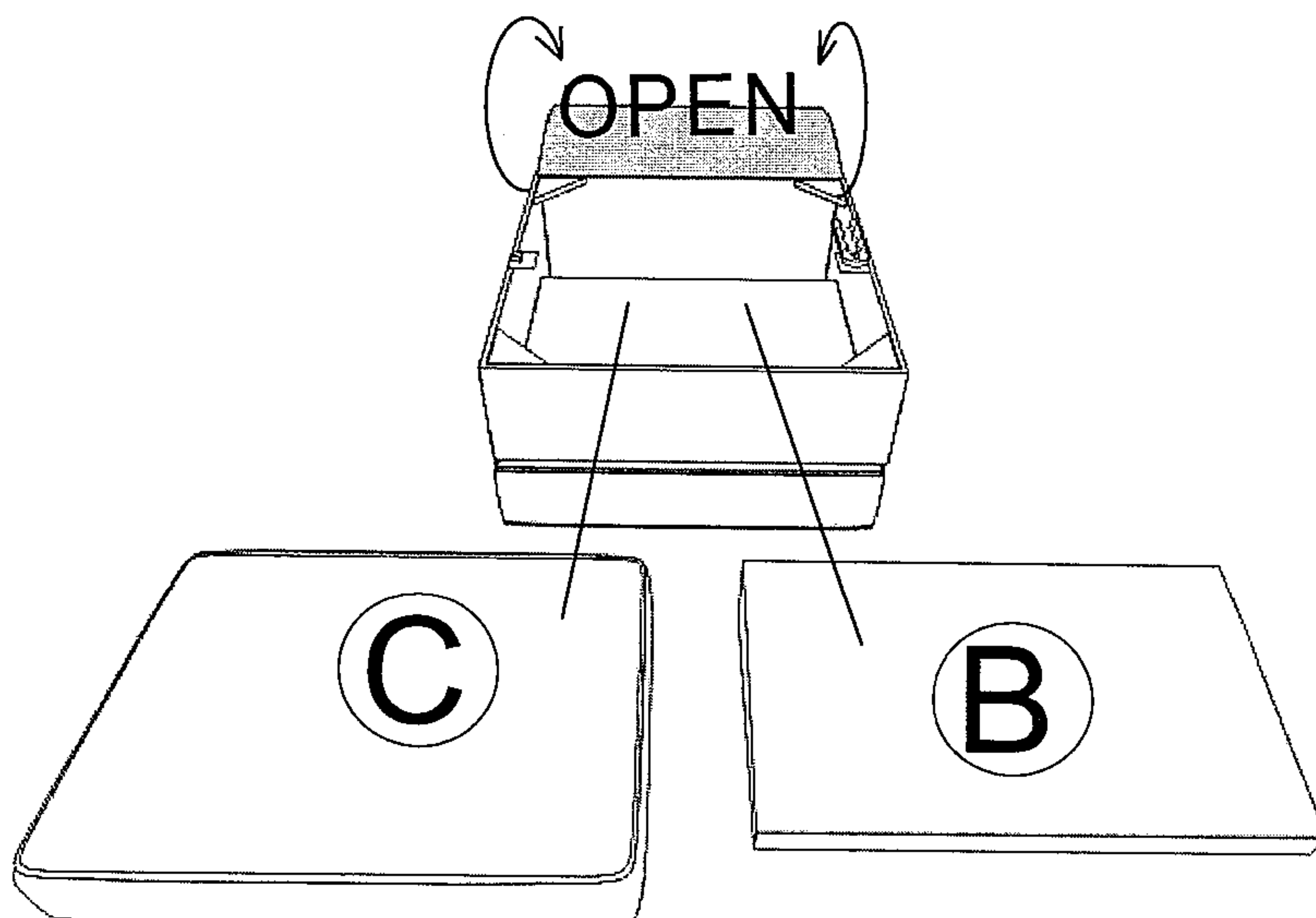
x1



**D**

Leg

x4



Step1

