



Assembly Instructions

BathingSpaces,HealingTraces



CUSTOMER CARE



**Congratulations
Happy shopping
Feel free to share with your friends or family
Thank you for your 5-star feedback and positive
reviews to help others
Good advice leads to the best service**



**We apologize for the bad shopping experience
Any defects, broken, missing pieces, delays or
accidents Please contact us as soon as possible
Amazon online email or official email are available
official@meplzian.com**

Meplzian®

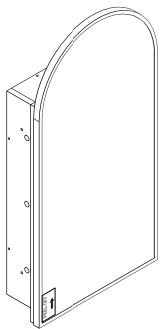
ITEM SPECIFICATION

SPU	SKU	Mirror Size	Color	Door Open Method	Installation	Assembly
MBC030	BC16803024BR	16.54*26.77 in	Brushed Black	Right Side Open	Recessed & Wall Mounted	KD, Assembly Needed
MBC030	BC16803034NR	16.54*26.77 in	Brushed Nickel	Right Side Open	Recessed & Wall Mounted	KD, Assembly Needed
MBC030	BC16803025BR	20.08*29.92 in	Brushed Black	Right Side Open	Recessed & Wall Mounted	KD, Assembly Needed
MBC030	BC16803035NR	20.08*29.92 in	Brushed Nickel	Right Side Open	Recessed & Wall Mounted	KD, Assembly Needed

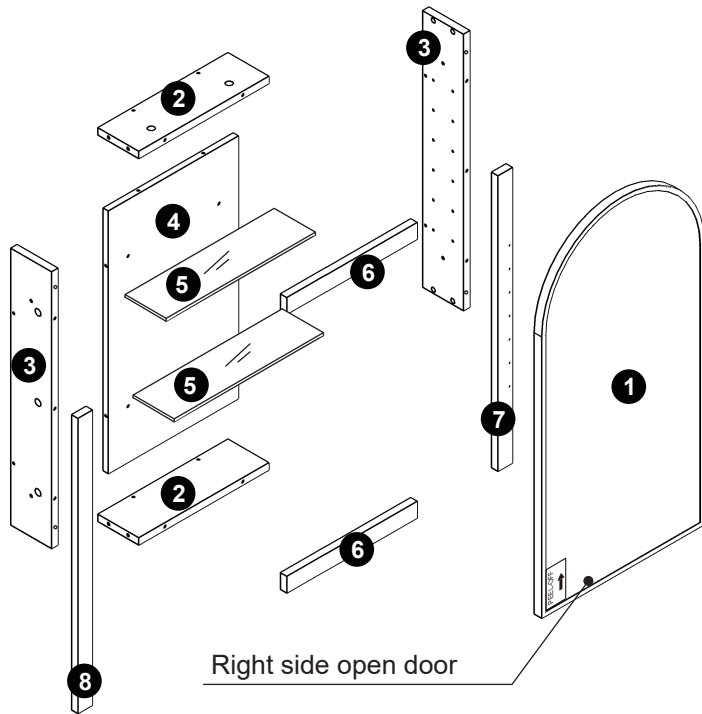
Part List



Open the package, and put the item on the mat with care.
Please install it carefully to ensure your fingers will not be scratched.



The door opens rightward



Right side open door

Hardware List

A



M6*40mm
×10 (+2)

B



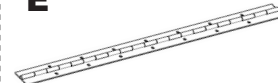
φ15*12mm
×10 (+2)

C



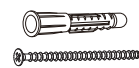
M3.5*12mm
×16 (+2)

E



×1

F



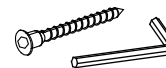
M4*60mm
×4

G



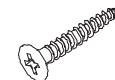
×8 (+2)

H



M5*35mm
×16

S



M4*40mm
×4

L



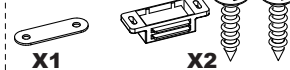
×4

T



×10 (+2)

X

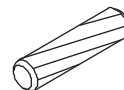


×1

×2

×1

K



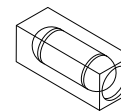
M8*40mm
×4 (+2)

Extra white cam



×2

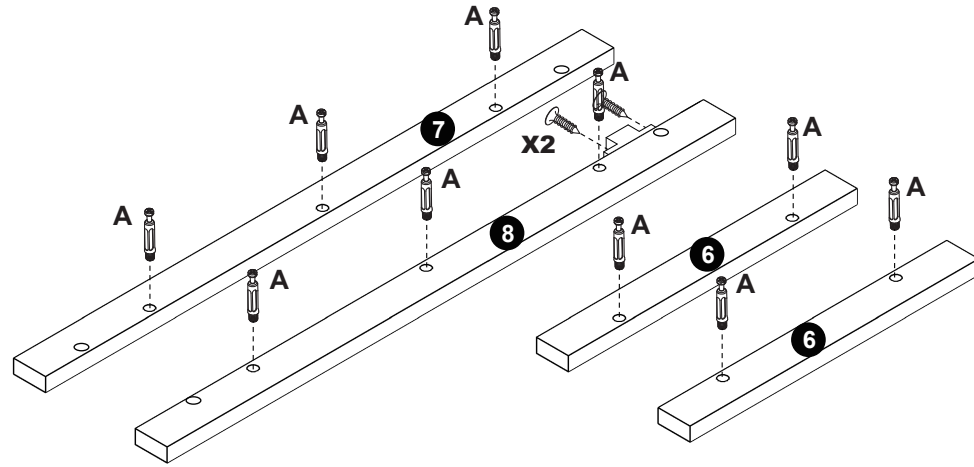
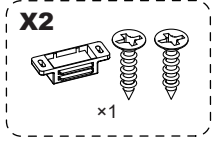
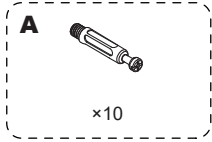
Spirit Level



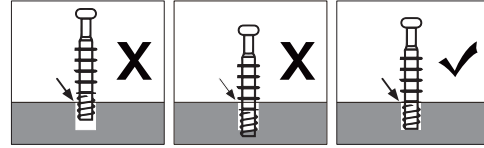
×1

Start...

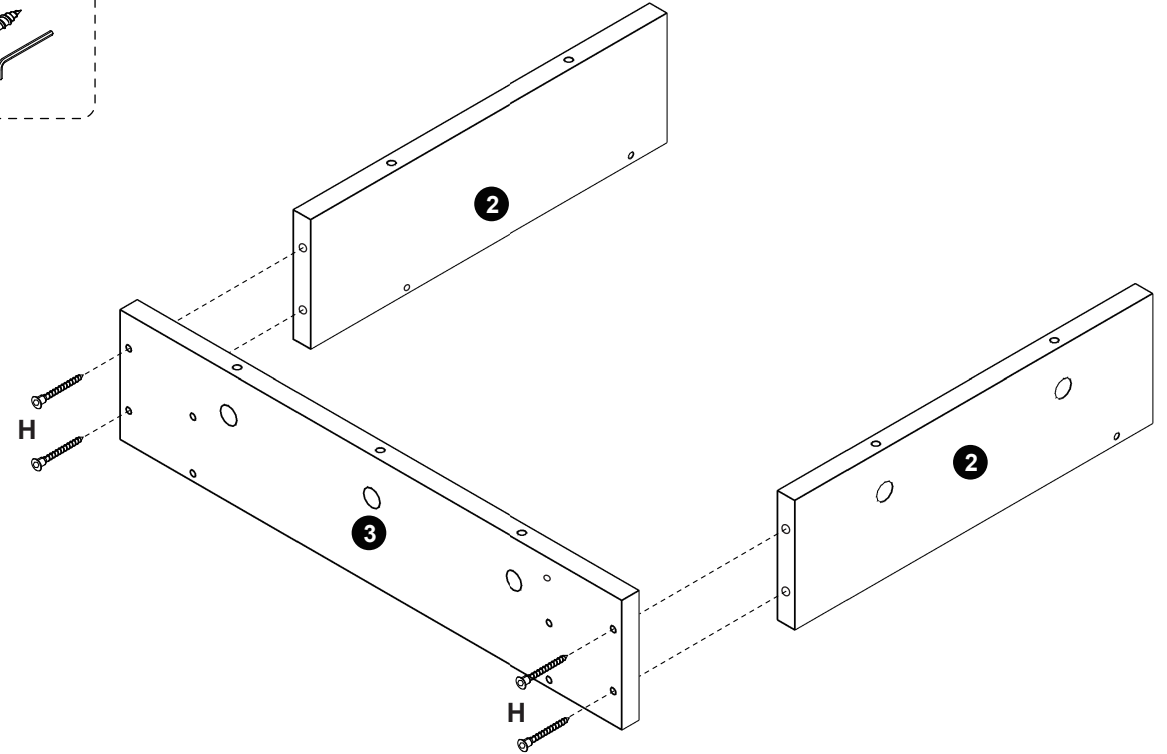
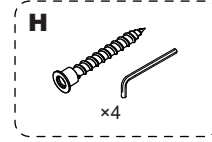
| Step1



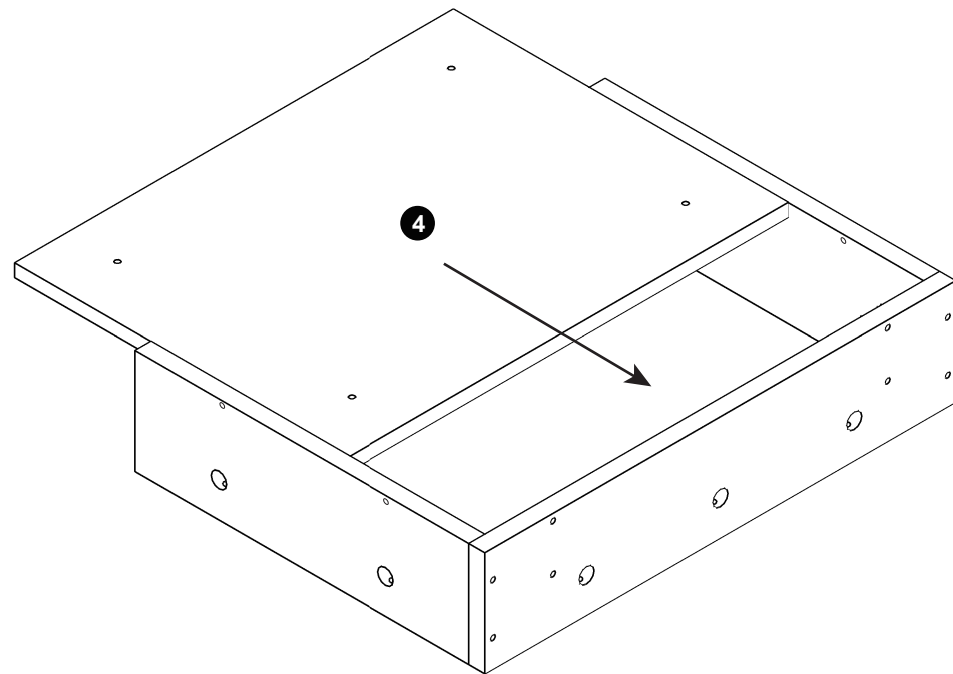
Installation method of three in one bolt



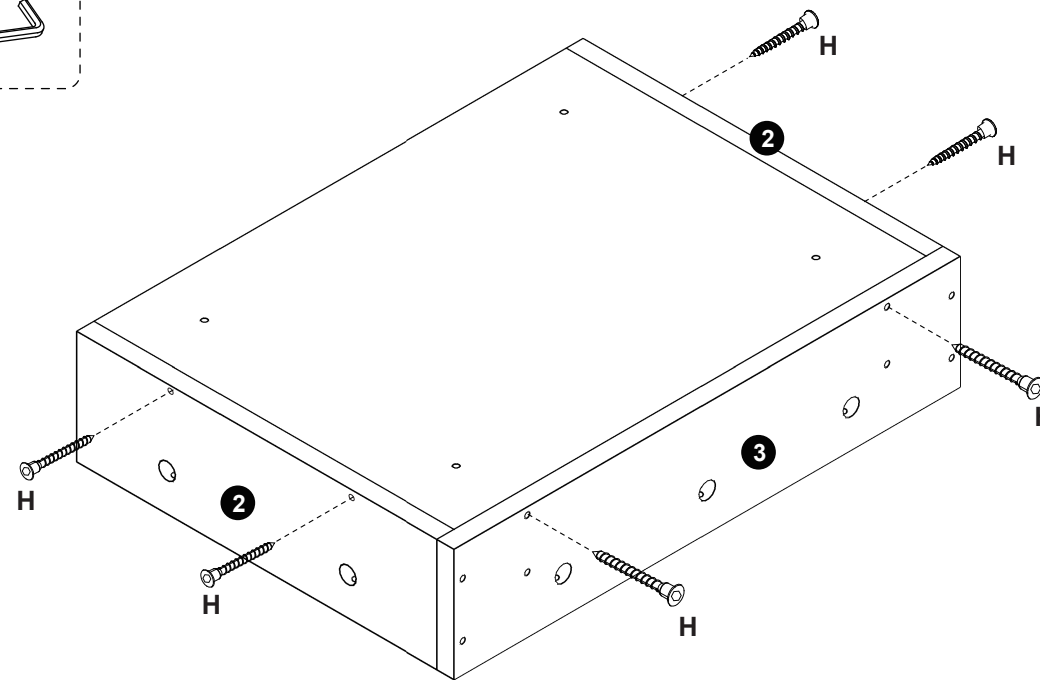
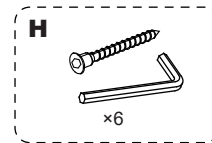
| Step2



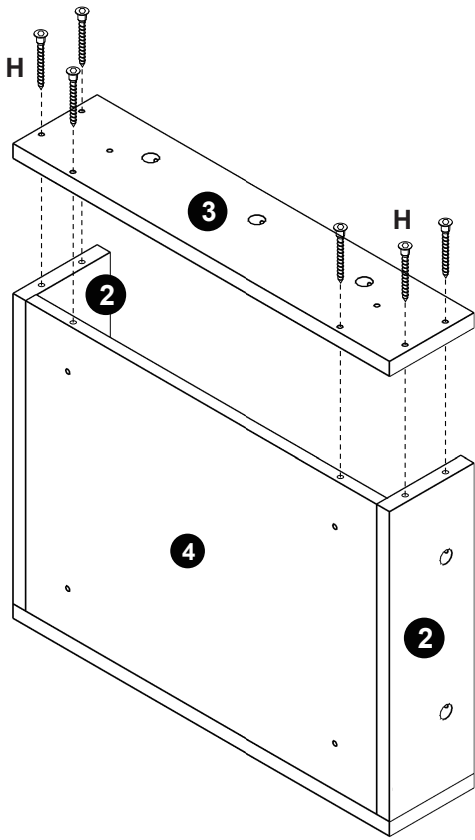
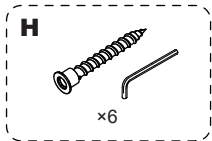
| Step3



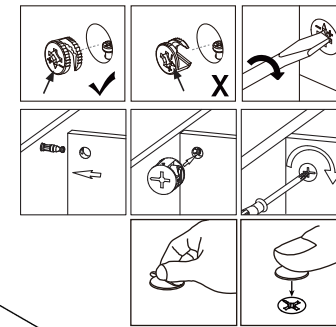
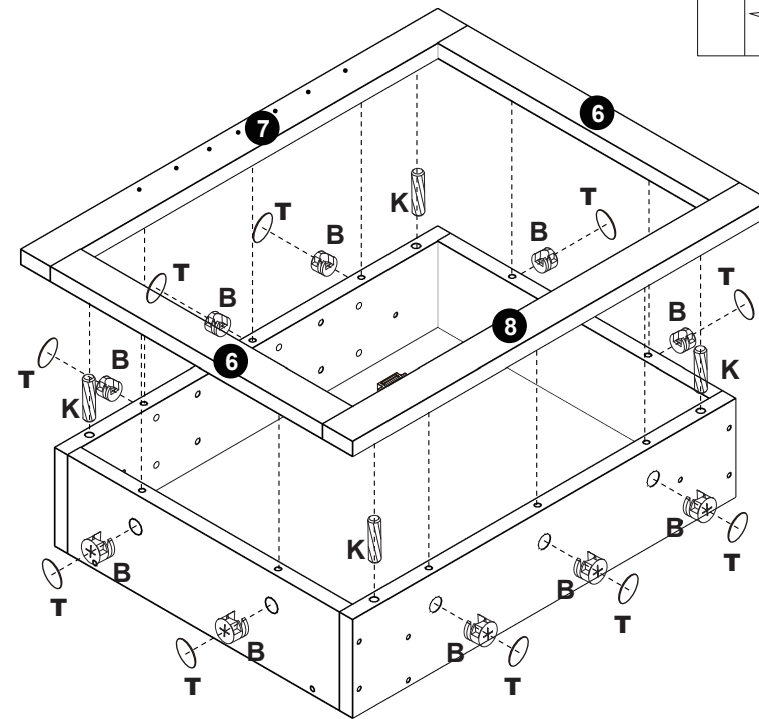
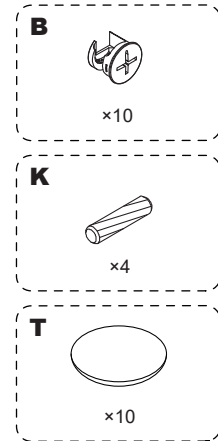
| Step4



| Step5

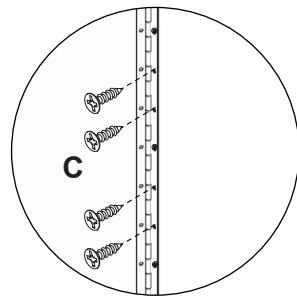
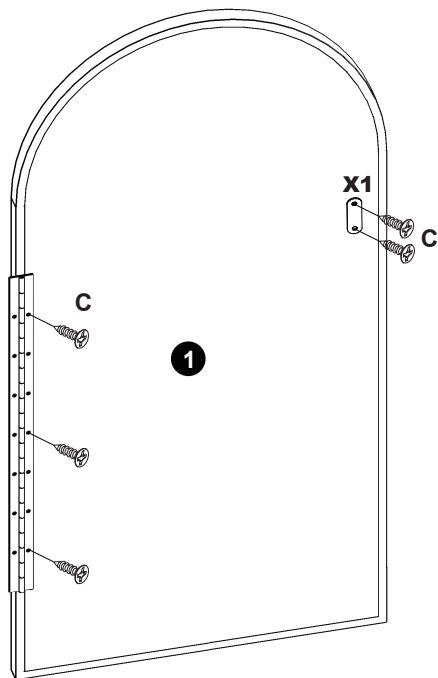
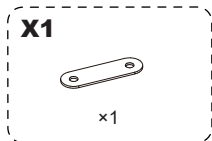
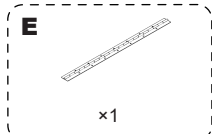
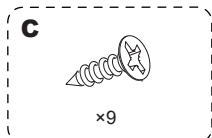


| Step6



| Step 7

First, tighten the screws at the top, middle, and bottom, then proceed to tighten the remaining four screws.



3 Optional Assembly

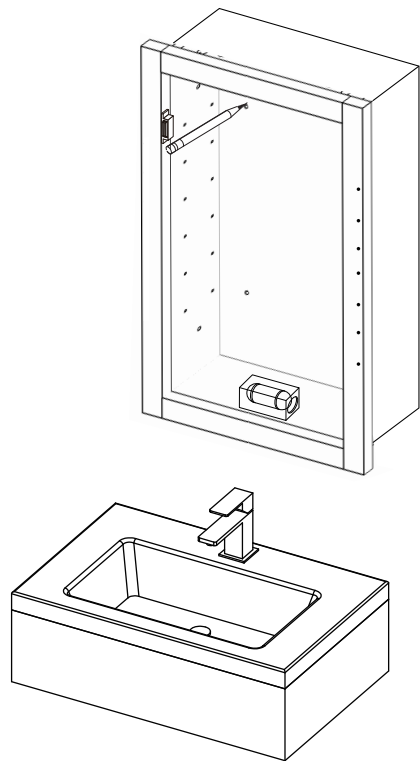
Optional Wall Mounted:

- [01] Please first use a spirit level to measure for levelness, then mark the positions hole with a pencil.

Spirit Level



x1



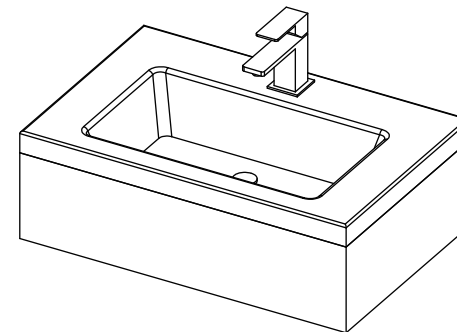
[02]



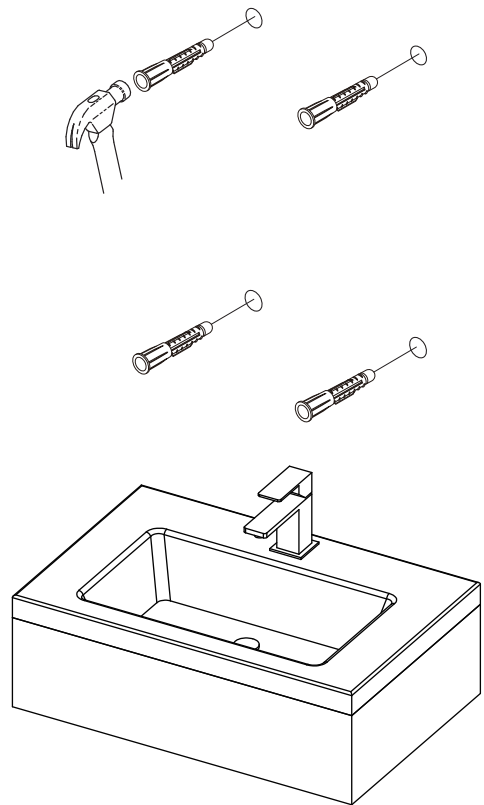
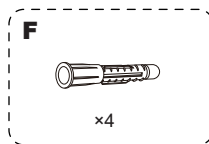
0

0

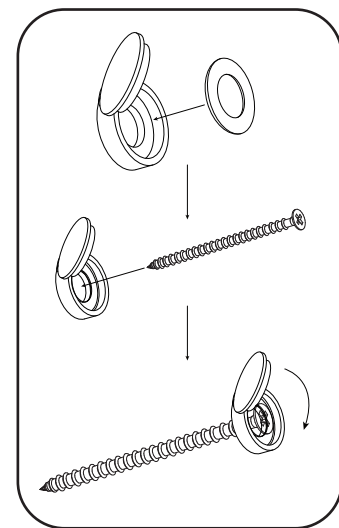
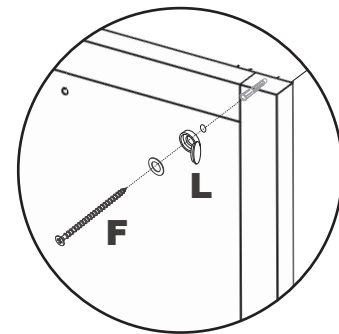
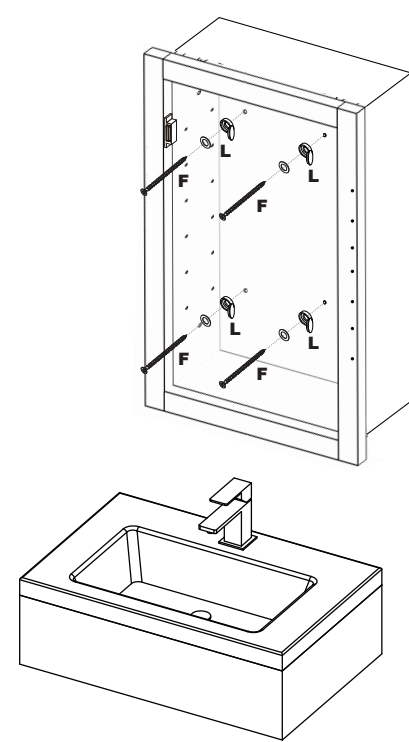
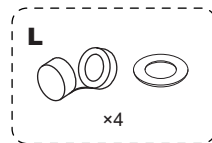
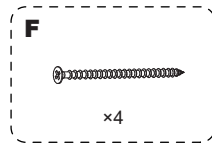
0



[03]

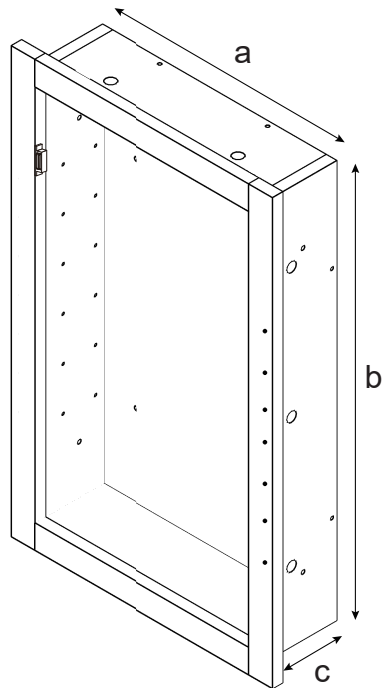


[04]



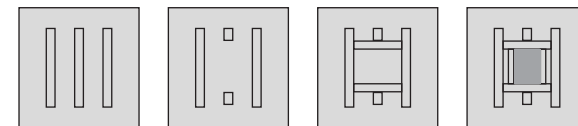
Optional Recessed1:

[01]



[02]

Steps to frame the cutout opening

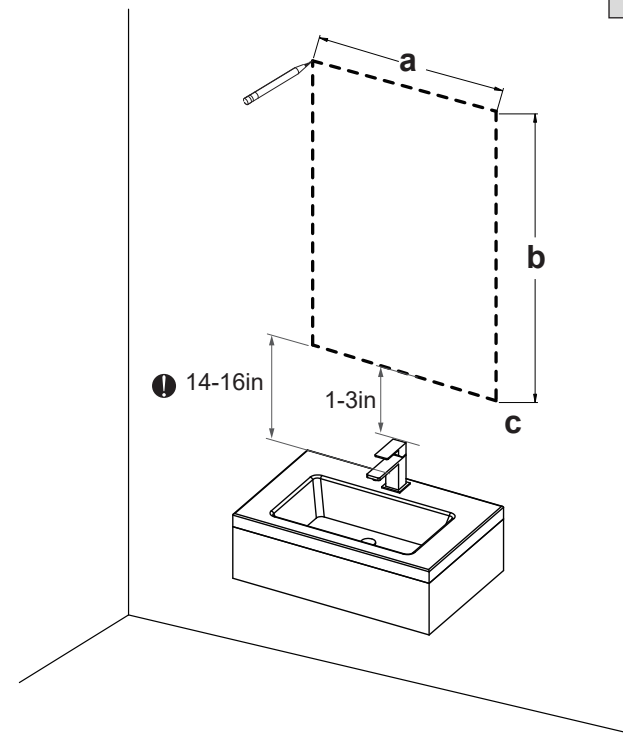


1

2

3

4

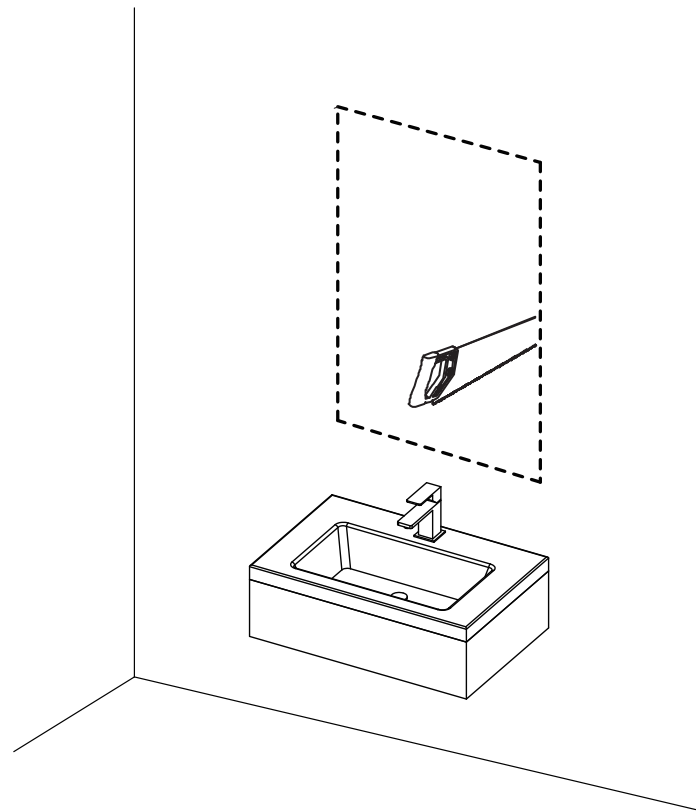


14-16in

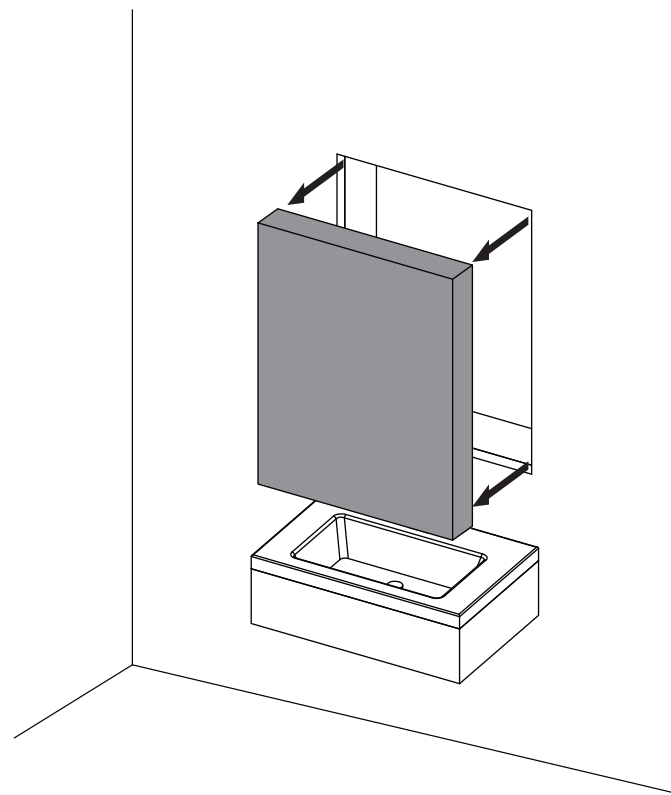
1-3in

c

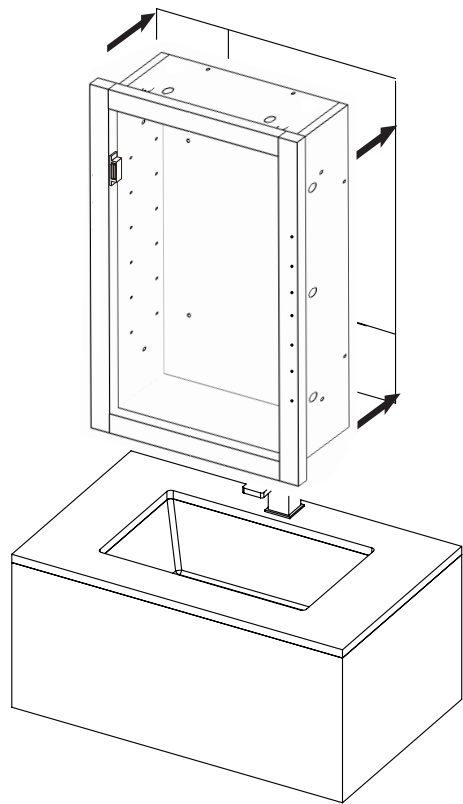
[03]



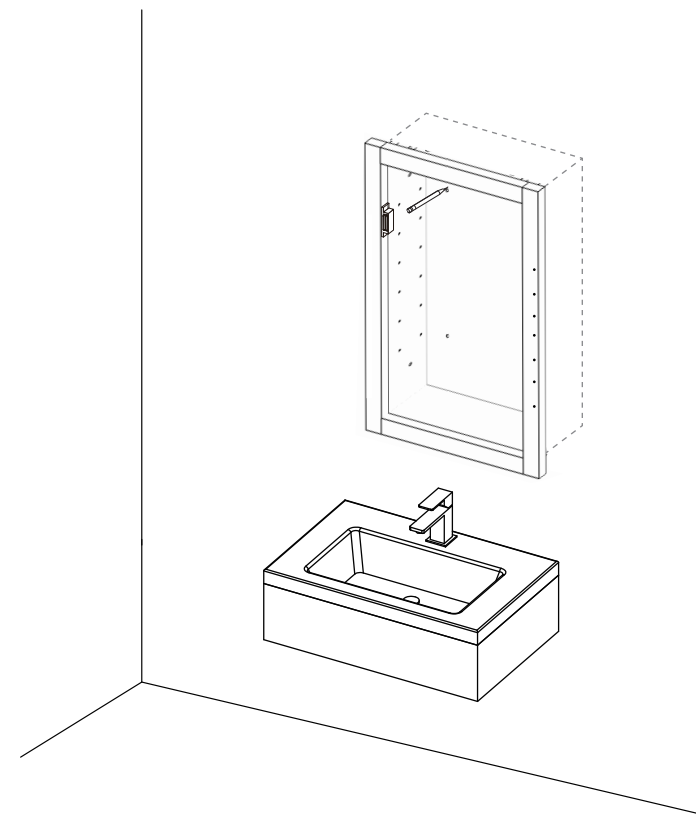
[04]



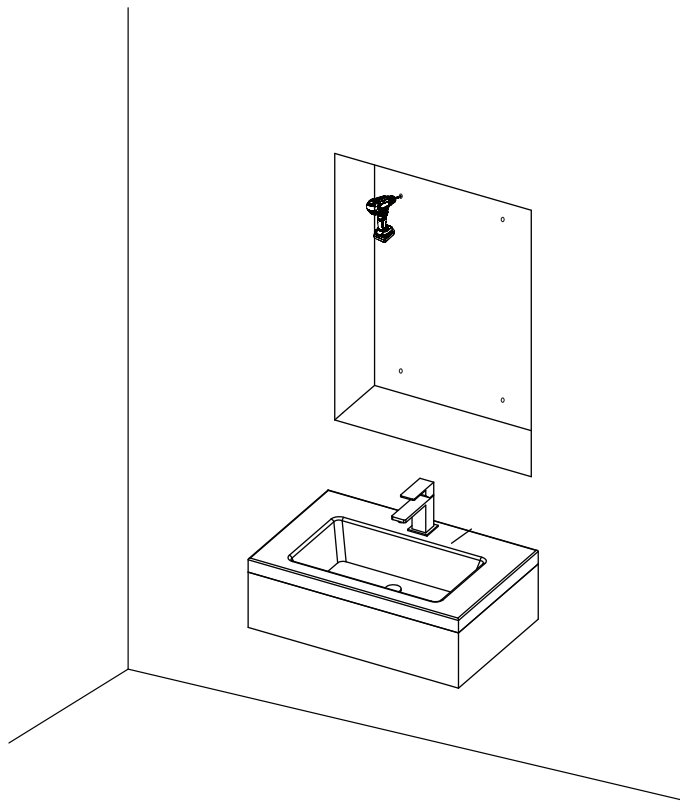
[05]



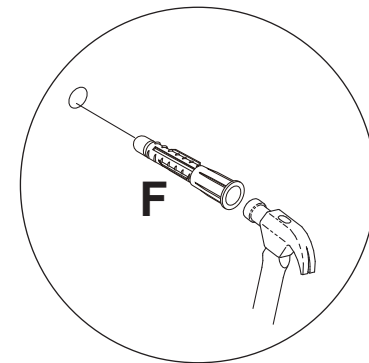
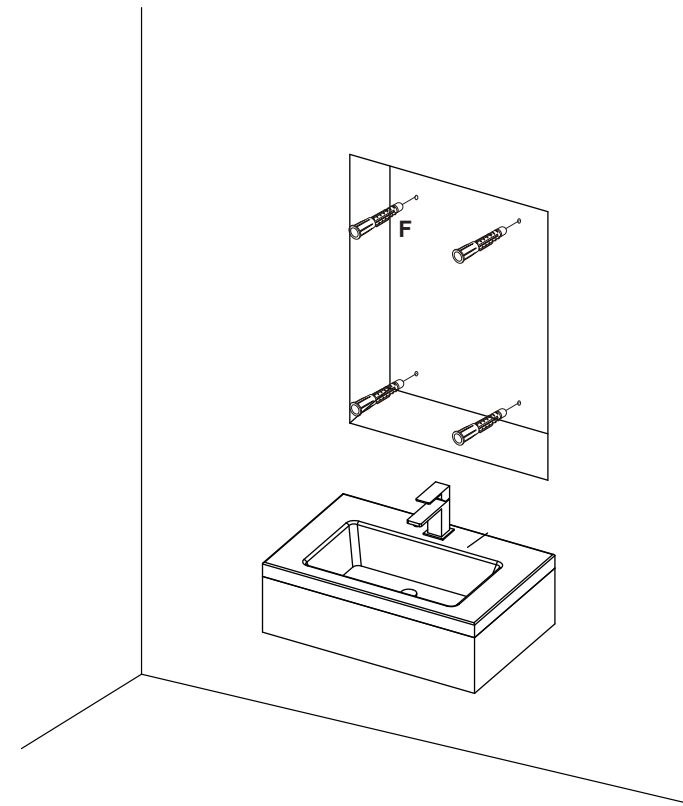
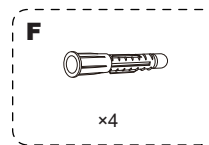
[06]



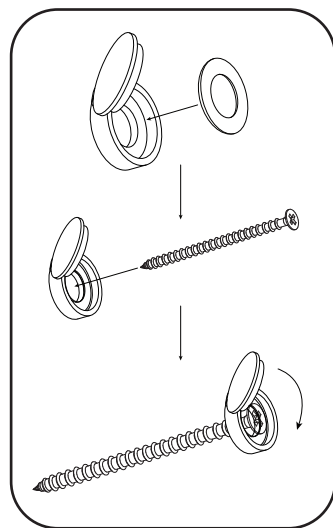
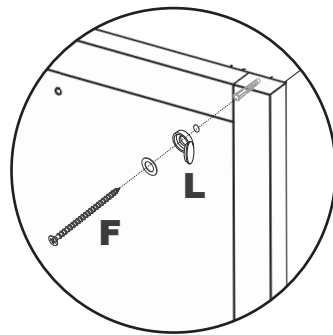
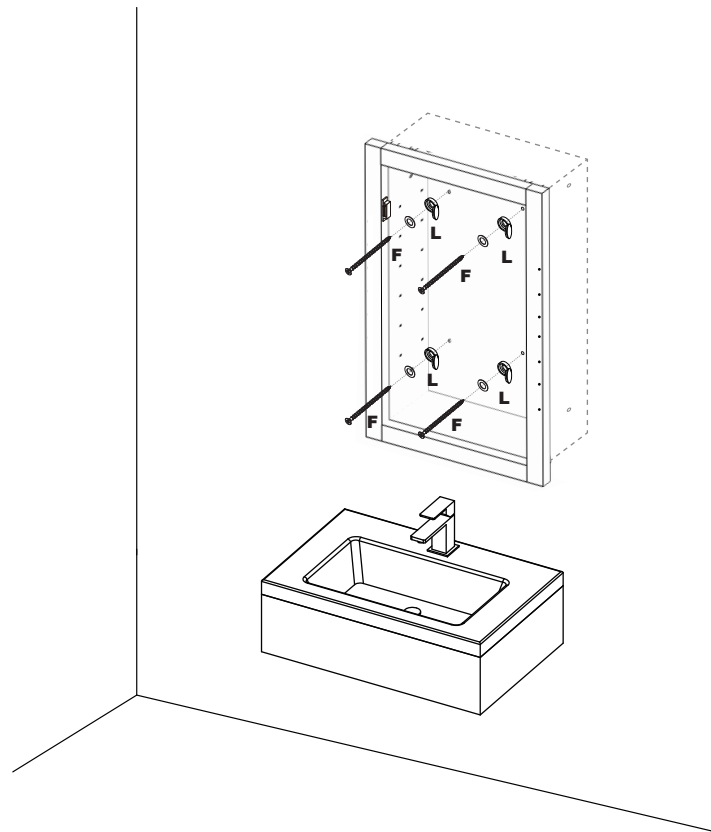
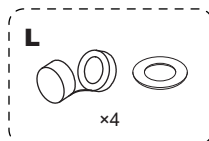
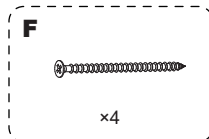
[07]



[08]



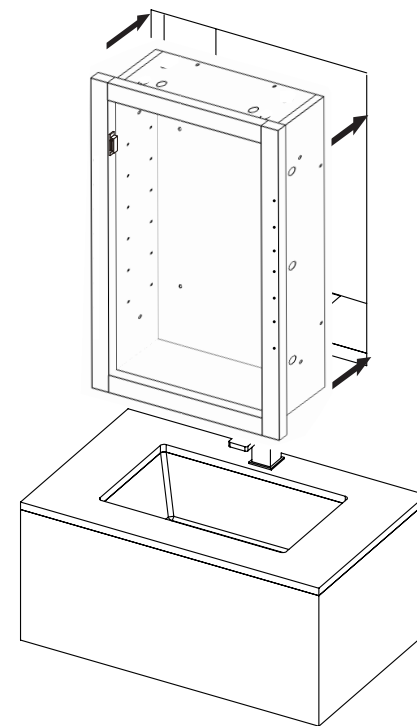
[09]



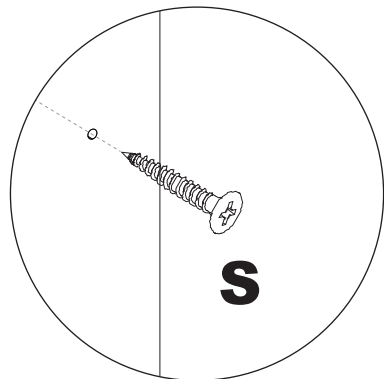
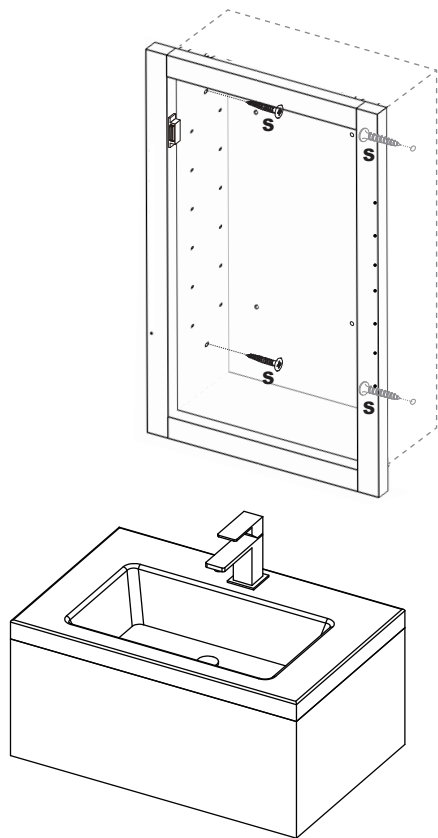
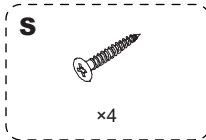
Optional Recessed2:

When there are already embedded interior cabinets on the wall

[01]

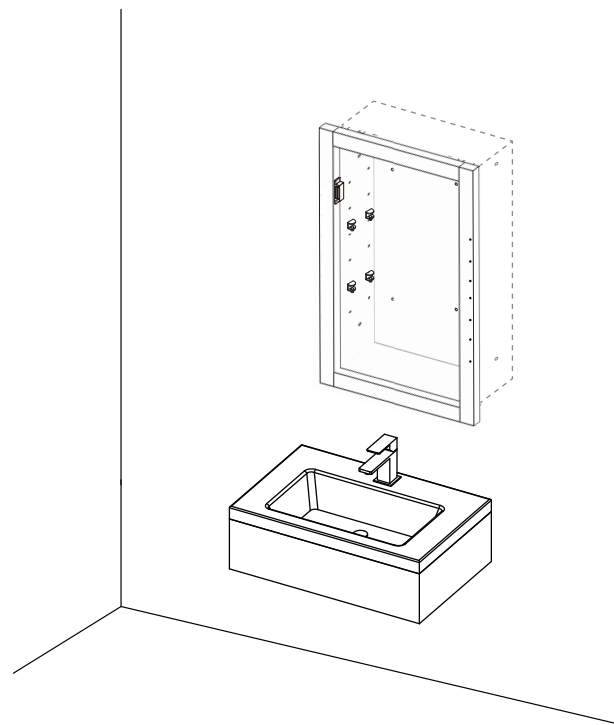


[02]

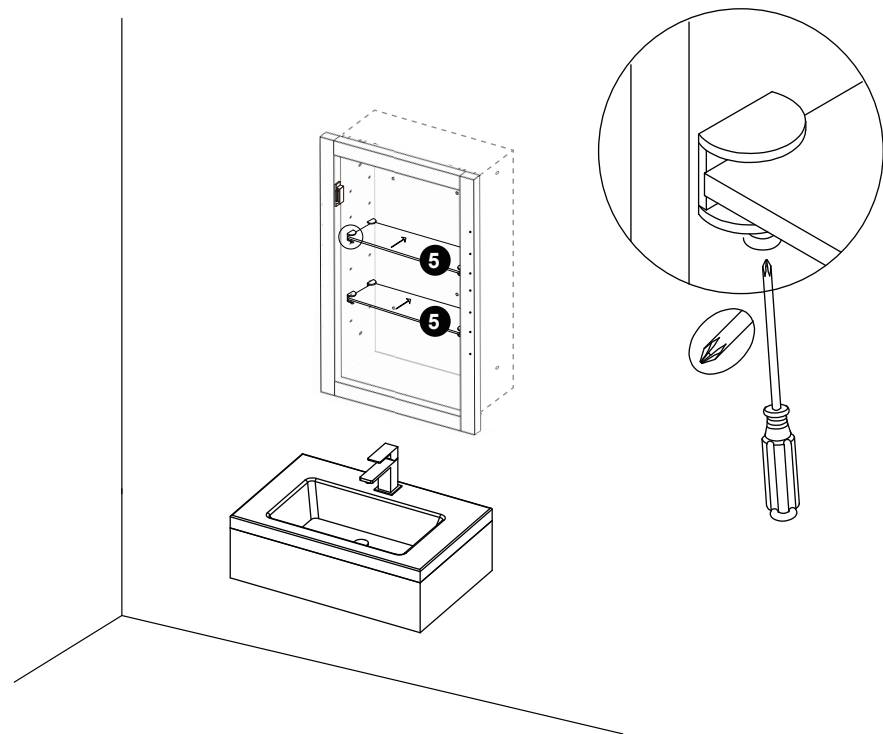


| Step8

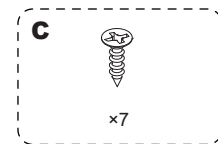
After installing the cabinet onto the wall, continue installing other components of the mirror cabinet



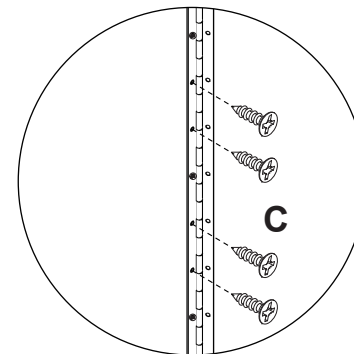
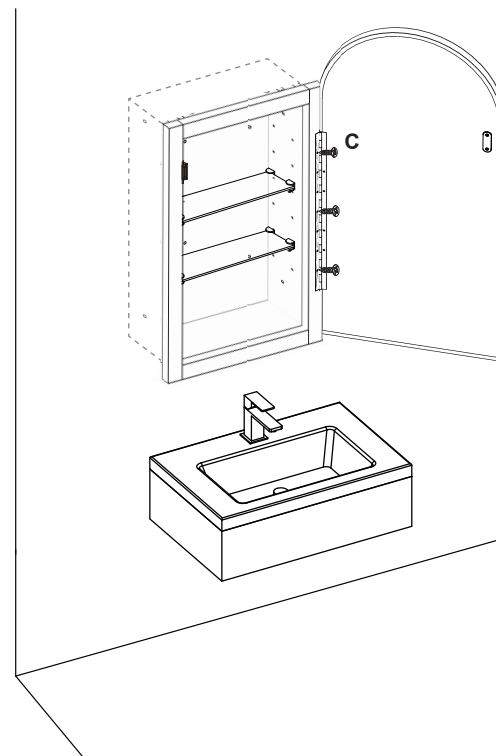
| Step9



| Step10

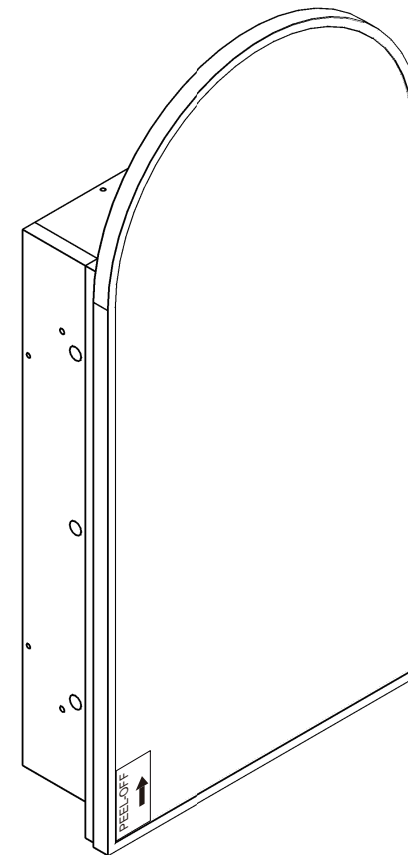
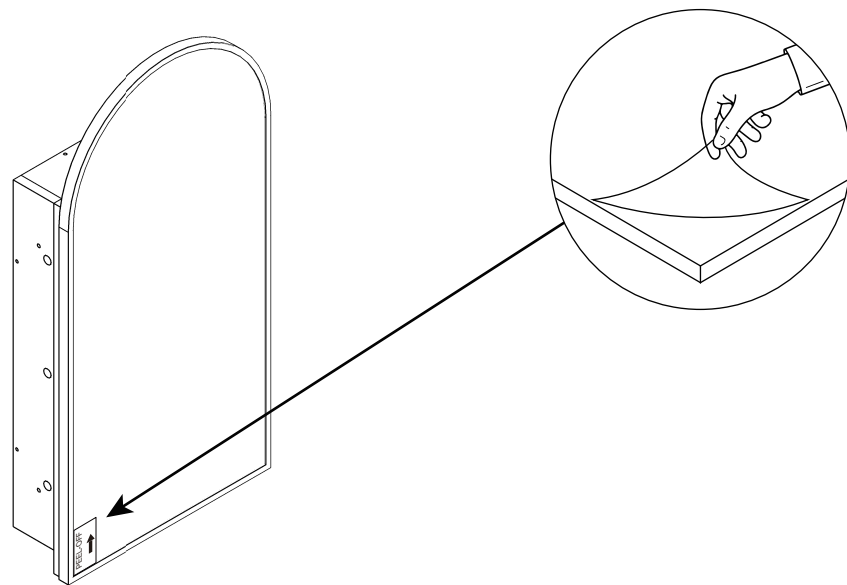


First, tighten the screws at the top, middle, and bottom, then proceed to tighten the remaining four screws.



| Step11

As shown, please remove the protective film from the mirror, then wipe the four edges with a rag.



About Meplzian

Meplzian has focused on household products design and research for many years. Professional design and warm-hearted service make each Meplzian staff believe that eco-friendly and cost-effective furniture make warmer home and better life.

Bathing Spaces,Healing Traces

Customer Service: official@meplzian.com

Meplzian®

LIMITED WARRANTY

Meplzian furniture team would like to improve customer service quality and make your experience smooth.

Return Policy:Meplzian accepts returns within 30 days without any significant reason. After we receive the returned item, we will check it and make sure that it is not damaged, then we will process the refund. For more details, please check the above terms of RETURN/DAMAGE CLAIM INSTRUCTIONS.

Any damages,defects and parts missings during installation, pls contact us from the very beginning. Replacement, exchange and refund will be arranged ASAP except of personal reasons.

The exceptions or exclusions to this warranty are as follows:

1. Meplzian does not accept claims outside of a limited period.
2. This warranty does not include the products purchased by mistake.
3. Any damages, broken parts, missing parts, Meplzian will repair or replace them without charging you any cost within a reasonable period.

We reserve the right to require damaged parts to be returned to us upon our request.

If you have any questions concerning this warranty, please get in touch with the Meplzian Customer Service department via Amazon message or official@meplzian.com. Be prepared to provide your name, address, daytime phone number, the product's model and purchase order number, the date of purchase, and the store name. All the information you provided will help us track your order quickly and solve your problem in the shortest time. This warranty gives you specific rights, and you still possess other rights that vary in each case.