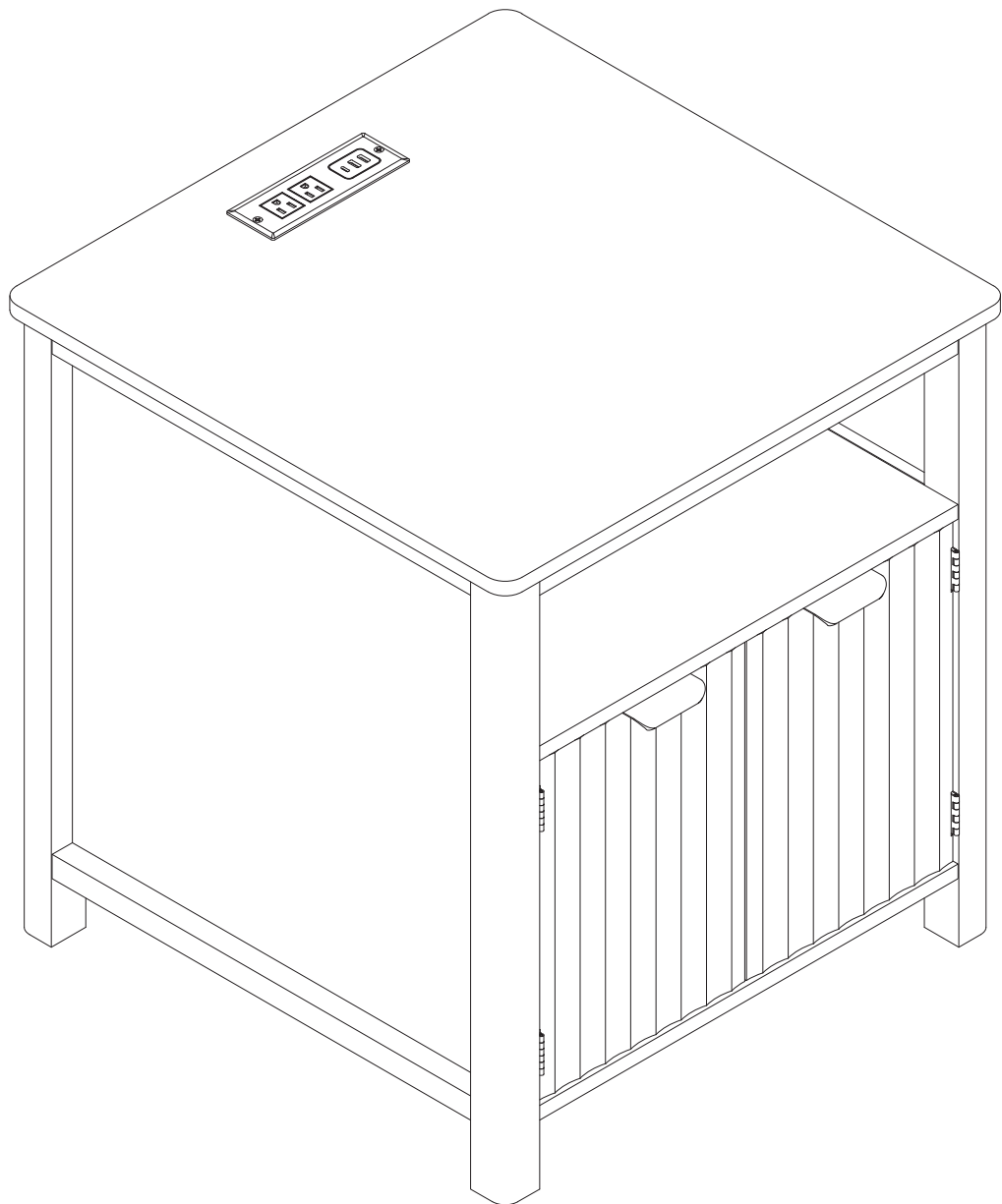


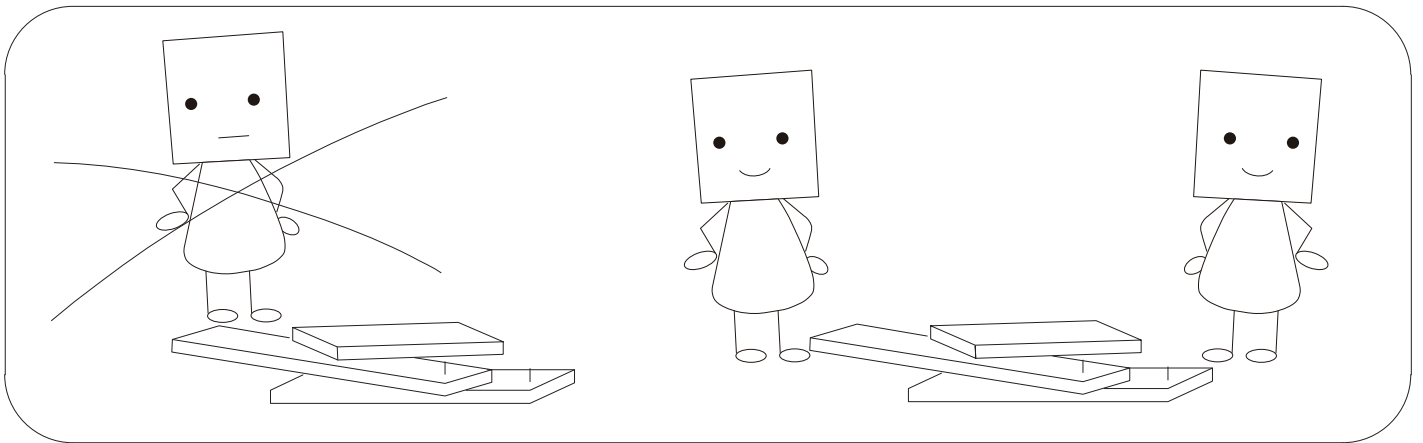
# ASSEMBLY INSTRUCTION



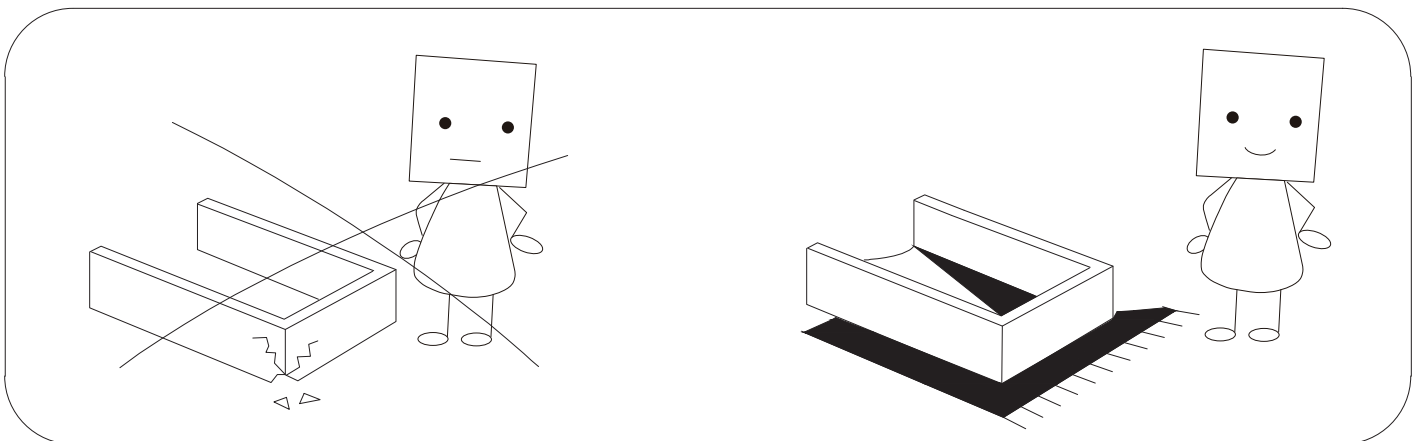


# WARNING

Need Two Or More People To Complete

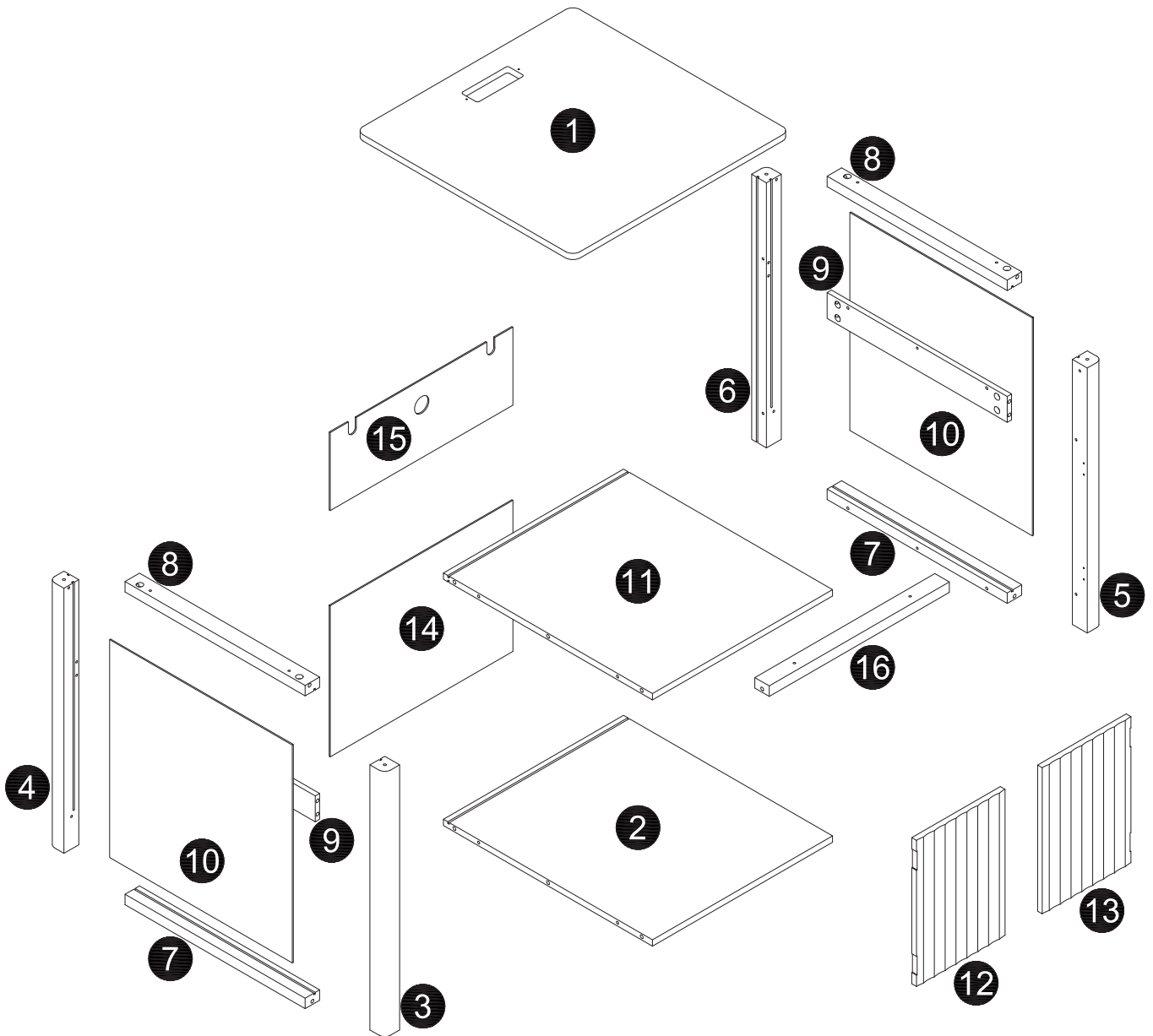


Assemble Item On a Clean Flat Surface



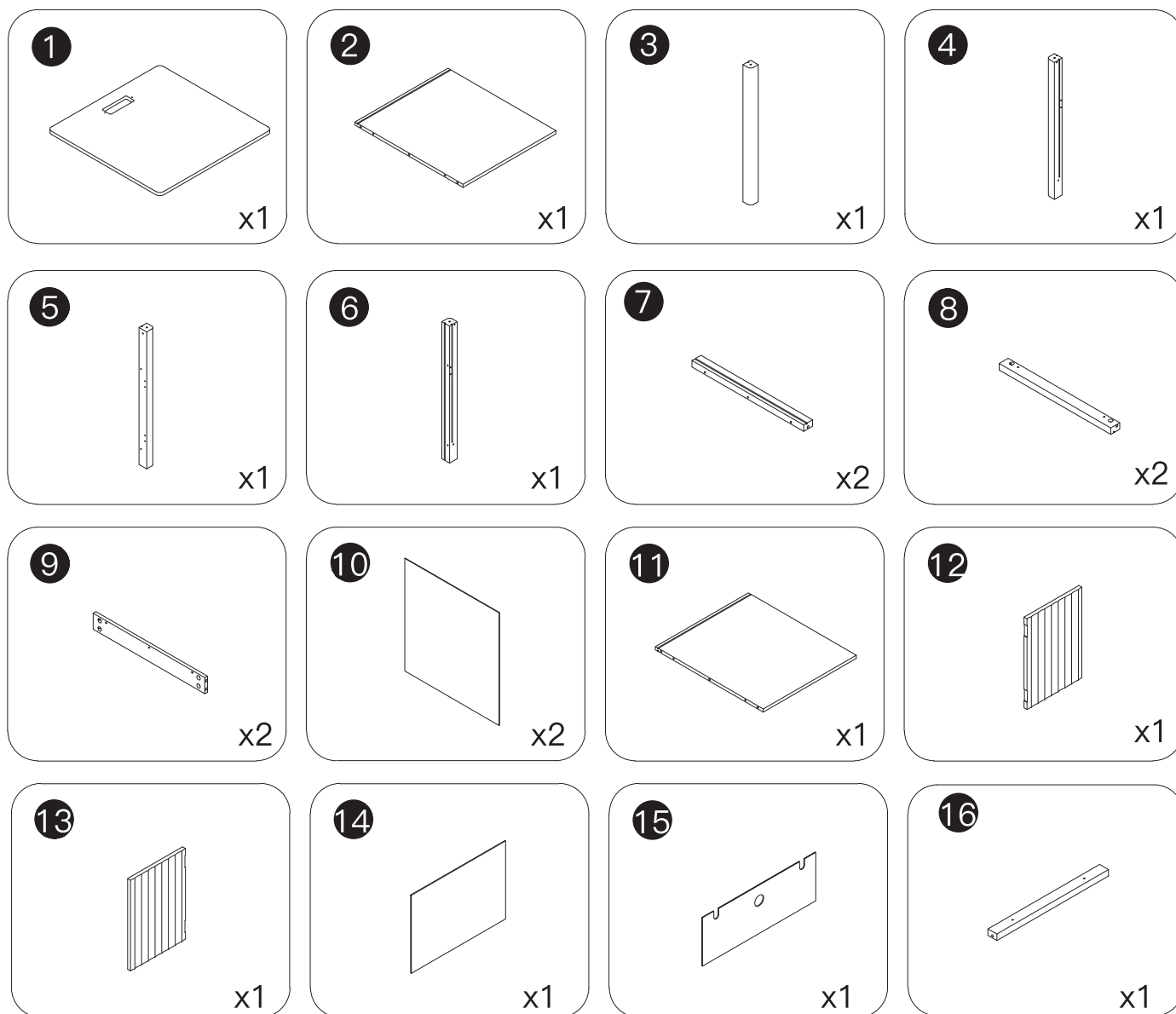
- Please check you have all hardware before assembling.
- Please ensure you have the name of the item and hardware part required and quantity.
- If you have any questions, please contact us by original purchase platform. we will reply you ASAP.
- For the safety of you and your family, it is necessary to install Anti-Tip Device Kit.

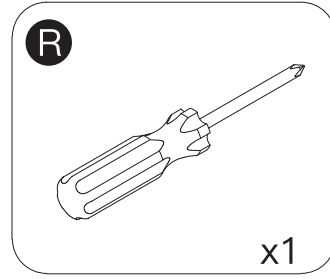
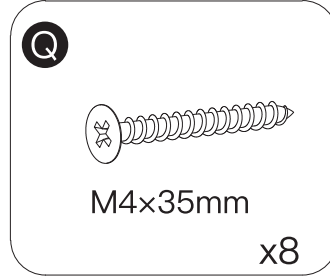
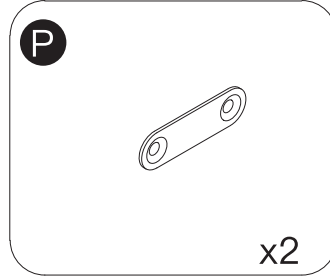
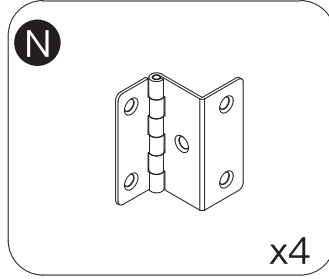
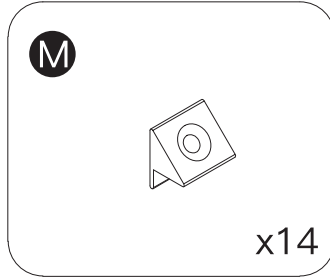
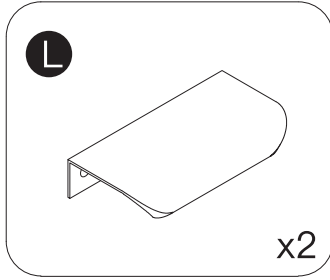
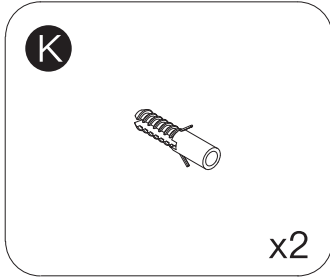
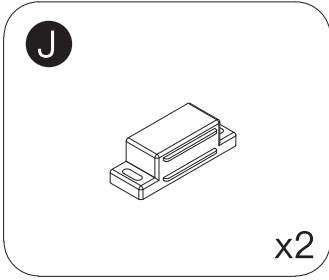
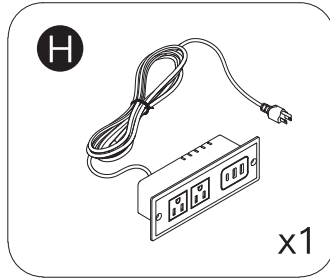
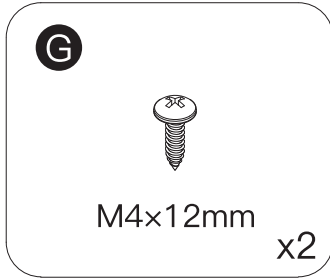
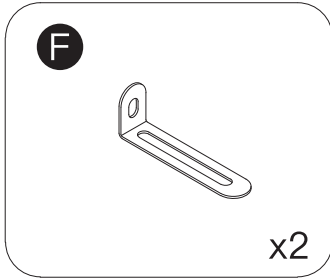
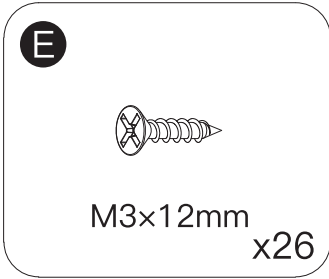
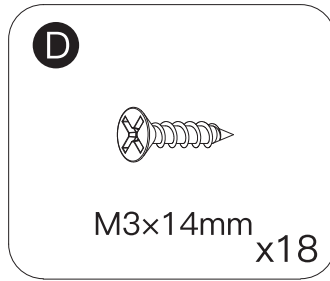
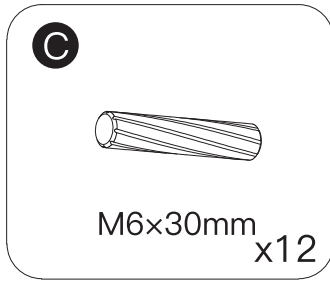
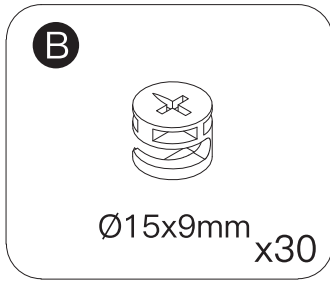
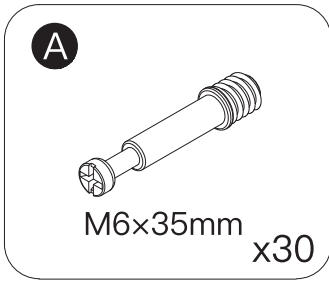
# EXPLODED DRAWING:



Please check all parts and accessories according to the parts list before assembling, make sure all contents are sufficient and in good condition. If there is any parts missing or defective, please contact us with purchase platform message immediately to get replacement parts.

## PARTS:



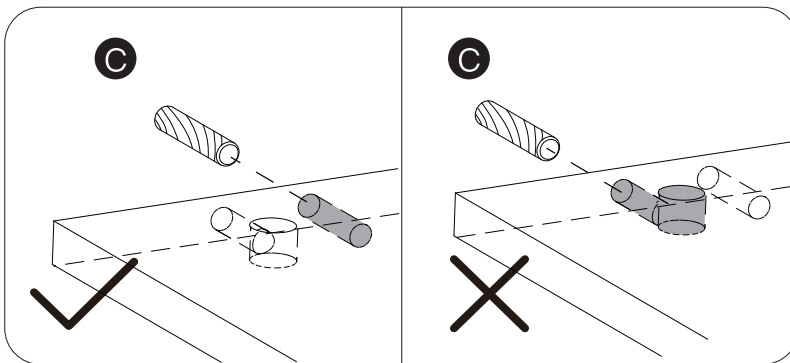


# HOW TO INSTALL

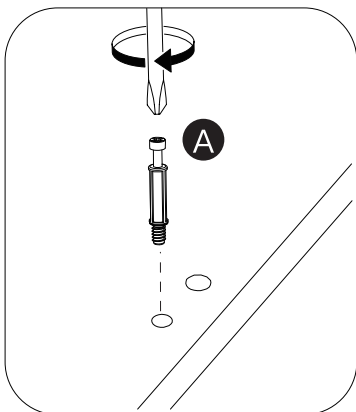
## NOTICE:

1. Use electric drill for easier installation experience.
2. Please drive the screws in pre-drilled holes.
3. Please strictly follow the instruction and diagram in every step.
4. Make sure every part is on the right position, otherwise it may cause unnecessary problem.
5. Select the proper component via the label on every part while assembling.

## REMARK:



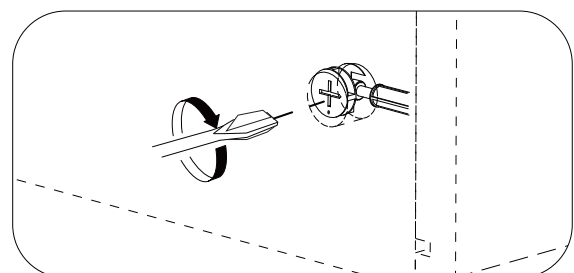
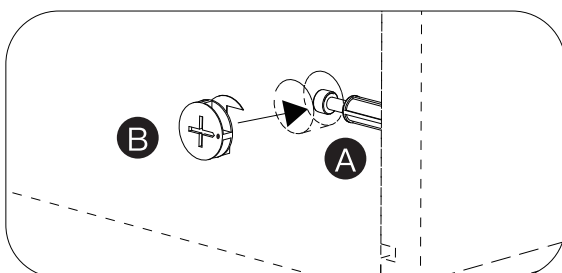
Avoid inserting part C into wrong holes.



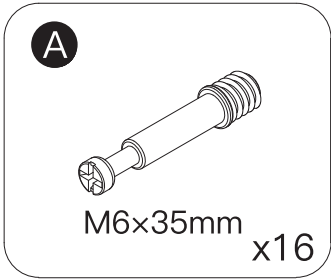
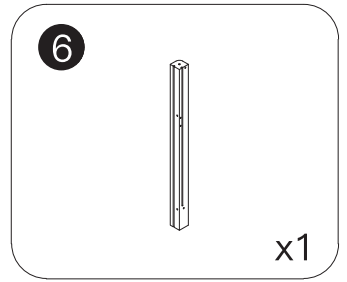
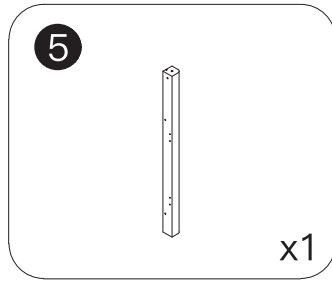
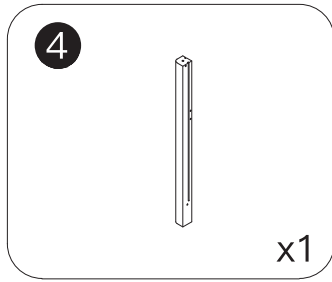
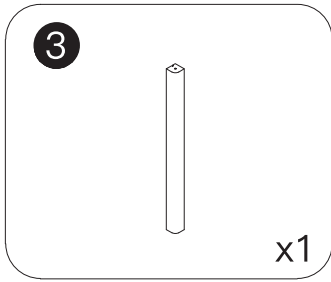
Part A must be installed into the holes with rubber nuts which are smaller than others.

Please ensure that part A is facing the direction of the gap of part B .

When locking part B, please make sure part A is fully inserted.

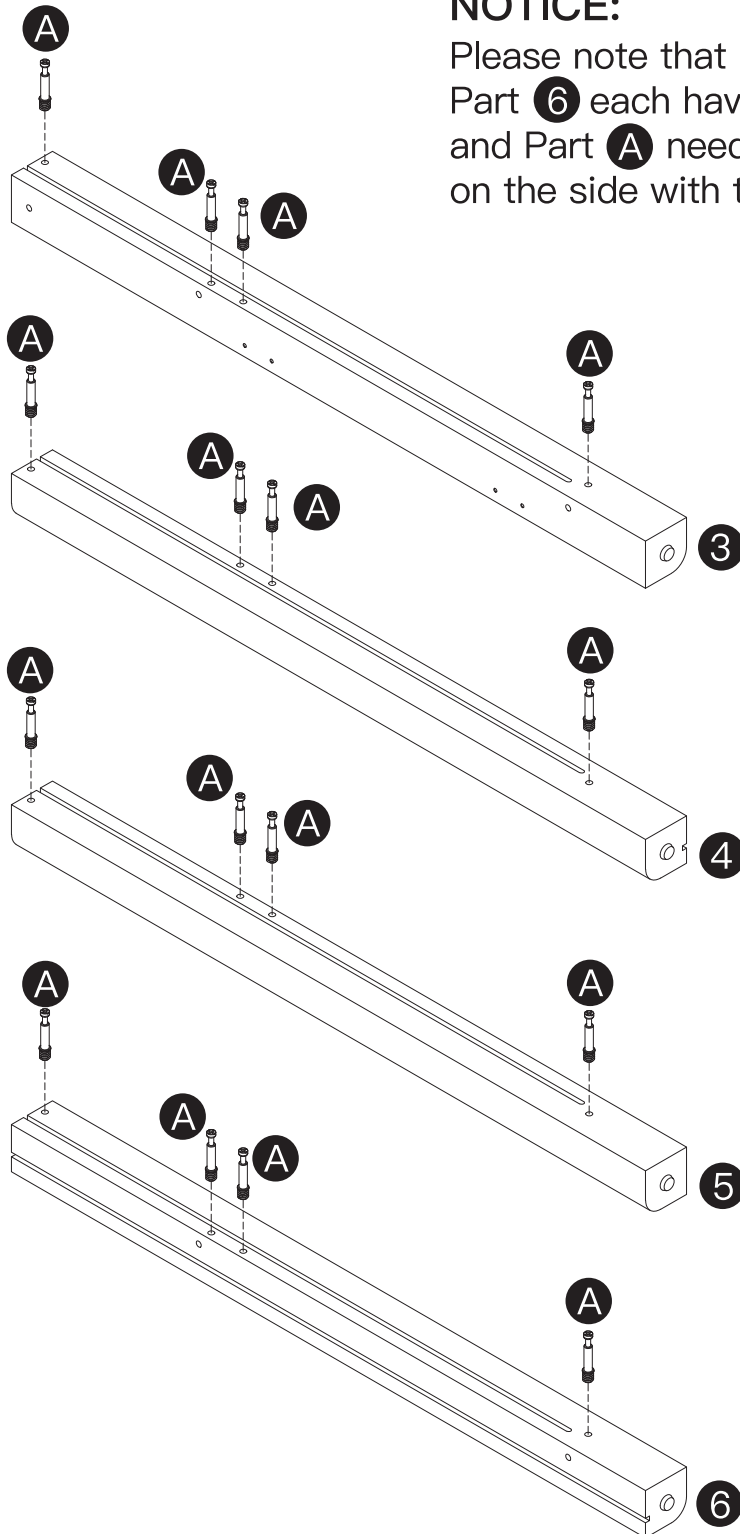


# STEP 1

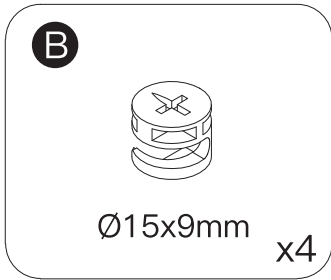
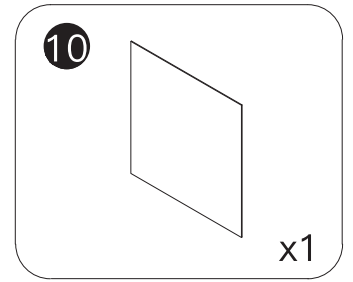
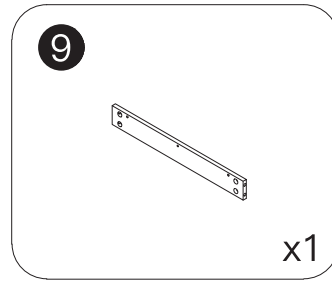
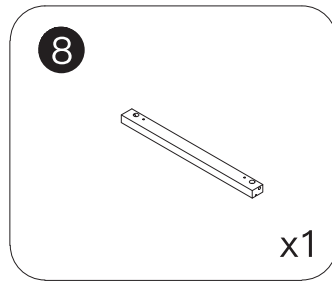
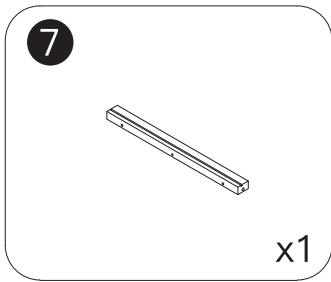


## NOTICE:

Please note that Part 4 and Part 6 each have two grooves, and Part A needs to be installed on the side with the shorter groove.

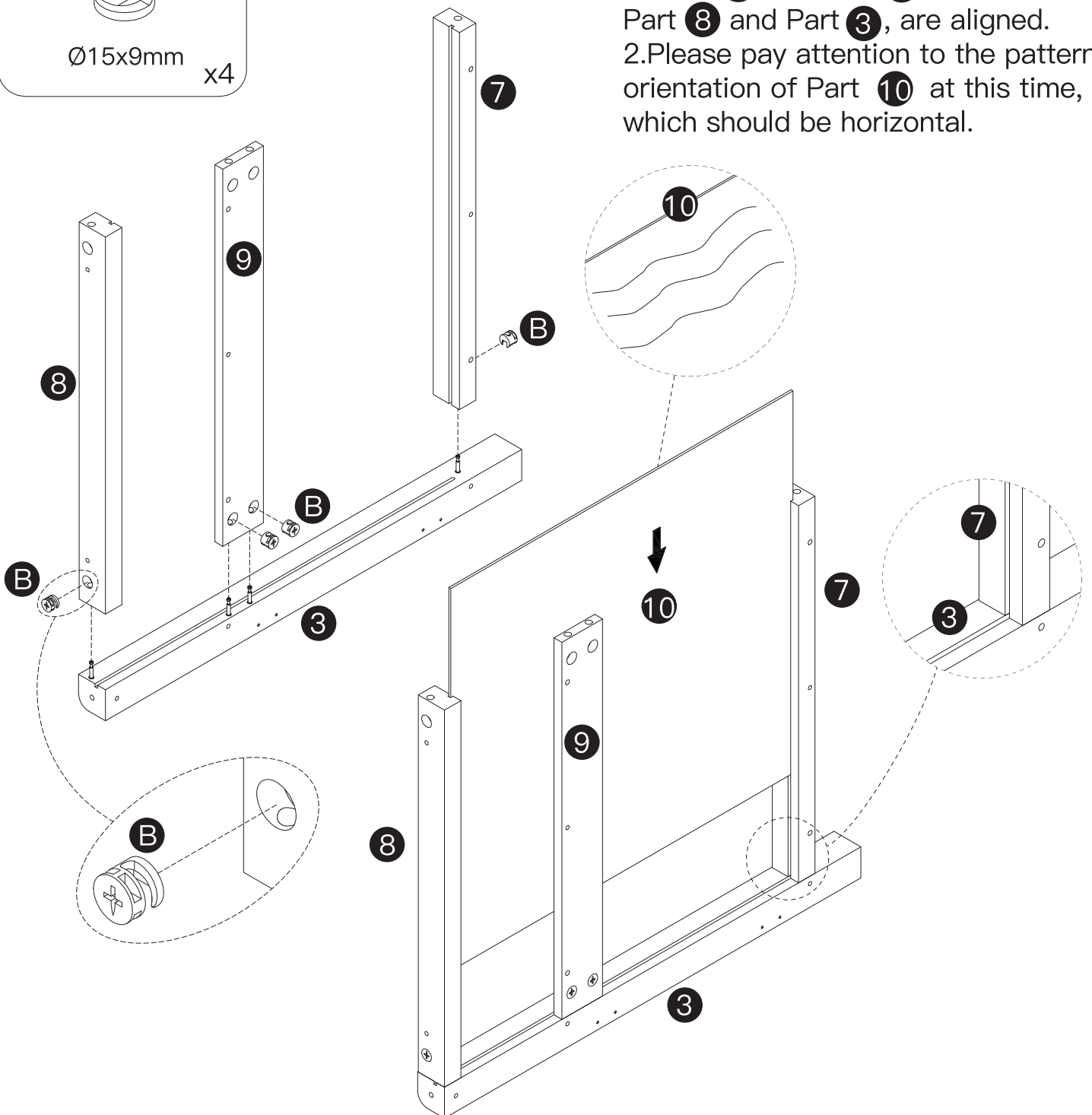


# STEP 2

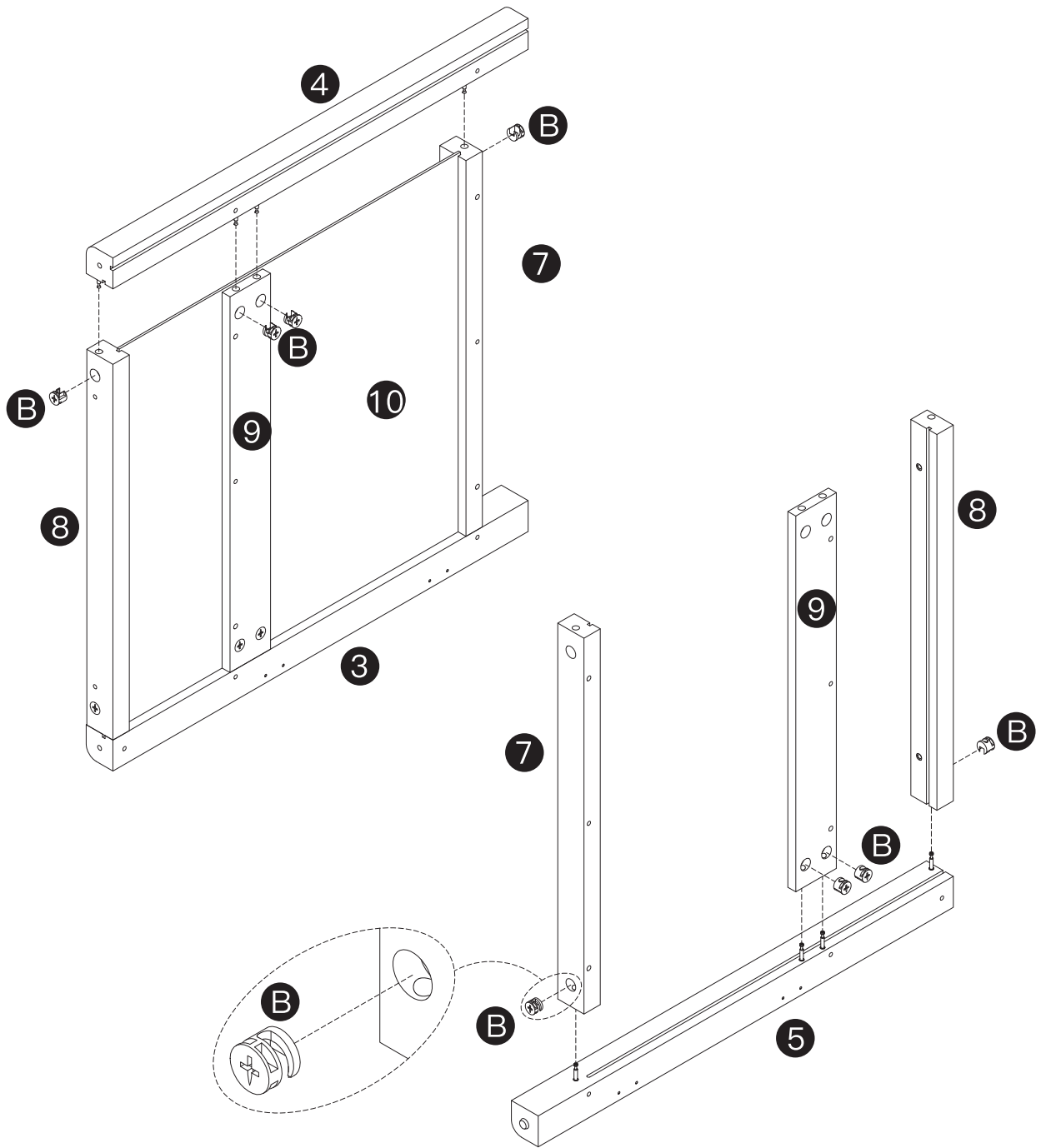
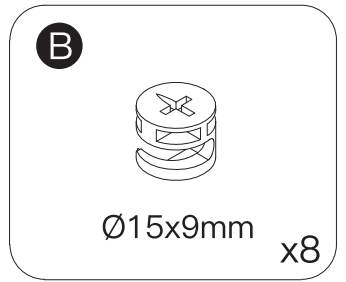
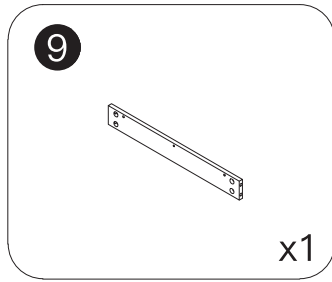
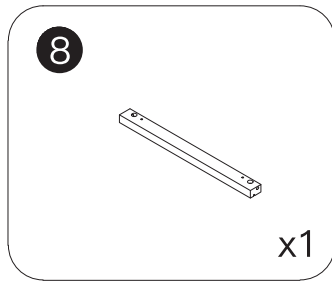
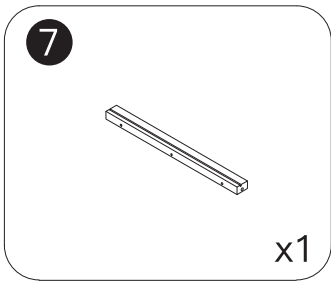


## NOTICE:

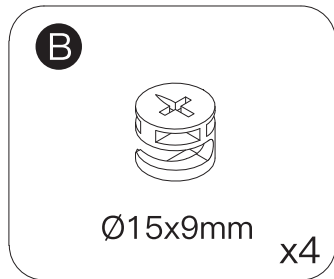
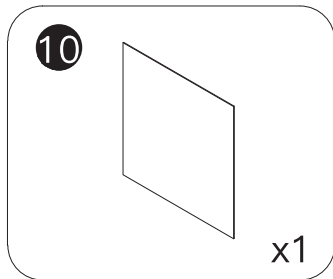
1. Please note whether the grooves of Part 7 and Part 3, as well as Part 8 and Part 3, are aligned.
2. Please pay attention to the pattern orientation of Part 10 at this time, which should be horizontal.



# STEP 3

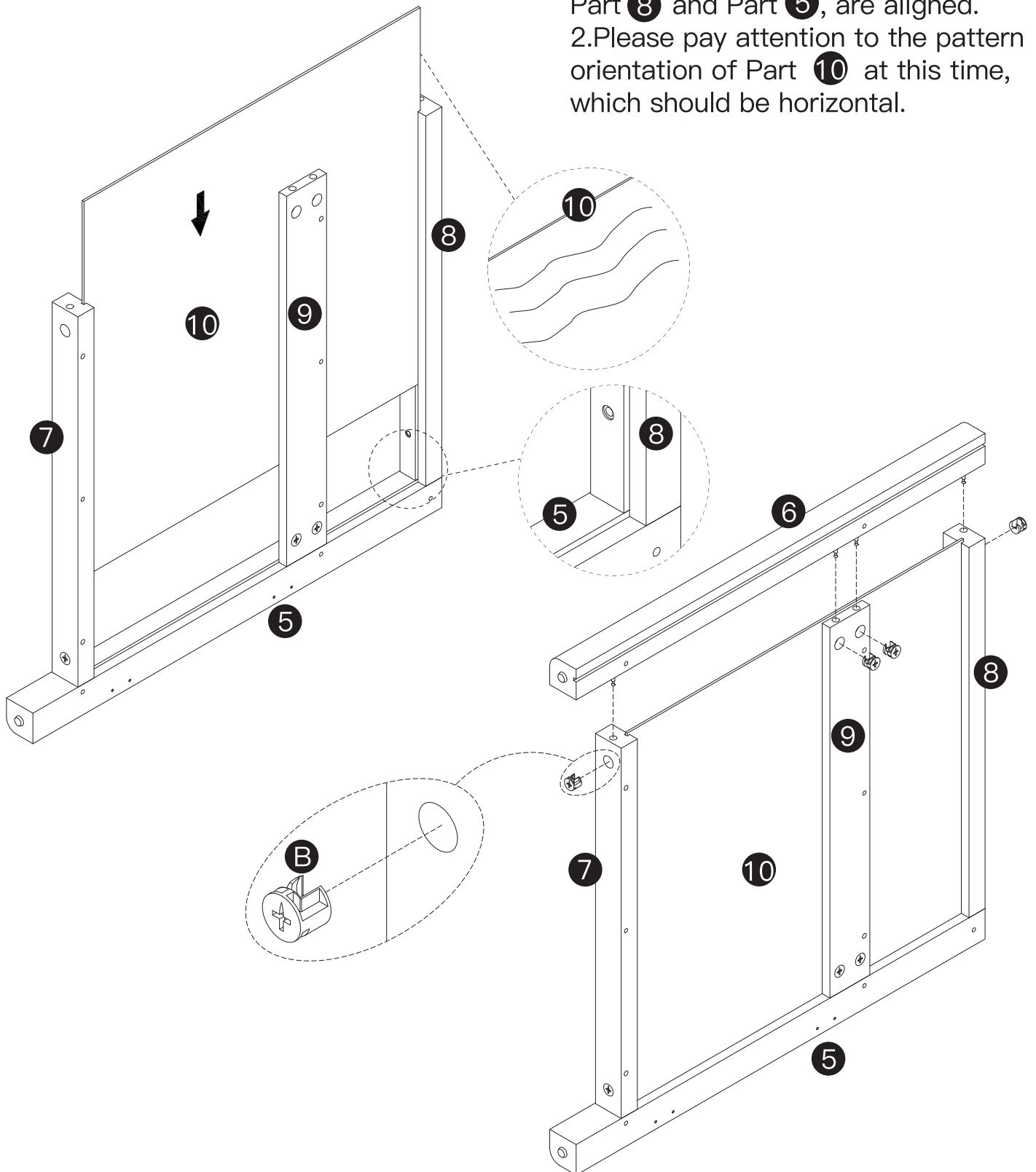


# STEP 4



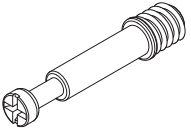
## NOTICE:

1. Please note whether the grooves of Part 7 and Part 5, as well as Part 8 and Part 5, are aligned.
2. Please pay attention to the pattern orientation of Part 10 at this time, which should be horizontal.

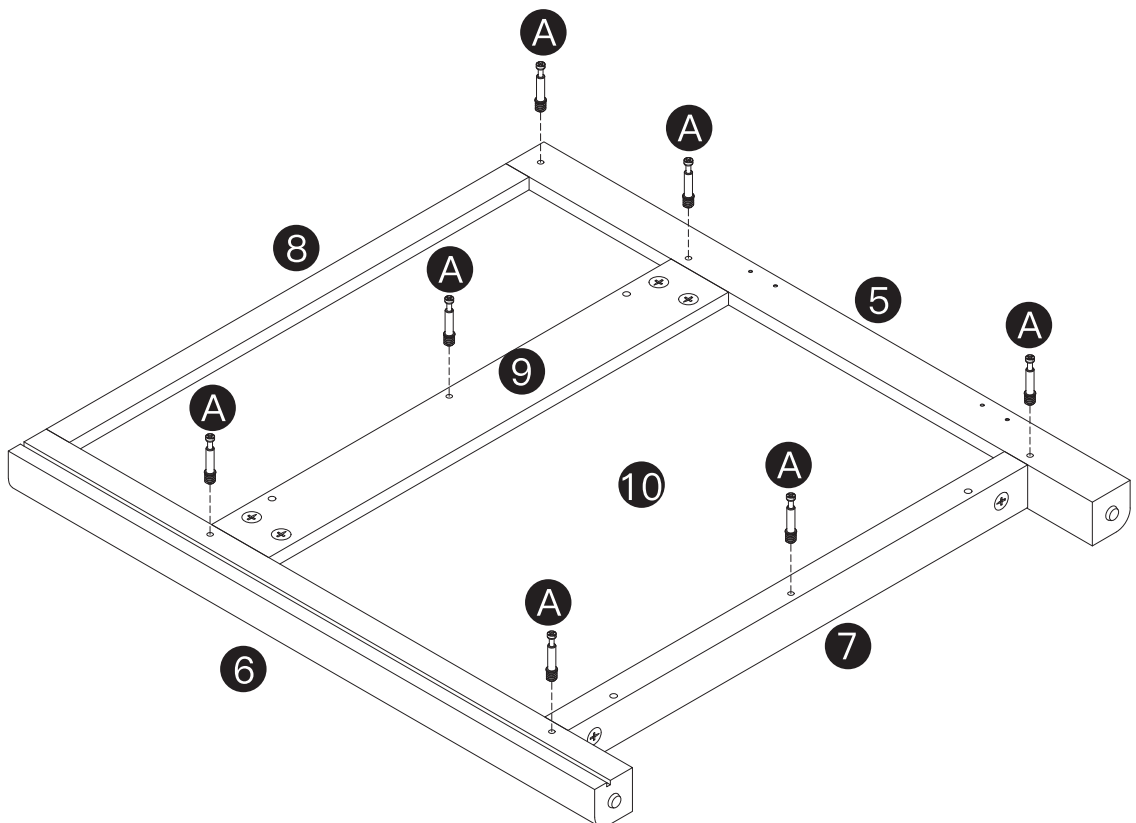
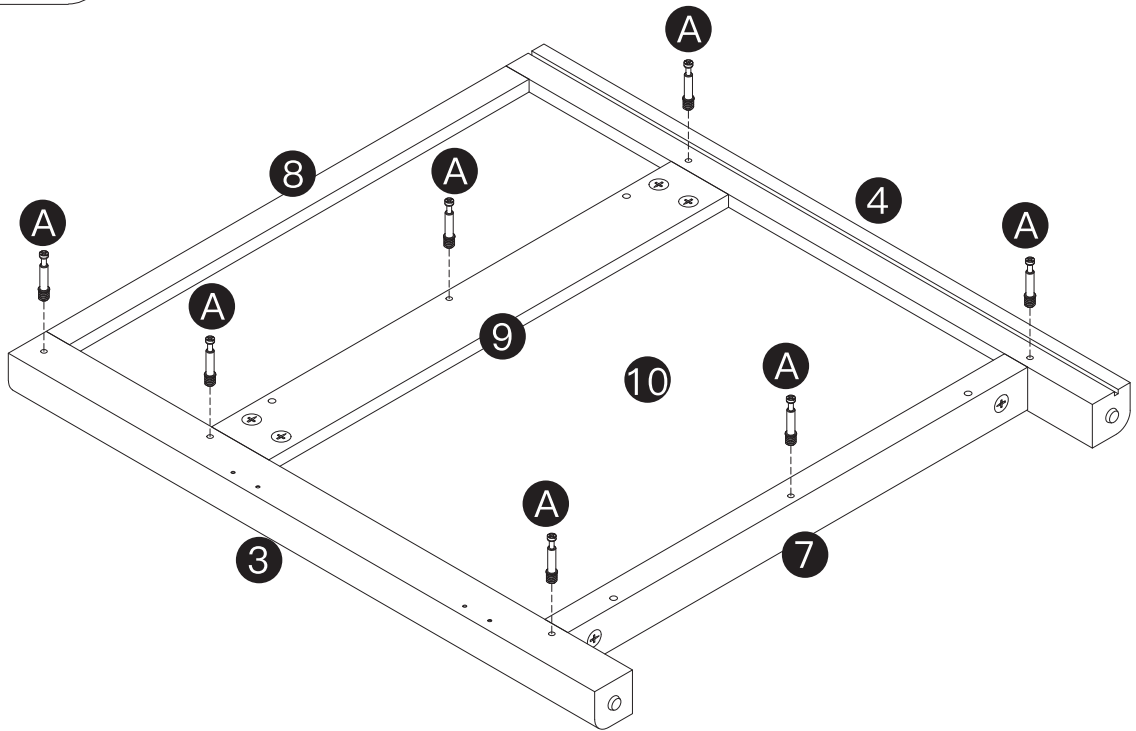


# STEP 5

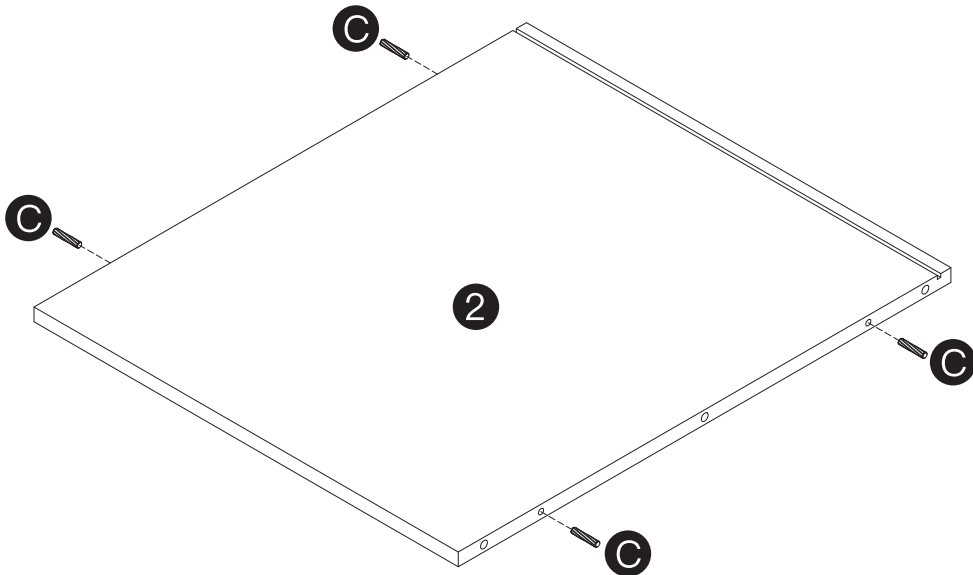
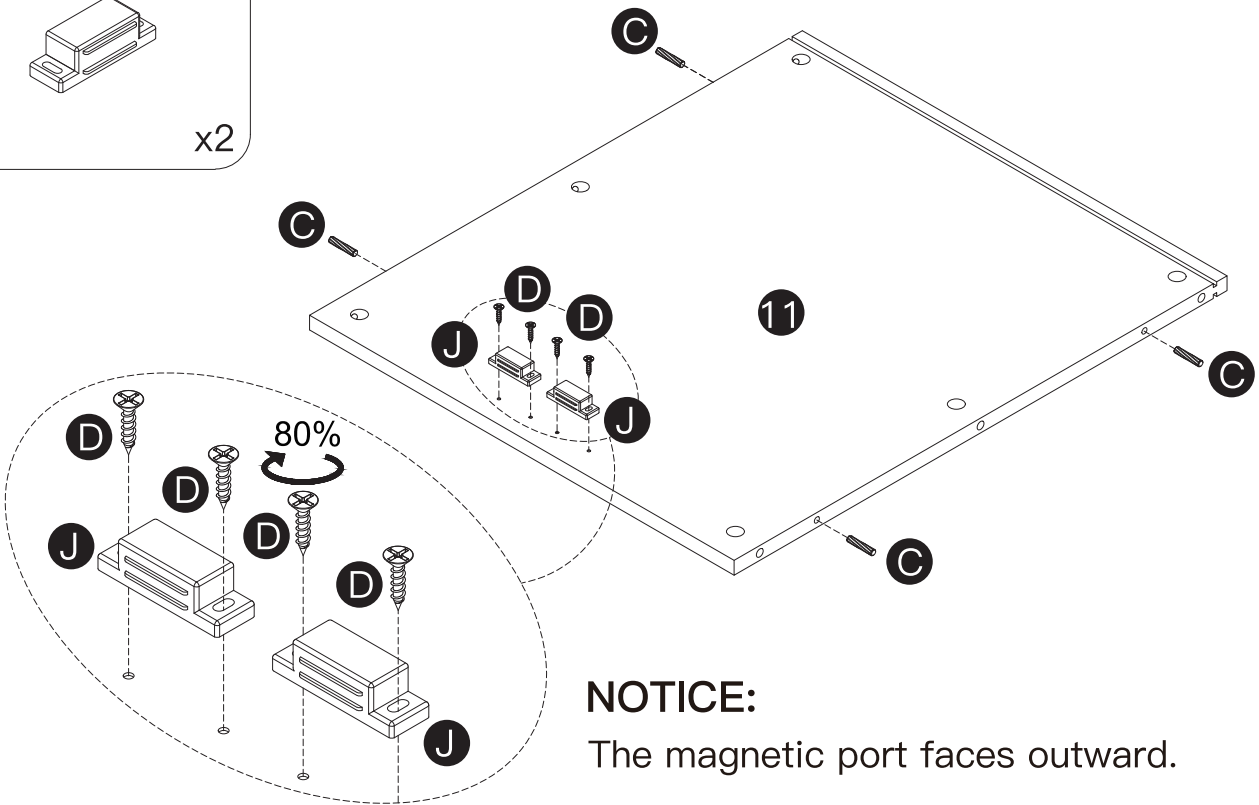
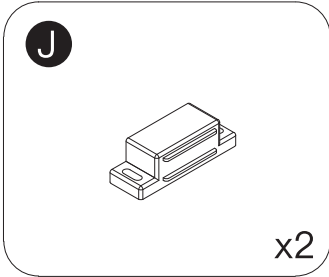
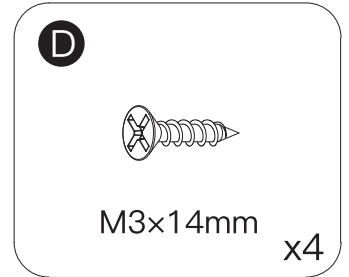
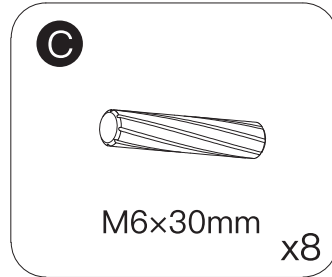
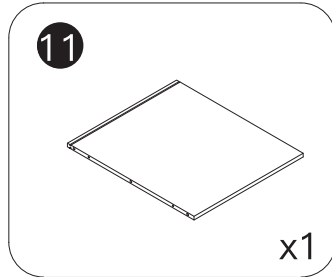
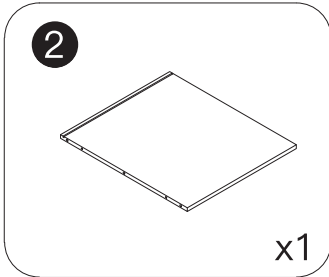
A



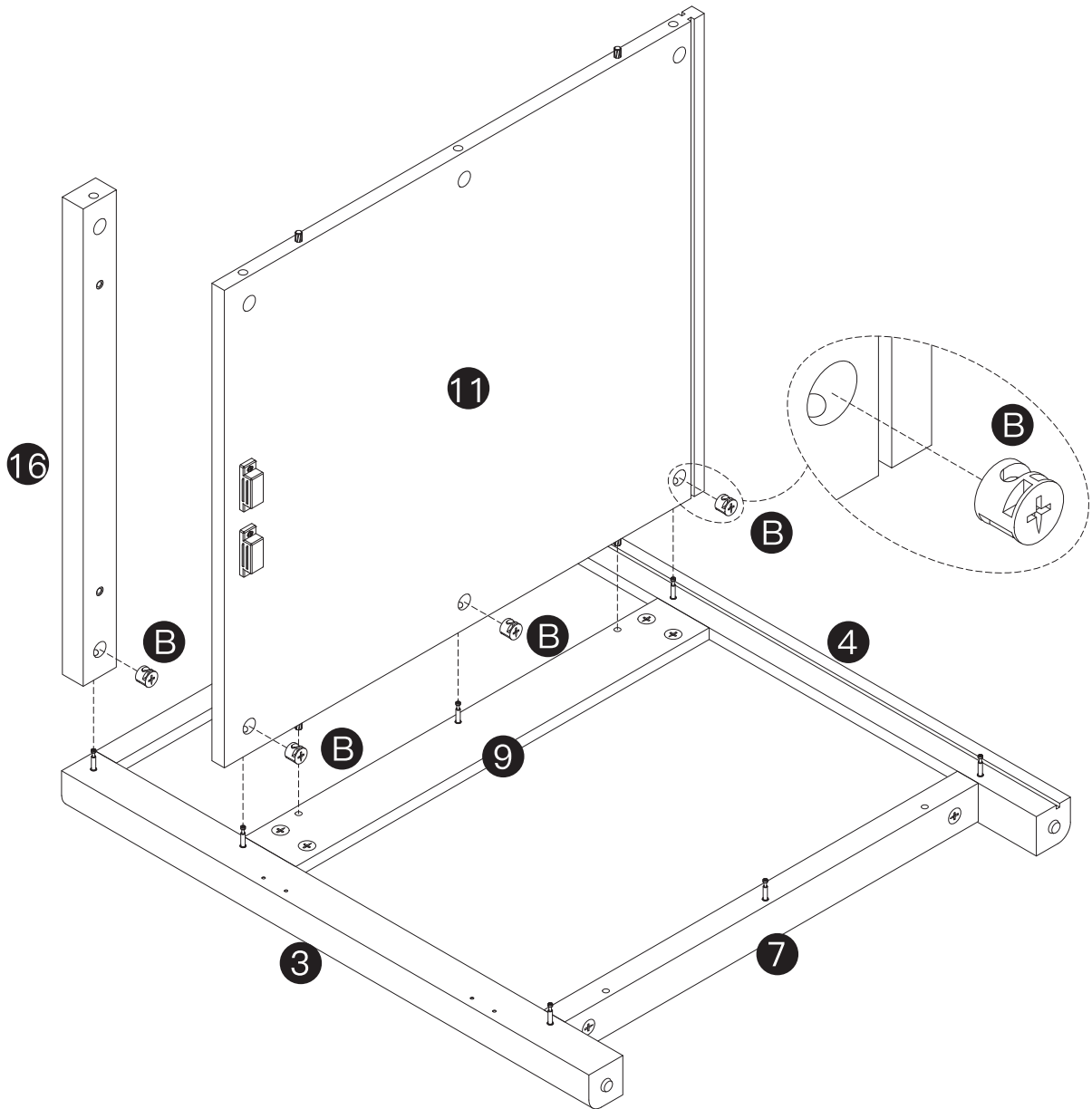
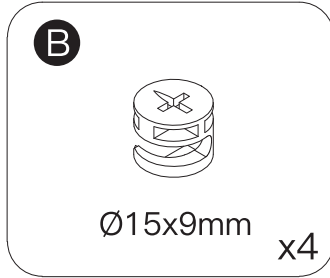
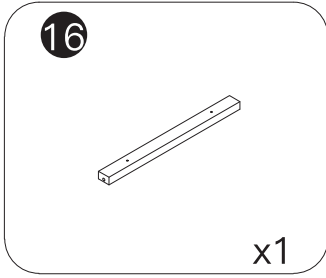
M6x35mm  
x14



# STEP 6



# STEP 7

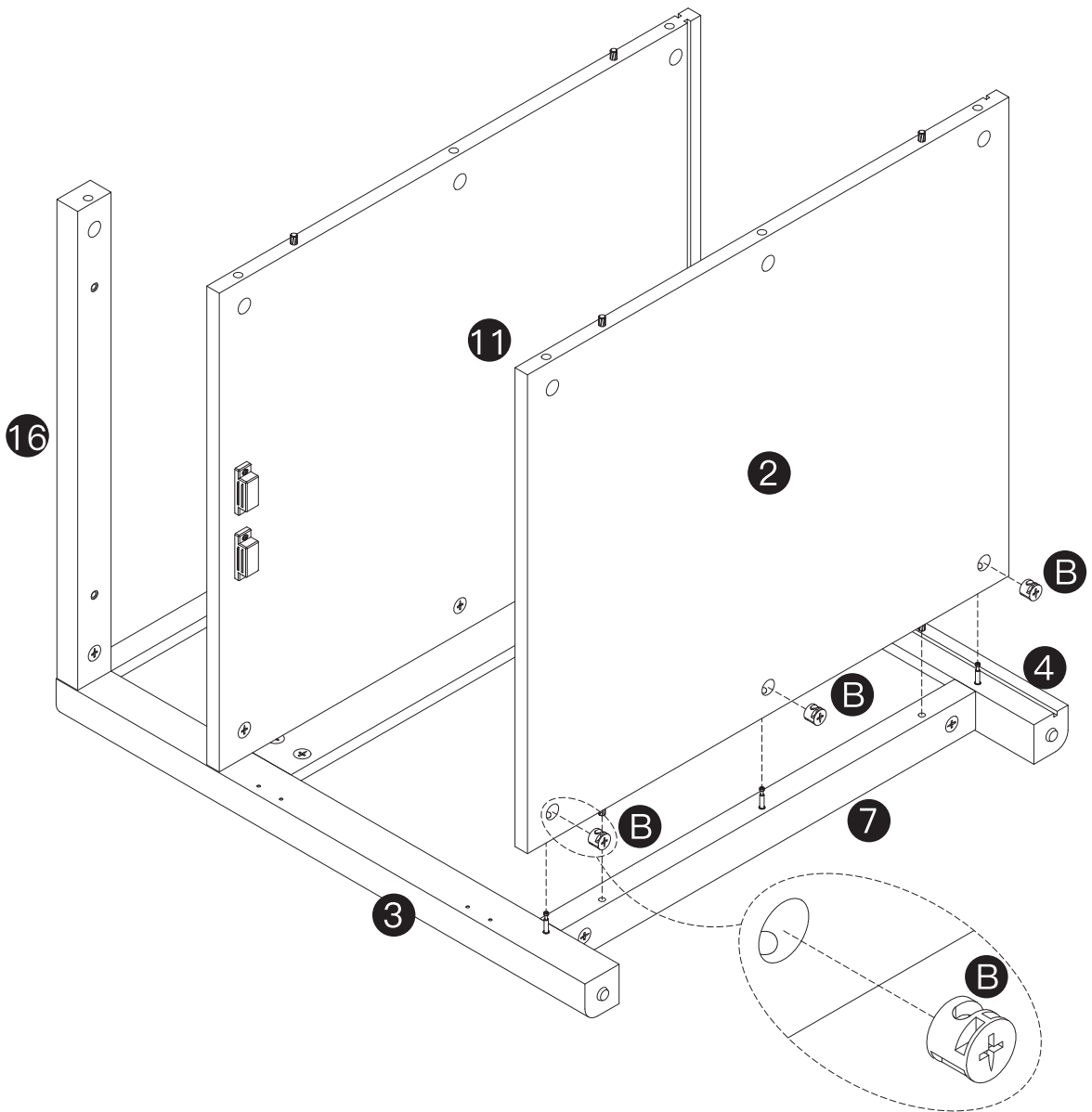


# STEP 8

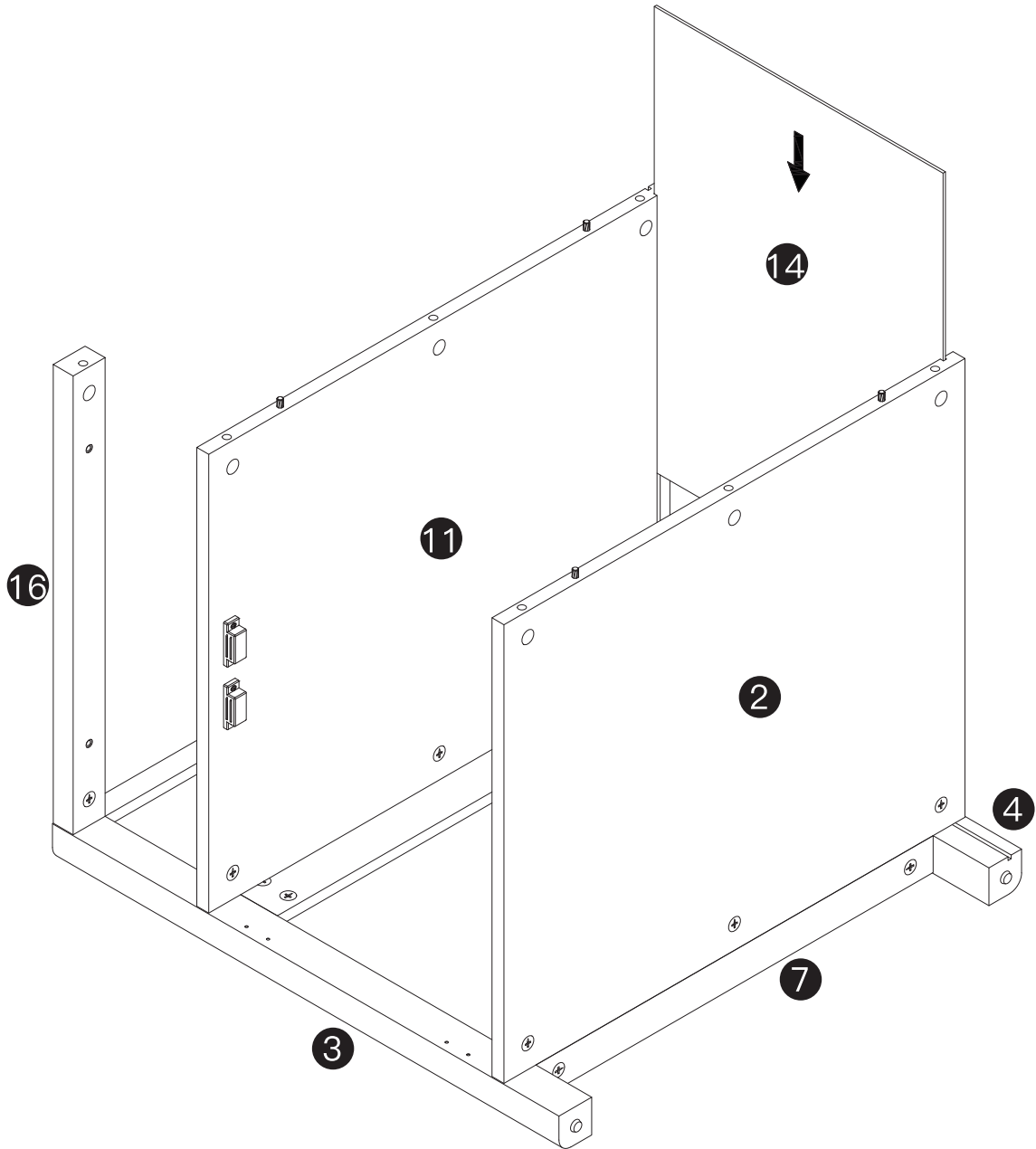
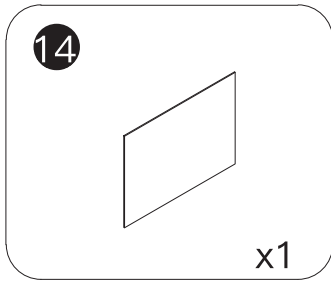
**B**



Ø15x9mm x3



# STEP 9



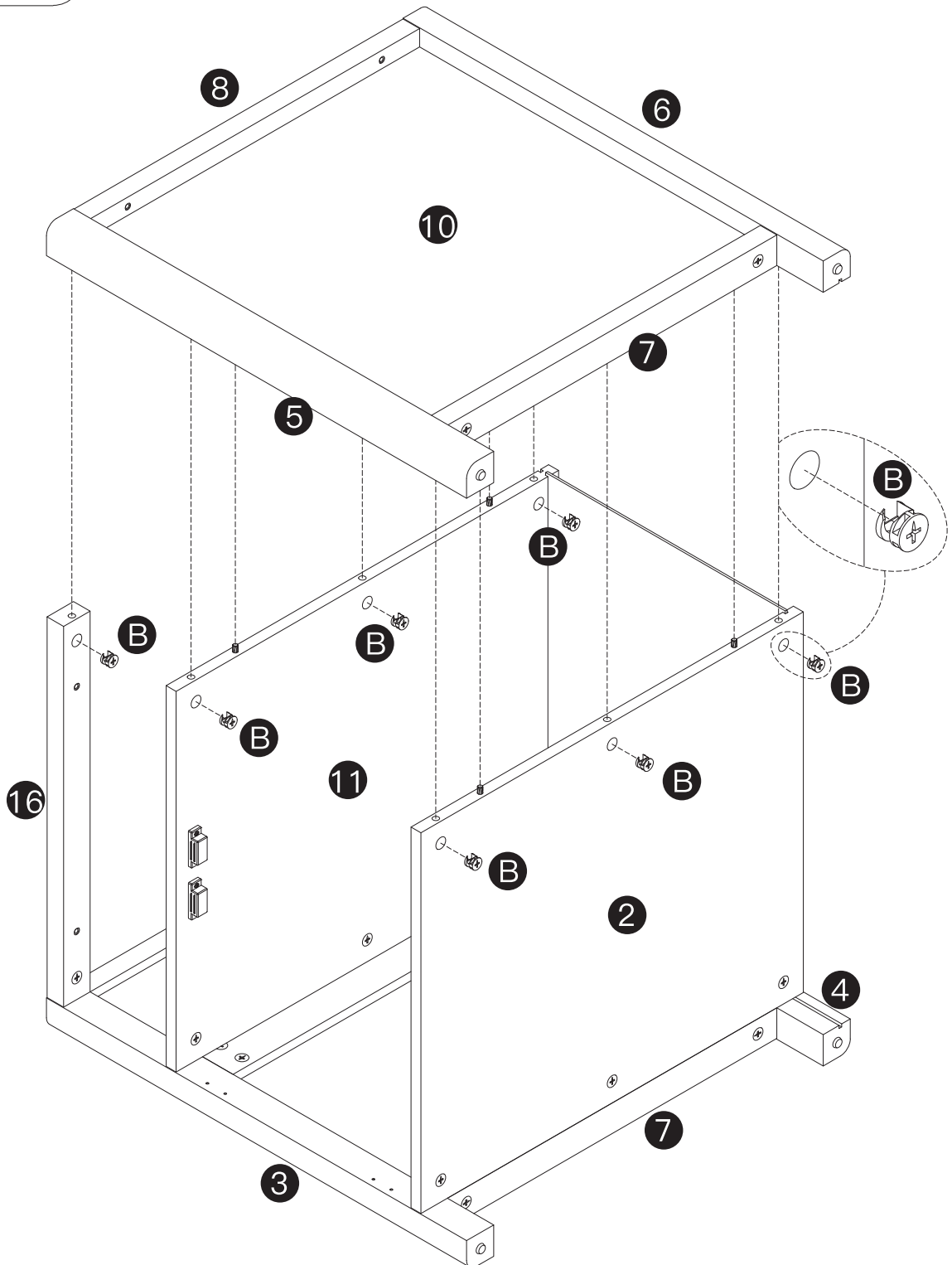
# STEP 10

**B**

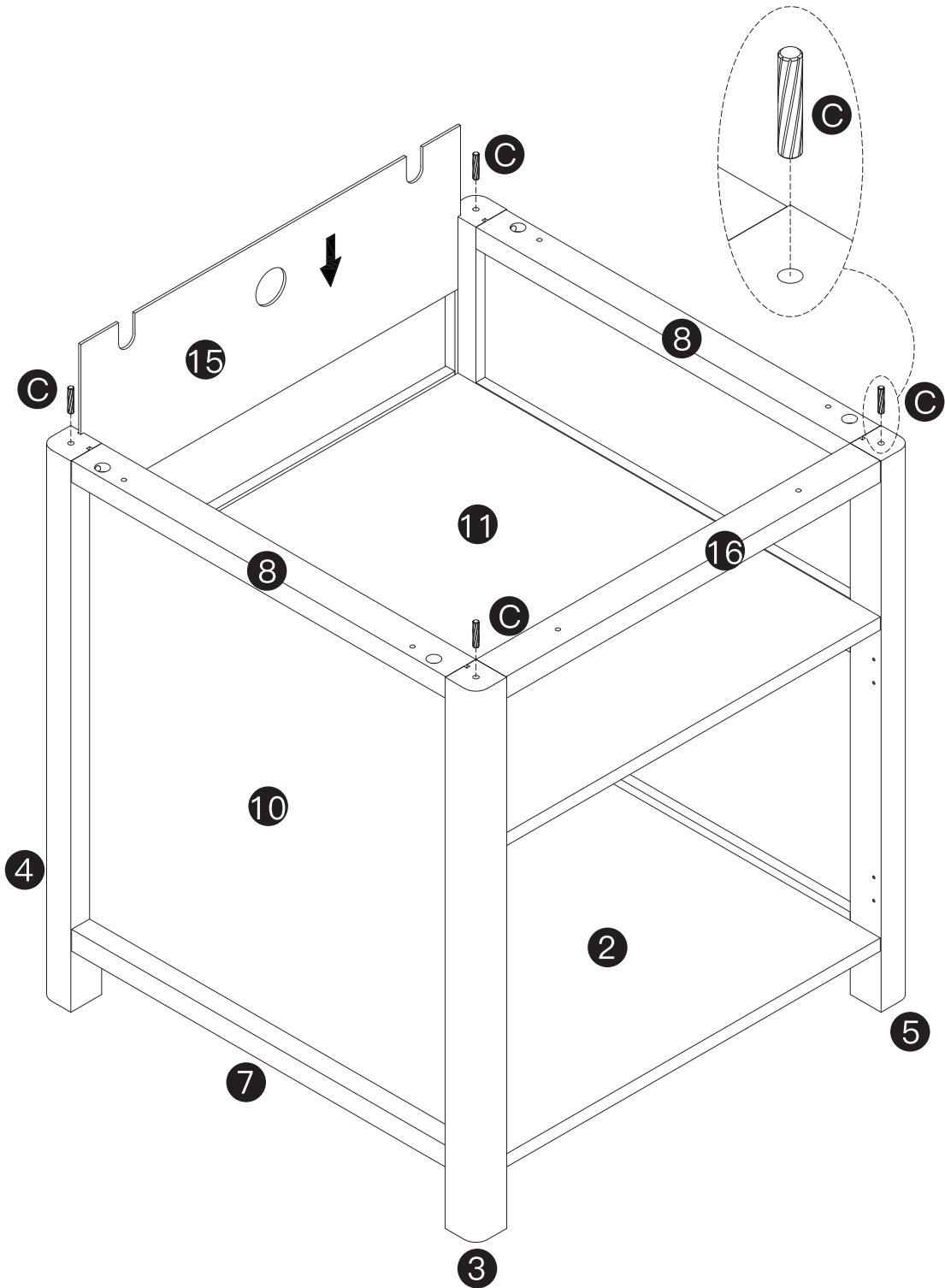
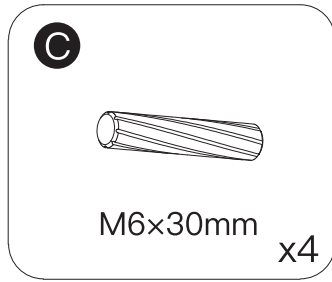
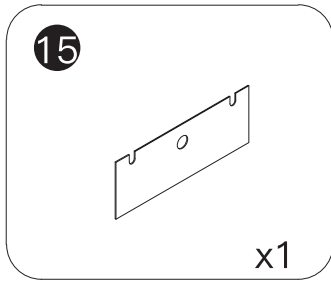


Ø15x9mm

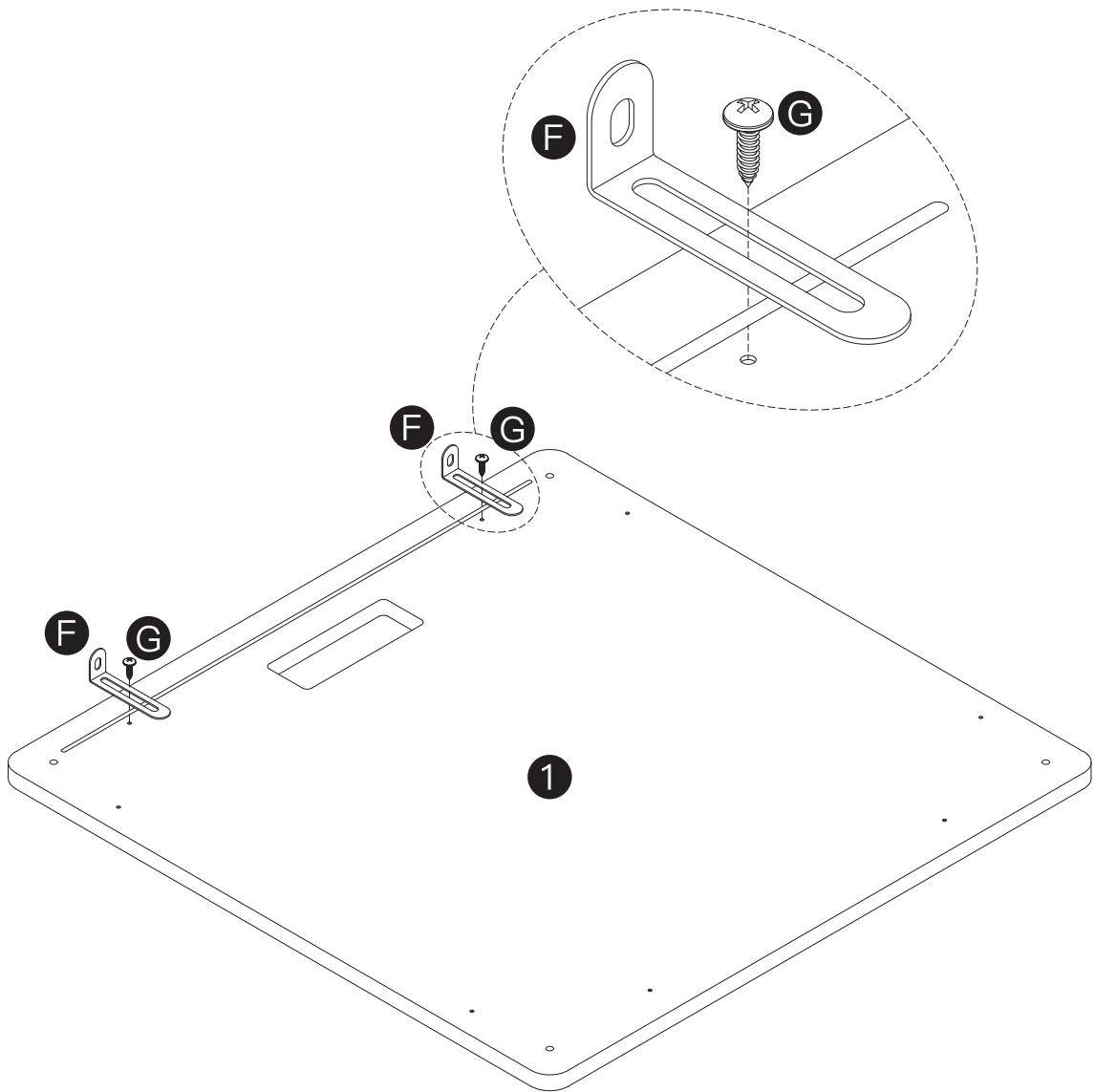
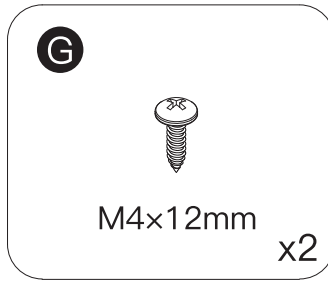
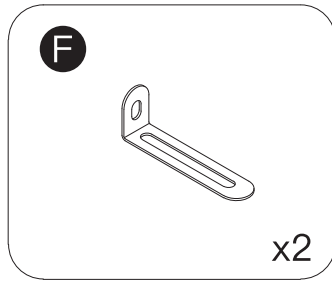
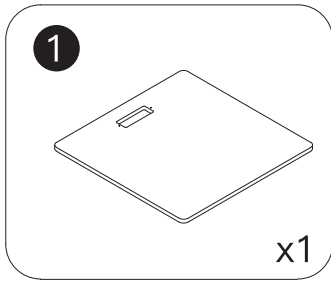
x7



# STEP 11



# STEP 12



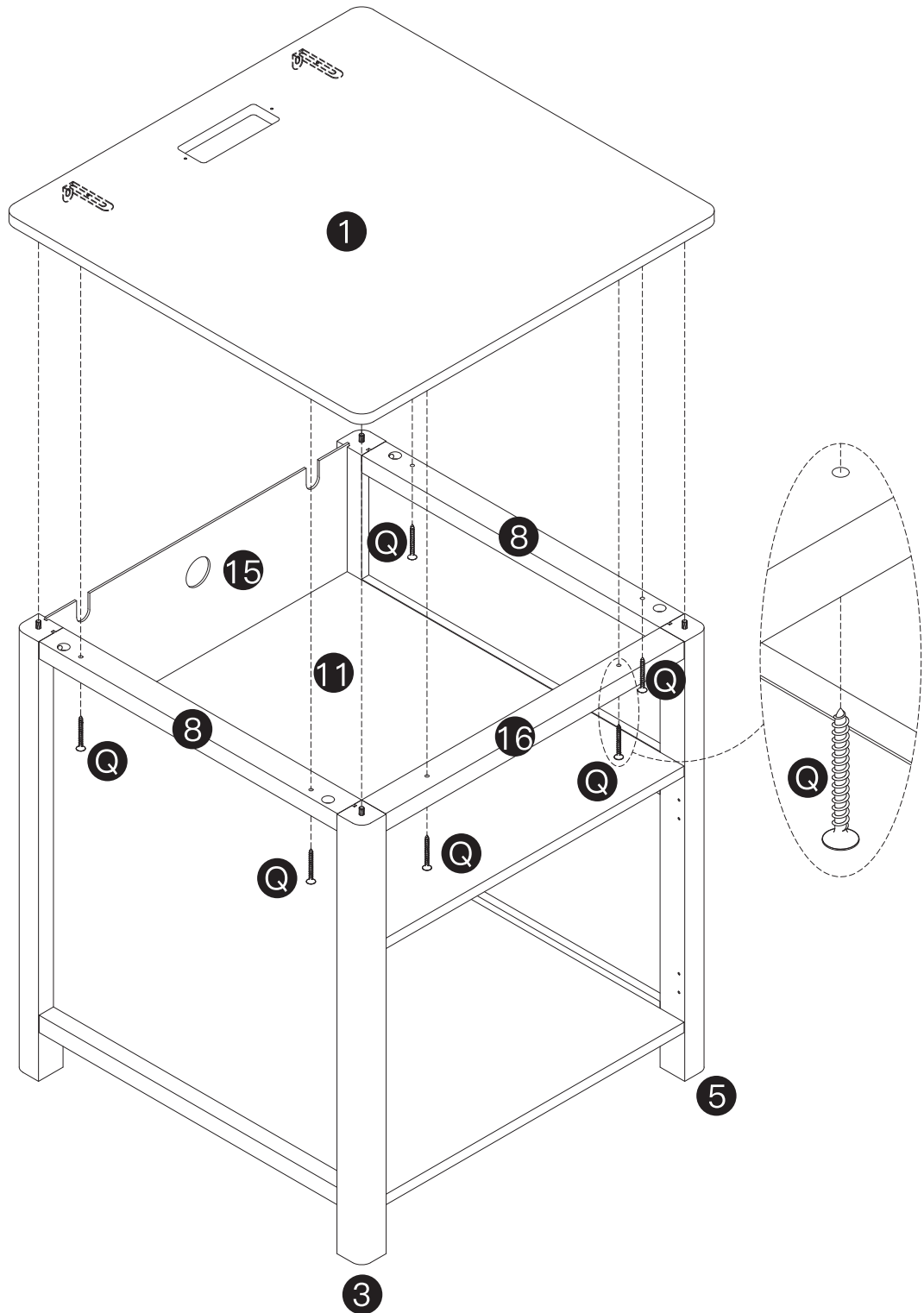
# STEP 13

Q

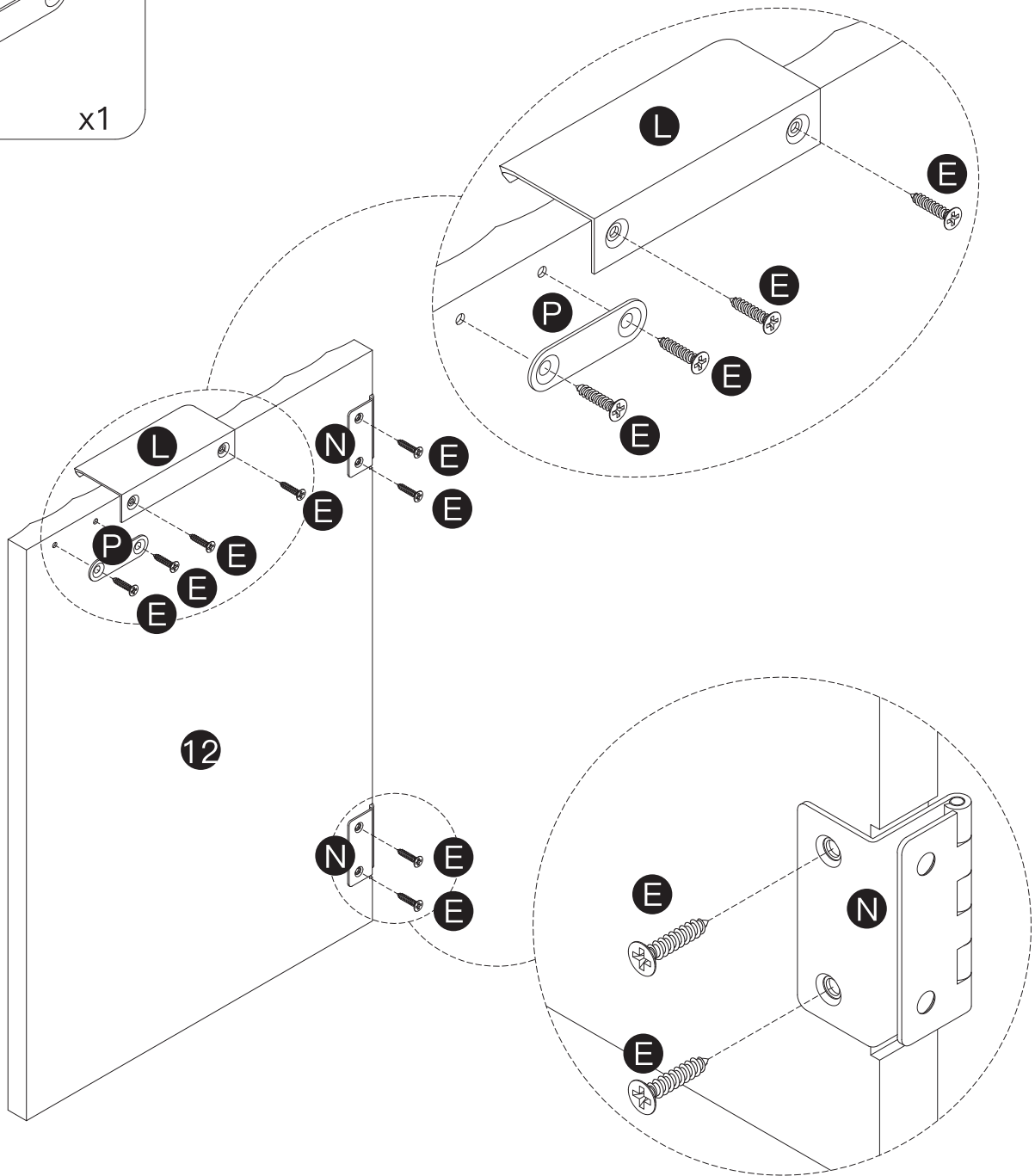
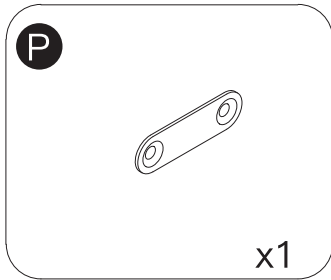
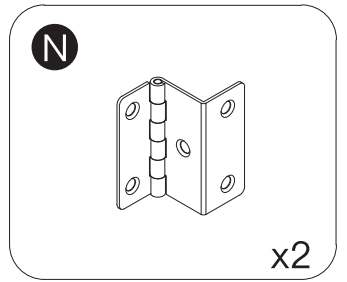
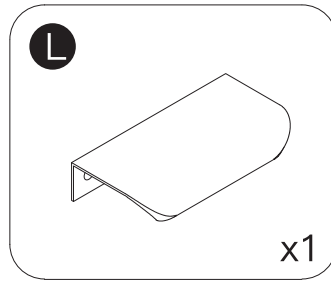
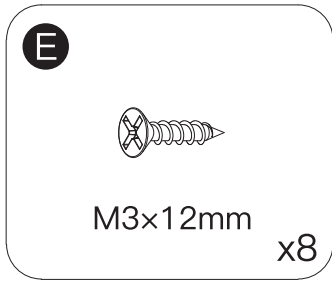
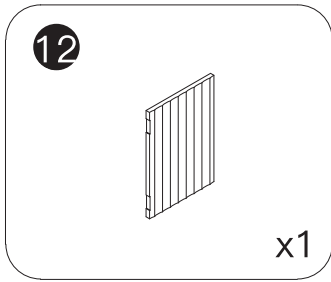


M4x35mm

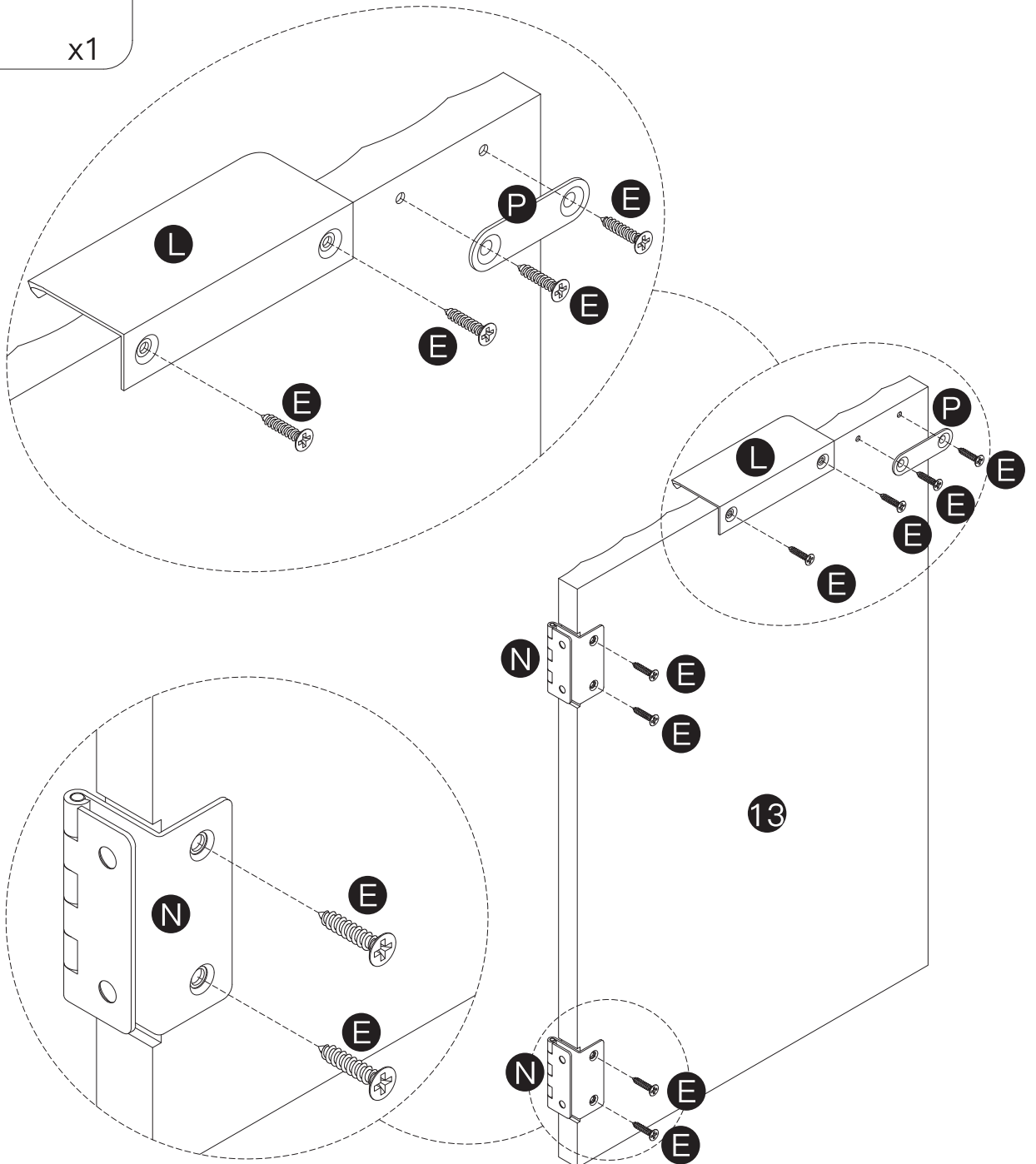
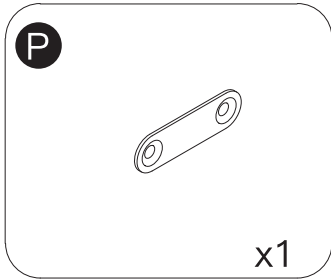
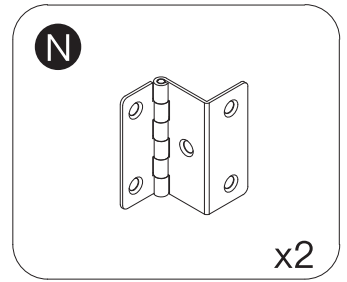
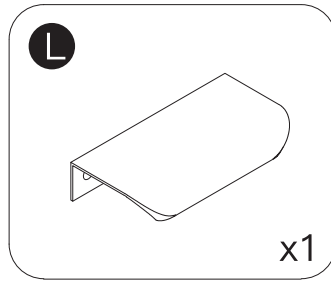
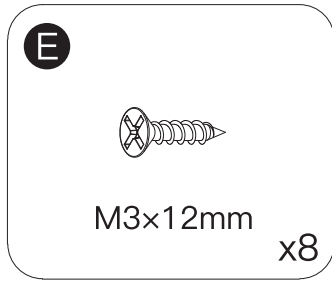
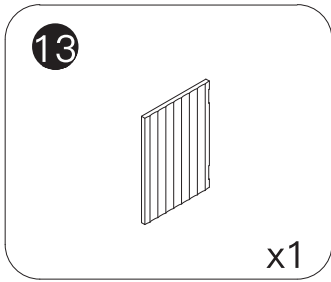
x6



# STEP 14



# STEP 15





# STEP 17

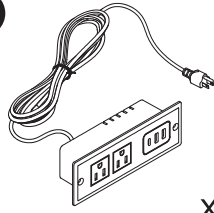
**E**



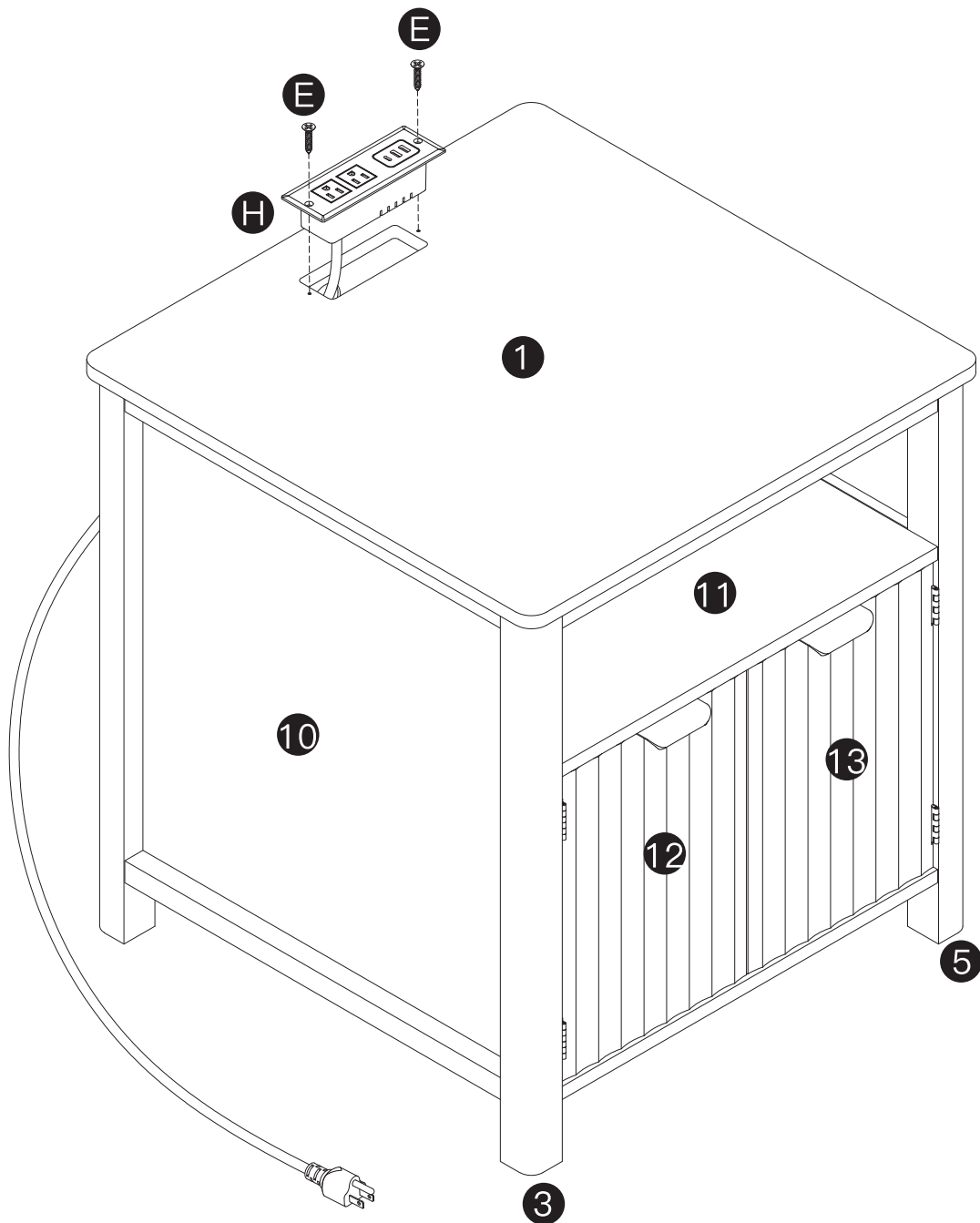
M3x12mm

x2

**H**

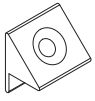


x1



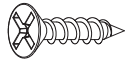
# STEP 18

M

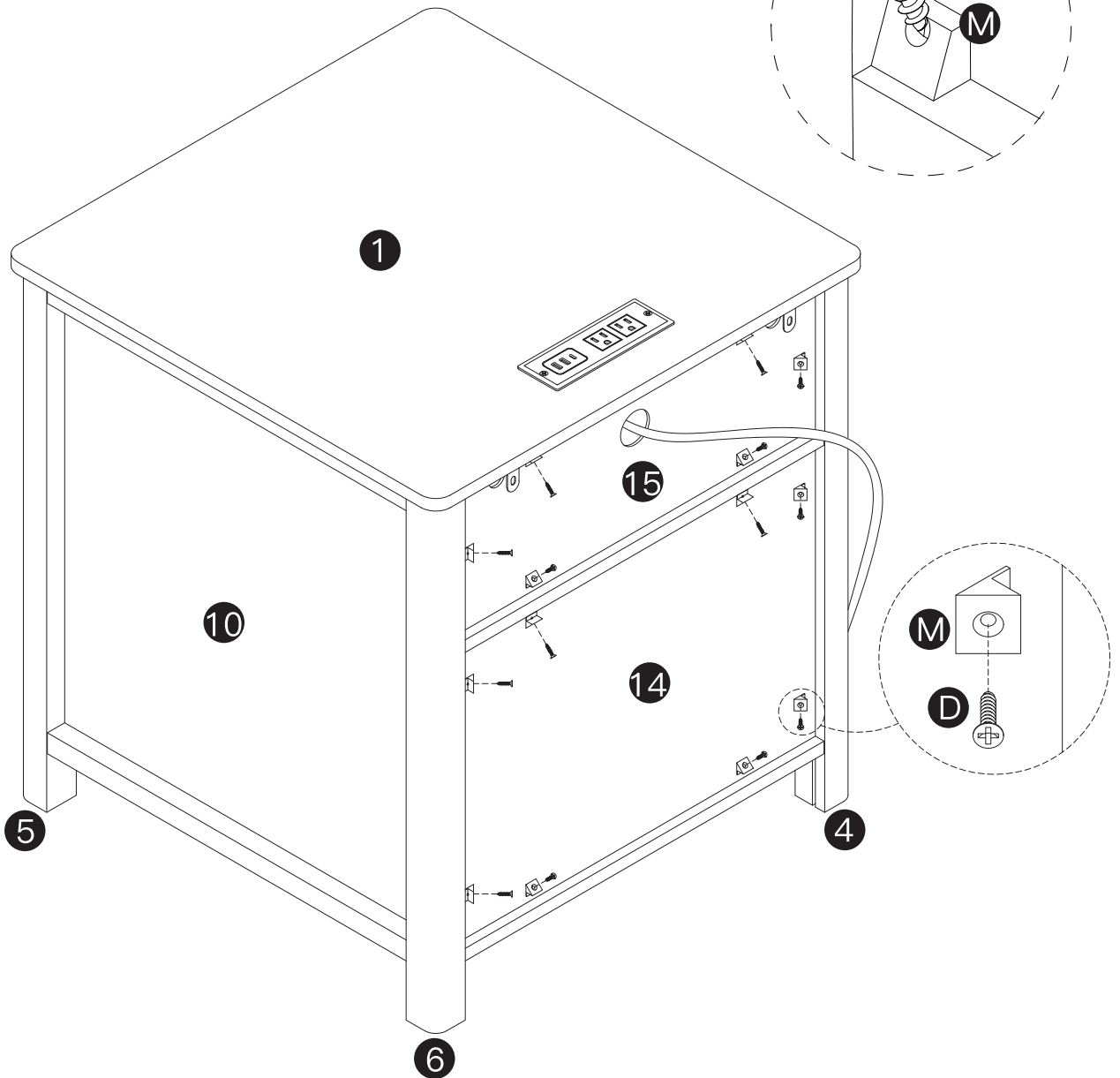
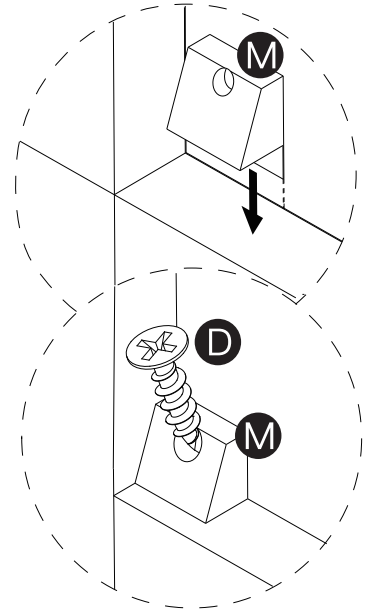


x14

D



M3x14mm  
x14



# STEP 19

Q



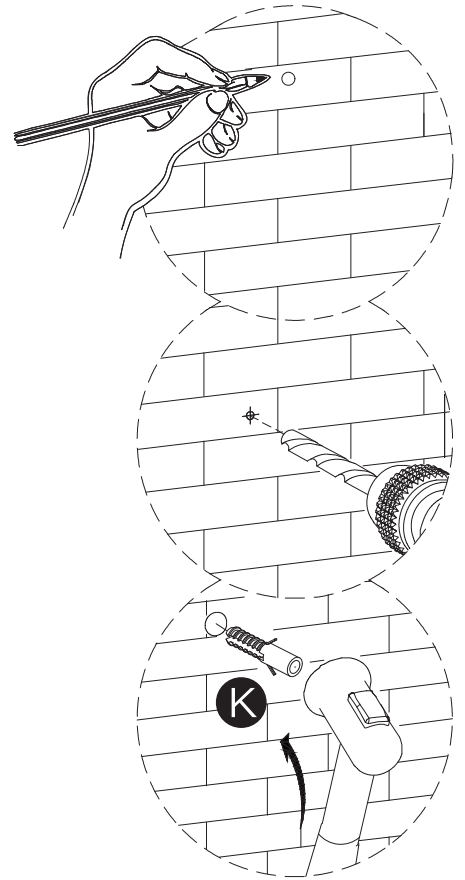
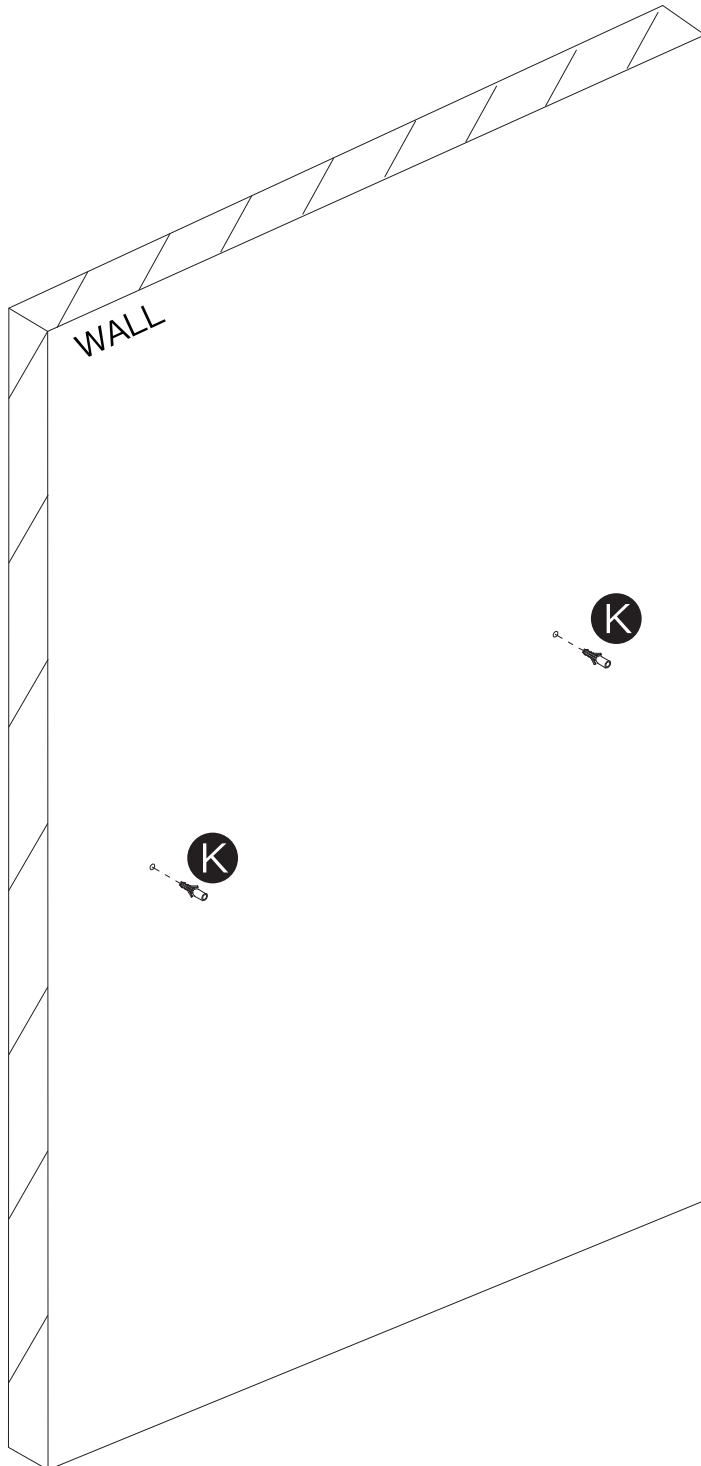
M4x35mm

x2

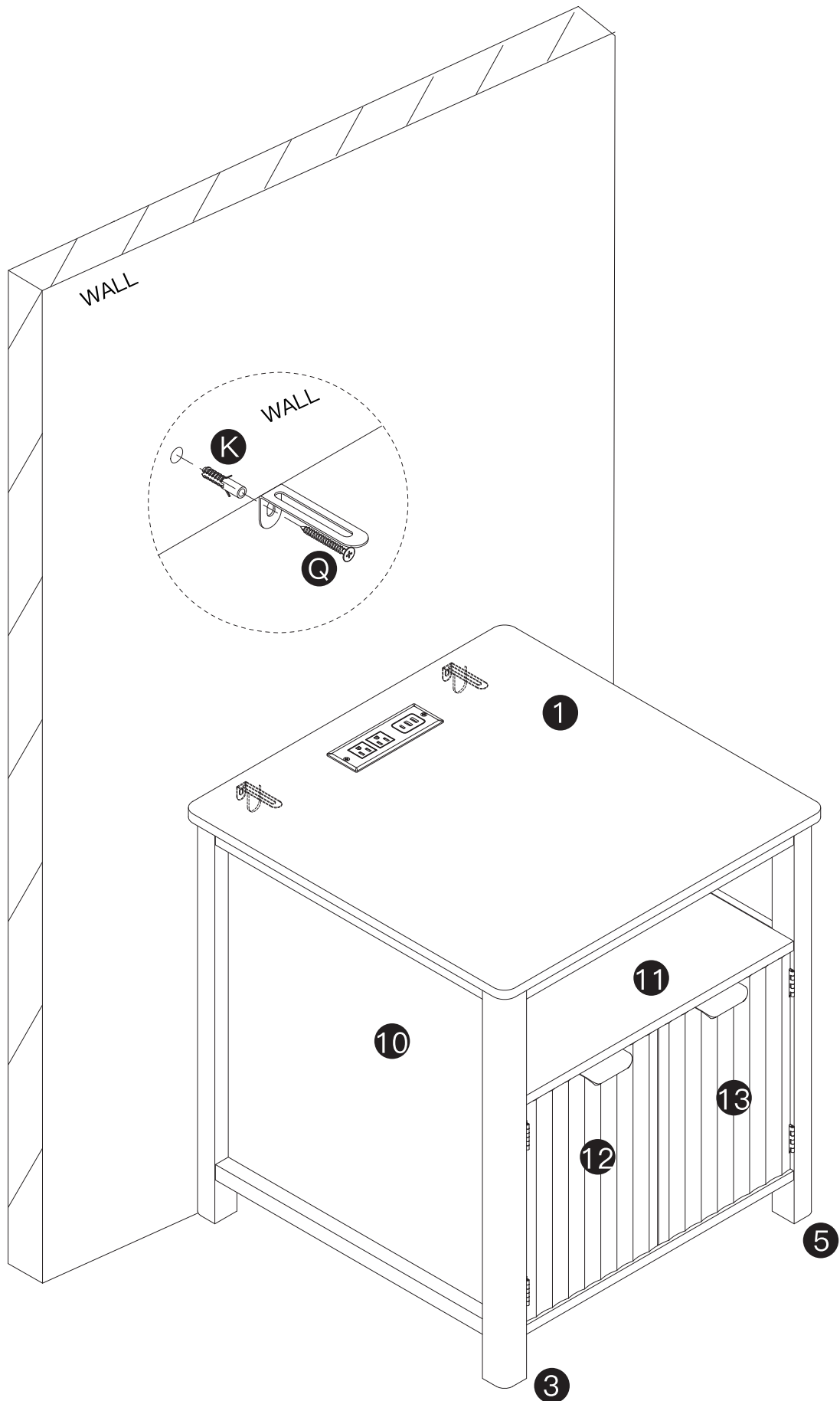
K



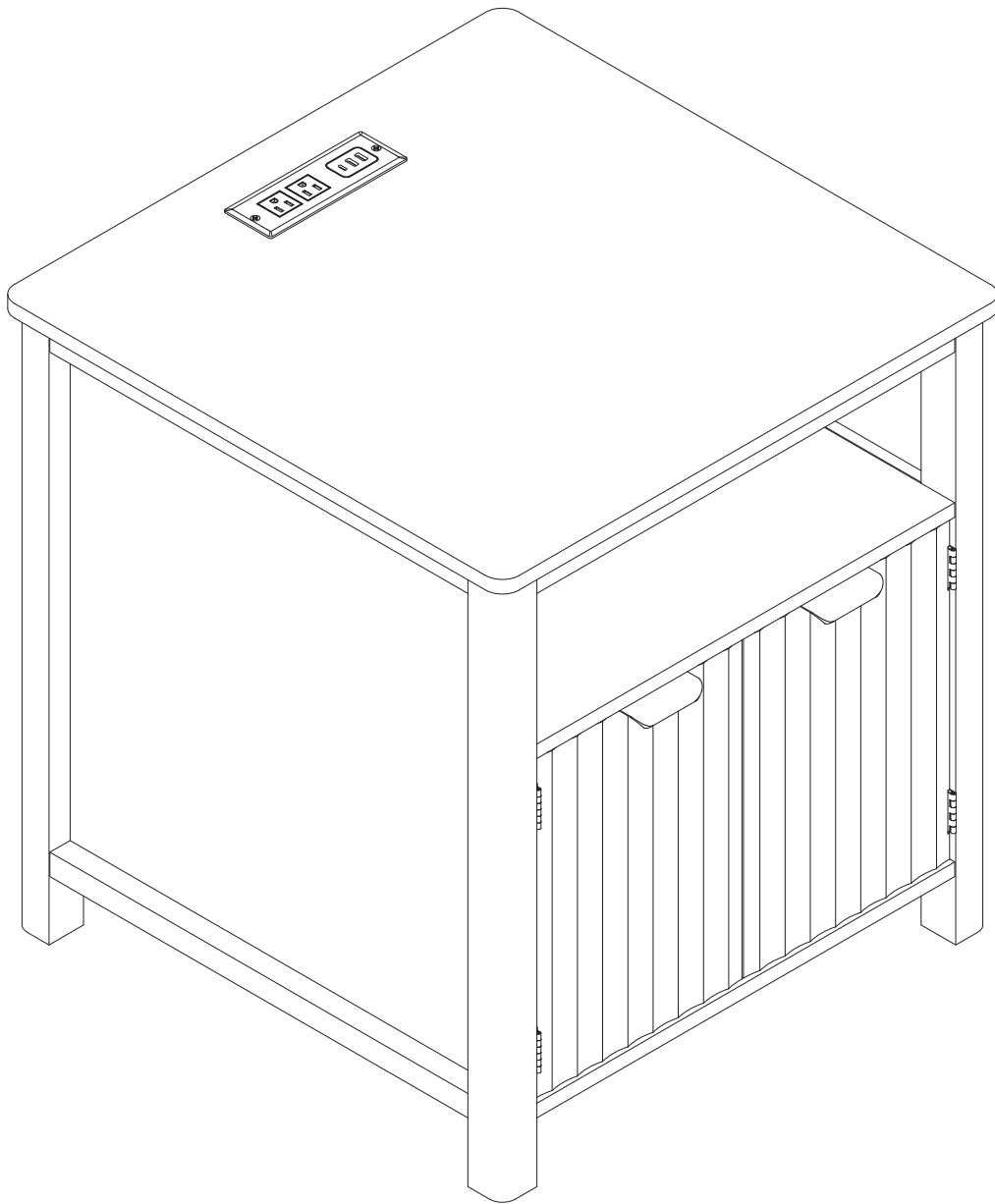
x2



# STEP 20



# STEP 21



## After-Sale Support

**Dear Customer,**

Thank you for choosing to purchase our products! We attach great importance to your shopping experience and hope to ensure that you are satisfied with this purchase.

Should you have any questions, please contact us through the original purchase platform. We will reply your messages as soon as possible, please kindly wait for the response from our team.

Thank you again for your understanding and support! If you have any other questions, please feel free to contact us at any time.

Best Regards,  
After sales service team