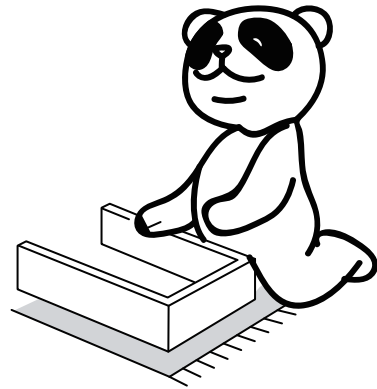
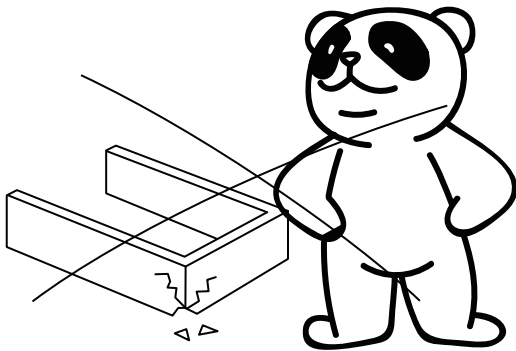
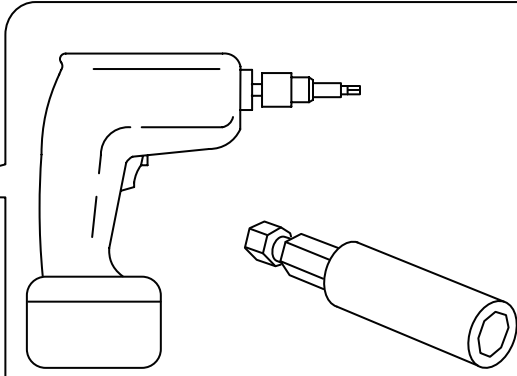
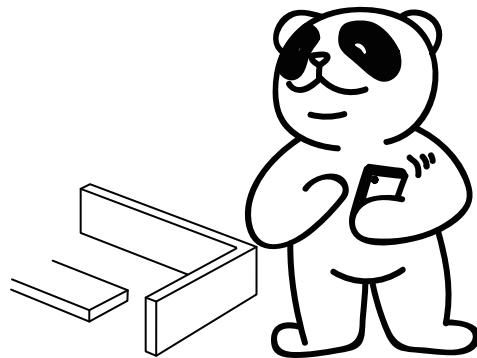
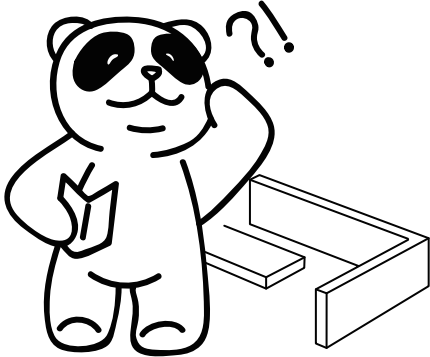


T-B742Q/F

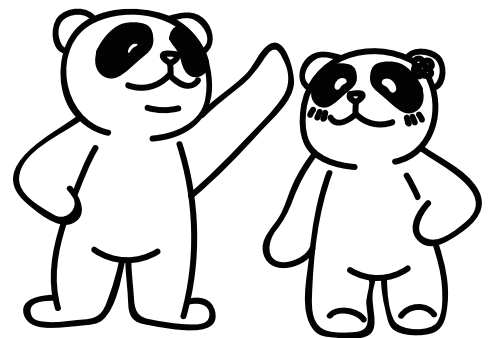
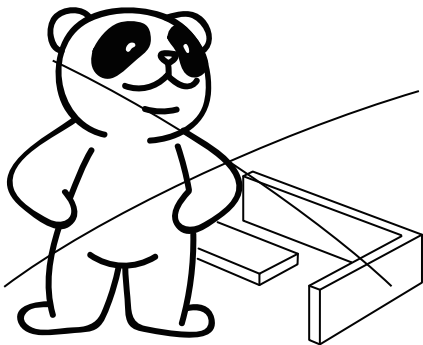
Version: 1.0



Violent installation is prohibited

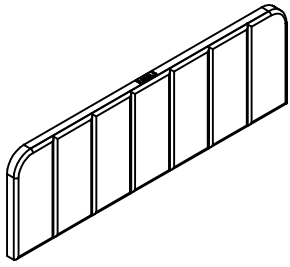


Please call if you need help

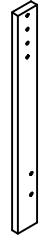


Multi-person cooperation is recommended

Assembly Instruction



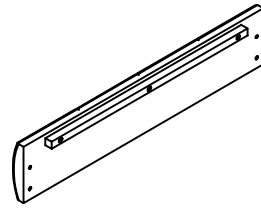
1
x1



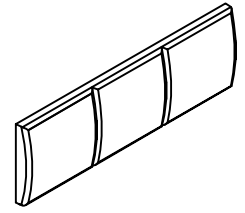
2
x1



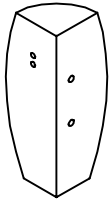
3
x1



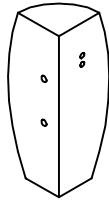
4
x4



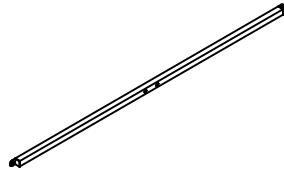
5
x2



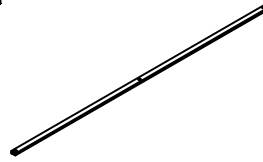
6
x1



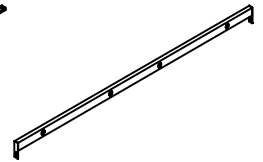
7
x1



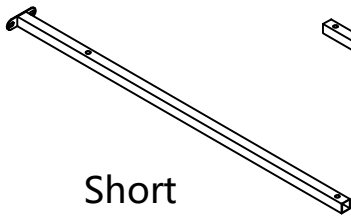
8
x1



9
x1

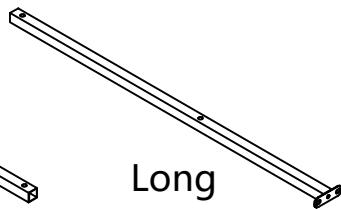


10
x1



11
x1

Short

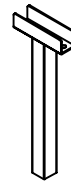


12
x1

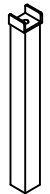
Long



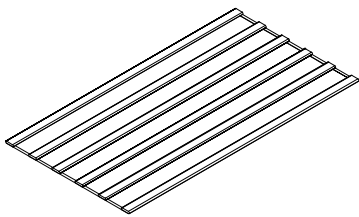
13
x2



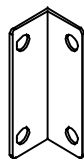
14
x1



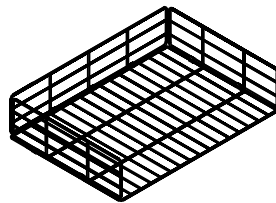
15
x2



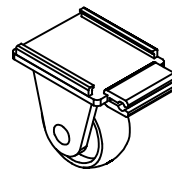
16
x2



17
x4



18
x2



20
x8

Assembly Instruction



A

M6*15

x4+1



C

M8*15

x34+2



D

M8*25

x2



E

M8*35

x4+1



F

M8*50

x1



G

M8*45

x4+1



H

M8*20

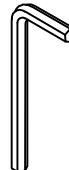
x8+1



N

M6

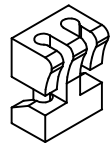
x1



O

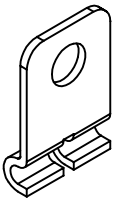
M8

x1



P

x4+1



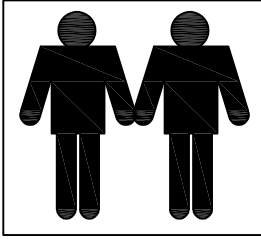
Q

x8+1

Assembly Instruction

Note:

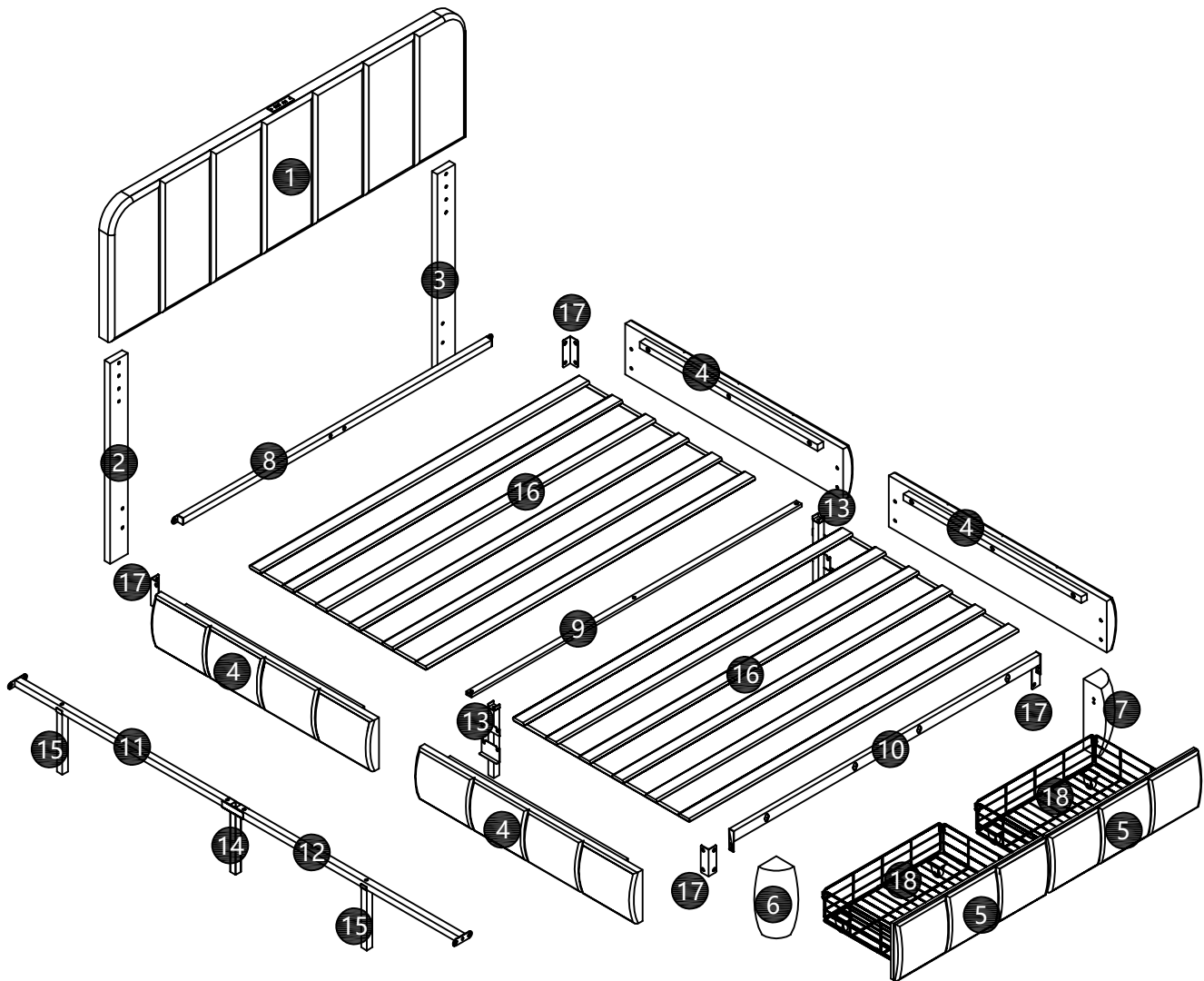
1. Should be assembled on flat ground to keep balance.
2. Before completing the installation, do not tighten the screws.



It needs at least two people to install !!

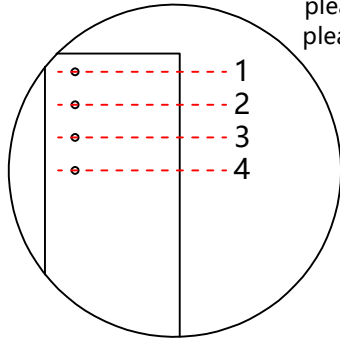


Before starting the assembly, you must read the whole manual and follow the instructions



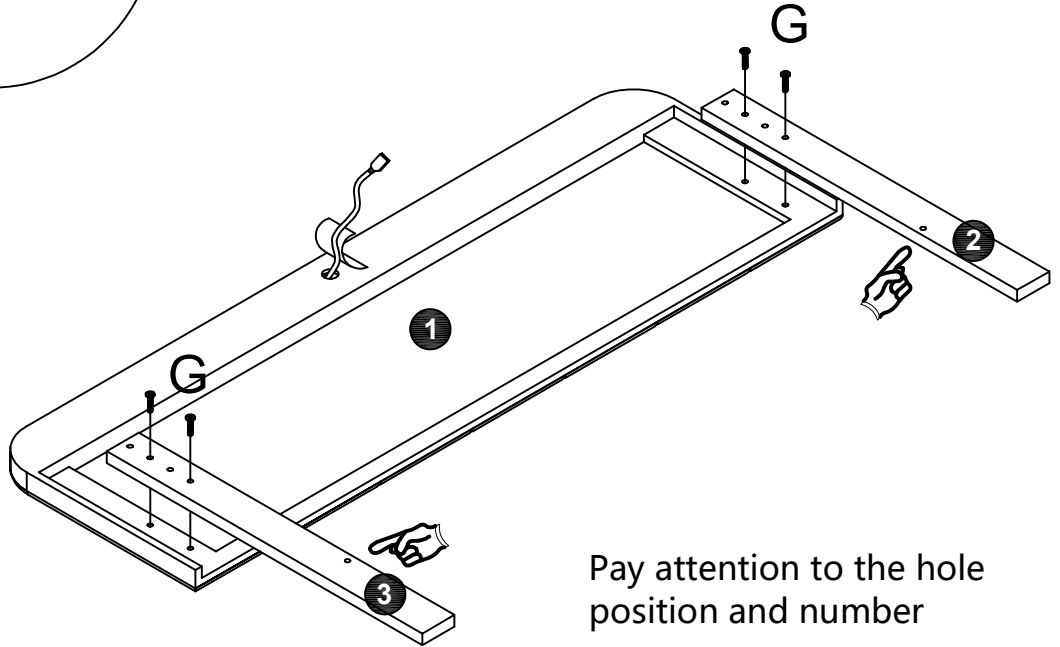
Assembly Instruction

1



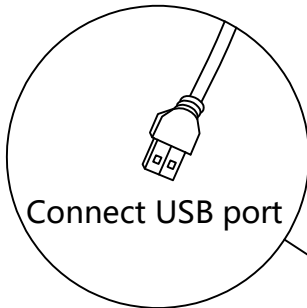
please lock position 2 and 4 for normal height
please lock position 1 and 3 for heightening

G M8*45

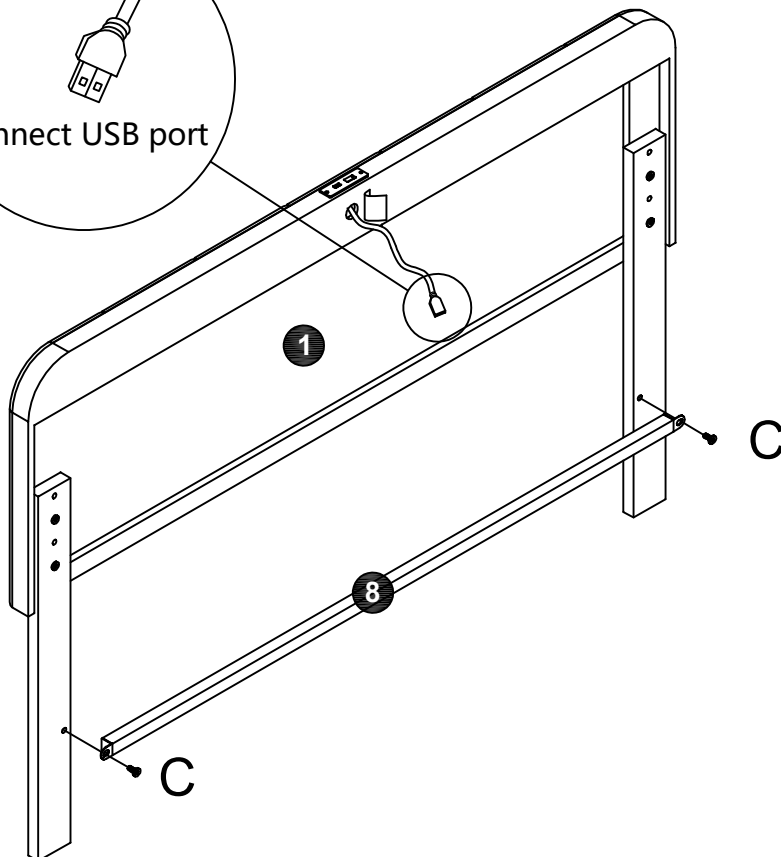
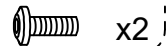


Pay attention to the hole position and number

2



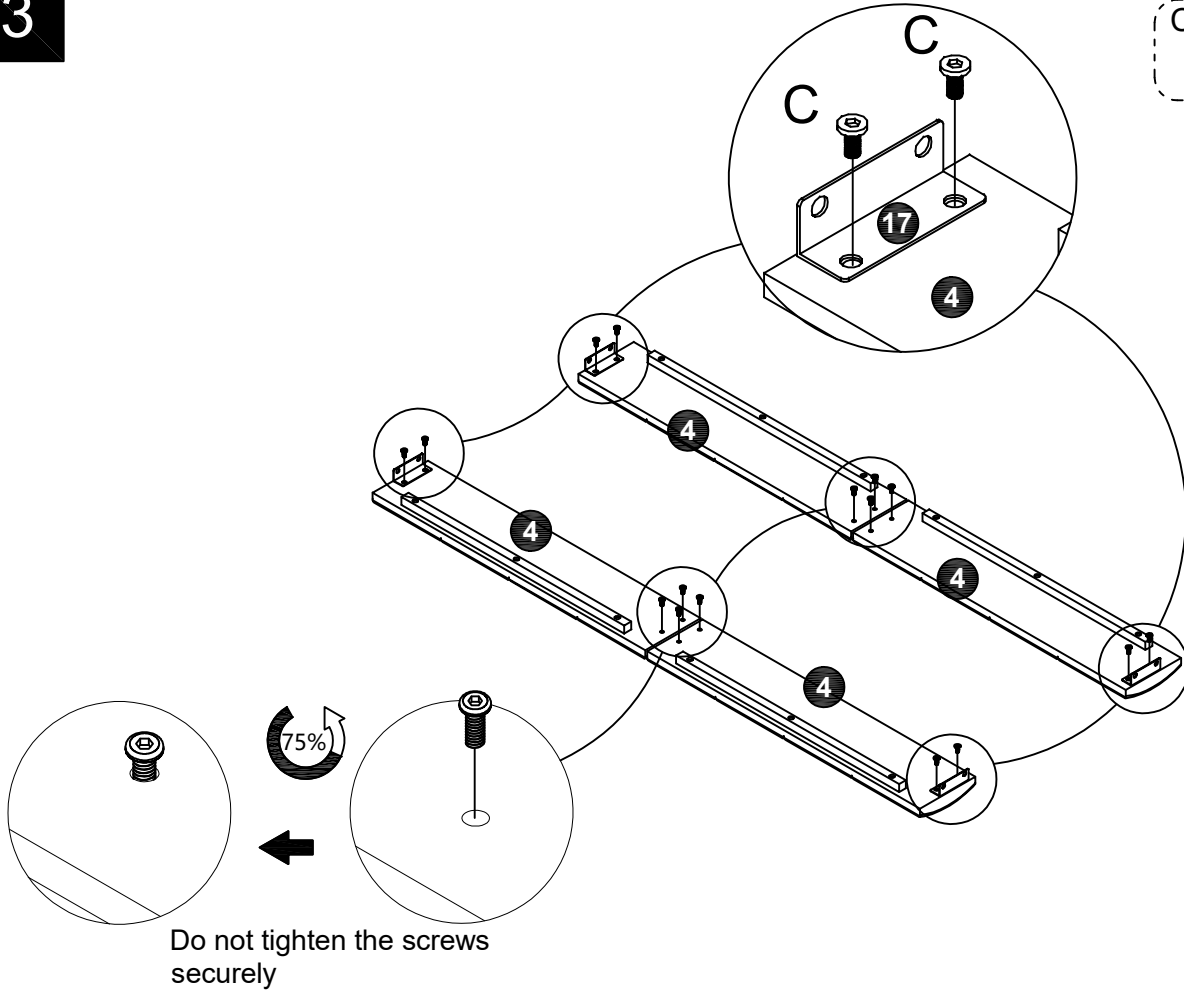
C M8*15



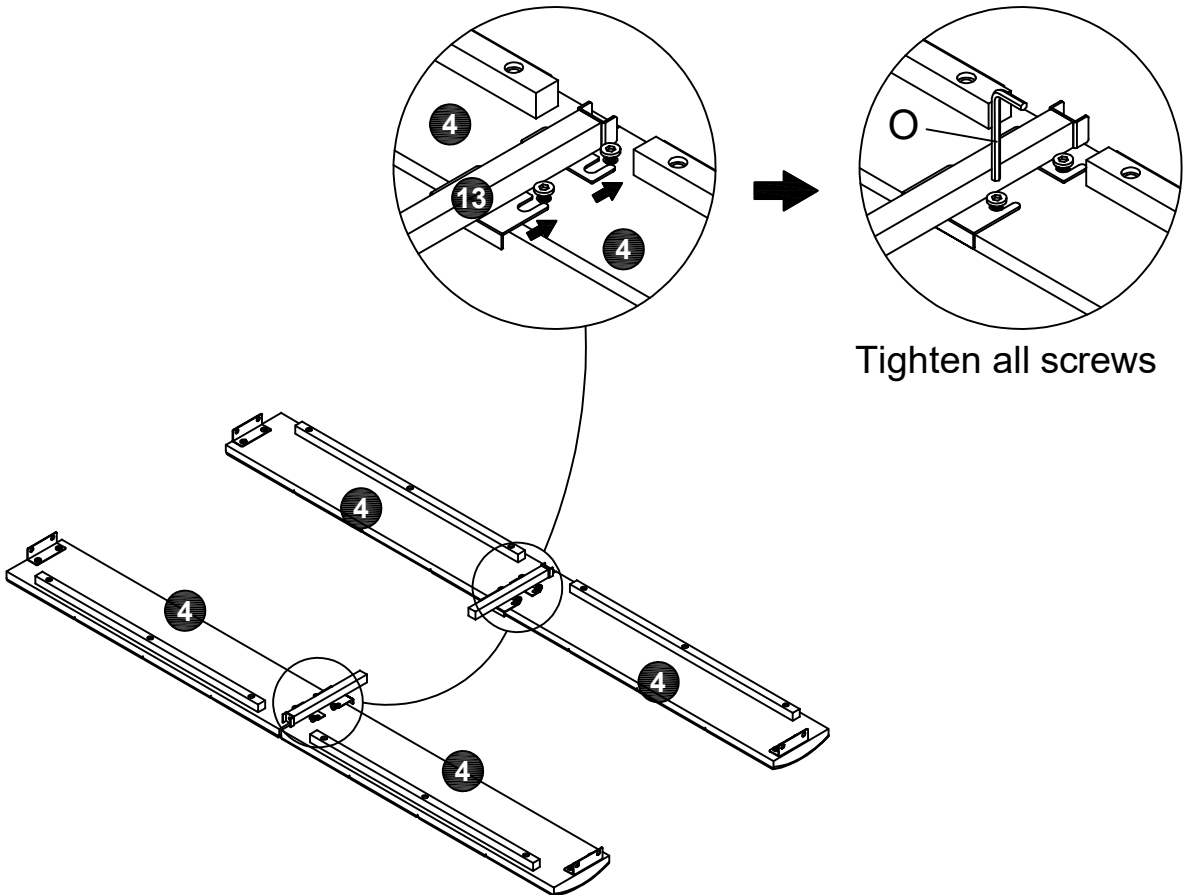
Assembly Instruction

3

C M8*15
x16



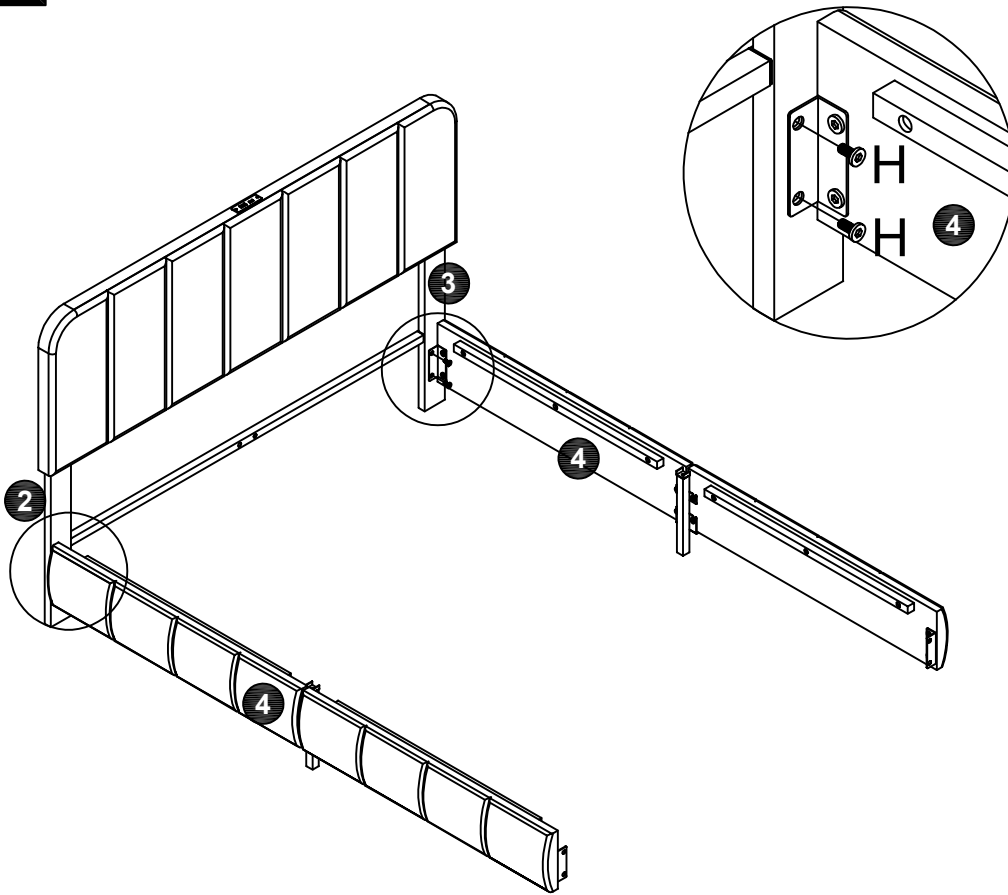
4



Assembly Instruction

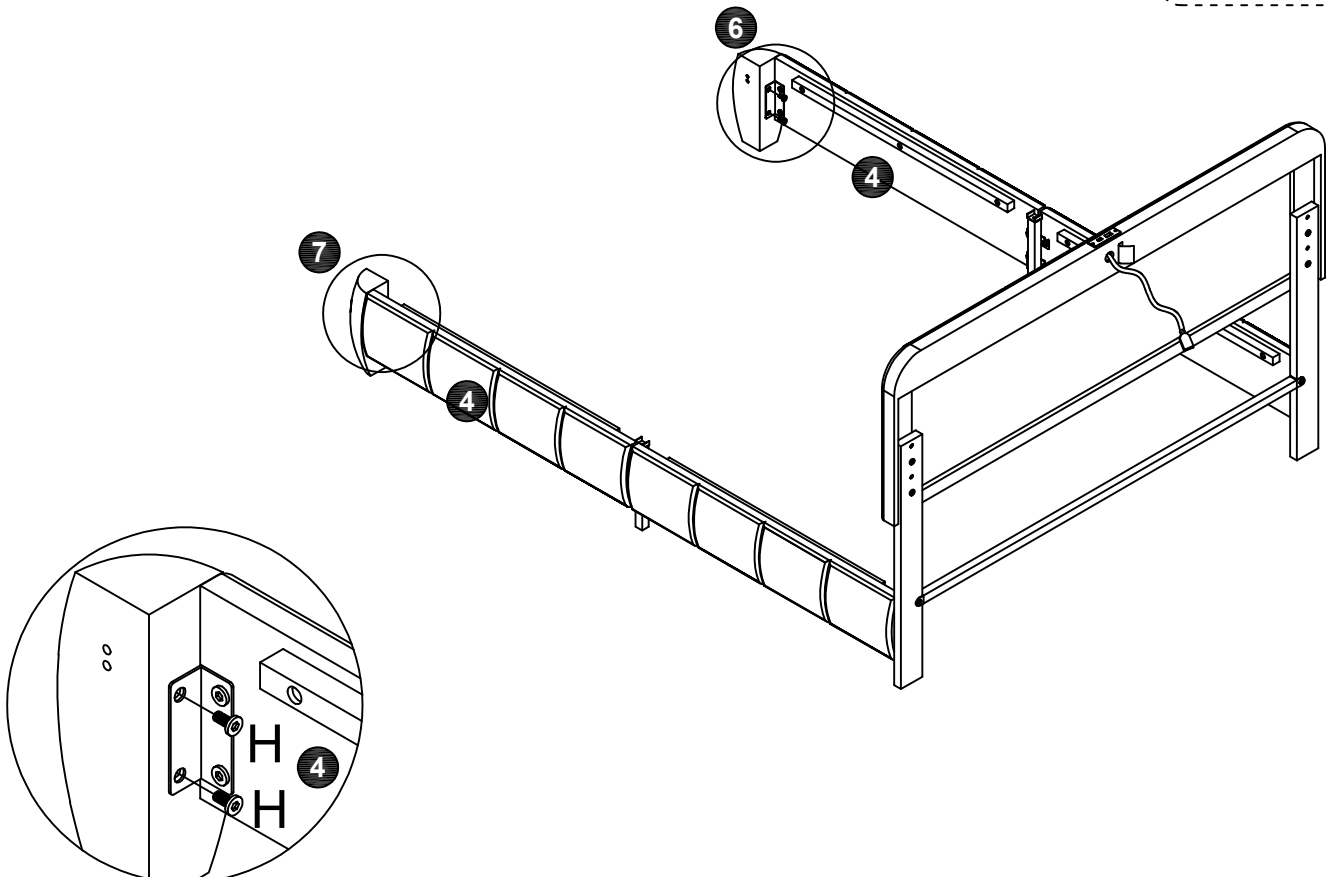
5

H M8*20
x4



6

H M8*20
x4

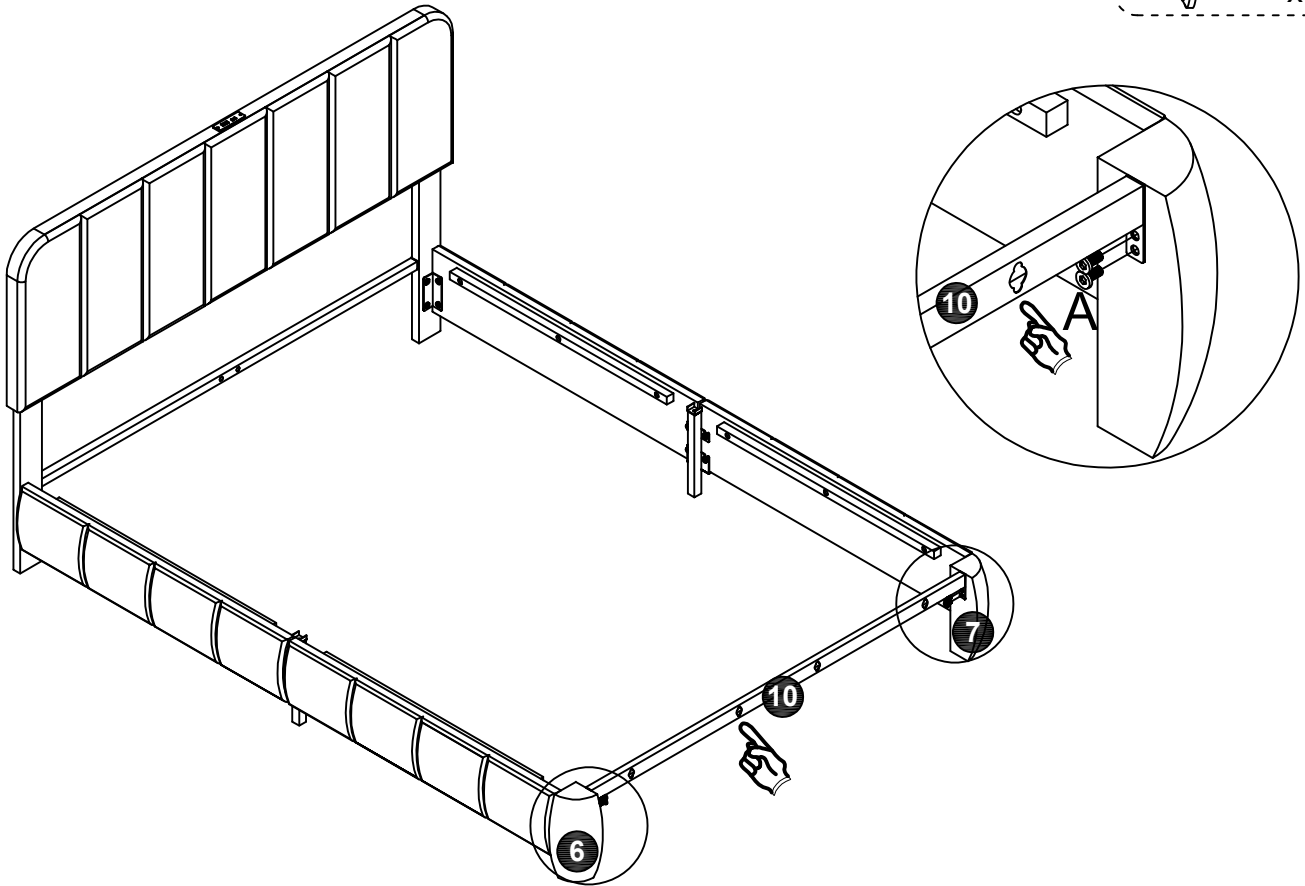


Assembly Instruction

7

A M6*15

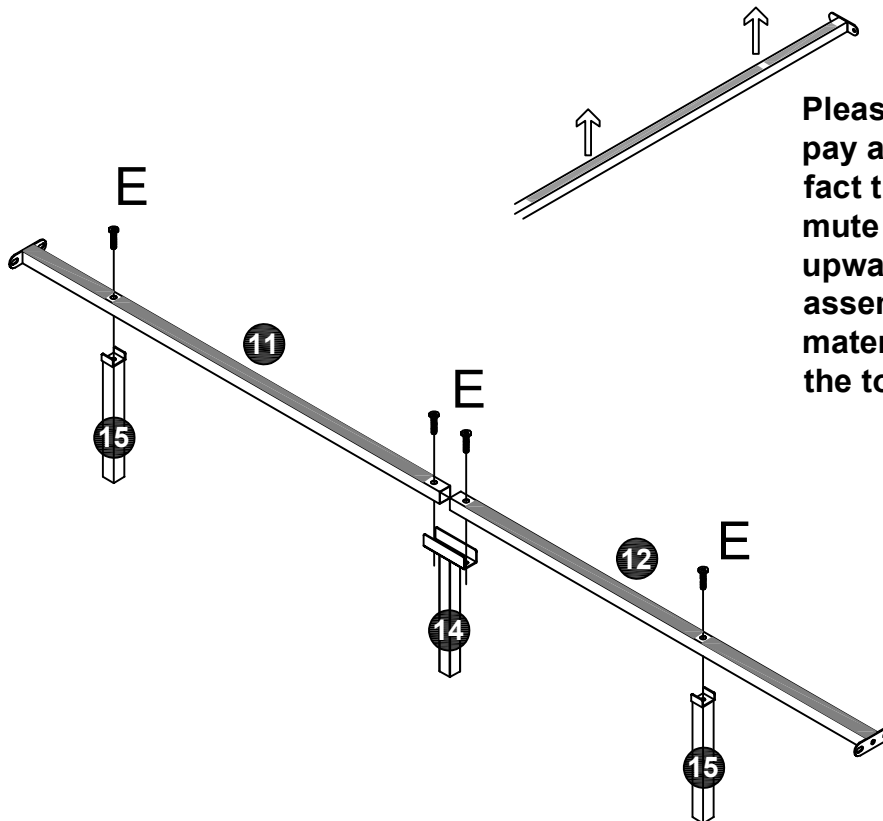
x4



8

E M8*35

x4



Please be sure to pay attention to the fact that there are mute stickers facing upwards during assembly, and the material feels soft to the touch

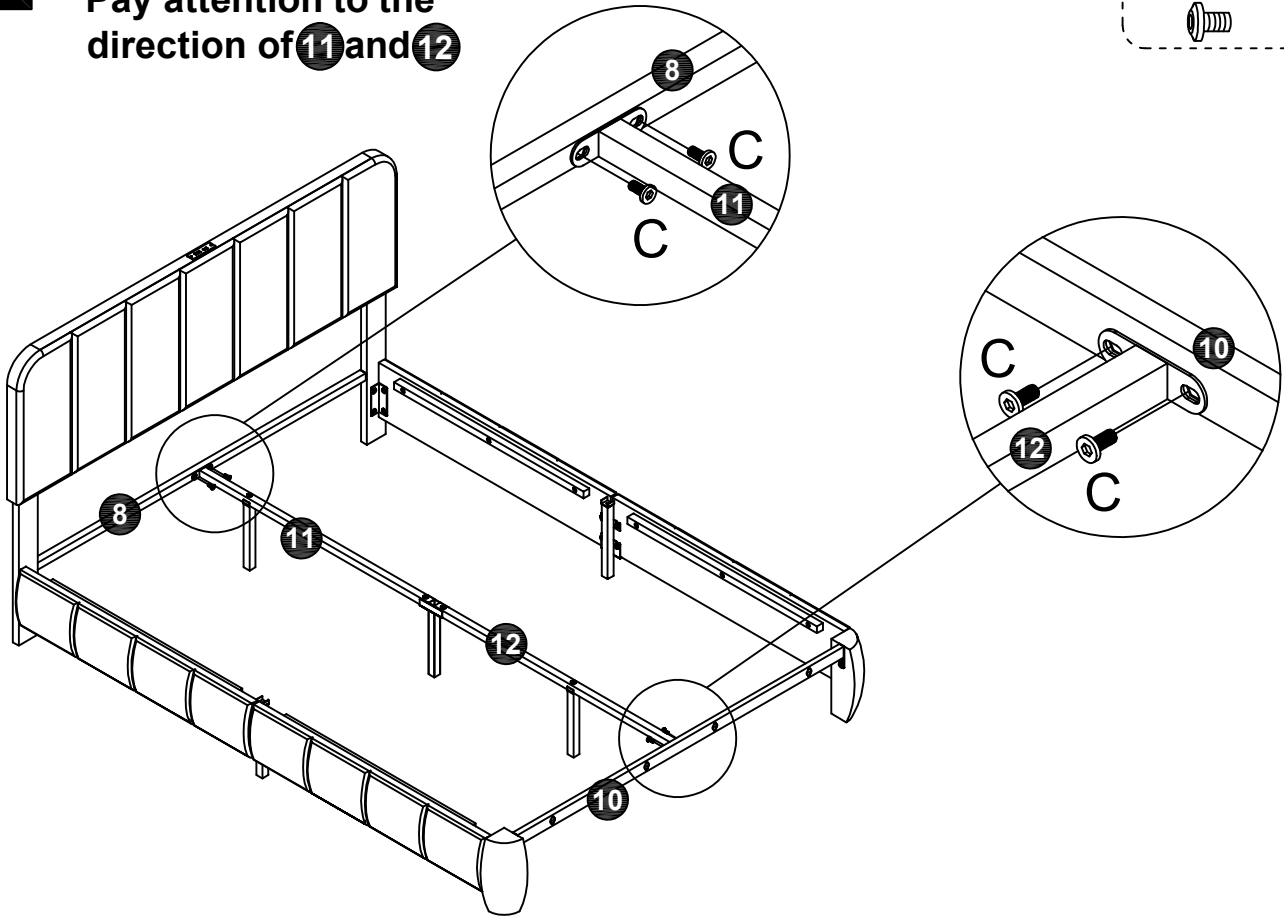
Assembly Instruction

9

Pay attention to the direction of **11** and **12**


C M8*15

 x4



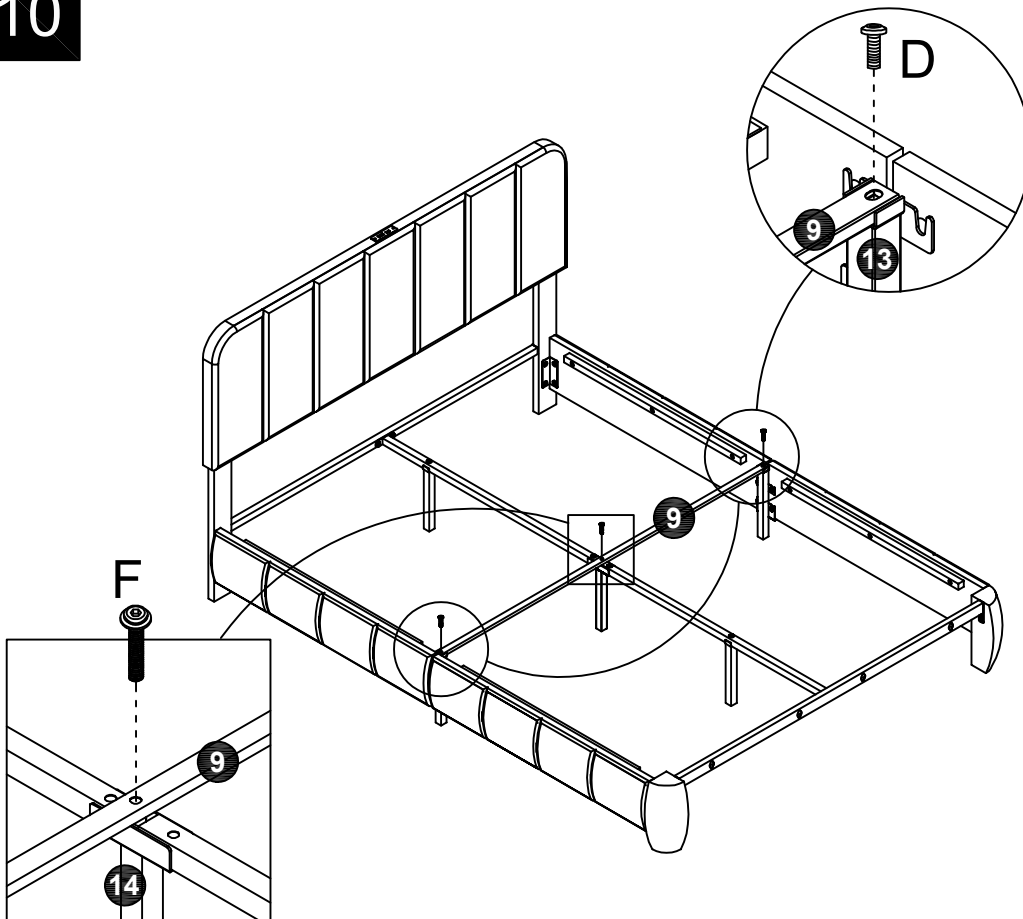
10

D M8*25

 x2

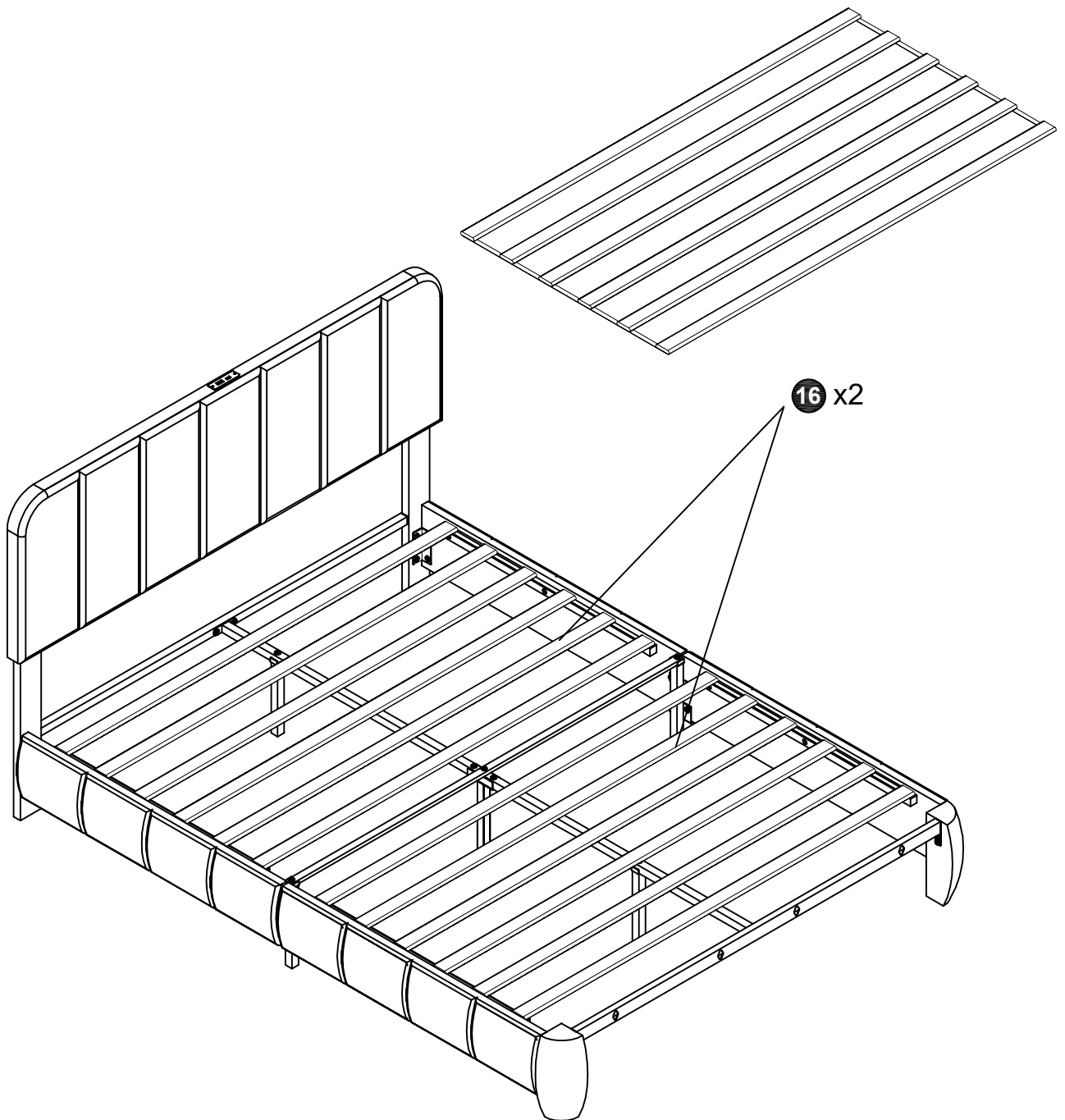
F M8*50

 x1



Assembly Instruction

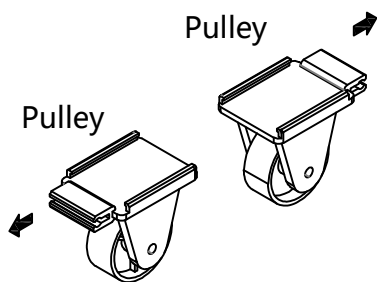
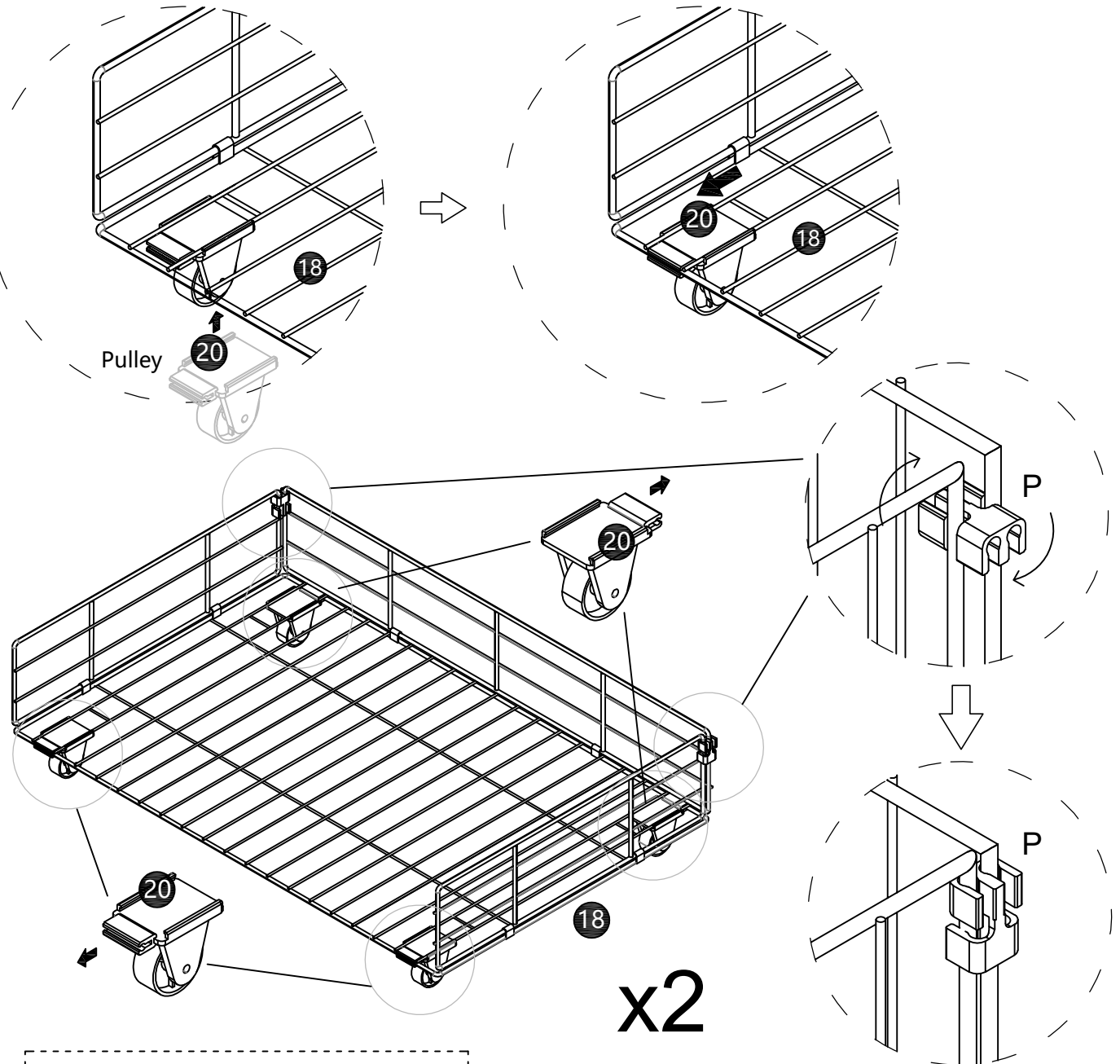
11



Assembly Instruction

As shown in the figure Clip the pulley into position first


Then push the pulley to the side
At the same time, clamp the iron wire at the edge. It takes a little strength




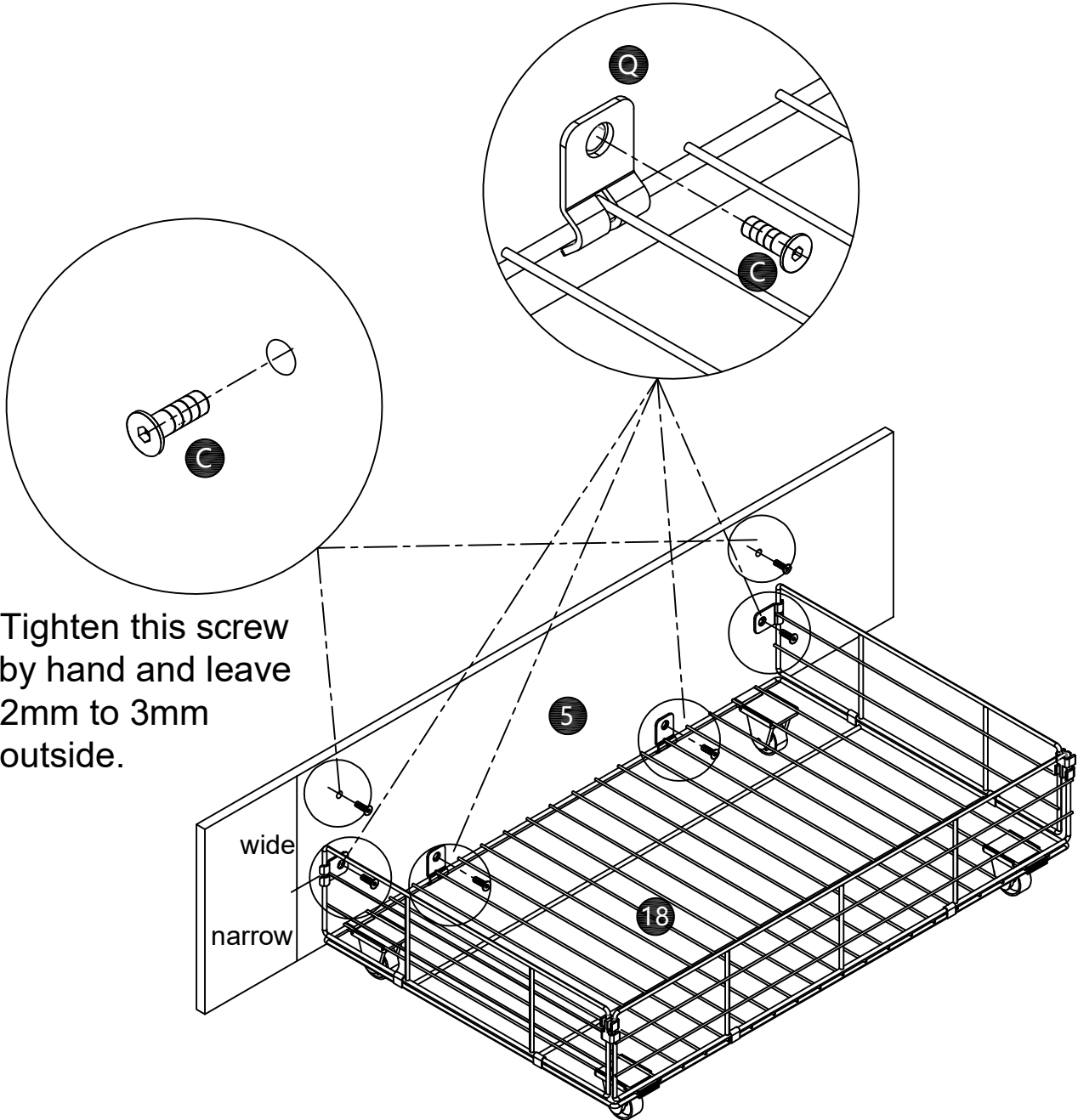
Pay attention to the orientation before clamping in

Please note that this drawer base (18) has front and back sides! Please see the instructions clearly before assembling!!!

Assembly Instruction

C M8*15
 x12

Q
 x8



Tighten this screw
by hand and leave
2mm to 3mm
outside.

x2

2 drawers in total.

Assembly Instruction

When pushing into the drawer, Lift the drawer gently,
Align the screw with the gourd hole and push in
When pulling out the drawer, Lift the drawer gently,
Align the screw with the gourd hole, and then pull it out

