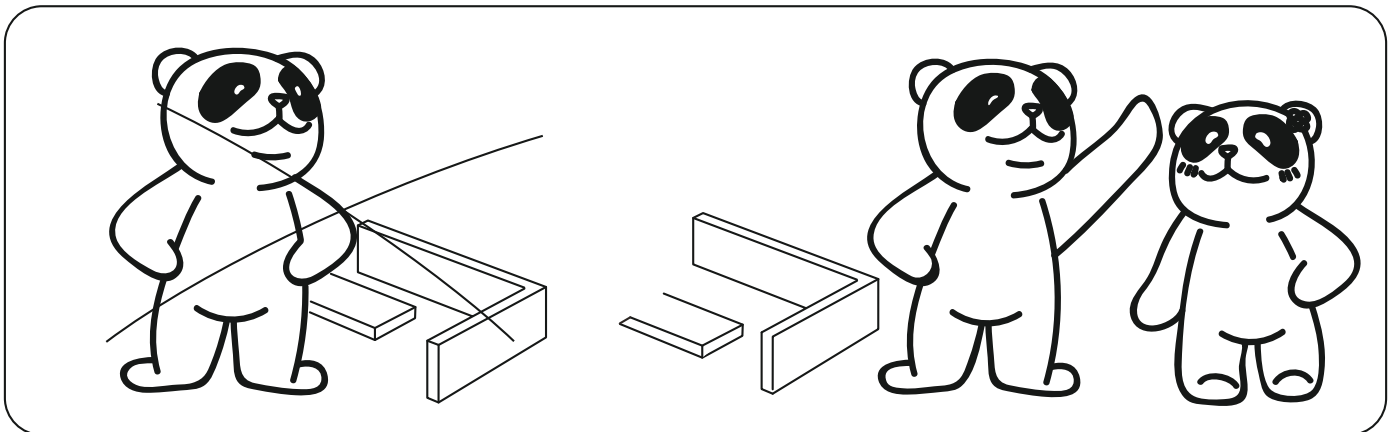
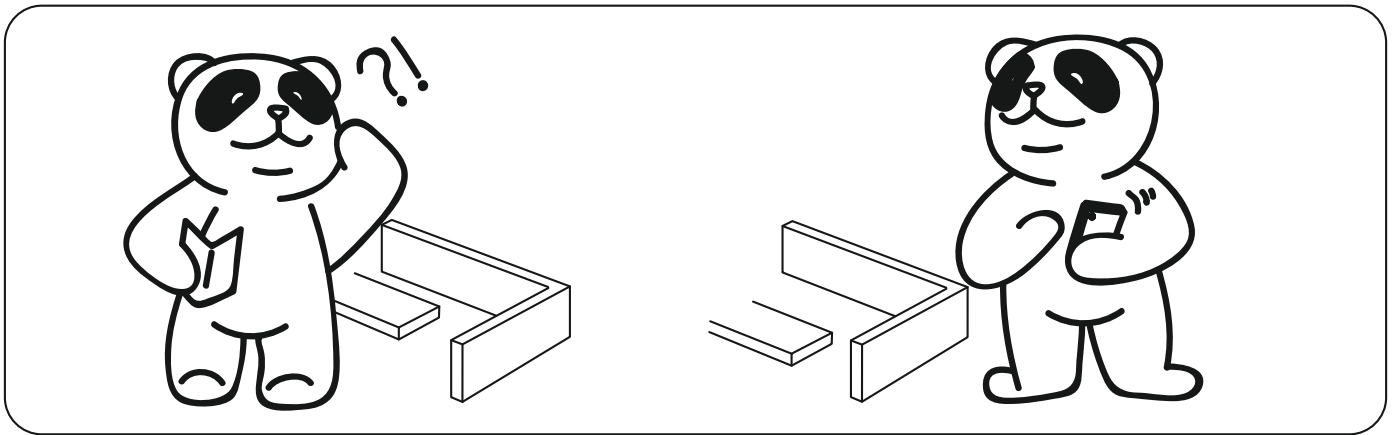
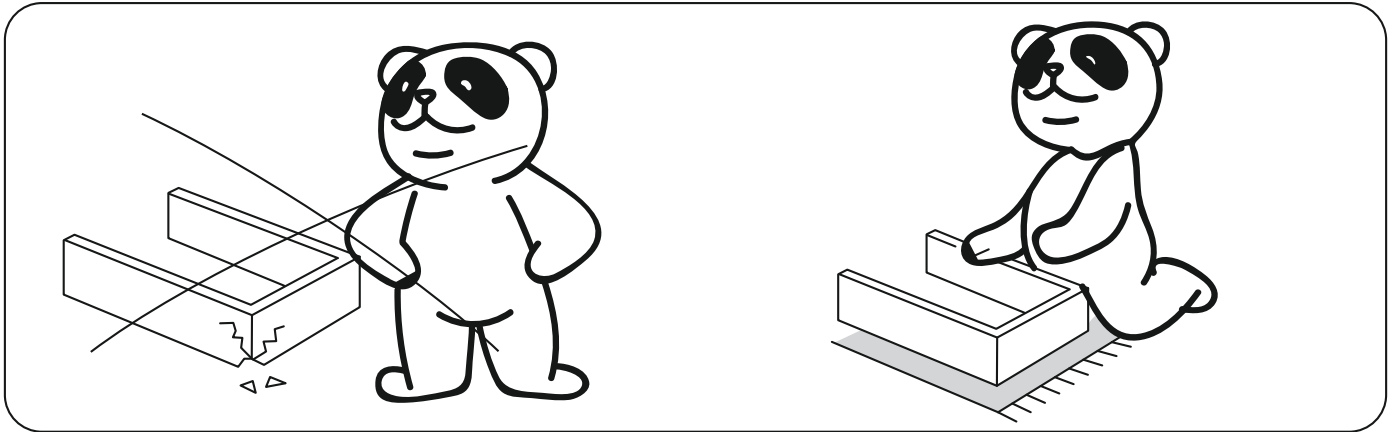
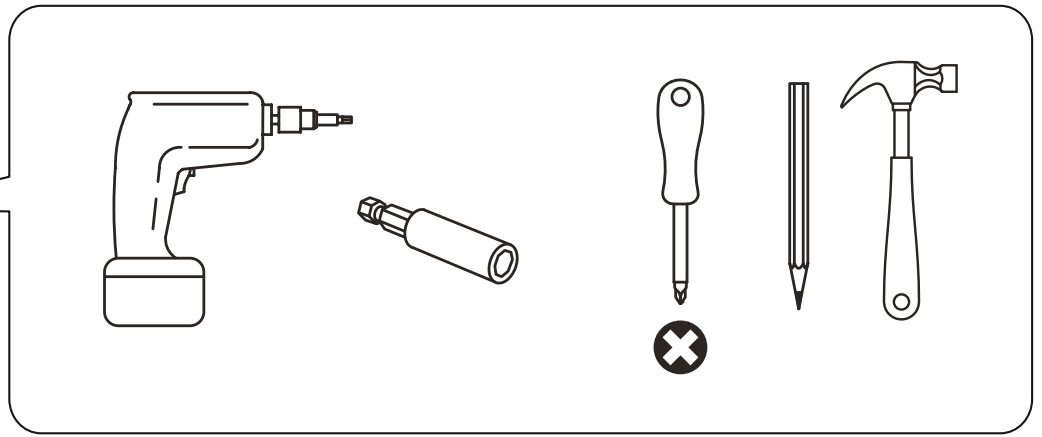


Version: 1.1



Installation parts



A
x53(+2)
Ø6x35mm



B
x53(+2)
Ø15x10mm



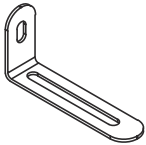
C
x46(+2)
Ø6x30mm



D
x51(+3)
Ø4x35mm



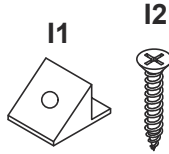
E
x84(+3)
Ø3.5x12mm



F
x2



G
x4
Ø4x12mm



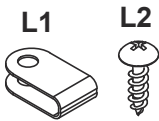
I
x12(+1)
Ø3x16mm



J
x2
Ø6x30mm



K
x1



L
x2
Ø3x10mm



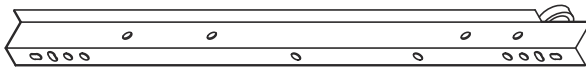
M
x26
Ø5x40mm



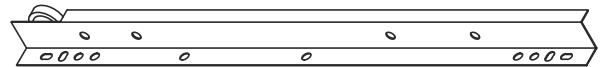
CL
x7
350mm



CR
x7
350mm

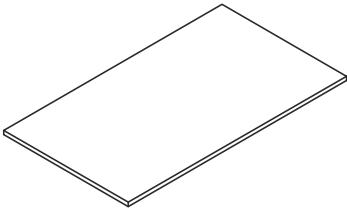


DL
x7
350mm



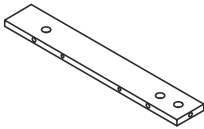
DR
x7
350mm

Mounting frame



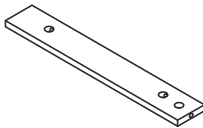
1

x1



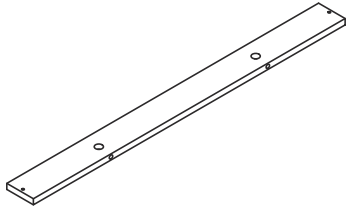
2

x1



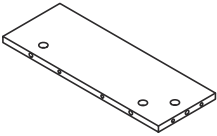
3

x1



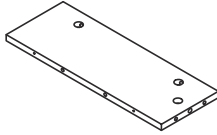
4

x1



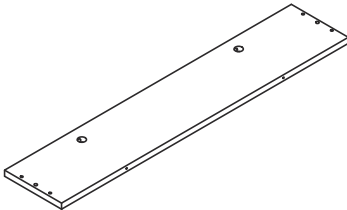
5

x1



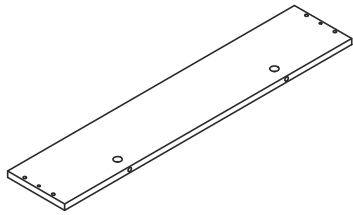
6

x1



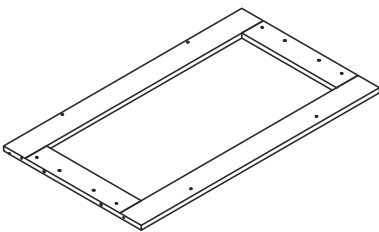
7

x1



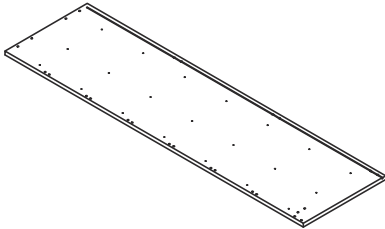
8

x1



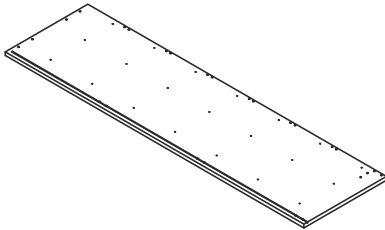
9

x1



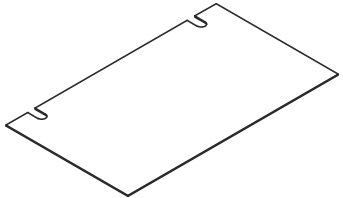
10

x1



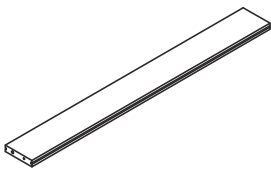
11

x1



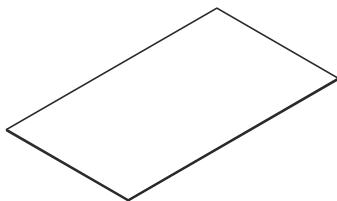
12

x1



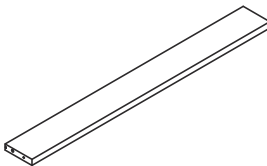
13

x2



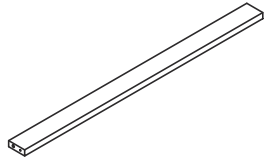
14

x2



15

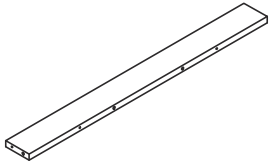
x1



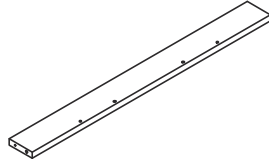
16

x6

Mounting frame

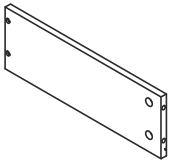


17
x1

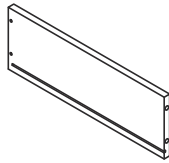


18
x1

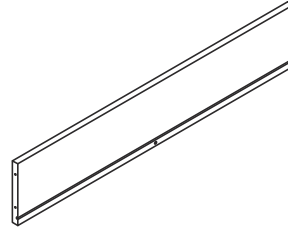
Drawer mounting frame



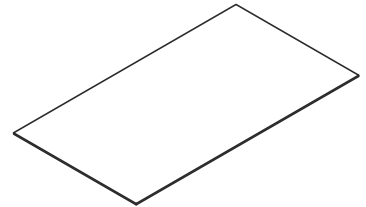
19
x7



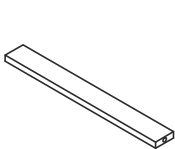
20
x7



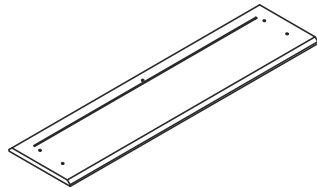
21
x7



22
x7



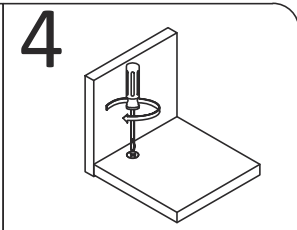
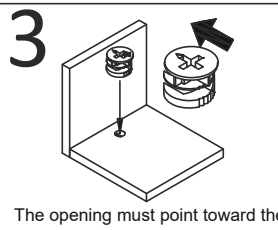
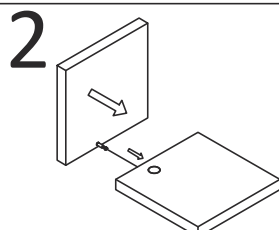
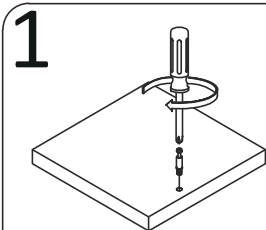
23
x7

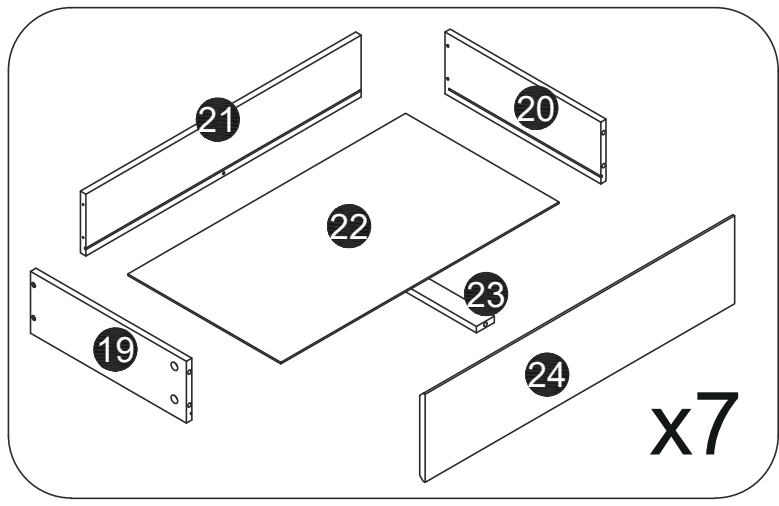
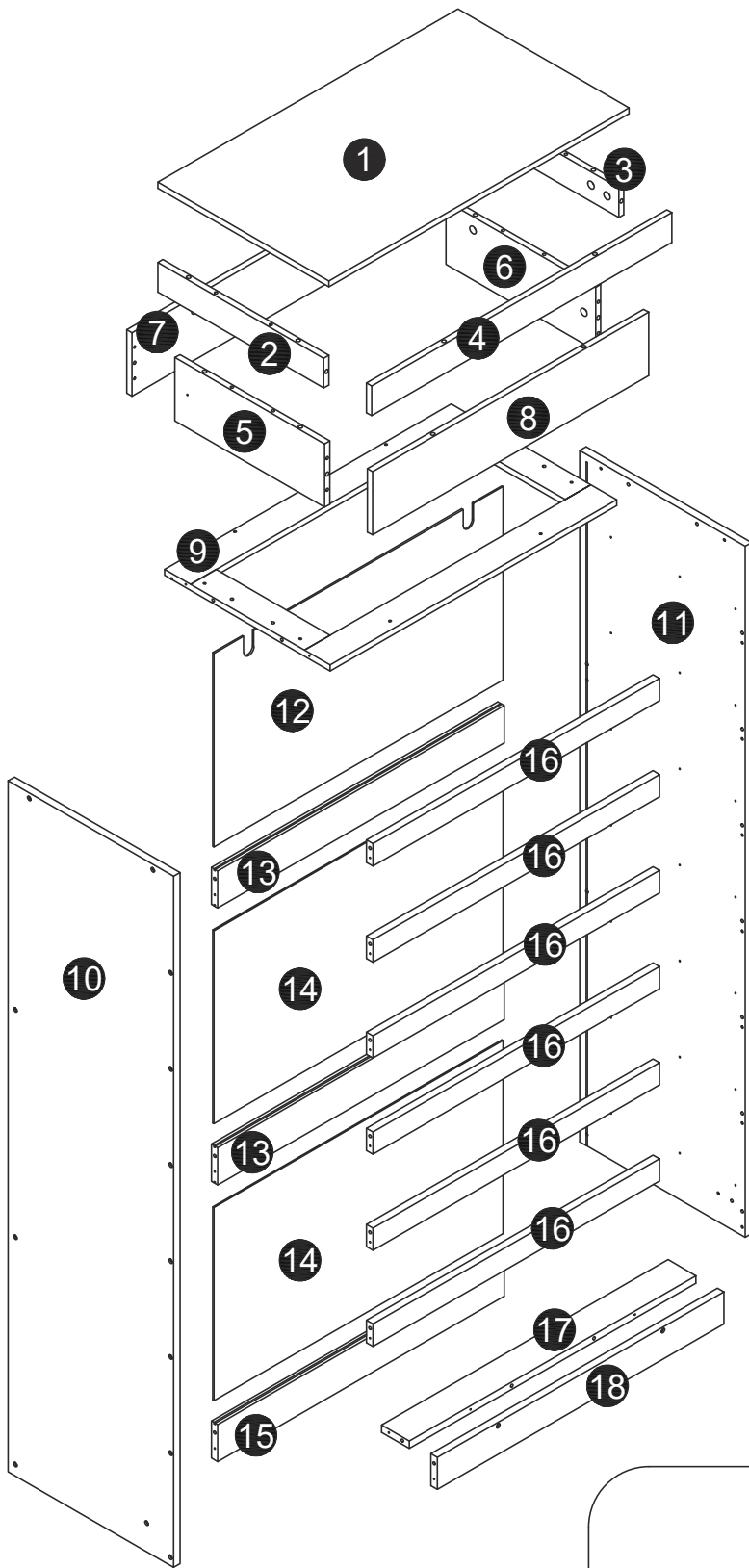


24
x7


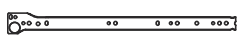
Cam LockFasteningSystem

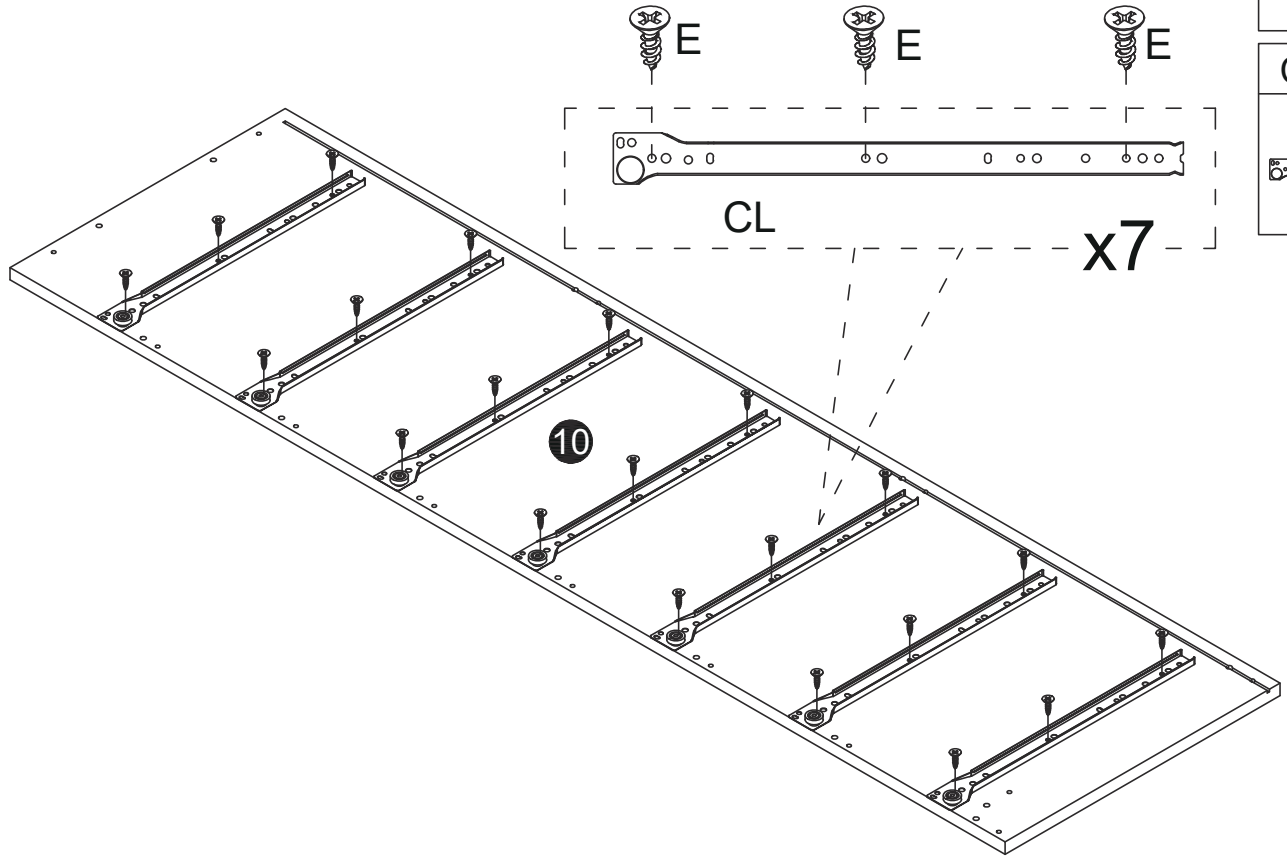
Insert the cam bolt into the hole first, then insert the cam lock and lock it.




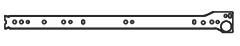


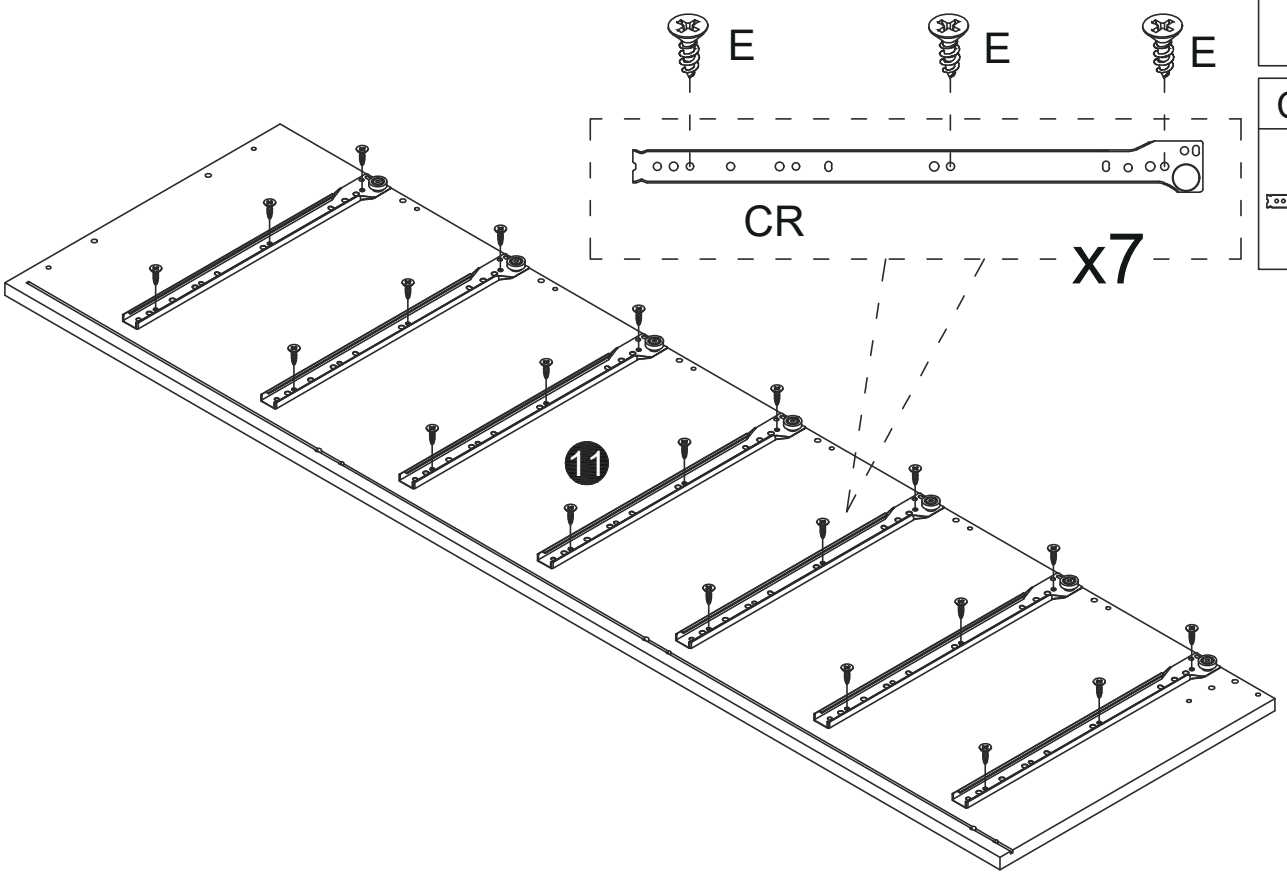
01

E	x21
	
CL	x7
	

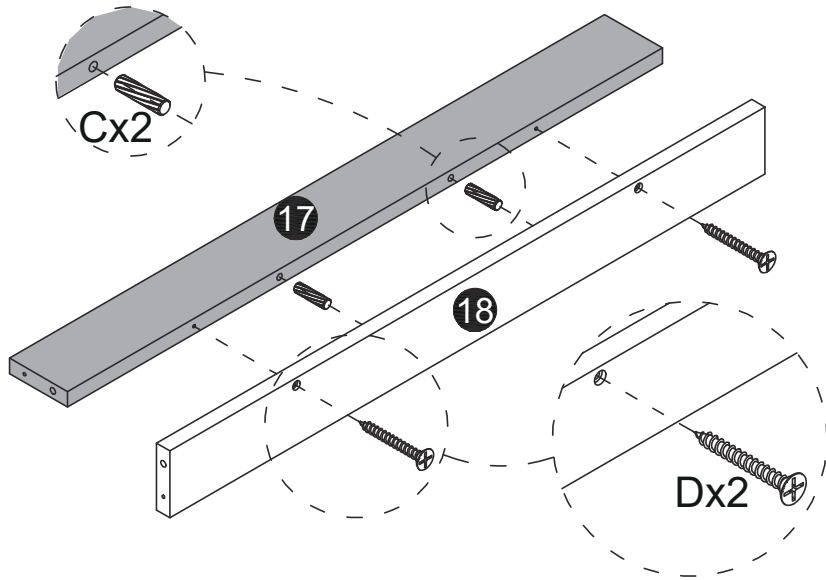




02

E	x21
	
CR	x7
	

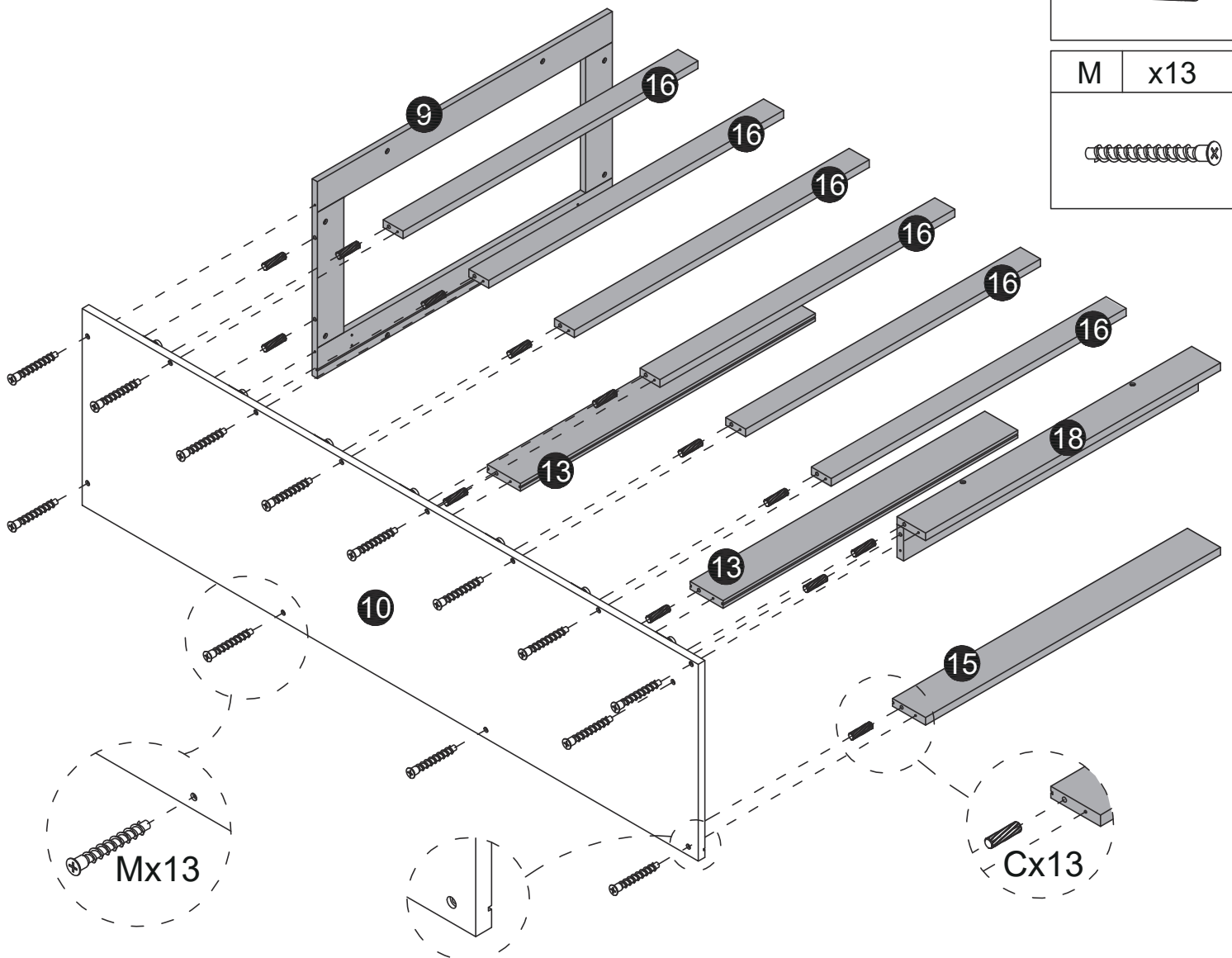




03




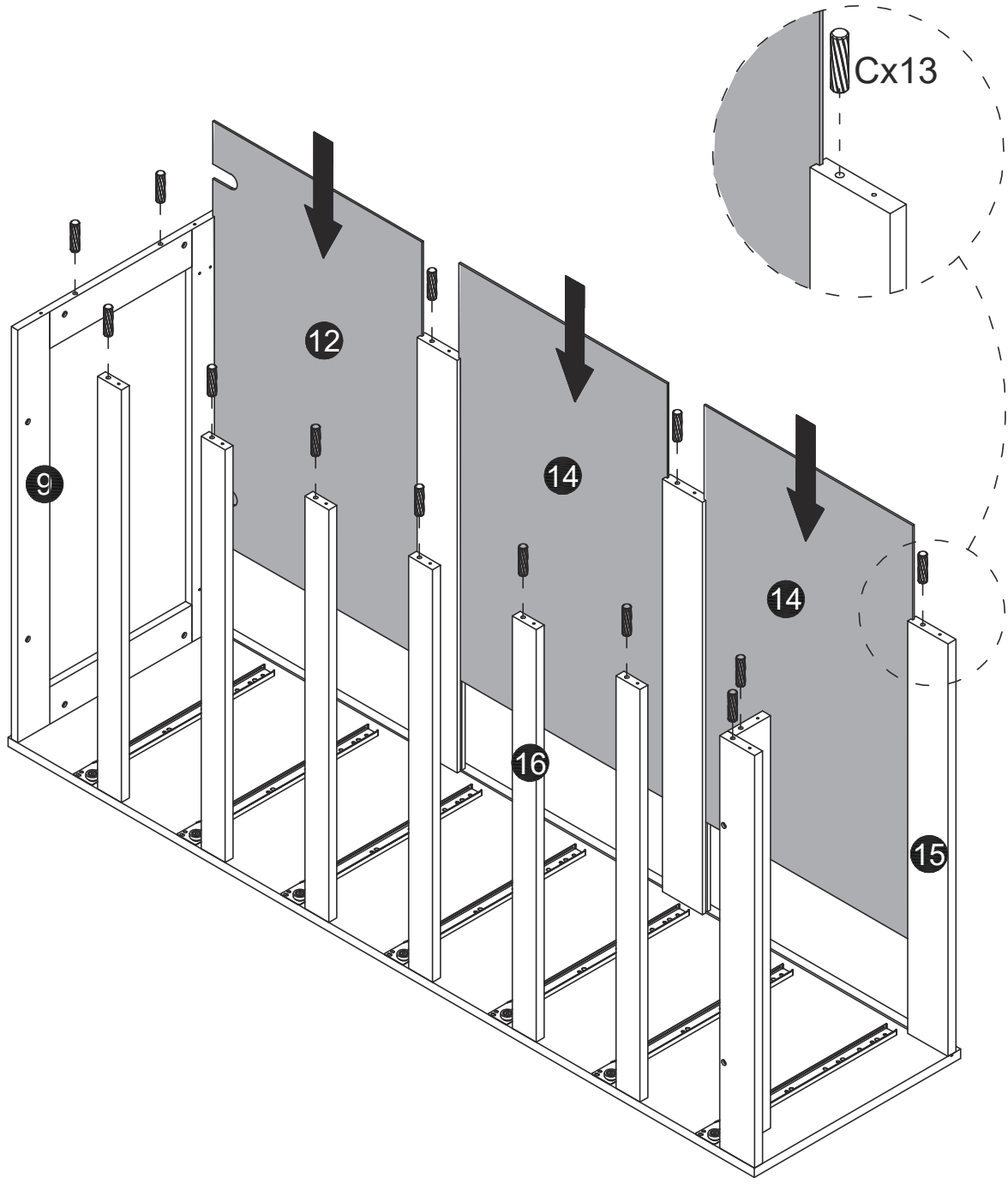
C	x2
	
D	x2
	


04

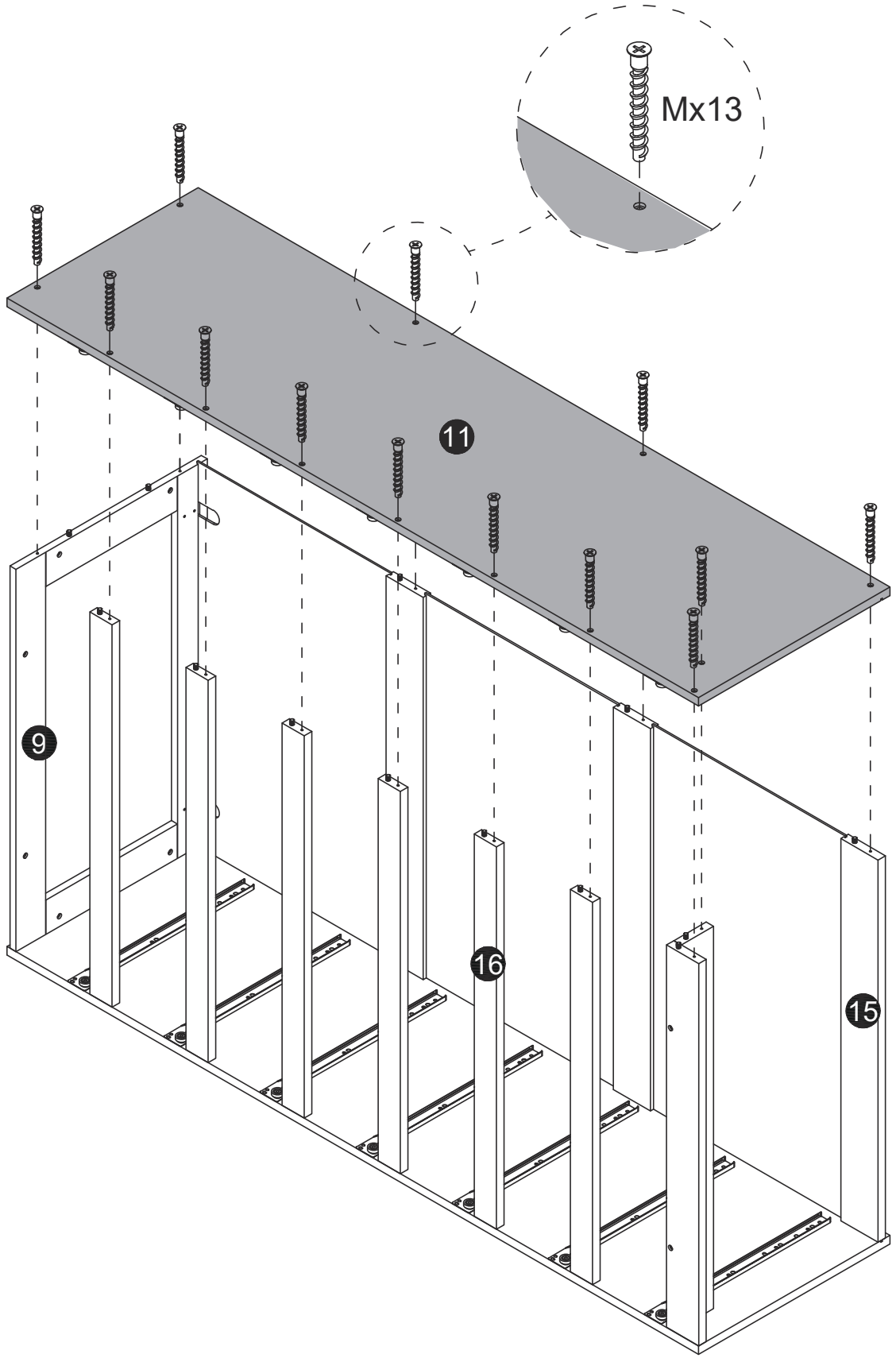


C	x13
	
M	x13
	



C	x13
	

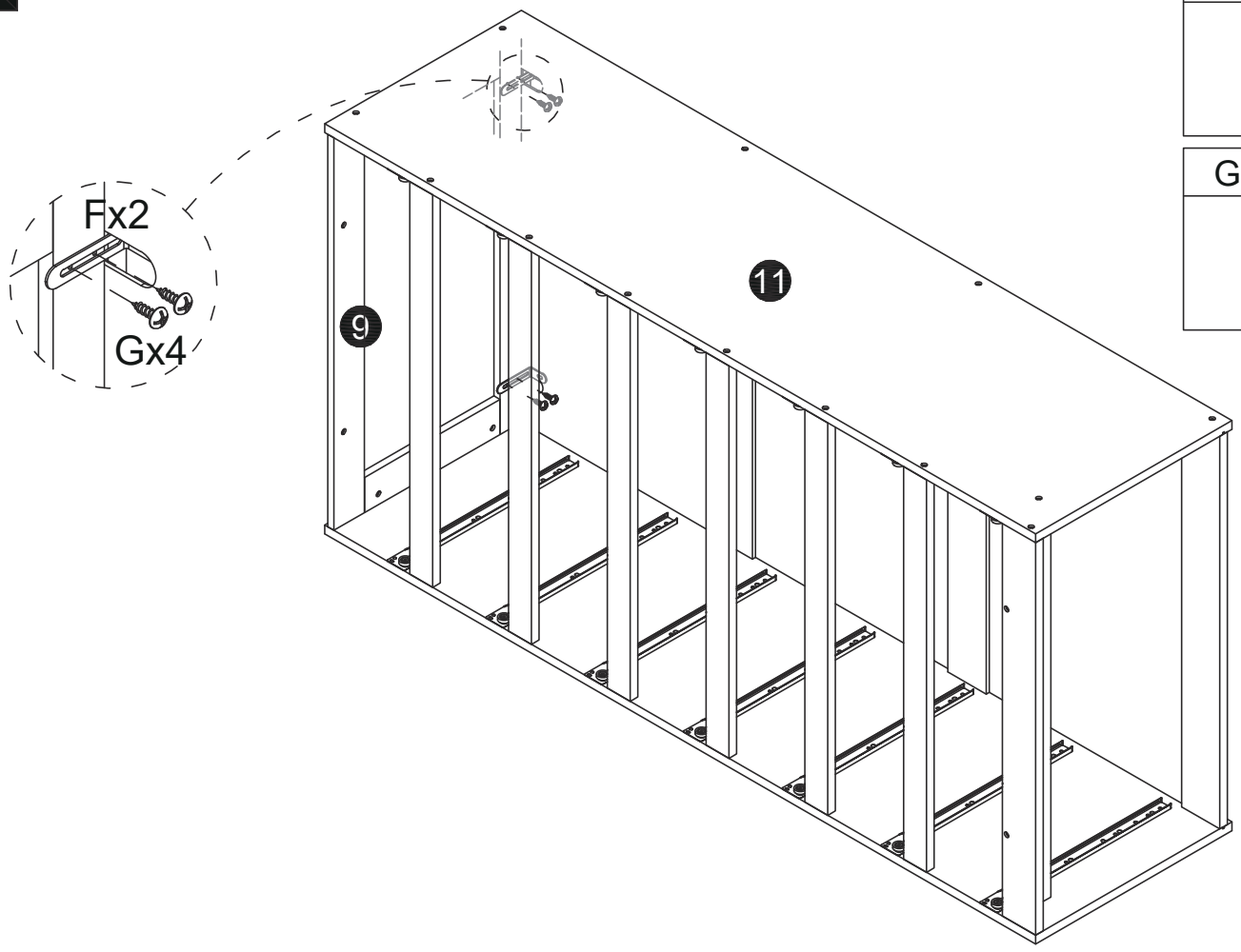


M	x13
	

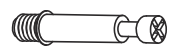


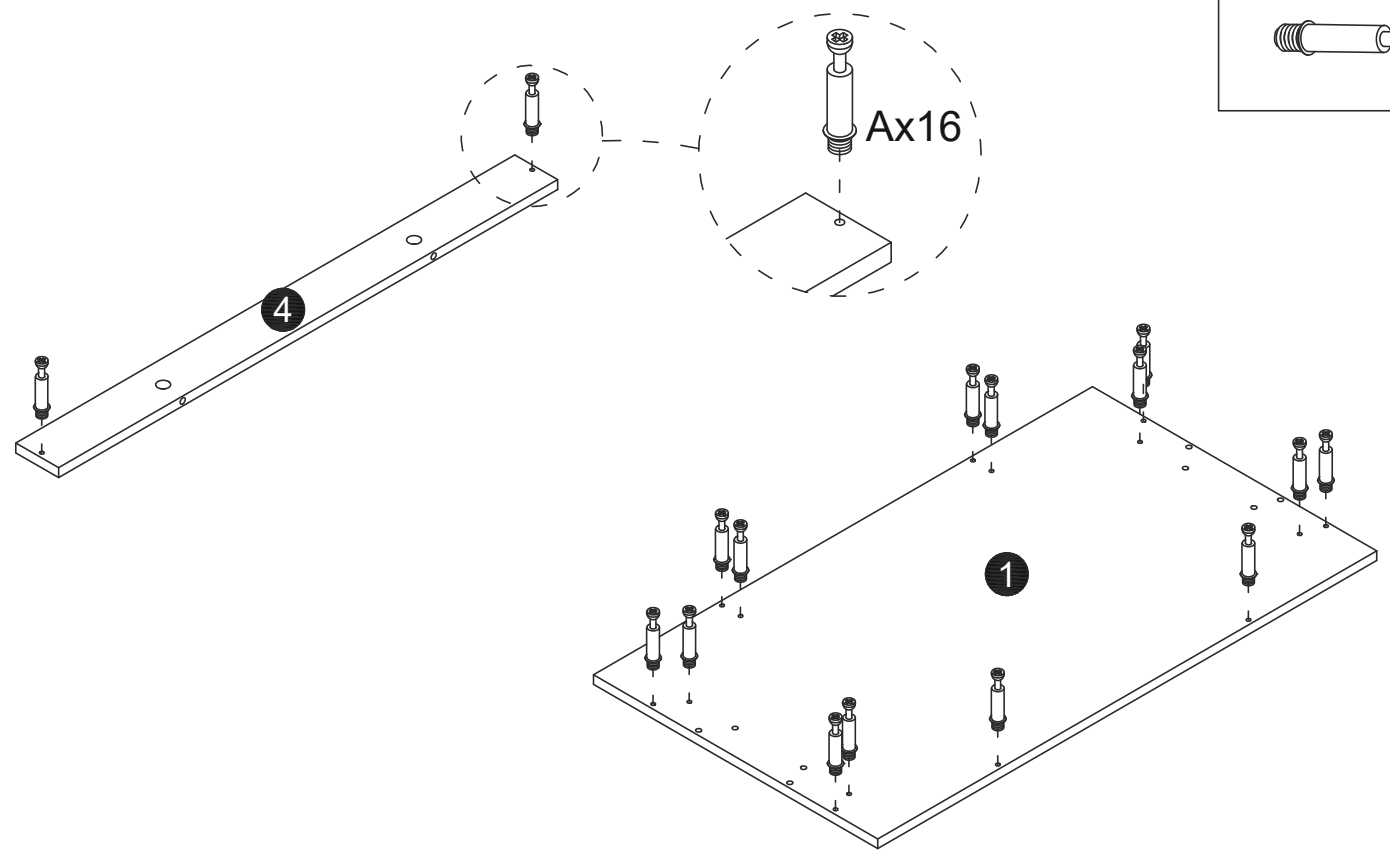
07

F	x2
	
G	x4
	




08

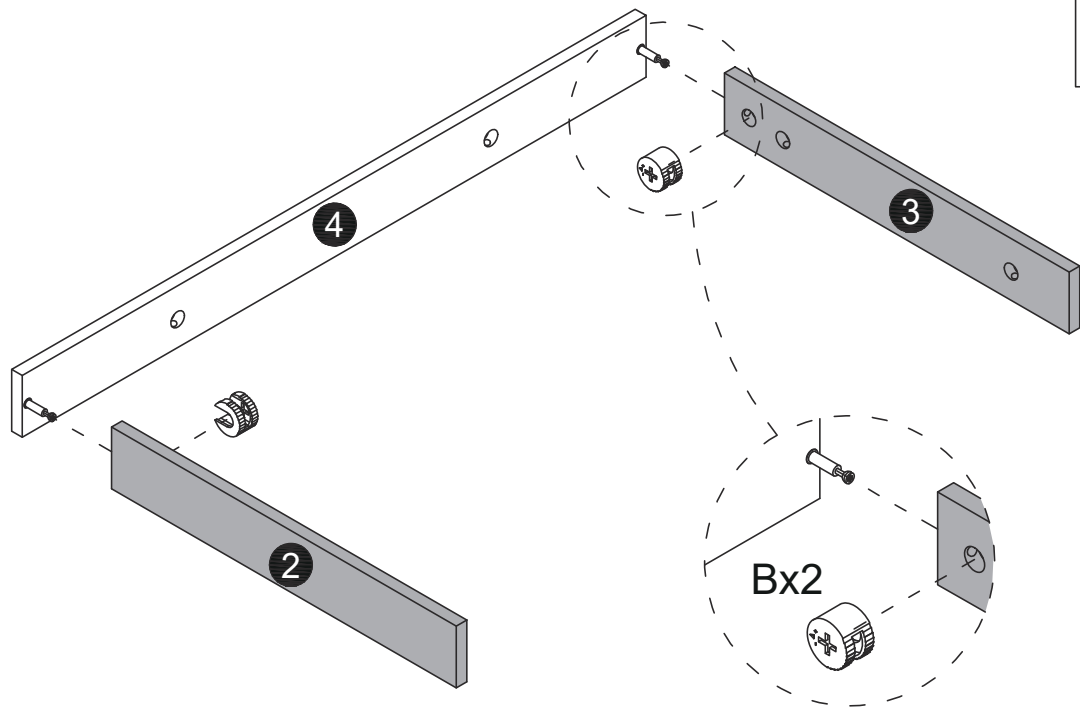
A	x16
	




09


Attention hole position.

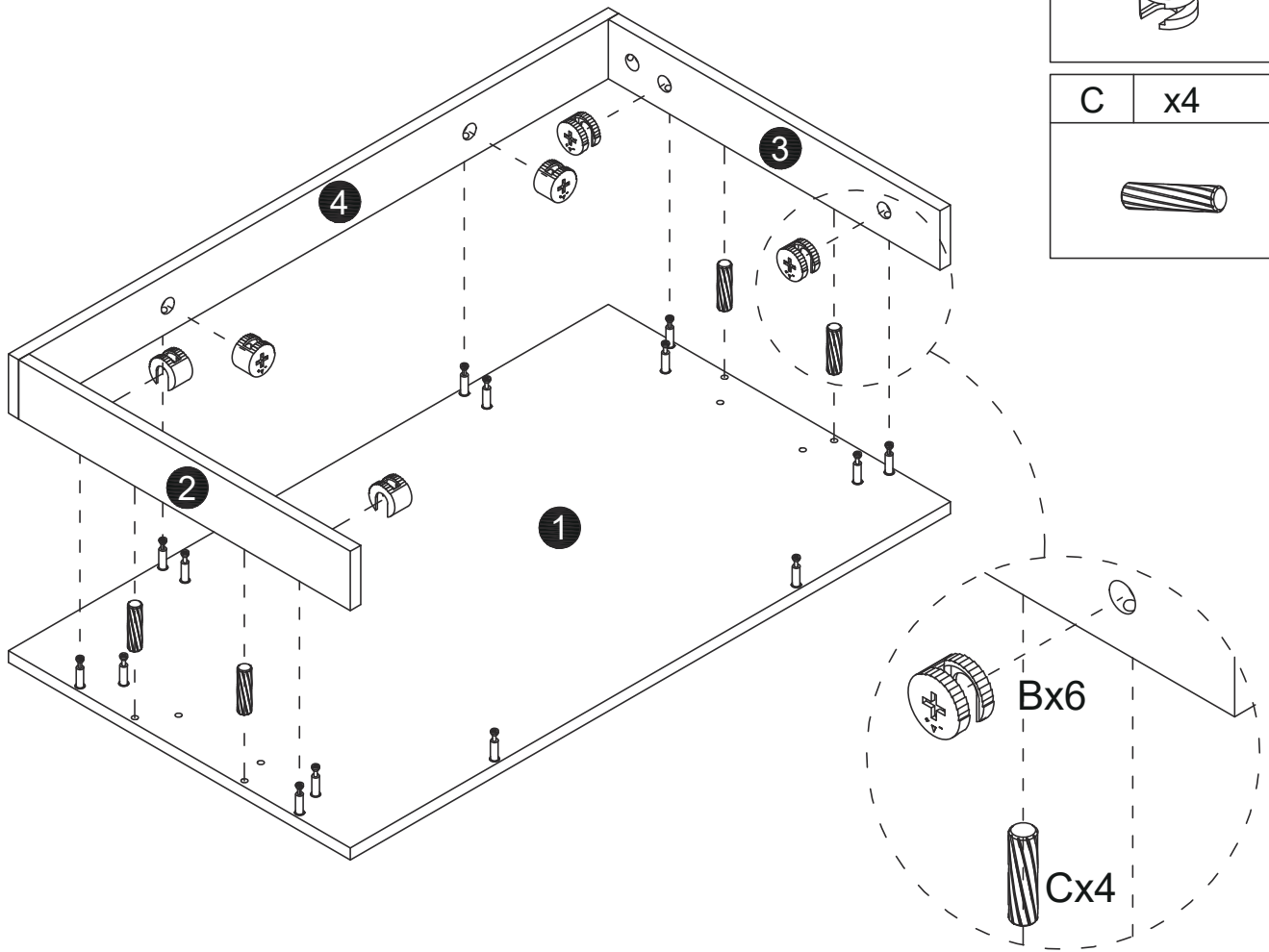
B	x2
	



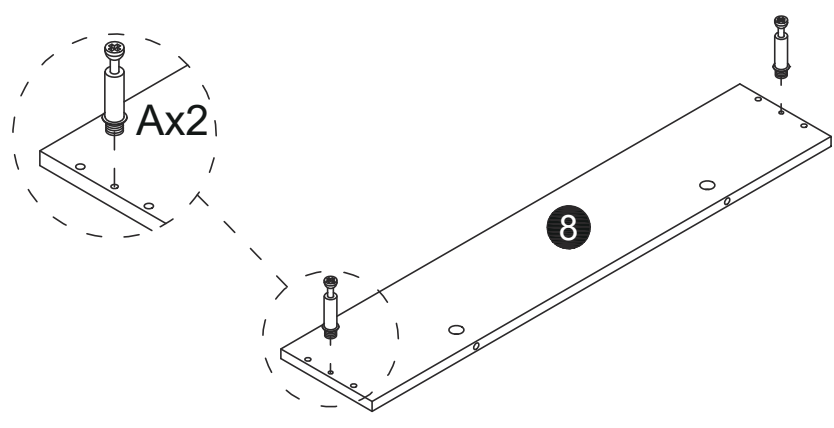
10

B	x6
	

C	x4
	

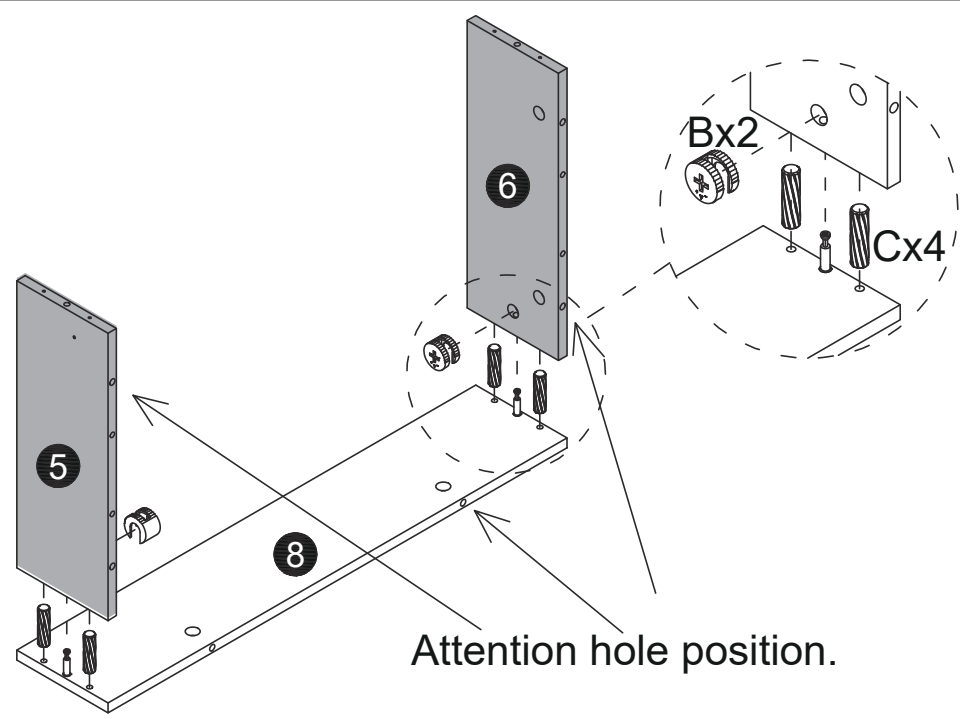


11



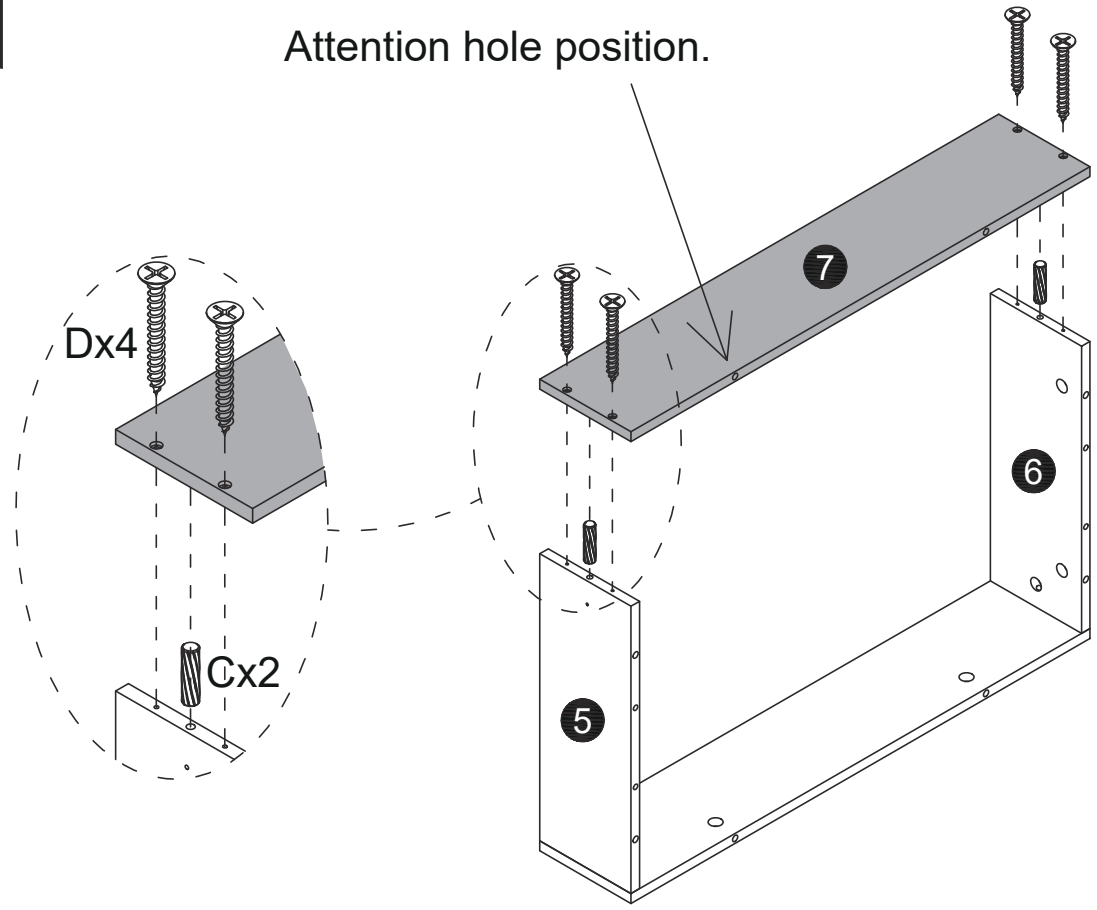
A	x2

12



B	x2
C	x4

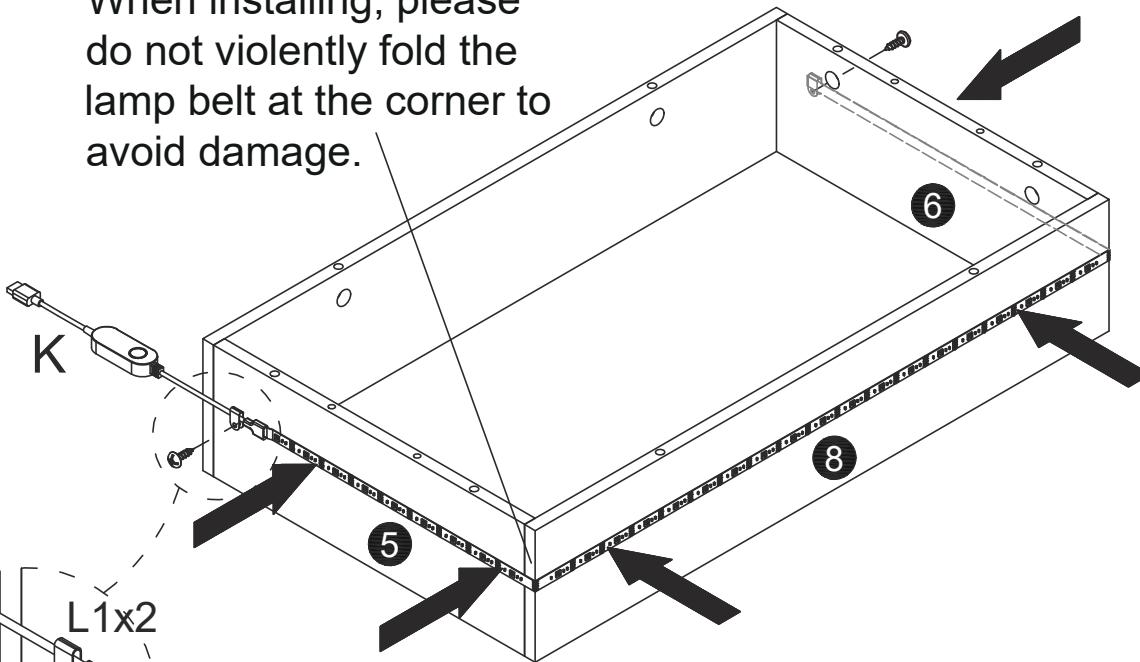
13



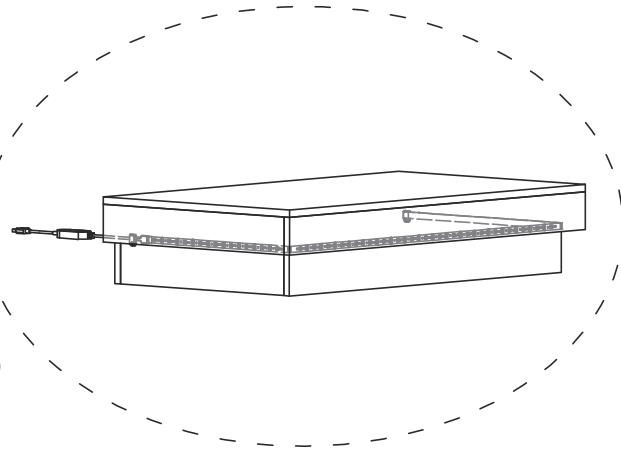
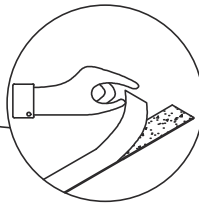
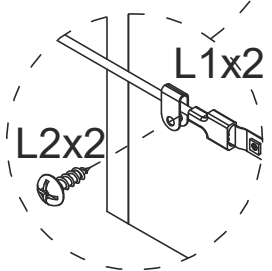
C	x2
D	x4

14

When installing, please do not violently fold the lamp belt at the corner to avoid damage.

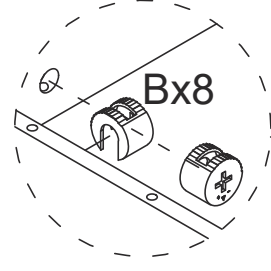
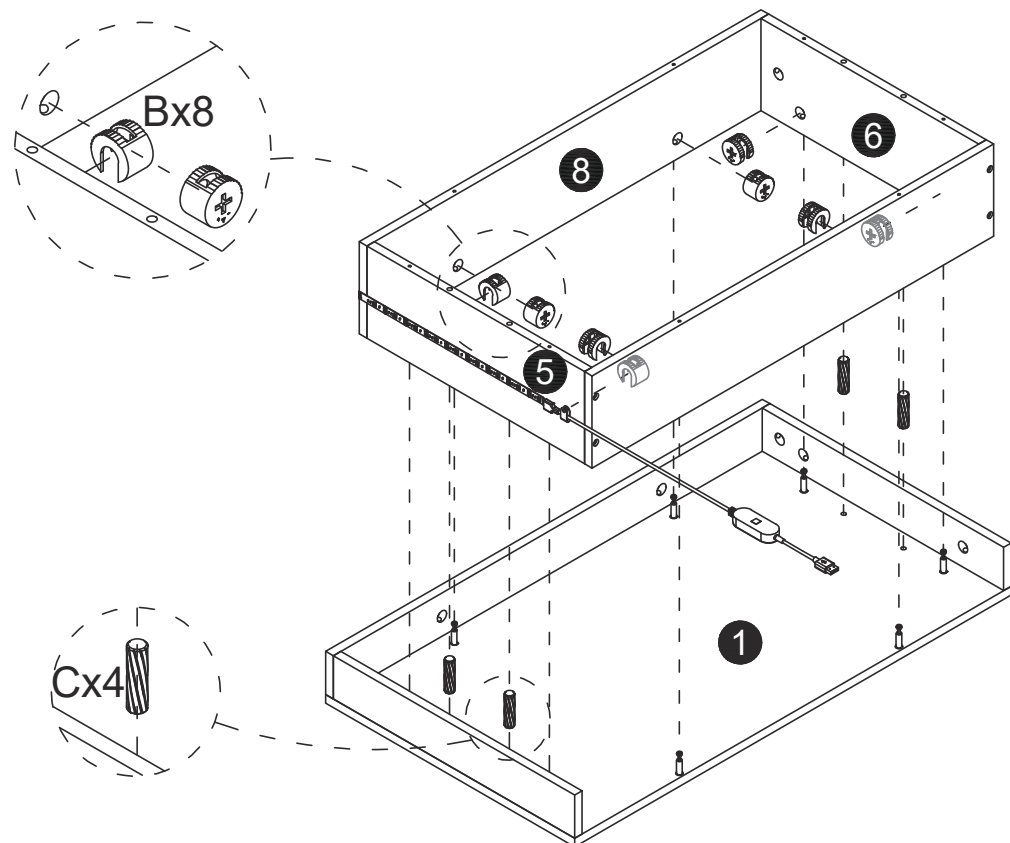


- | | |
|----|----|
| K | x1 |
| | |
| L | x2 |
| L1 | L2 |
| | |





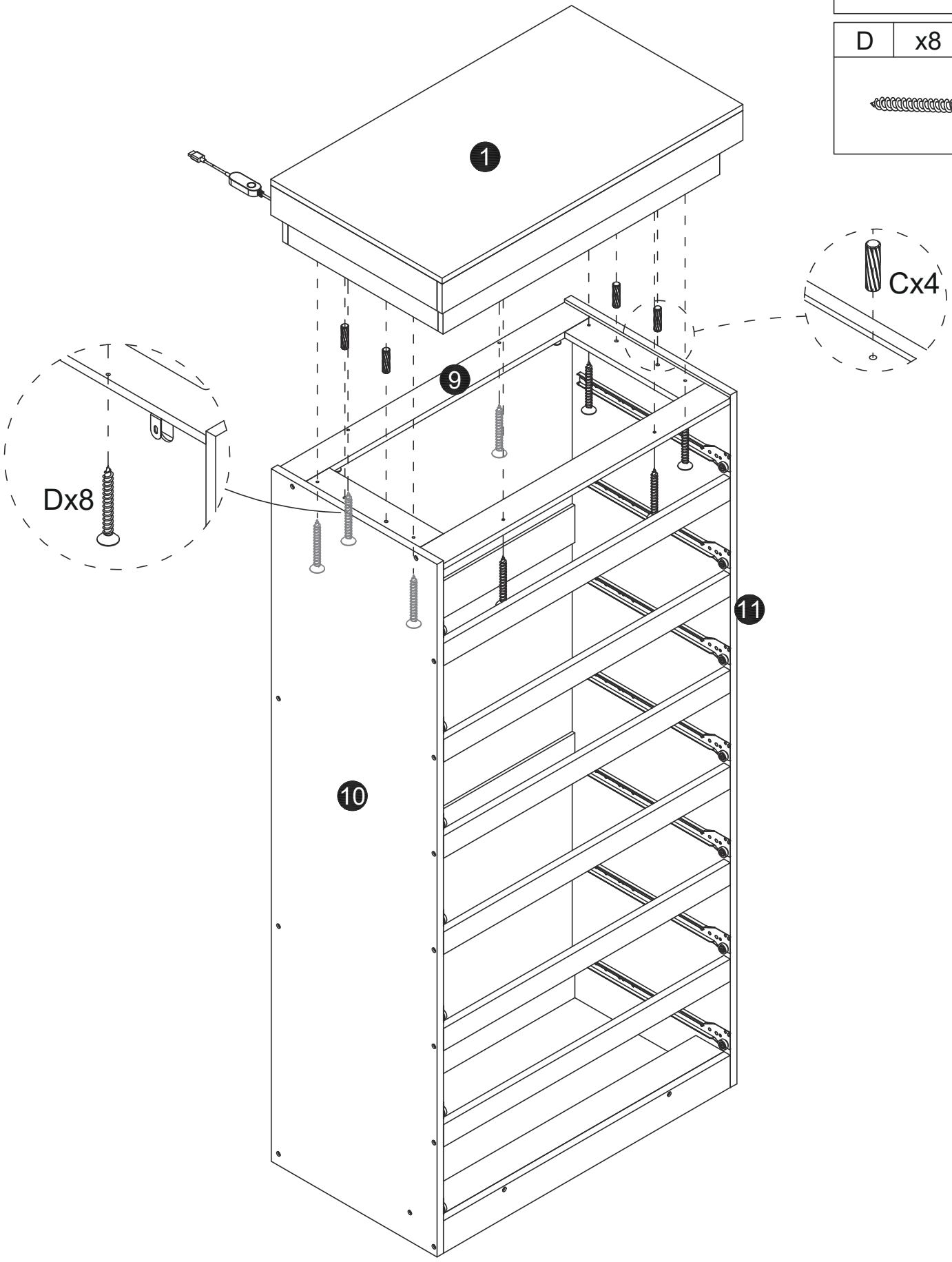
Please plan and mark the position before attaching the lamp strip, and then remove the glue protective film on the back of the lamp strip for adhesion. In order to achieve the final effect, the lamp strip is covered by the edge of the lid.

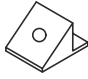

15

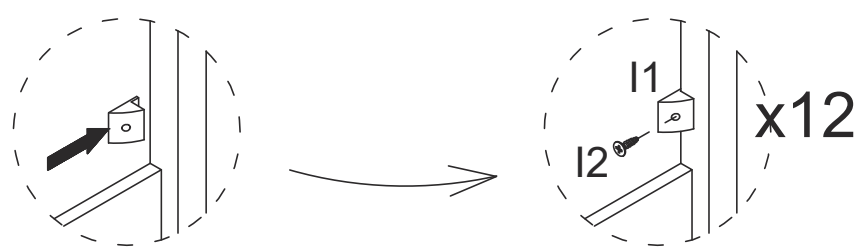
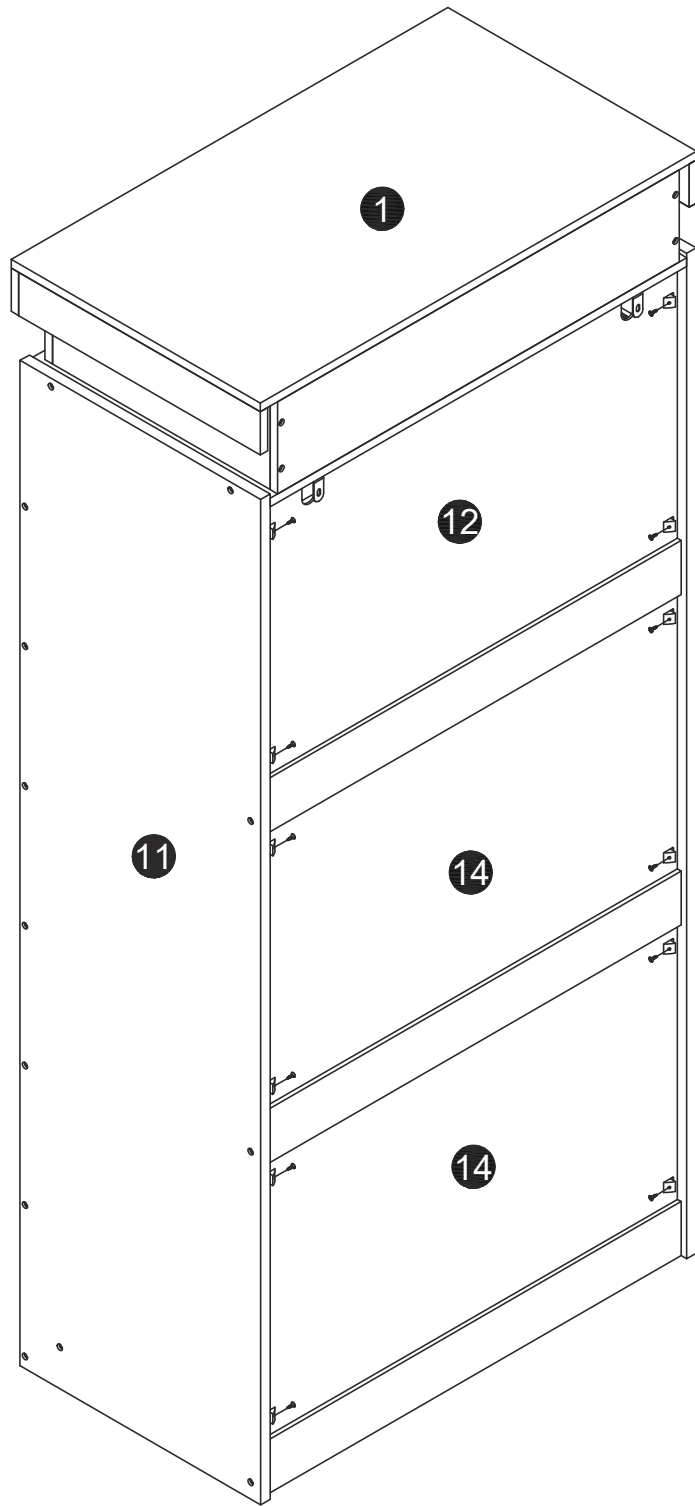




- | | |
|---|----|
| B | x8 |
| | |
| C | x4 |
| | |

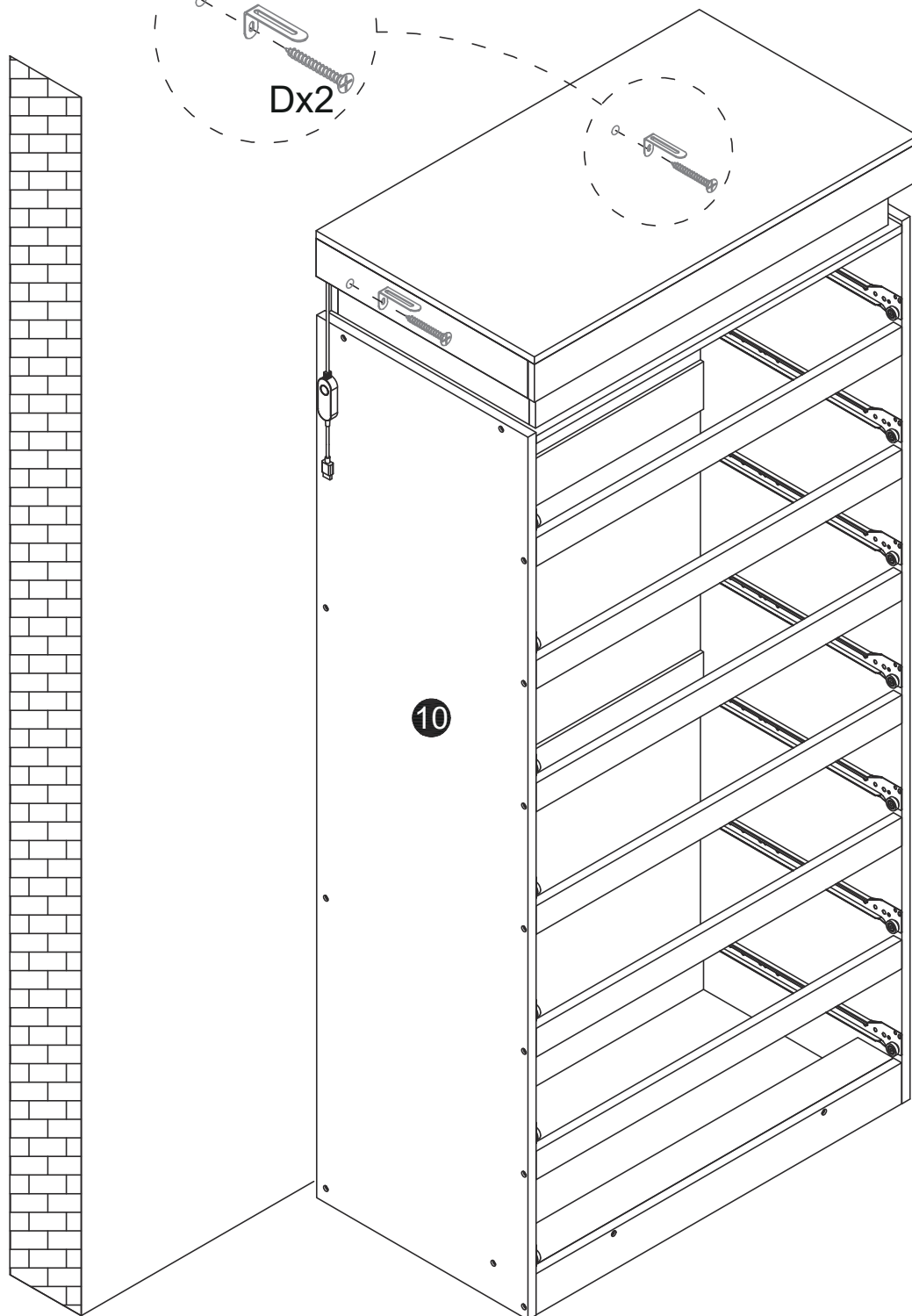
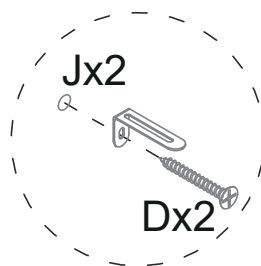
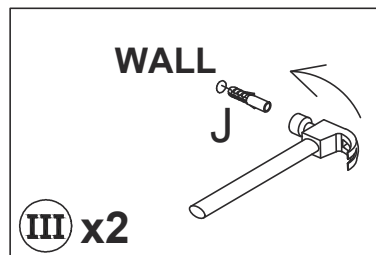
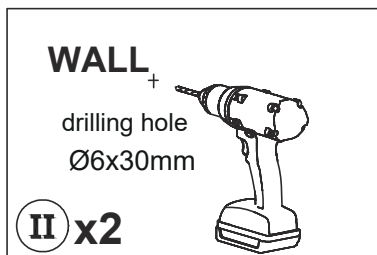
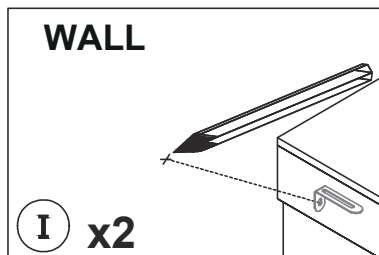
C	x4
	
D	x8
	



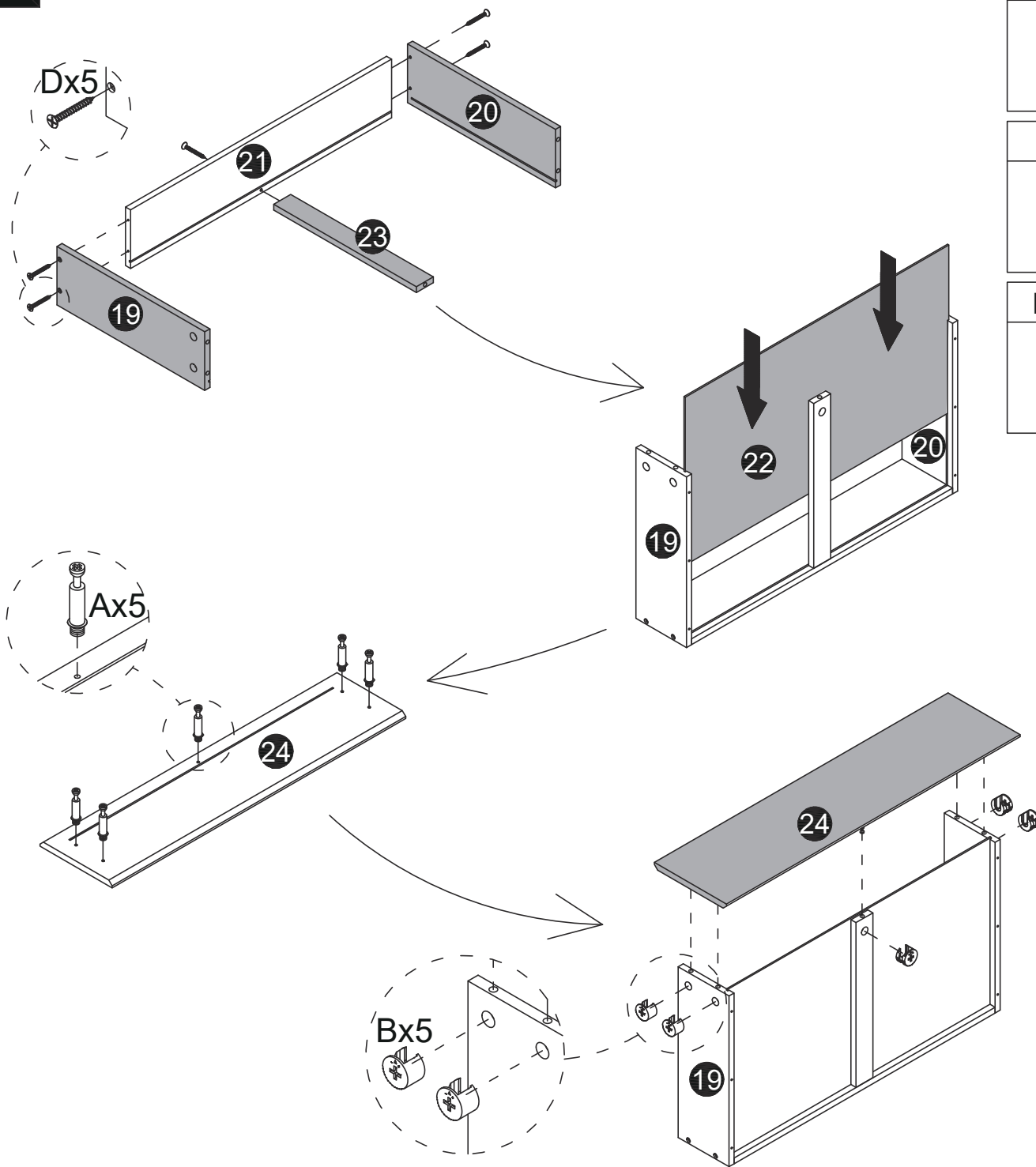
I	x12
I1	I2
	

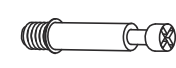




D	x2
	
J	x2
	



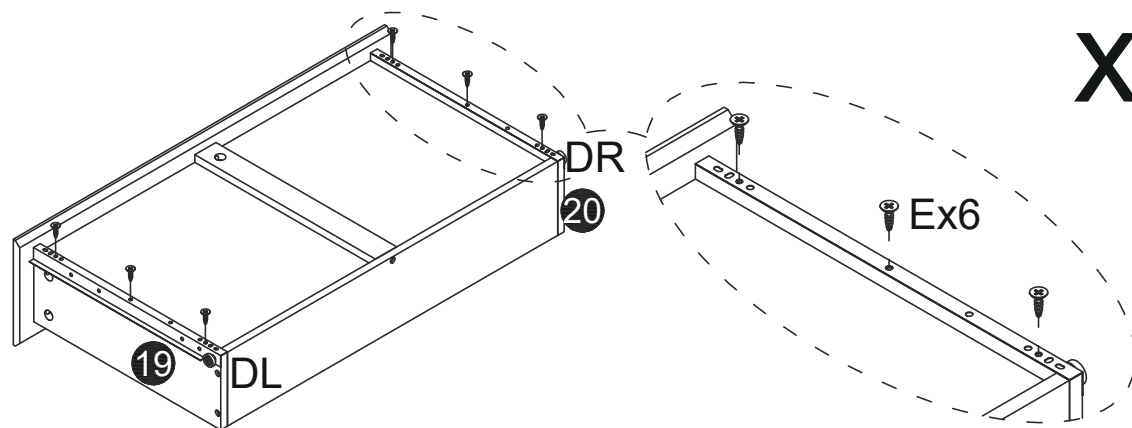
19





A	x35
	
B	x35
	
D	x35
	

x7

20



x7

E	x42
	
DL	x7
	
DR	x7
