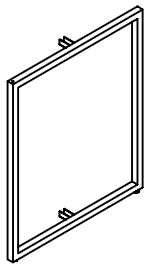
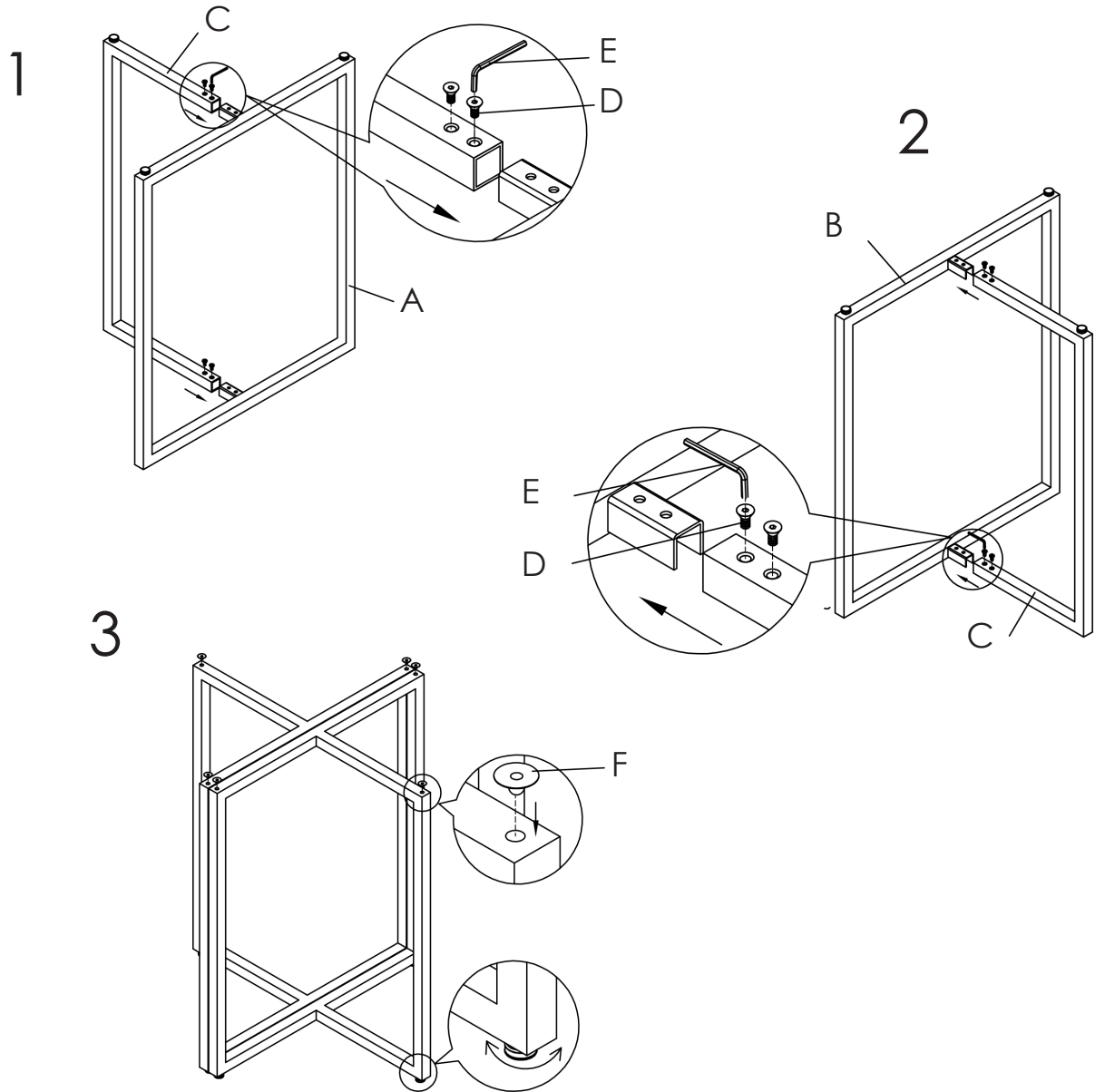
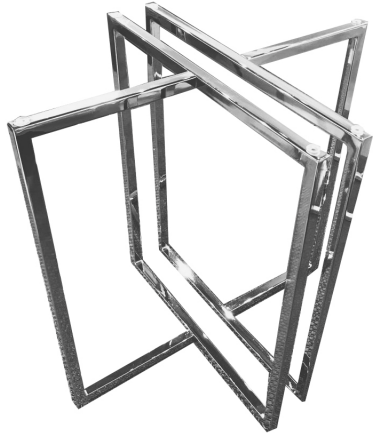
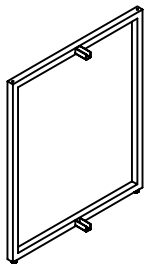


Assembly Instructions

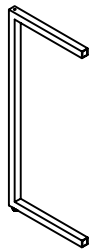
LEGEND Dining Table Base



A (1 pc)



B (1 pc)

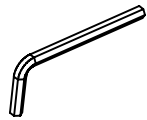


C (2 pcs)



D (8 pcs)

M6-1 x 12mm



E (1 pc)



F (6 pcs)

During assembly, hand tighten screws only. When the screws are in place, tighten completely.