

COASTER[®]
FINE FURNITURE

203261KE (B1-B3)

EASTERN KING SIZE BED

ASSEMBLY INSTRUCTIONS
COASTER FINE FURNITURE



www.coastercompany.com

ASSEMBLY TIPS:

1. Remove hardware from box and sort by size
2. Please check to see that all hardware and parts are present prior to start of assembly.
3. Please follow attached instruction in the same sequence as numbered to assure fast & easy assembly.

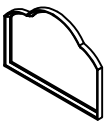
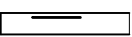
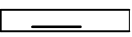

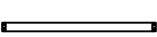
Warning!



1. Don't attempt to repair or modify parts that are broken or defective. Please contact the store immediately.
2. This product is for home use only and not intended for commercial establishment

PARTS IDENTIFICATION

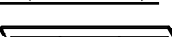

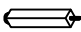
B1(BOX1)

- A  HEADBOARD PANEL 1PC
- B  LEFT HEADBOARD LEG 1PC
- C  RIGHT HEADBOARD LEG 1PC
- D  MIDDLE RAIL 1PC
- E  BOTTOM RAIL 1PC

B2(BOX2)

- F  FOOTBOARD 1PC






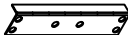
B3(BOX3)

- G  BED RAIL 2PCS
- H  BED SLAT 4PCS
- I  BED SLAT SUPPORT WITH LEVELER 8PCS



HARDWARE IDENTIFICATION

Z-B1 (BOX1)- Hardware pack is located in 203261KE (B1)

- 1  ALLEN WRENCH 1PC
- 2  SHORT BOLT 12PCS
- 3  LONG BOLT 5PCS
- 4  FLAT WASHER 17PCS
- 5  LOCK WASHER 17PCS
- 6  METAL CLEAT 2PCS

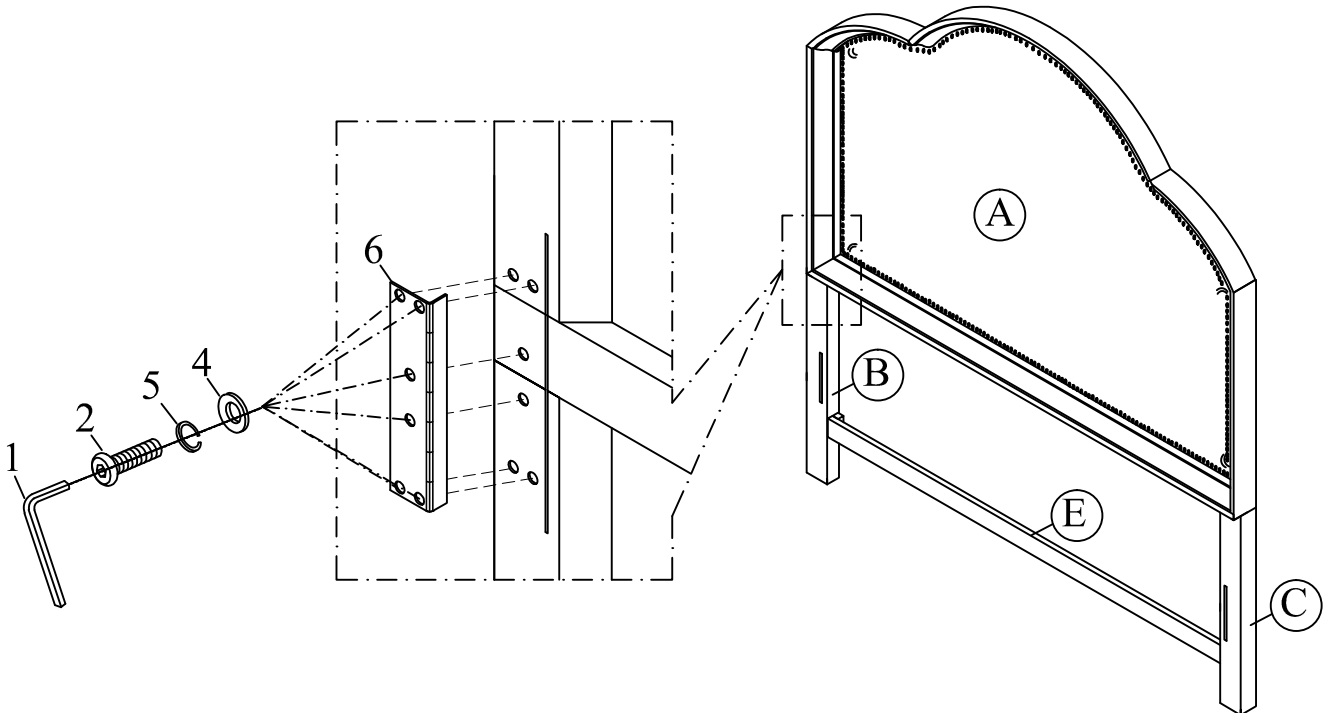
Z-B3 (BOX3)- Hardware pack is located in 203261KE (B3)

- 7  SCREW 8PCS

203261KE(B1)-BOX1

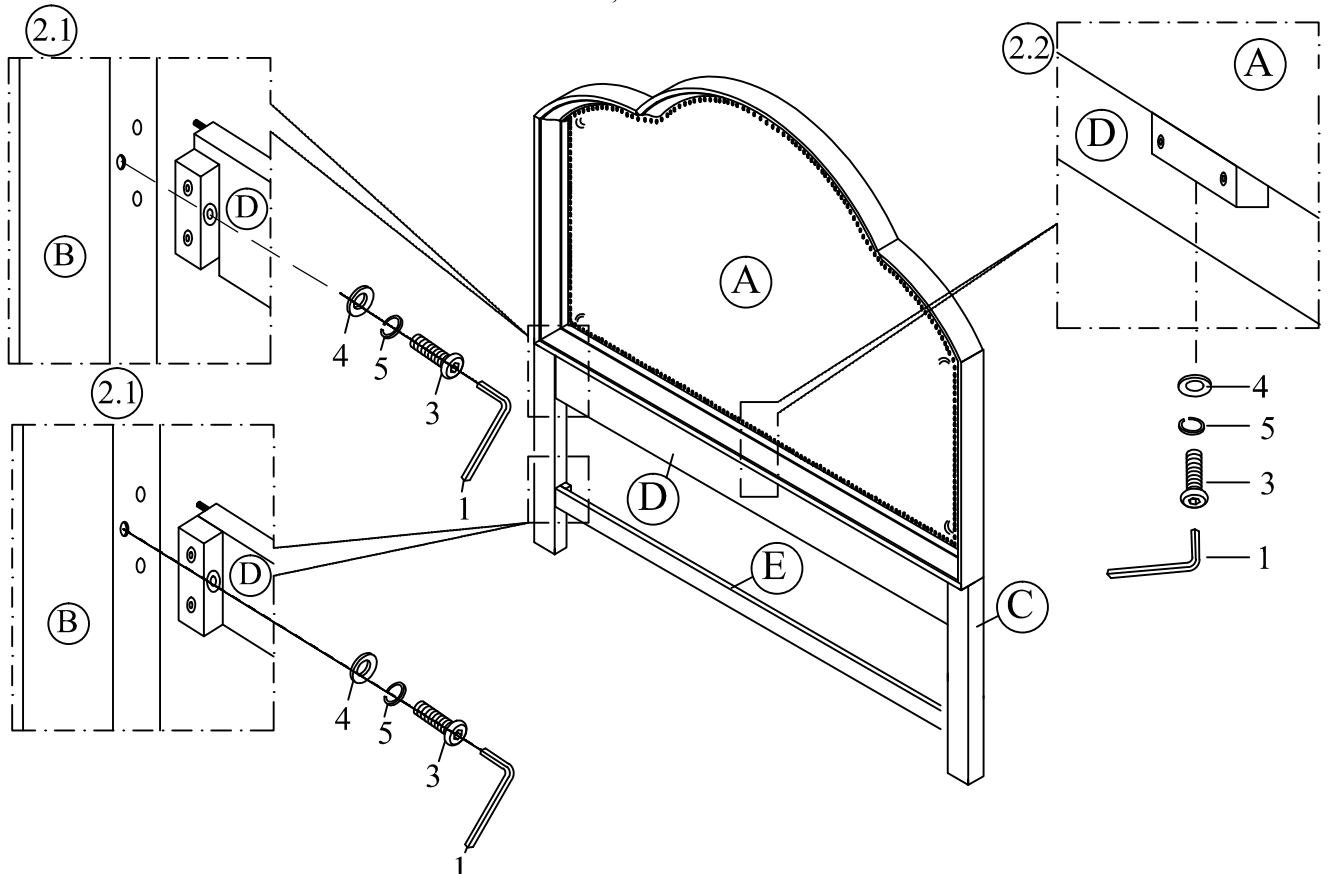
STEP 1

Align and fasten left and right headboard leg to headboard panel using metal cleat, short bolt, flat washer & lock washer. DO NOT FULLY TIGHTEN AT THIS STEP.



2.1) Align and fasten middle and bottom rail to left and right headboard leg using long bolt, lock washer and flat washer. DO NOT FULLY TIGHTEN AT THIS STEP.

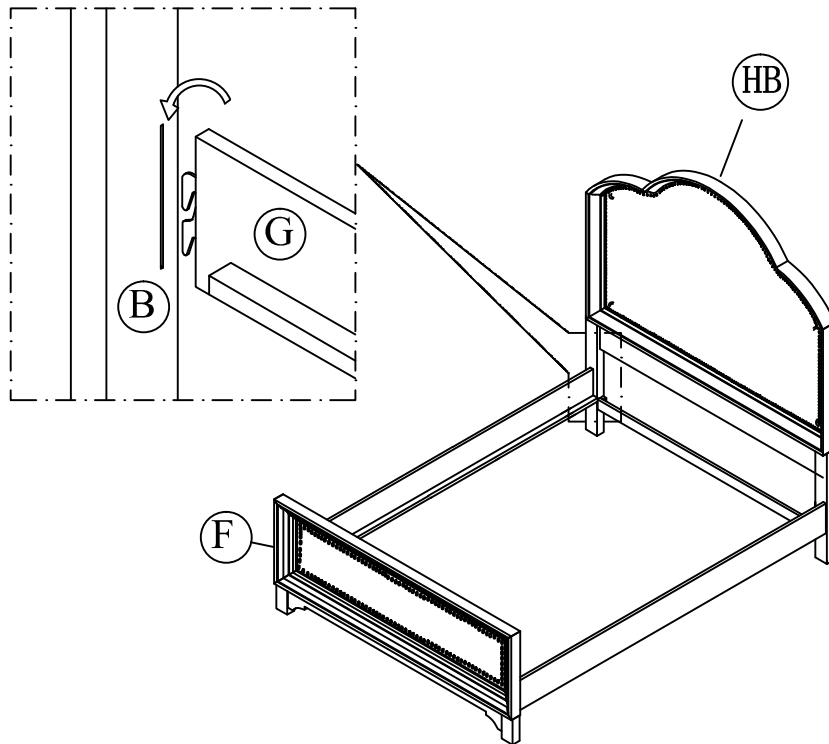
2.2) Align and fasten middle rail to headboard panel using long bolt, lock washer and flat washer. THEN FULLY TIGHTEN ALL THE BOLTS AT STEP 1, 2.1 AND 2.2 WITH ALLEN WRENCH.



203261KE(B1-B3)-BOX 1 TO BOX 3

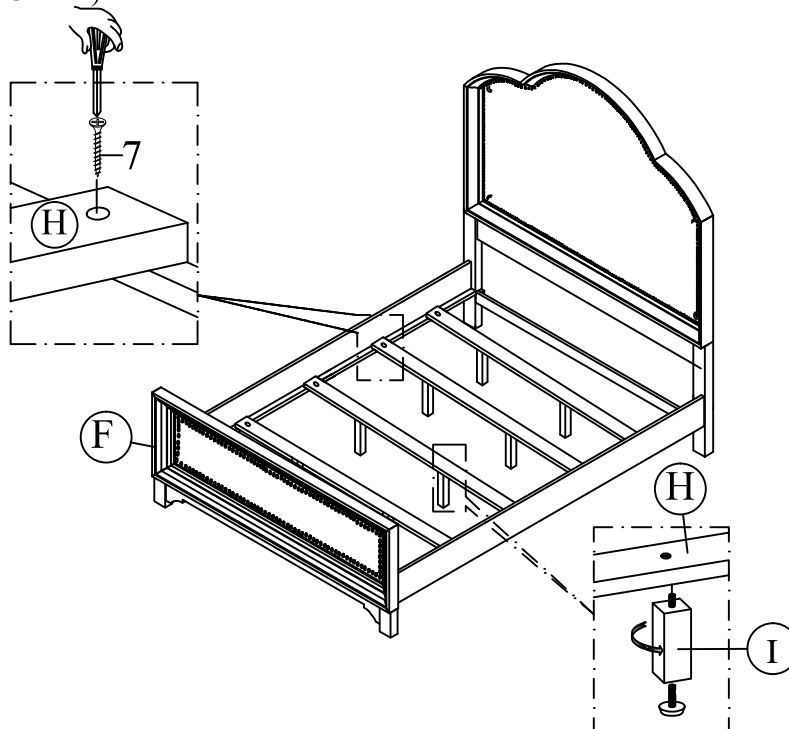
STEP3

Align and hook bed rail to headboard leg and footboard.



STEP4

- 4.1) Align and fasten bed slat support with leveler to bed slat by turning bed slat support clockwise until tight. Adjust leveler to touch the floor.
- 4.2) Align and fasten bed slat to bed rail using screw and tighten with screw driver (NOT INCLUDED)



STEP 5
Complete

